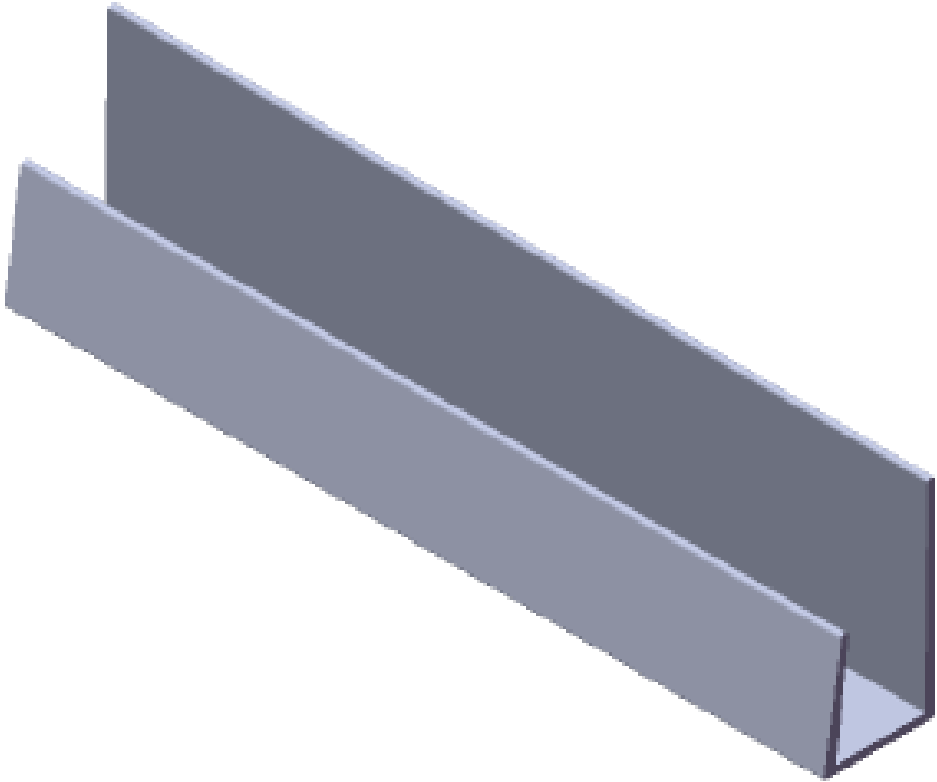
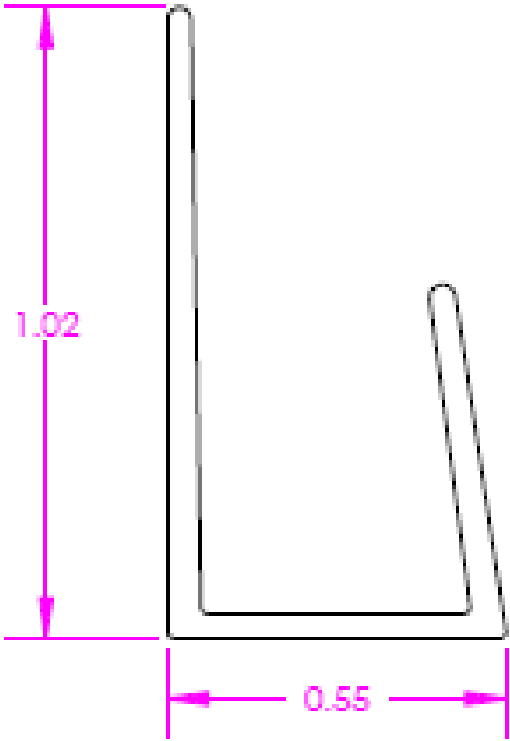


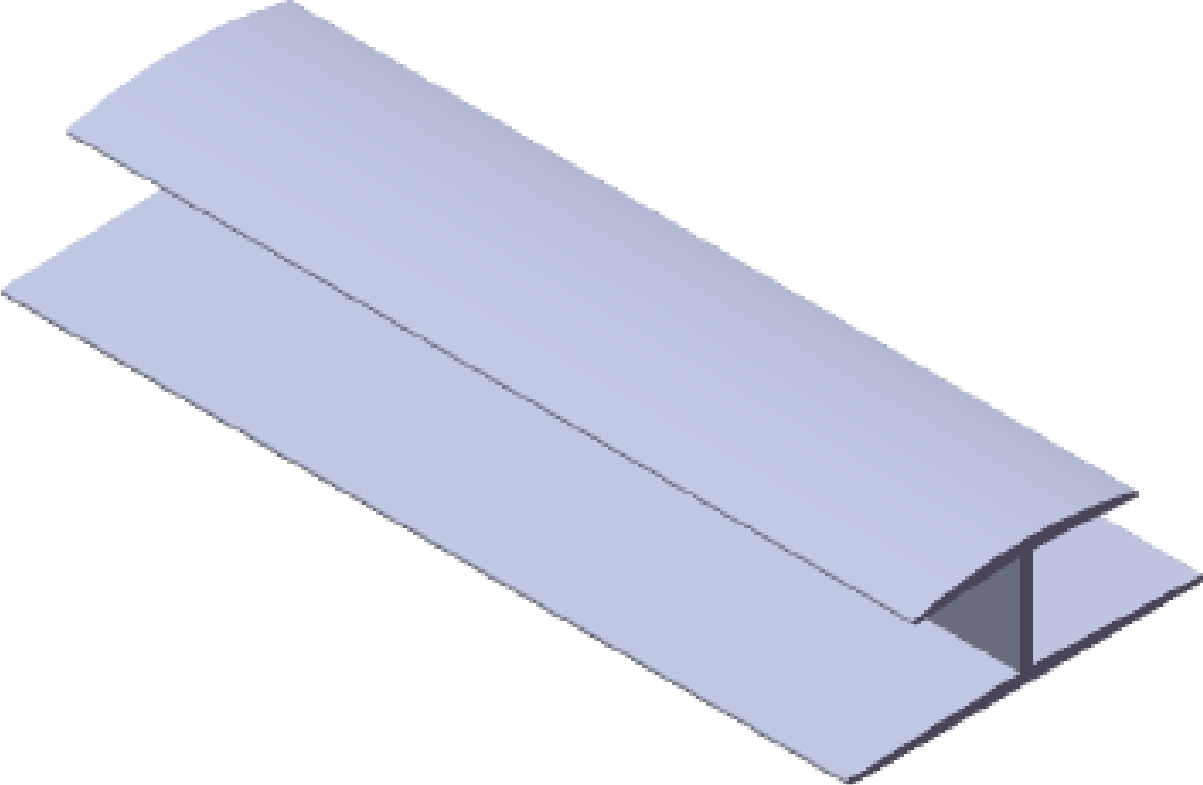
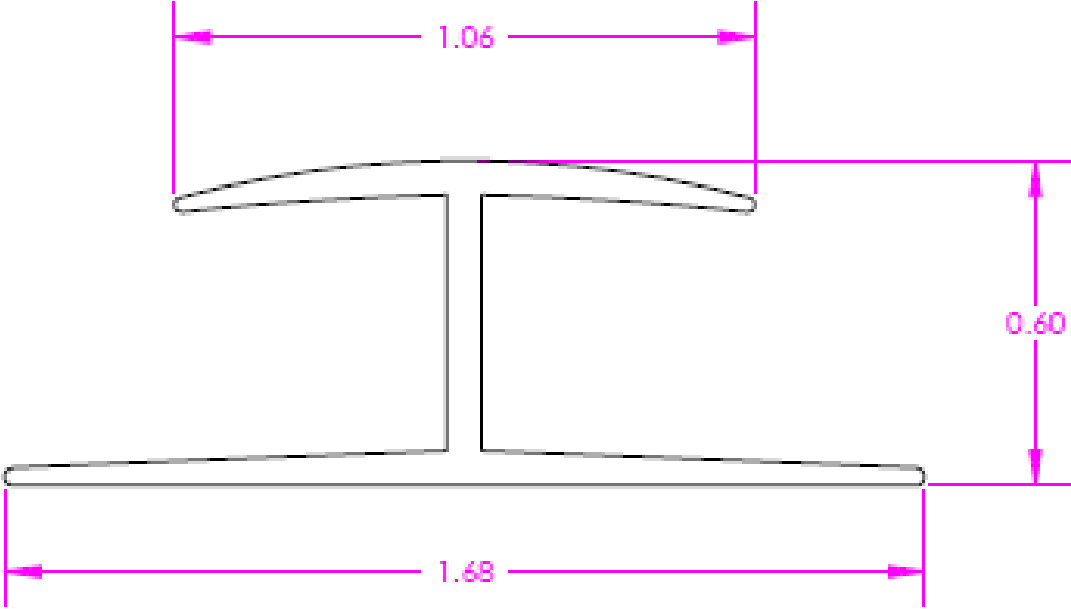
Utilite™ Edge Cap Molding

V-19 EDGE CAP - 8



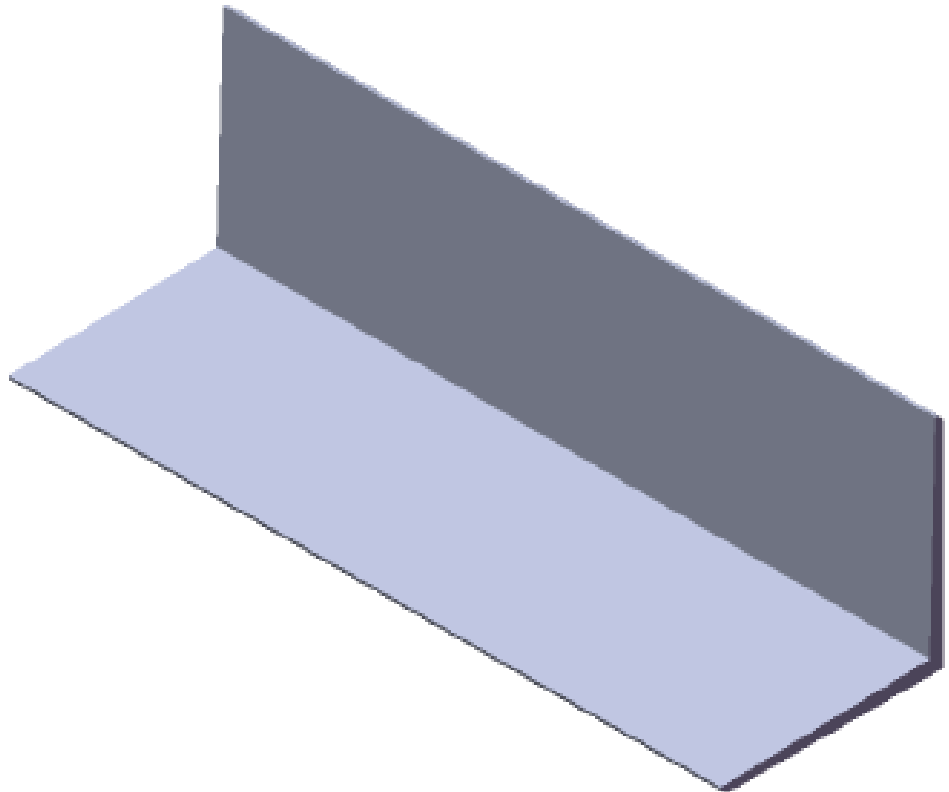
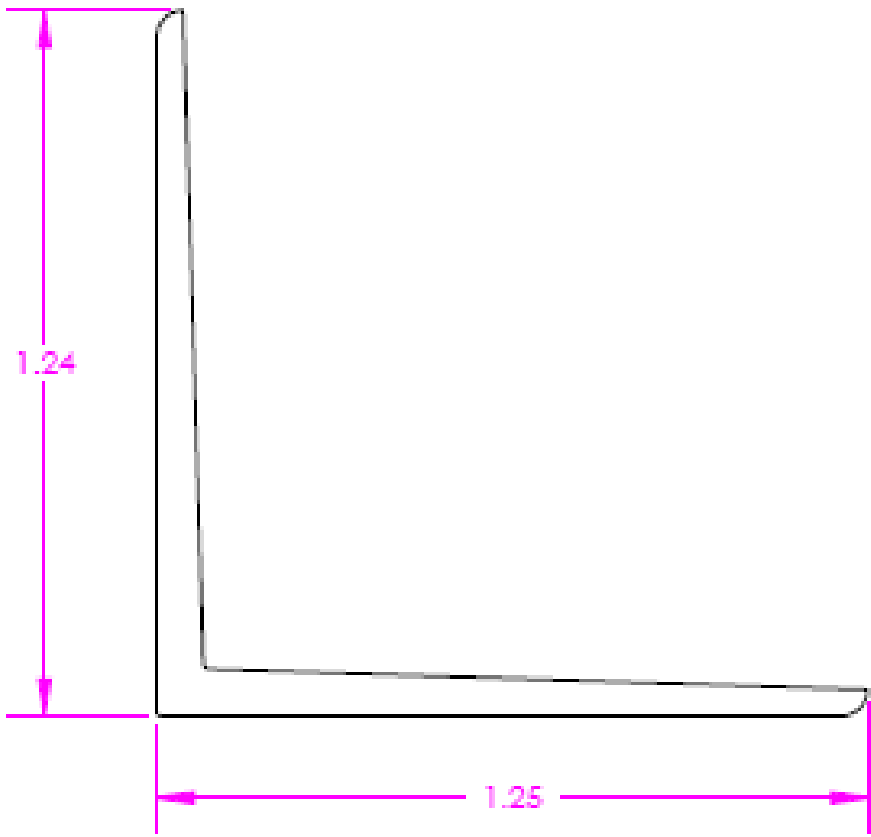
Utilite™ Division Bar Molding

V-9 DIVISION BAR - 8



Utilite™ Outside Corner Molding

V-15 OUTSIDE CORNER - 8



Utilite™ Inside Corner Molding

V-21 INSIDE CORNER - 8

