

Marcel Dining Chair

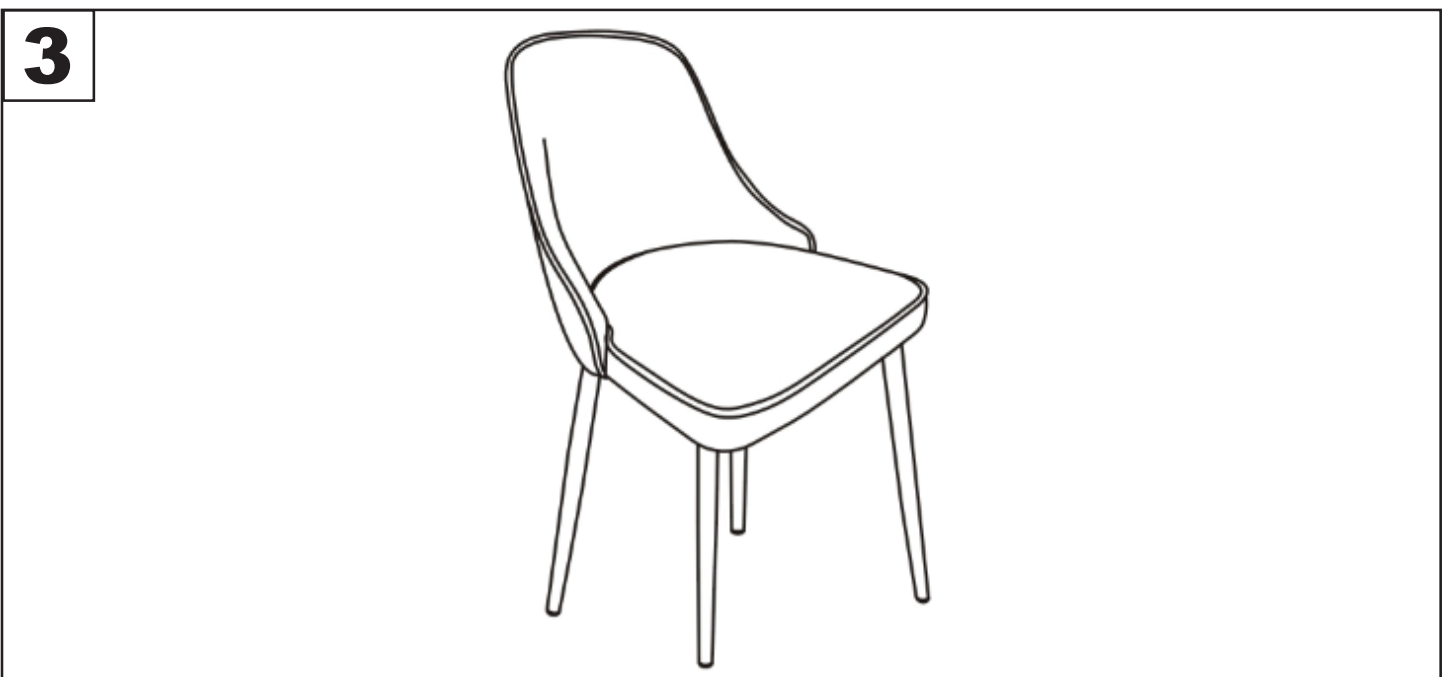
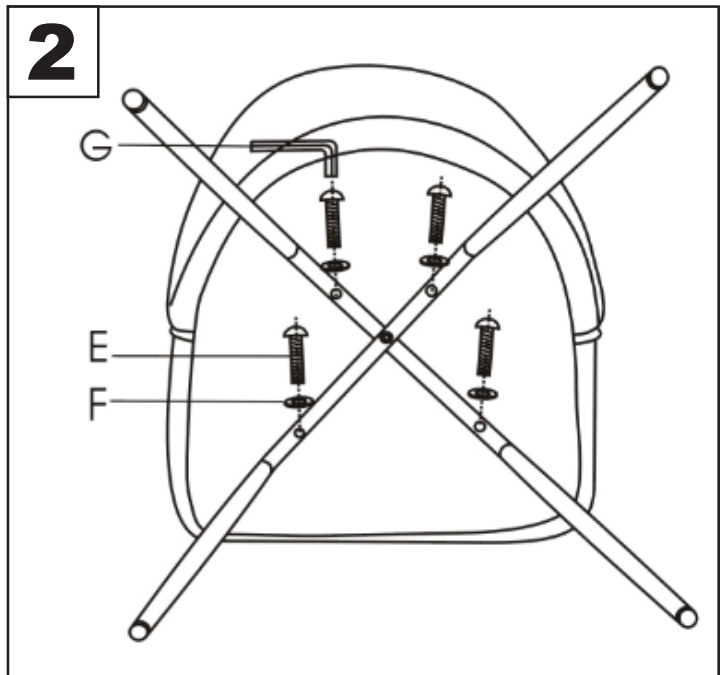
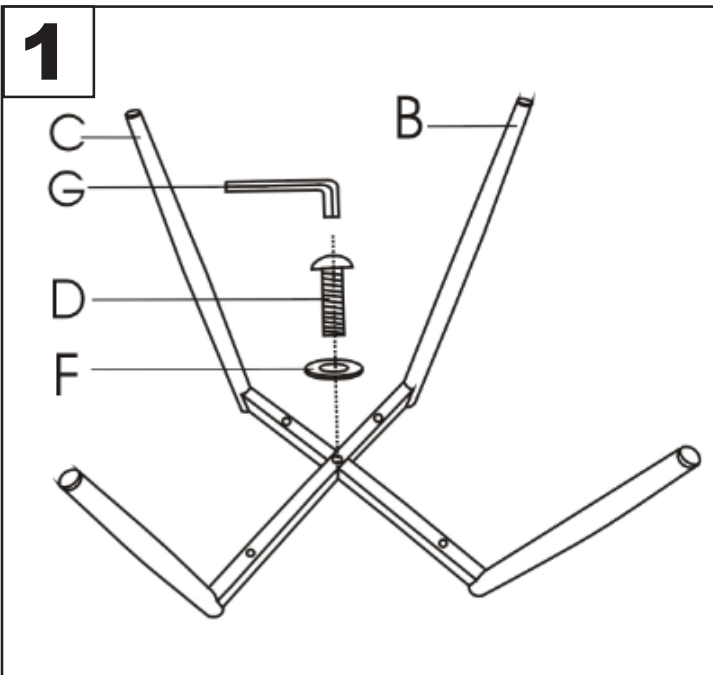
Part # DC-MARCL XX+XX

17-0525

PARTS

A B C D E F G

x1 (M6x35) x4 (M6x45) x5



Do not over tighten.
 Do not use power tools to assemble.