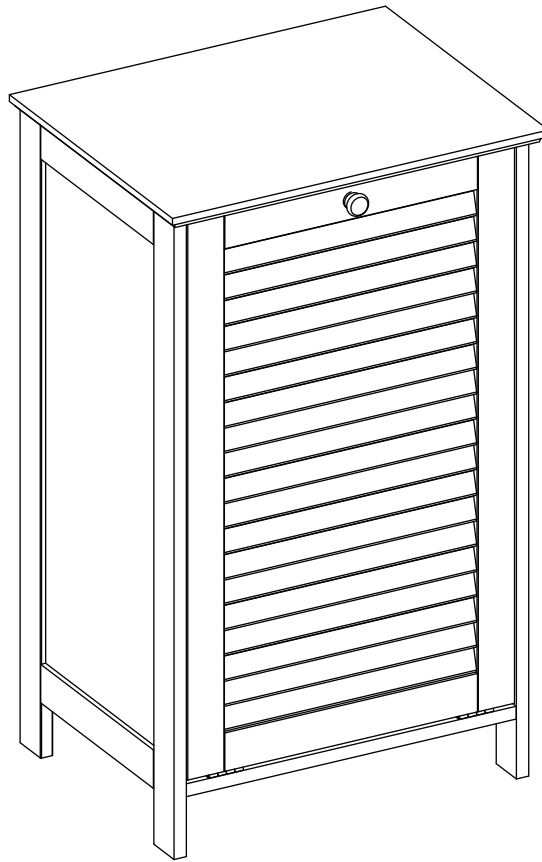




ASSEMBLY INSTRUCTIONS



RiverRidge® Ellsworth Tilt-Out Laundry Hamper

ITEM #: 06-140 White

ADULT ASSEMBLY REQUIRED

This product requires assembly by an adult because of small parts. Care should be taken in unpacking and assembling this item to keep small parts away from children. During assembly children should be kept away from the product due to possible risk of injury.

WARNING SEE FULL WARNING ON PAGE 2

Young children can be seriously injured or killed if furniture tips over.
Don't use this item for a TV stand or place heavy objects on top of item.
Always use angle-braces or anchors to secure furniture to the wall.

THIS UNIT WILL HOLD UP TO 25 POUNDS PER SHELF AND 15 POUNDS PER CLOTH HAMPER OR A TOTAL OF 40 POUNDS. DO NOT LOAD EACH SHELF WITH MORE THAN 25 POUNDS, EACH CLOTH HAMPER WITH MORE THAN 15 POUNDS OR 40 POUNDS TOTAL WEIGHT. IF OVERLOADED WITH MORE THAN 25 POUNDS PER SHELF, 15 POUNDS PER CLOTH HAMPER OR 40 POUNDS TOTAL WEIGHT, SHELF MAY TIP FROM THE WALL AND CAUSE SERIOUS INJURY OR DEATH.

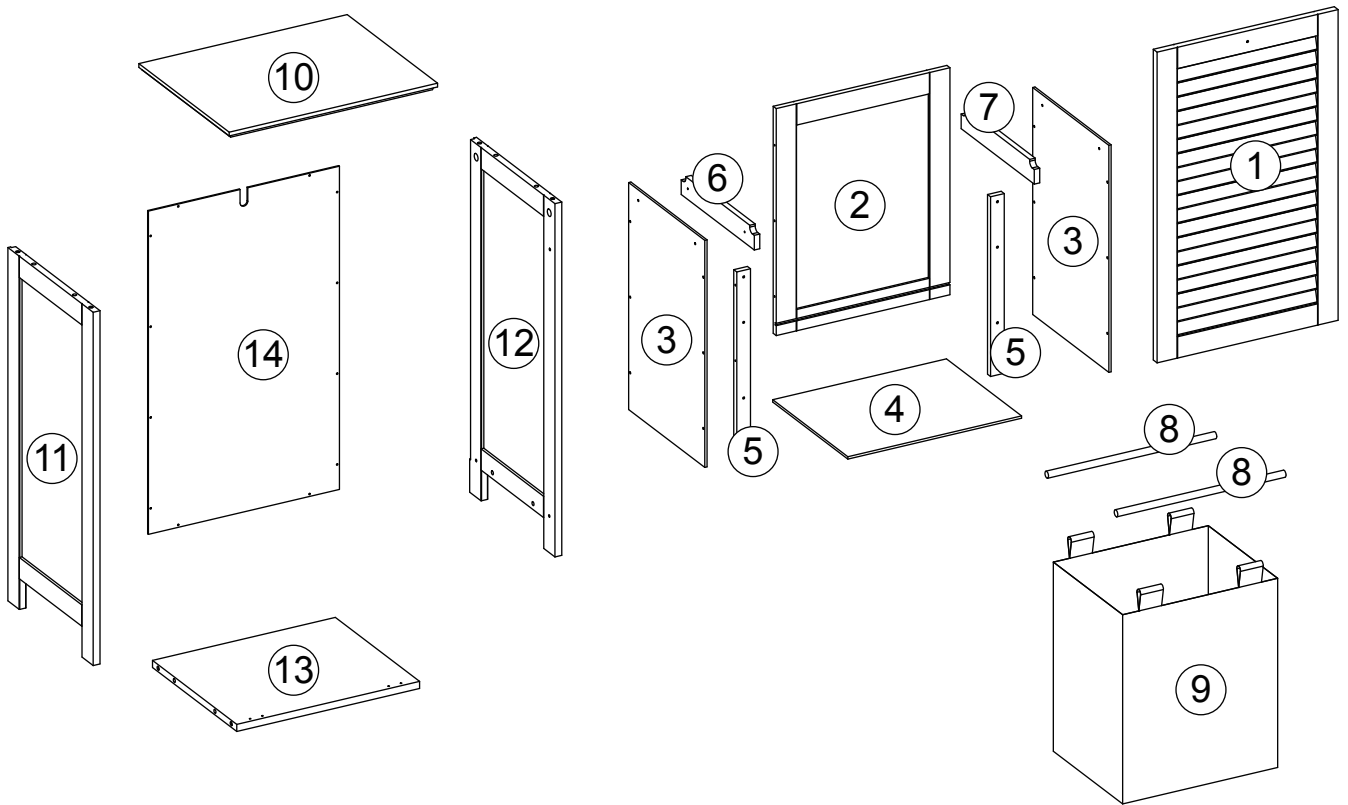


WARNING

SERIOUS OR FATAL INJURIES CAN OCCUR FROM FURNITURE TIP-OVER. TO HELP PREVENT TIP-OVER:

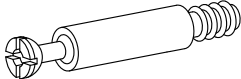

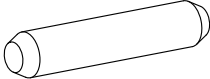
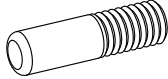
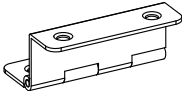
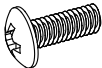


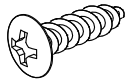
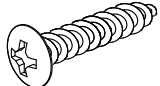
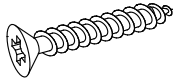
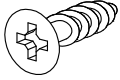
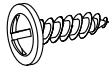
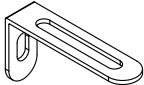
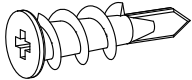
- **Always use tip over restraints and/or wall anchors to secure furniture to the wall**
- **Place heaviest items in the lowest drawers/bins or shelves**
- **Do not set TV's or other heavy objects on the top of this product**
- **Never allow children to climb or hang on to the drawers/bins, doors or shelves of furniture**
- **Never open more than one drawer at a time or defeat or remove any drawer interlock system**

PARTS LIST



NO	QTY	DESCRIPTION
1	1PC	Hamper Front Door
2	1PC	Hamper Back Panel
3	2PCS	Hamper Side Panel
4	1PC	Hamper Bottom Board
5	2PCS	Hamper Support Bar
6	1PC	Hamper Left Cross Bar
7	1PC	Hamper Right Cross Bar
8	2PCS	Wooden Rod
9	1PC	Cloth Hamper
10	1PC	Top Board
11	1PC	Left Side Panel
12	1PC	Right Side Panel
13	1PC	Bottom Board
14	1PC	Back Board

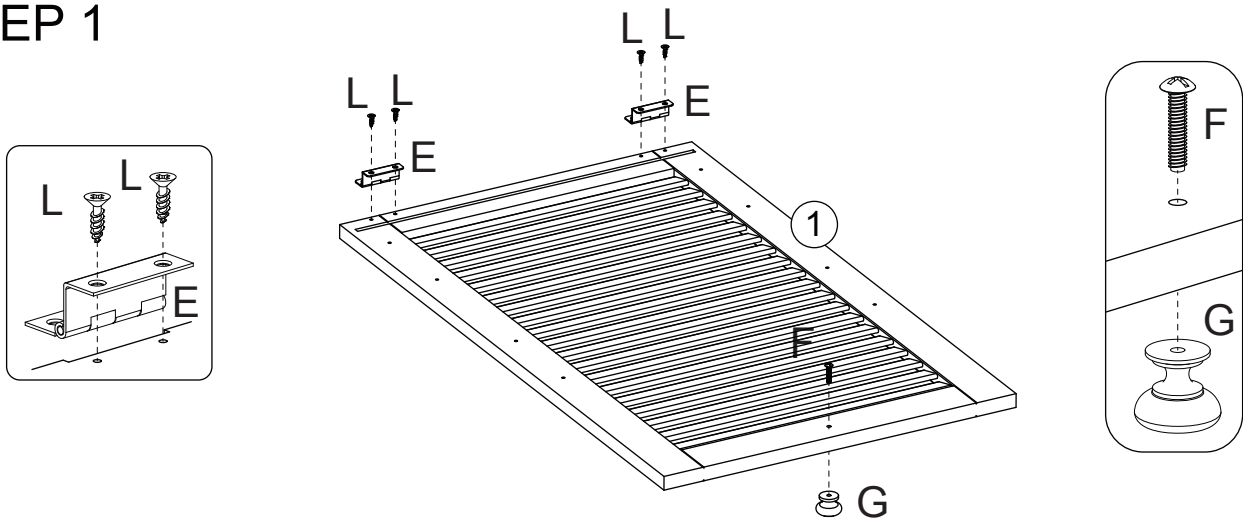
PARTS LIST

NO	PARTS	QTY	DESCRIPTION
A		8PCS	Cam Bolt
B		8PCS	Cam Lock
C		8PCS	Wood Dowel
D		2PCS	Hamper Stopper
E		2PCS	Hinge
F		1PC	Machine Screw (4x18mm)
G		1PC	Knob
H		1PC	Screw (4x10mm)
I		4PCS	Screw (4x15mm)
J		20PCS	Screw (4x20mm)
K		1PC	Screw (4x30mm)
L		8PCS	Screw (3x12mm)
M		12PCS	Screw (2.5x10mm)
N		1PC	Adjustable Anchor Bracket
O		1PC	Plastic Anchor

**TOOLS NEEDED FOR ASSEMBLY: FLAT & PHILLIPS SCREWDRIVER (NOT INCLUDED)
THE USE OF A POWER SCREWDRIVER IS NOT RECOMMENDED FOR ASSEMBLY
DO NOT USE ITEM IF ANY PARTS ARE MISSING OR DAMAGED**

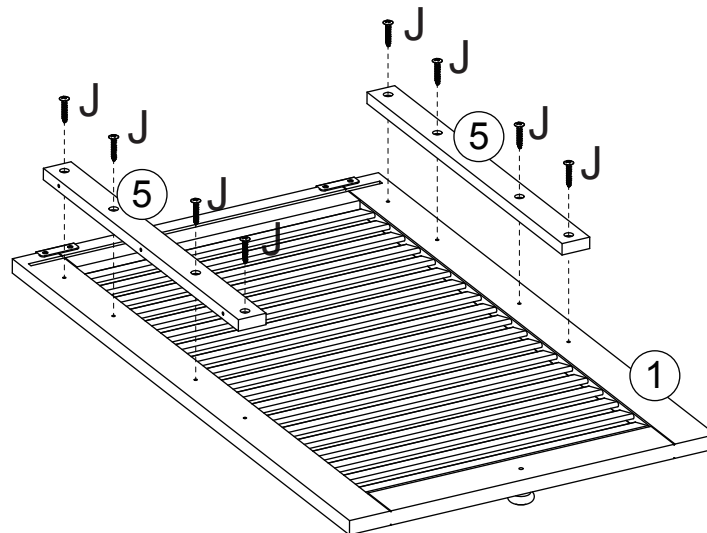
To order replacement parts at no cost to you, email customer.service@ssi-rr.com, call 1-(844)-223-5201 or order parts online at www.riverridgehome.com. Only valid in the United States. If purchased outside of the United States, please contact retailer where purchased.

STEP 1



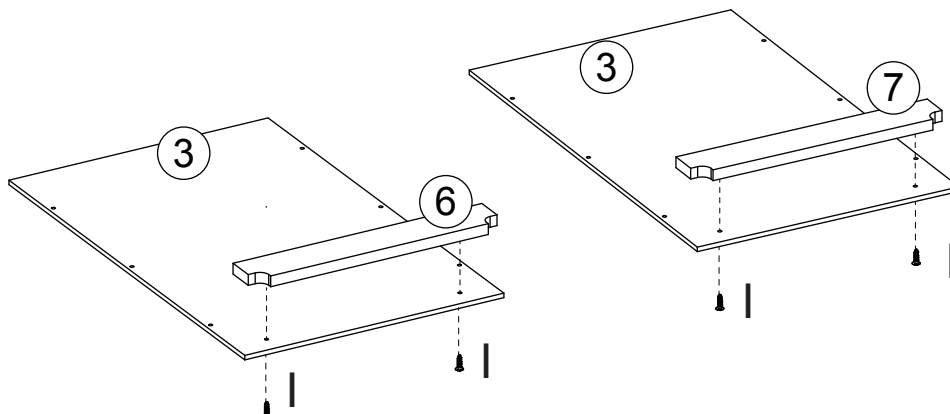
1. Attach 2 hinges (E) to hamper front door (1) by inserting 4 screws (L) through holes on hinges (E), then tighten to hamper front door (1).
2. Attach knob (G) to hamper front door (1) by inserting machine screw (F) through hole on hamper front door (1), then tighten to knob (G).

STEP 2



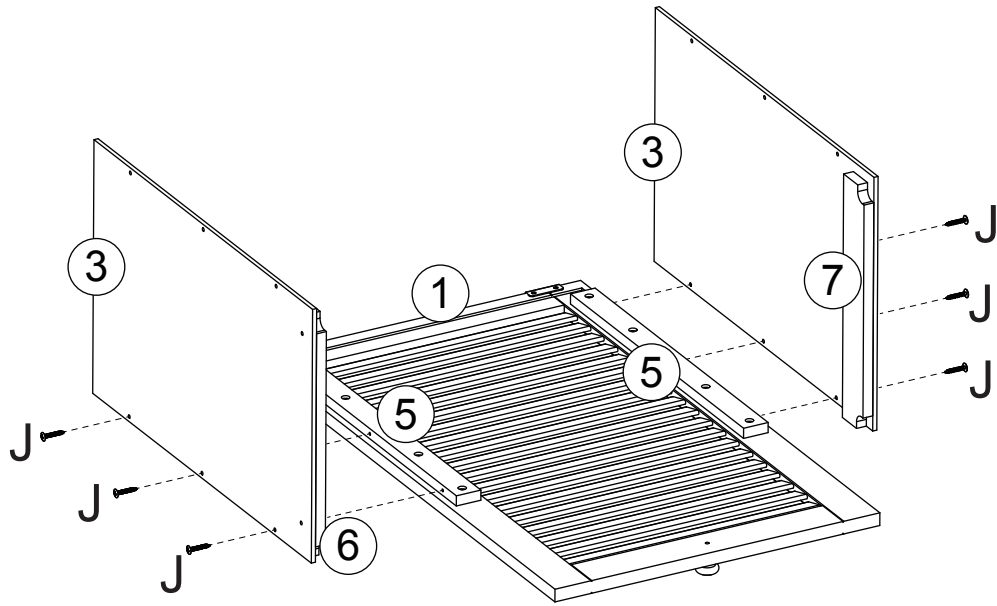
1. Attach 2 hamper support bars (5) to hamper front door (1) by inserting 8 screws (J) through holes on hamper support bars (5), then tighten to hamper front door (1).

STEP 3



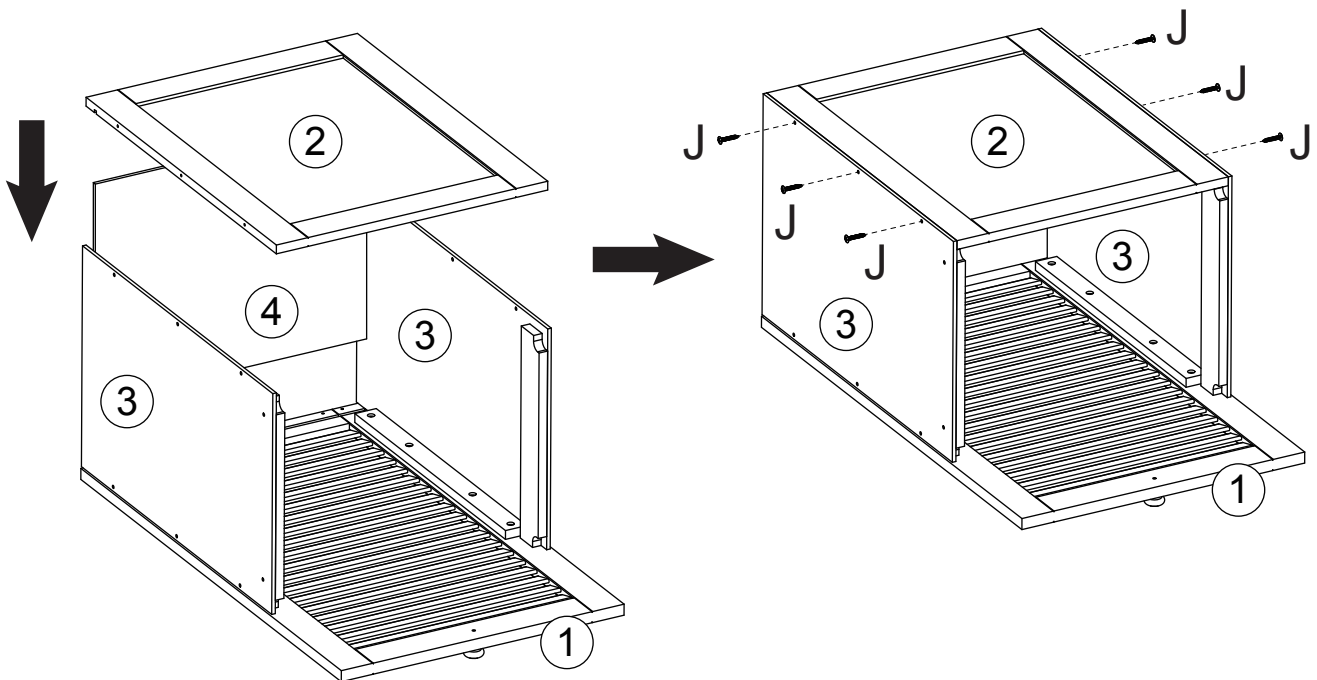
1. Attach hamper left cross bar (6) to hamper side panel (3) by inserting 2 screws (I) through holes on hamper side panel (3), then tighten to hamper left cross bar (6).
2. Repeat above step to assemble hamper right cross bar (7) to other hamper side panel (3).

STEP 4



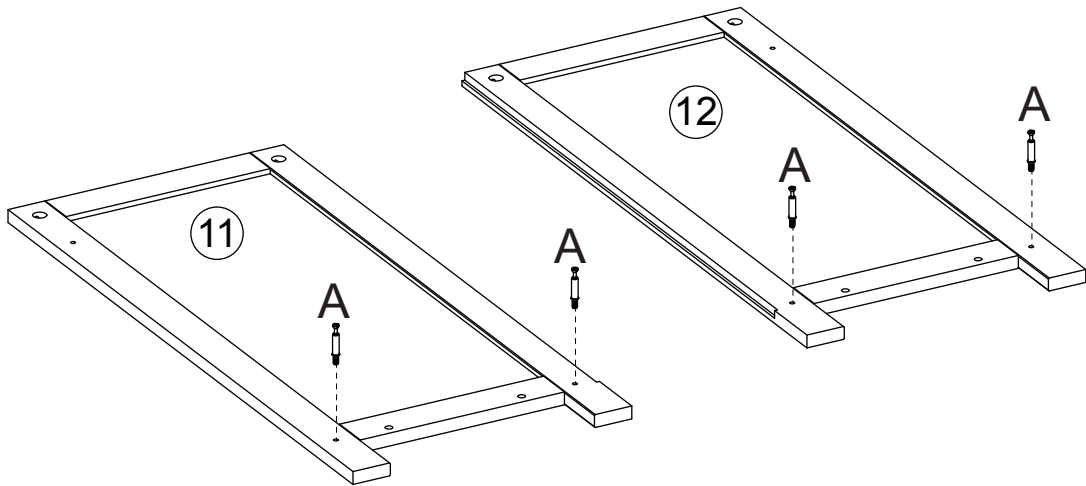
1. Attach 2 hamper side panels (3) to hamper front door (1) by inserting 6 screws (J) through holes on hamper side panels (3), then tighten to hamper support bars (5).

STEP 5



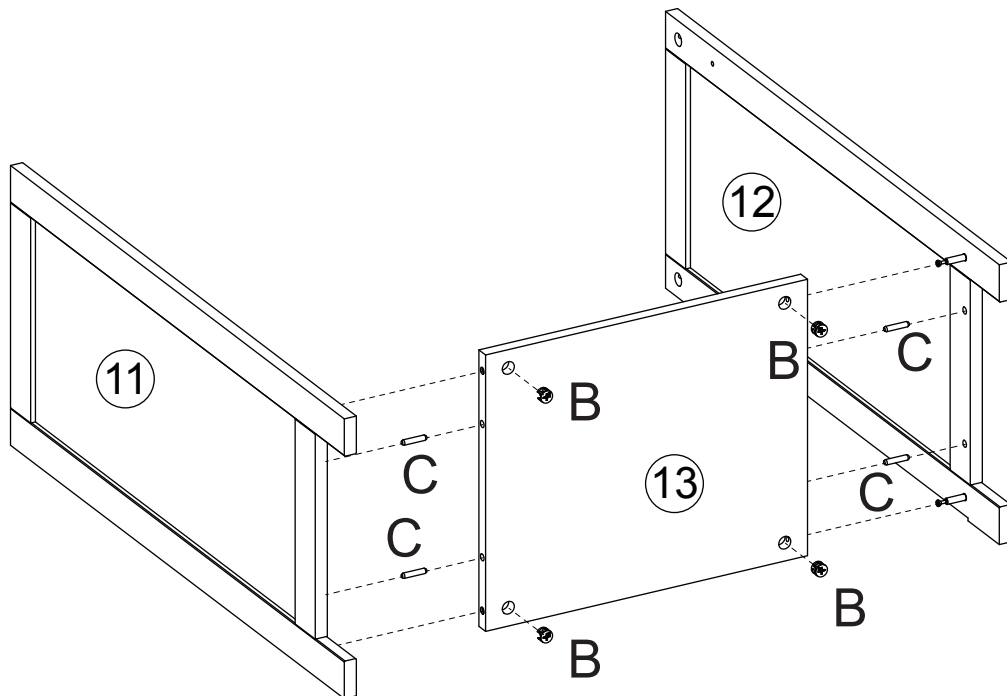
1. Slide hamper bottom board (4) into groove on hamper front door (1).
2. Attach hamper back panel (2) to hamper side panels (3) and hamper bottom board (4), make sure hamper bottom board (4) slides into groove on hamper back panel (2).
3. Insert 6 screws (J) through holes on hamper side panels (3), then tighten to hamper back panel (2).

STEP 6



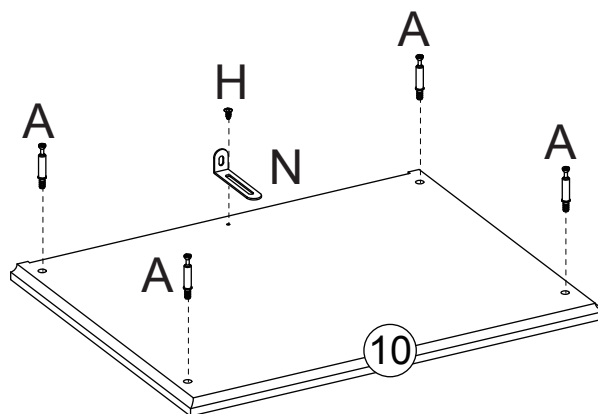
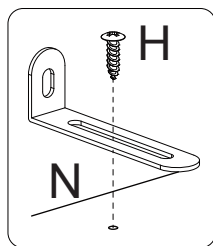
1. Screw 2 cam bolts (A) into cam bolt holes on left side panel (11).
2. Screw 2 cam bolts (A) into cam bolt holes on right side panel (12).

STEP 7



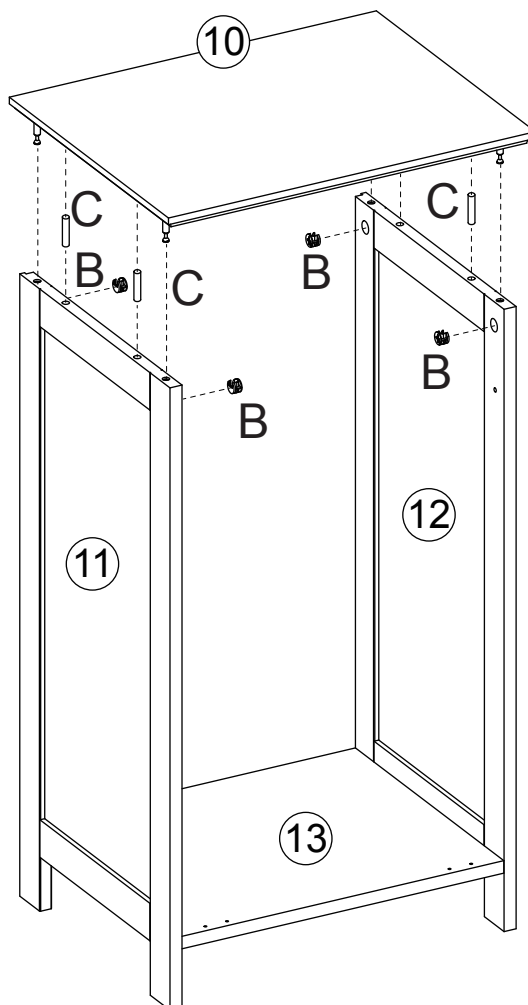
1. Insert 4 wood dowels (C) into wood dowel holes on left side panel (11) and right side panel (12).
2. Attach bottom board (13) to left side panel (11) by inserting cam bolts (A) into cam lock holes and inserting wood dowels (C) into wood dowel holes on bottom board (13).
3. Insert 2 cam locks (B) into cam lock holes, then rotate clockwise to secure cam bolts (A) in place.
4. Repeat above steps to assemble right side panel (12) to bottom board (13).

STEP 8



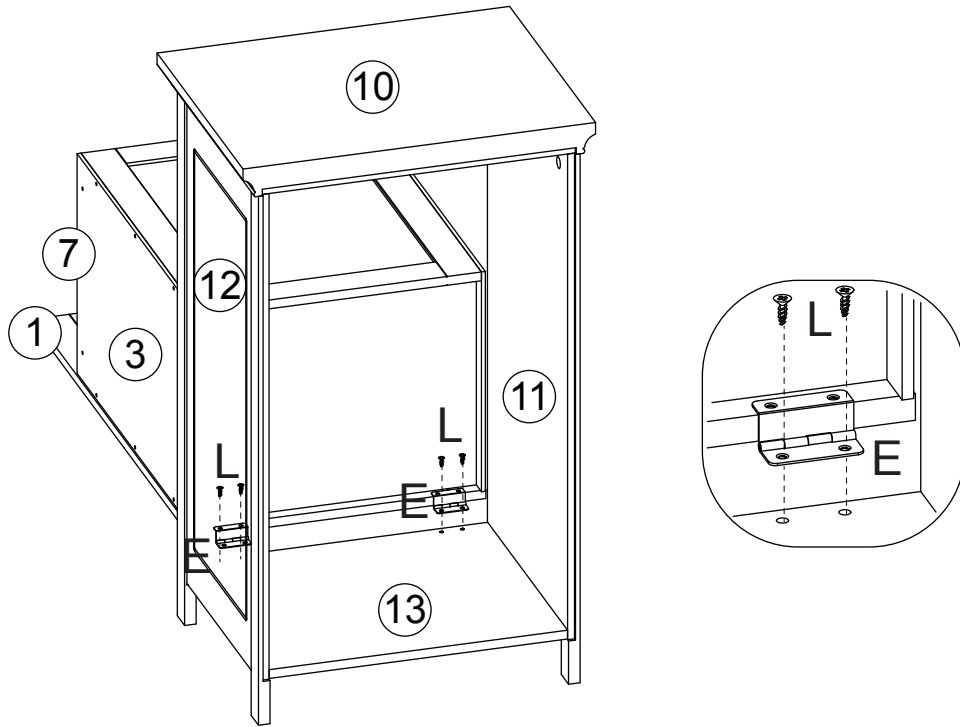
1. Screw 4 cam bolts (A) into cam bolt holes on top board (10).
2. Attach adjustable anchor bracket (N) to top board (10) by inserting 1 screw (H) through hole on adjustable anchor bracket (N), then tighten to top board (10).

STEP 9



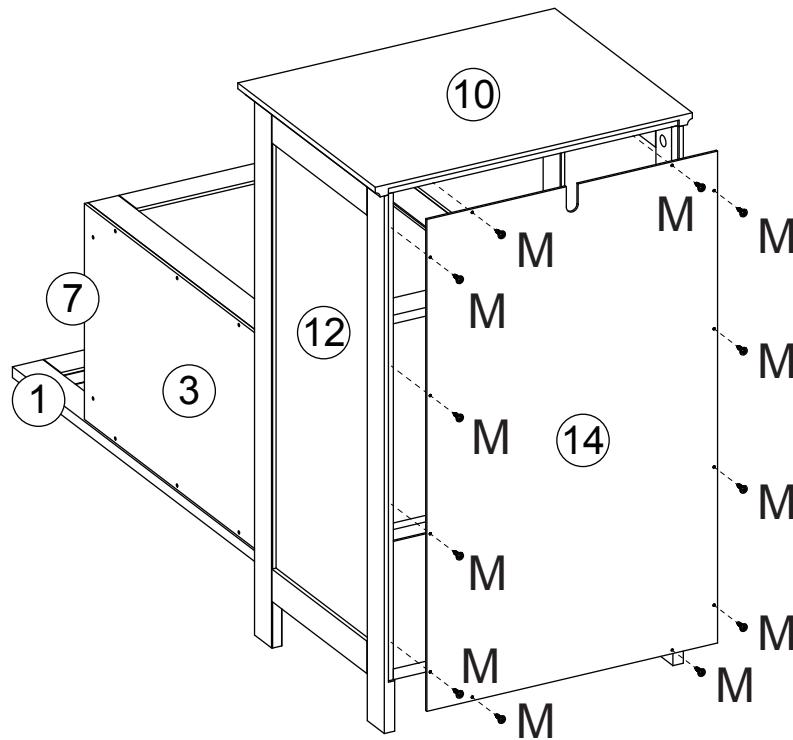
1. Insert 4 wood dowels (C) into wood dowel holes on top board (10).
2. Attach top board (10) to left side panel (11) and right side panel (12) by inserting wood dowels (C) into wood dowel holes and inserting cam bolts (A) into cam lock holes on left side panel (11) and right side panel (12).
3. Insert 4 cam locks (B) into cam lock holes on left side panel (11) and right side panel (12), then rotate clockwise to secure cam bolts (A) in place.

STEP 10



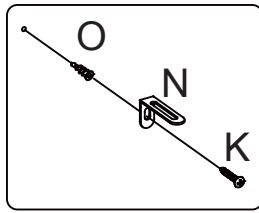
1. Attach assembled hamper to outside cabinet by inserting 4 screws (L) through hinges (E), then tighten to bottom board (13).

STEP 11

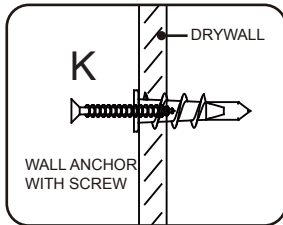


1. Attach back board (14) to back of cabinet by inserting 12 screws (M) through holes on back board (14), then tighten to back of cabinet.

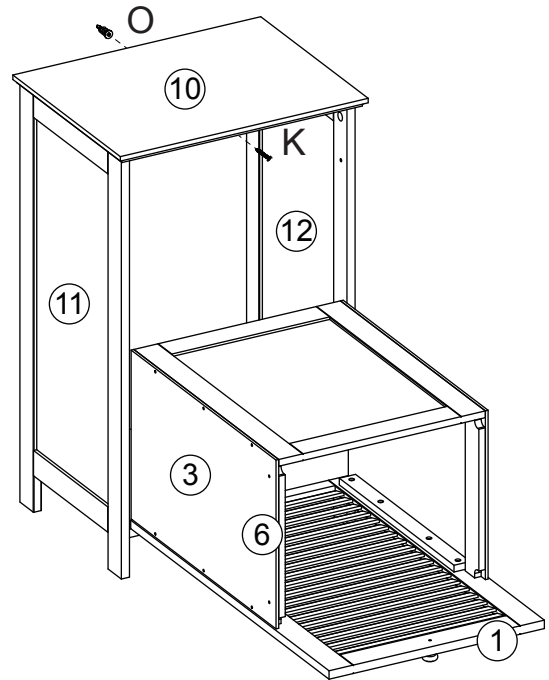
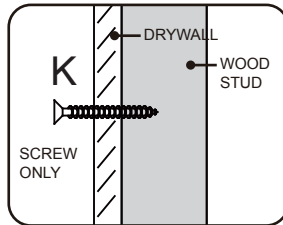
STEP 12



OPTION #1



OPTION #2



Option #1: Securing to Drywall

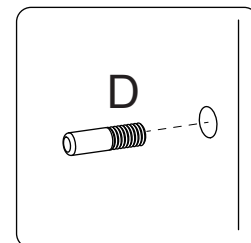
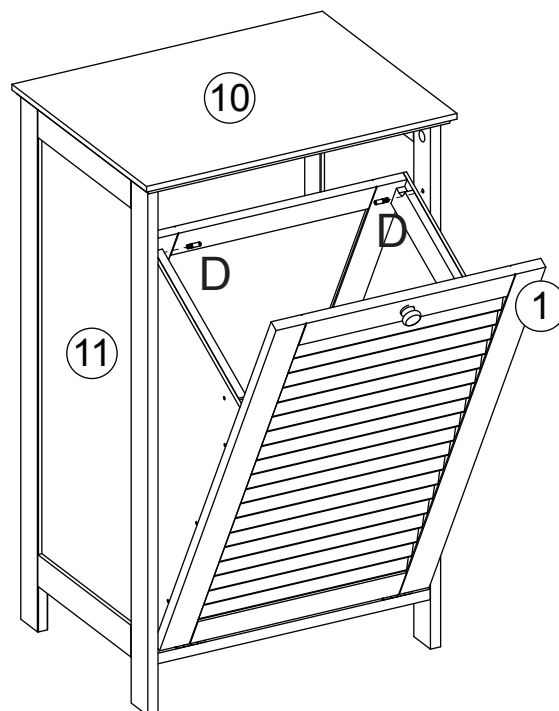
1. Position cabinet against wall in desired location. Using a pencil, make 1 small mark on wall through hole on bracket (N). Move cabinet away from wall and screw 1 plastic anchor (O) into wall on pencil mark.
2. Place cabinet against wall, insert 1 screw (K) through hole on bracket (N), then tighten to plastic anchor (O).

Option #2: Securing to Drywall and Wood Stud

1. Position cabinet against wall in desired location. Insert 1 screw (K) through hole on bracket (N), then tighten through drywall and into wood stud.

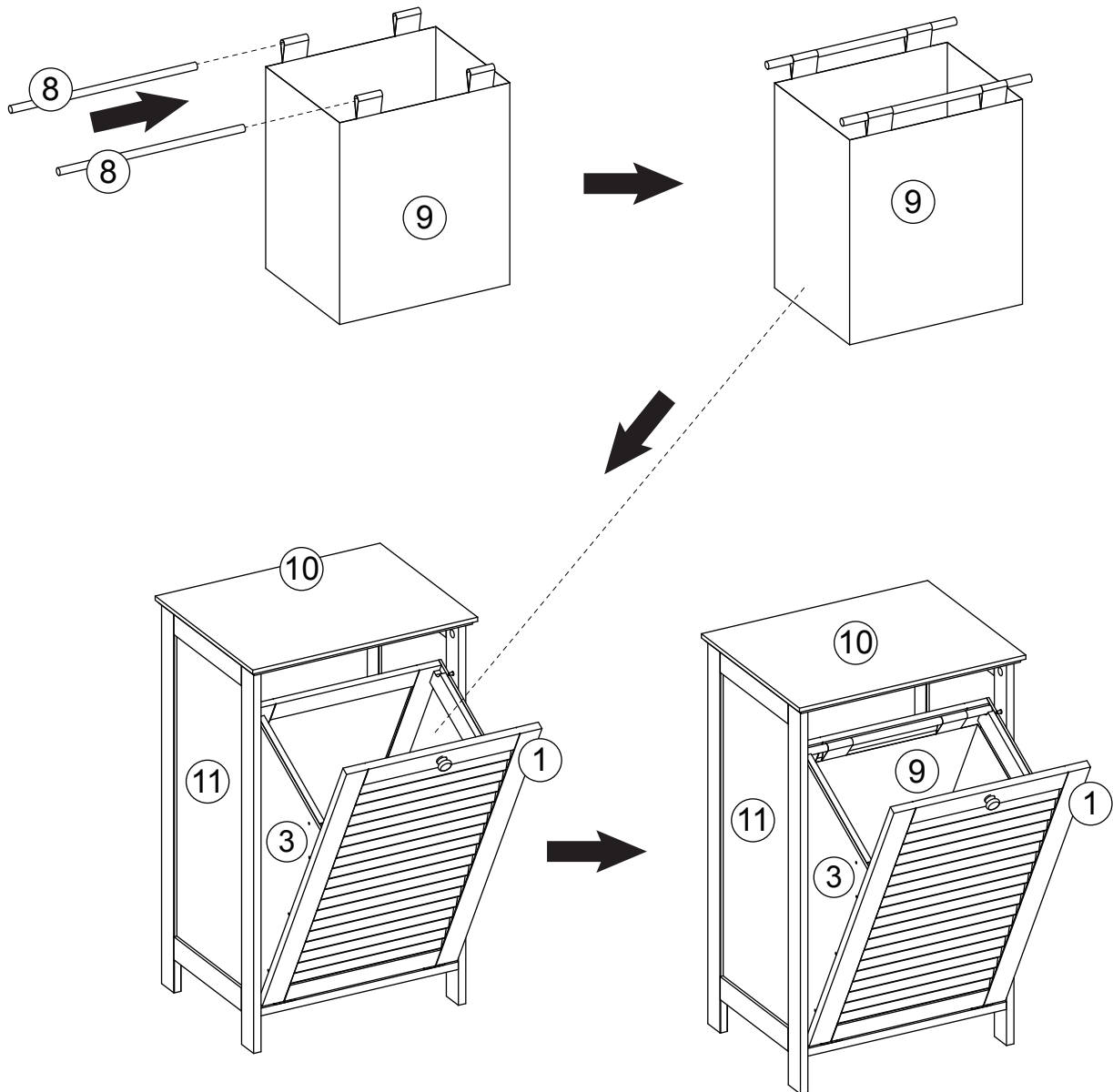
*Tip: Anchor bracket (N) can be adjusted to correct distance from wall to cabinet as needed. Once adjusted, be sure to re-tighten bracket inside cabinet for stability.

STEP 13



1. Insert 2 hamper stoppers (D) into holes on left side panel (11) and right side panel (12).

STEP 14



1. Insert 2 wooden rods (8) through tabs on cloth hamper (9).
2. Place wooden rods (8) and cloth hamper (9) in cabinet as shown. Insert wooden rods (8) into grooves on hamper side panels (3) to avoid movement.

ATTENTION ADULTS: Cabinet should be checked periodically for damage or loose screws/parts. Take appropriate action necessary to correct hazards such as tightening of screws and taking any damaged parts away from children.

WARNING  Please make sure your item is secured to the wall, per assembly instructions.

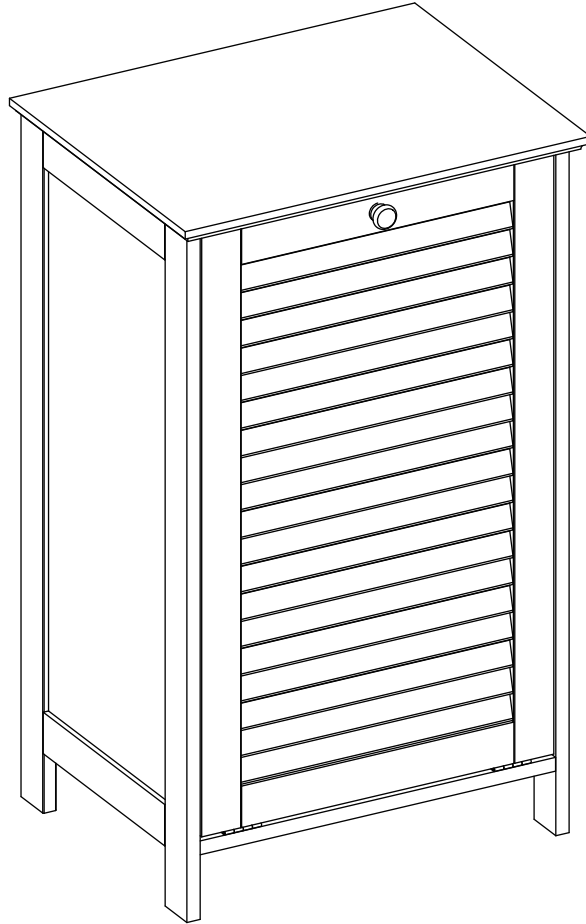
CARE INSTRUCTIONS:

Wipe clean with a water dampened cloth. Wipe dry with clean cloth.

IMPORTANT:

Keep assembly instructions for future reference.

Enjoy Your New RiverRidge® Hamper!



Thank you for purchasing this RiverRidge® Home item. We hope you enjoy it and consider purchasing other RiverRidge® items.

To order replacement parts at no cost to you, email customer.service@ssi-rr.com, call 1-(844)-223-5201 or order parts online at www.riverridgehome.com. Only valid in the United States. If purchased outside of the United States, please contact retailer where purchased.



RiverRidge® is a registered trademark of Sourcing Solutions, Inc., Hudson, WI 54016