

RYOBI
40 V Power Head
Item No. RY40001B
Mfg. No. 311114008
Repair sheet

TECHTRONIC INDUSTRIES POWER EQUIPMENT

P.O. Box 1288
Anderson, SC 29622
Phone 1-800-860-4050
www.ryobitools.com

RYOBI POWER HEAD – ITEM NO. RY40001B

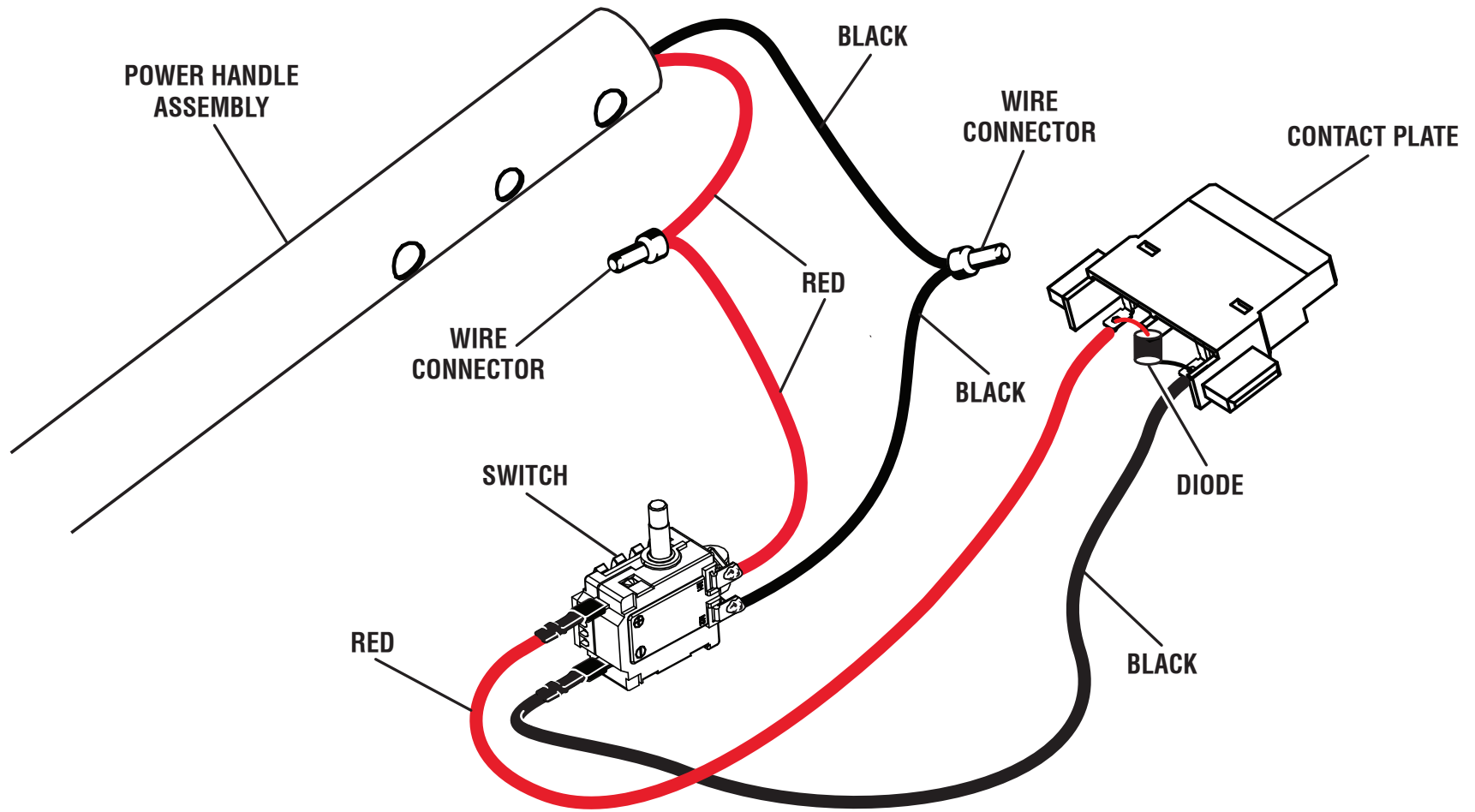
The model number will be found on a label attached to the **UPPER TUBE ASSEMBLY**. Always mention the model number of your **POWER HEAD** when requesting service or ordering repair parts.

KEY NO.	PART NUMBER	DESCRIPTION	QTY
1	314756001	Rear Handle Assembly (Inc. Key No. 3).....	1
2	661817001	Screw (M4 x 14 mm, T15 Torx Pan Hd.).....	9
3	941545002	Logo Label.....	2
4	660208104	Screw (M4 x 30 mm, T15 Torx Pan Hd.).....	1
5	941851099	Data Label.....	1
6	314794001	Upper Tube Assembly (Inc. Key Nos. 5 and 7).....	1
7	941851103	Warning Icon Label.....	1
8	679973002	Compression Spring (Trigger Lock).....	1
9	525589001	Lock Off Button (Trigger Lock).....	1
10	525590001	Switch Trigger.....	1
11	679973001	Compression Spring (Trigger).....	1
12	314755001	Switch and Contact Plate Assembly.....	1
13	790009004	Wire Connector.....	2
14	680196006	Hex Nut (M6).....	1
15	310921001	Bracket Assembly.....	1
16	314754001	Handle Knob Assembly.....	1
17	311158001	Auxiliary Handle Assembly (Inc. Key Nos. 14-16).....	1

Not Shown

995000646 Operator's Manual (RY40050, RY40001B)
 998000009 Operator's Manual (RY40506)

9-26-19
 (Rev:02)



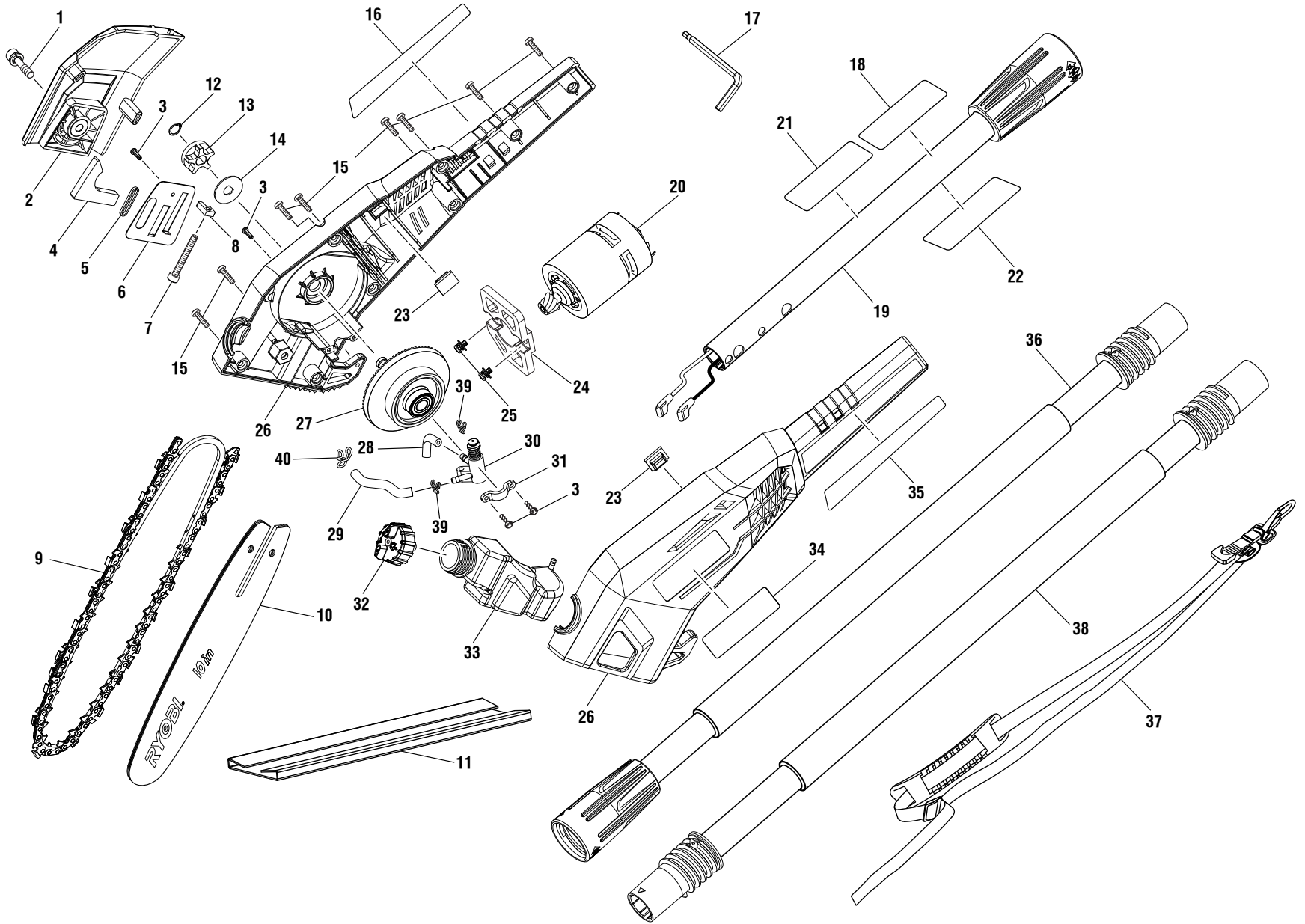
WIRING DIAGRAM

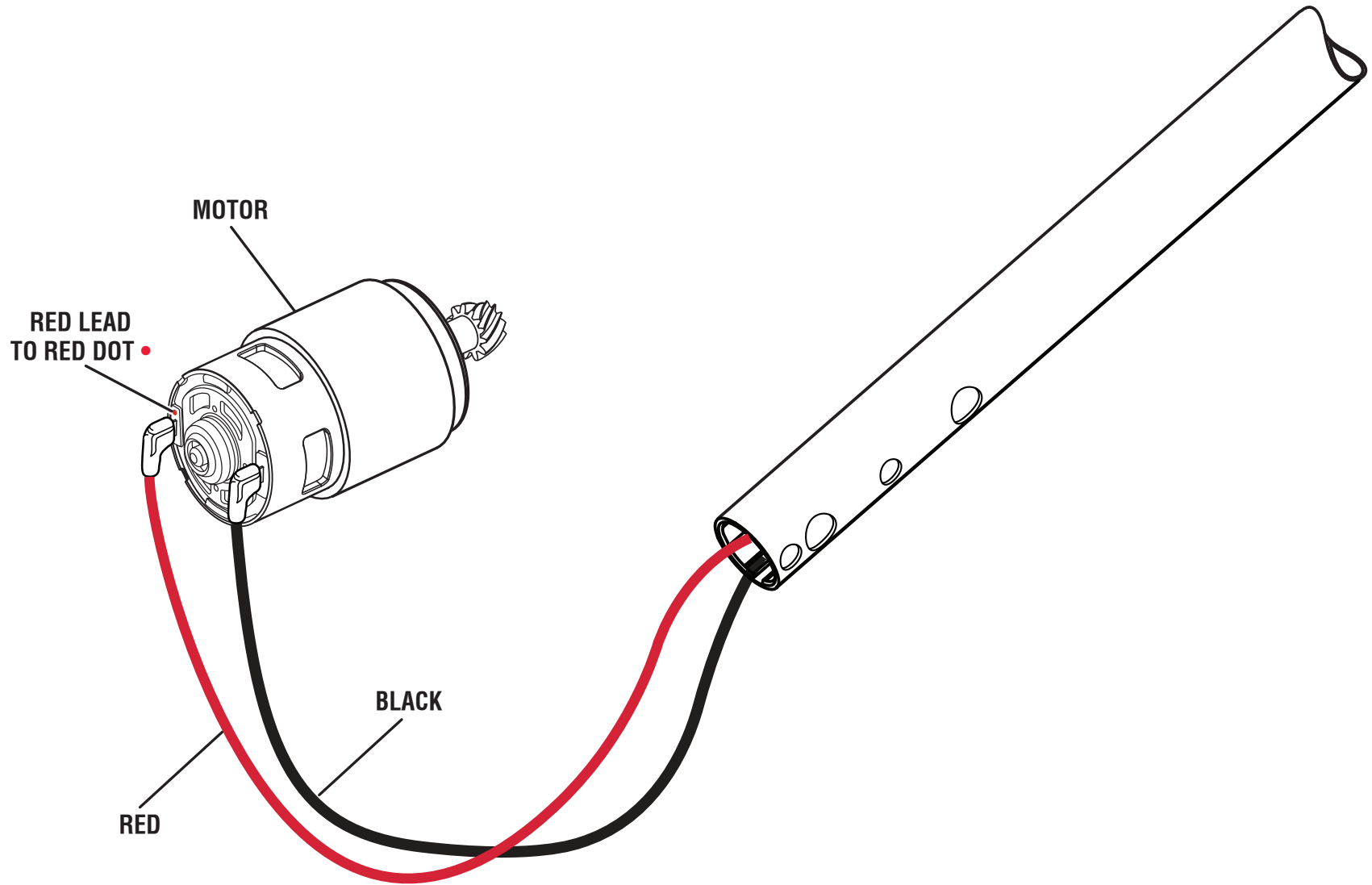
RYOBI
Pole Saw Attachment
Item No. RY40051/RY40051VNM
Mfg. No. 311069004/316199001
Repair Sheet

TECHTRONIC INDUSTRIES POWER EQUIPMENT

P.O. Box 1288
Anderson, SC 29622
Phone 1-800-860-4050
www.ryobitools.com

RYOBI POLE SAW ATTACHMENT - ITEM NO. RY40051/RY40051VNM





WIRING DIAGRAM