



**Count on it.**

**Parts Catalog**

**Power Max<sup>®</sup> Heavy Duty 928  
OAE Snowthrower**

Model No. 38840—Serial No. 400000000 and Up



# Ordering Replacement Parts

To order replacement parts, please supply the part number, the quantity, and the description of each part desired.

## Understanding Reference Numbers

Each identified part in an illustration has a reference number. The reference number for a part also appears in the parts list, along with other information about the part.

This catalog uses two special reference number formats, one to indicate parts in a service assembly and another to indicate the quantity of a given part in an illustration.

## Service Assembly Reference Numbers

Parts in service assemblies have reference numbers in the form a:b. The a represents the reference number of the entire service assembly and the b represents a sequential number unique to each part within the service assembly.

For example, a wheel assembly might be identified by reference number 6, the tire by 6:1, the valve by 6:2, and the wheel by 6:3. When you order the assembly identified by reference number 6, you receive all parts identified by reference numbers 6:1, 6:2, and 6:3. However, you may also order any part individually. Reference numbers of this type appear in illustration and in parts lists.

## Reference Numbers Indicating Quantity

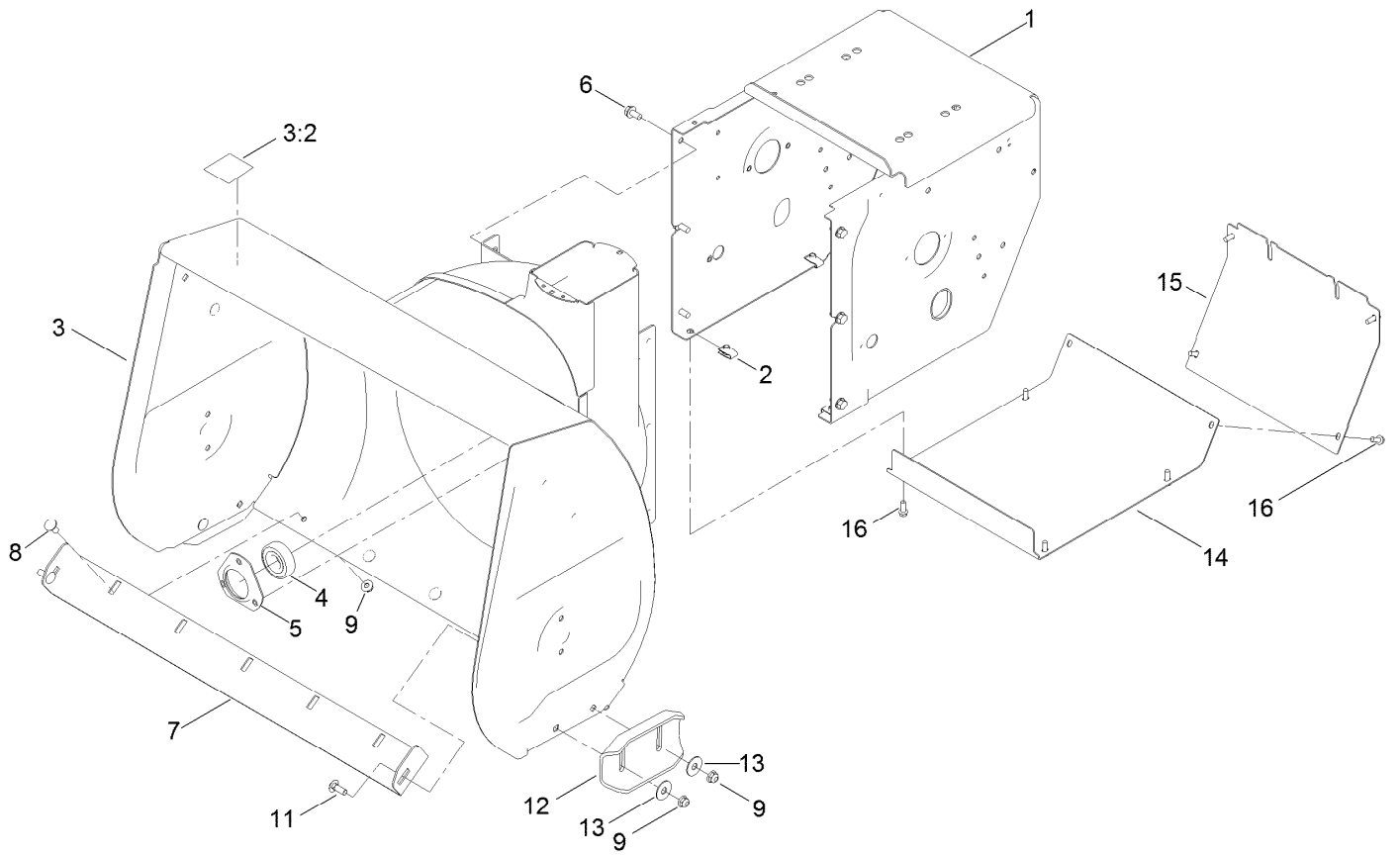
In an illustration, if a reference number indicates more than one part, the reference number has the form nX y. The n represents the quantity of the part, the X is the multiplication symbol, and the y represents the reference number.

For example, in an illustration, the reference number 2X 37 means that two of the parts identified by reference number 37 are indicated.

# Contents

Housing Assembly .....	4
Auger Drive Assembly .....	6
Gear Case Assembly .....	8
Engine Assembly .....	10
Engine Decal Assembly .....	12
Engine Assembly No. 1.....	14
Engine Assembly No. 2.....	16
Engine Assembly No. 3.....	18
Chute Assembly .....	20
Chute Control Assembly .....	22
Handle Assembly .....	24
Friction Wheel Assembly.....	26
Autoturn Drive Assembly.....	28
Attachments and Accessories .....	30

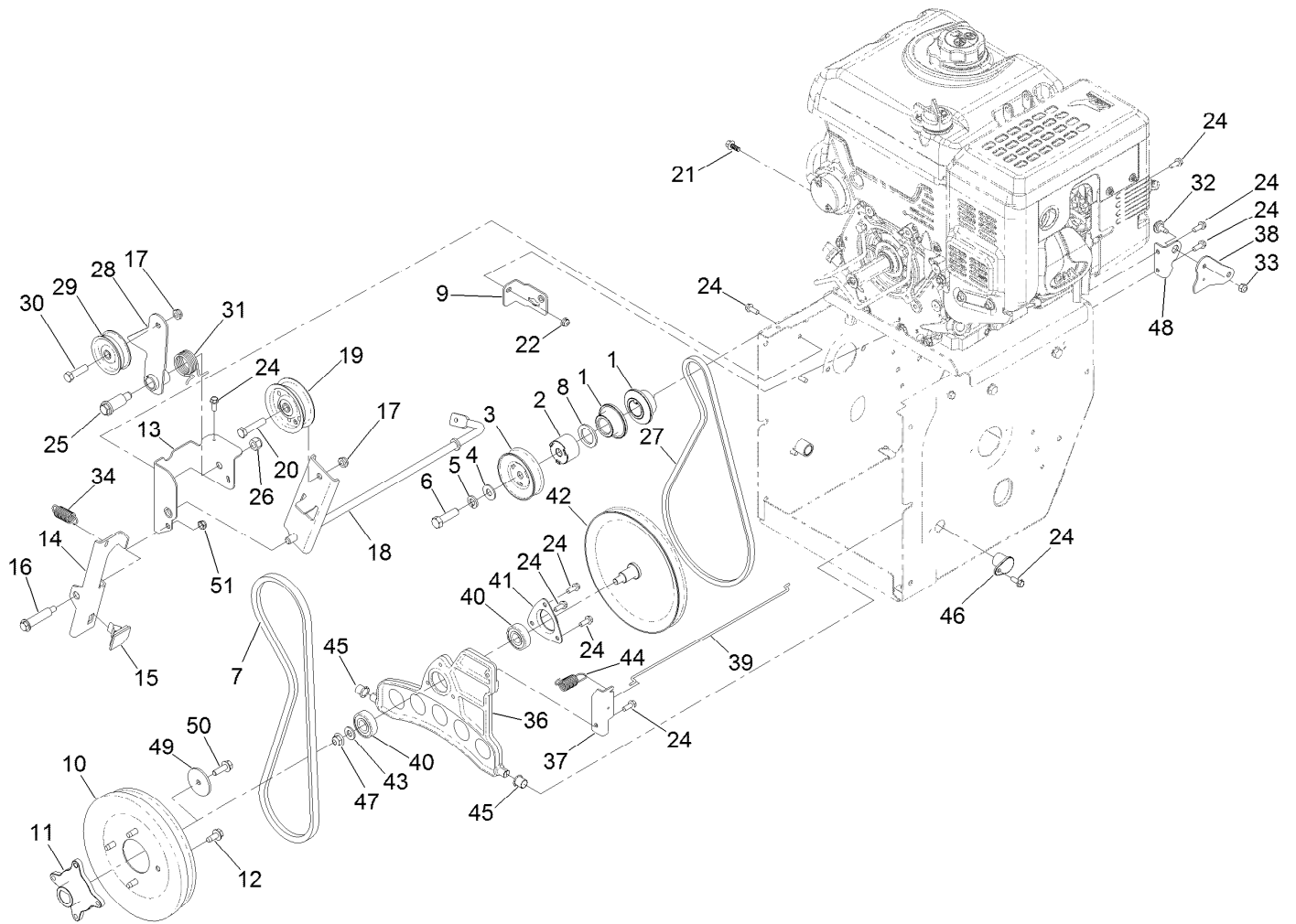
# Housing Assembly



## Housing Assembly (continued)

<i>Ref.</i>	<i>Part Number</i>	<i>Qty.</i>	<i>Description</i>	<i>Ref.</i>	<i>Part Number</i>	<i>Qty.</i>	<i>Description</i>
1	136-6639-01	1	Frame-Traction	8	137-3061	5	Bolt-CARR
2	107069	8	Clip	9	119-4041	9	Nut-HF
3	139-1562	1	Auger-Housing	11	137-3059	4	Bolt-CARR
3:2	107-3040	1	Decal-Danger, Auger	12	106-4588-01	2	Skid
4	136-6571	1	Bearing-Ball	13	119-4150	4	Washer-Flat
5	136-6573	1	Retainer-Bearing	14	136-6650-01	1	Cover-Bottom
6	32144-14	6	Screw-HWHTF	15	136-6651-01	1	Cover-Rear
7	136-6588-01	1	Blade-Scraper	16	32144-85	11	Screw-HWH

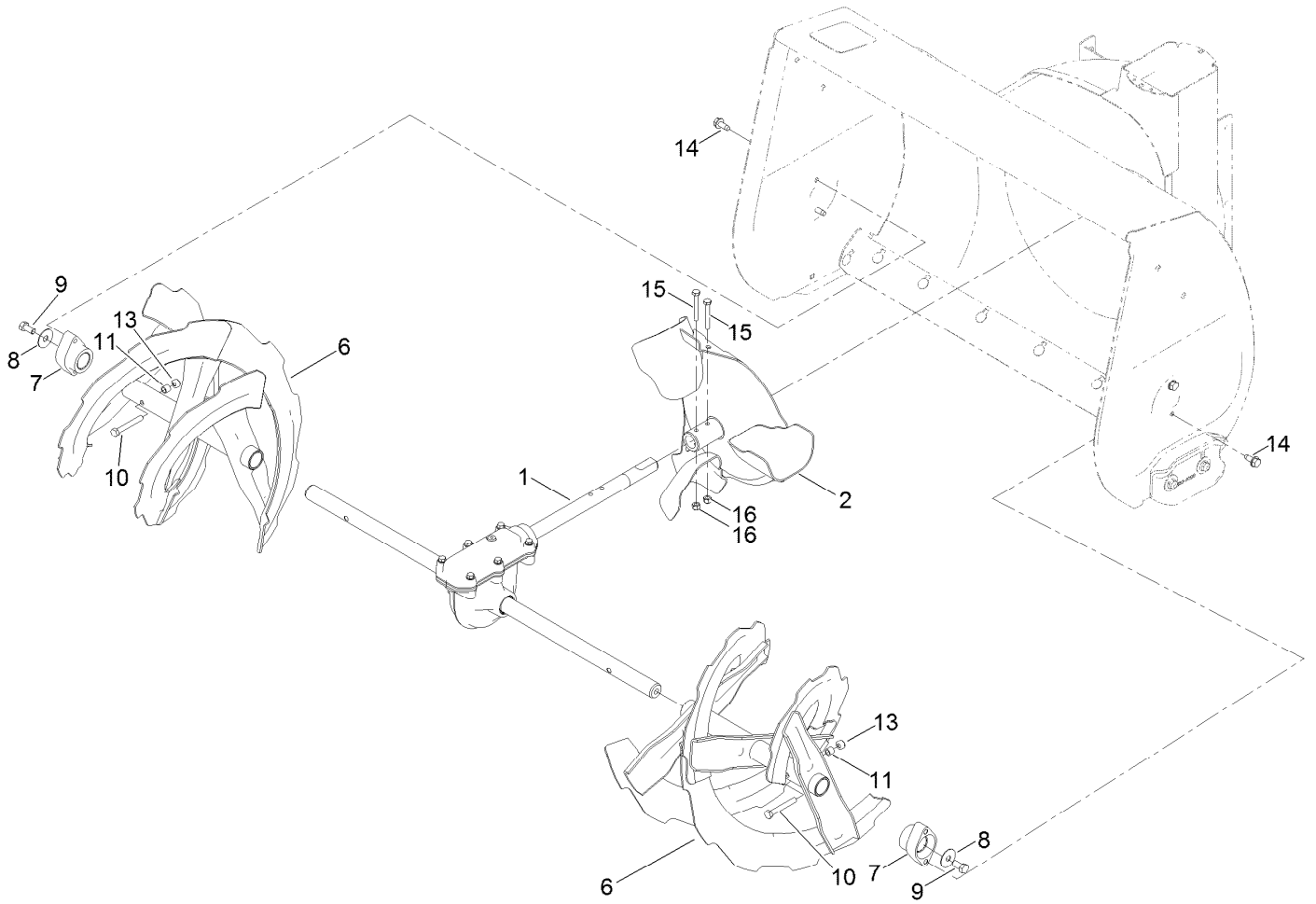
# Auger Drive Assembly



## Auger Drive Assembly (continued)

<i>Ref.</i>	<i>Part Number</i>	<i>Qty.</i>	<i>Description</i>	<i>Ref.</i>	<i>Part Number</i>	<i>Qty.</i>	<i>Description</i>
1	136-6564	2	Pulley-Traction, Engine	27	137-6151	1	V-Belt
2	136-6691	1	Pulley-Spacer	28	136-7186	1	Arm-Idler, Traction
3	137-6179	1	Pulley-Impeller	29	3-4244	1	Pulley-Idler
4	137-3078	1	Washer-Plain	30	137-3065	1	Screw-HH
5	137-3071	1	Washer-Lock	31	120-3060	1	Spring-Torsion
6	138-0721	1	Screw-HH	32	92-9698	1	Screw-Shoulder
7	135-0708	1	Belt-V, Hitemp	33	137-3094	1	Nut-Hex
8	3-8514	1	Washer-Thrust	34	107-1045	1	Spring-Extension
9	136-8654-03	1	Bracket-Clutch, Impeller	36	136-6689	1	Plate-Friction, Wheel
10	138-0717	1	Pulley-Impeller	37	137-6156	1	Bkt-Traction, Plate
11	136-6558	1	Hub-Pulley	38	137-6159-03	1	Bellcrank-Drive
12	32144-70	4	Screw-HWHTF	39	137-6157	1	Link-Drive
13	136-8671-03	1	Bracket-Brake, Clutch	40	38-7820	2	Bearing-Ball
14	136-6527	1	Brake Arm	41	136-7124	1	Retainer-Bearing
15	66-8060	1	Pad-Brake	42	137-6154	1	Pulley-Traction
16	136-7199	1	Bolt-Shoulder	43	115-1166	1	Washer-Flat
17	121-4600	2	Nut-Hex	44	137-6189	1	Spring-Extension
18	137-6234-03	1	Arm-Clutch, Impeller	45	256-257	2	Bushing-Nyliner
19	92-7104	1	Pulley-Idler	46	120-7156	2	Bushing-Plate, Traction
20	138-0722	1	Screw-HH	47	119-4042	1	Nut-HF, NI
21	137-3111	1	Screw-HHF	48	136-6654	1	Bracket-Bellcrank
22	137-3005	1	Nut-HF	49	137-3121	1	Washer-Plain
24	32144-85	12	Screw-HWH	50	115-5142	1	Screw-HHF
25	136-7116	1	Bolt-Shoulder	51	137-3089	1	Nut-Hex
26	137-3095	1	Nut-Hex				

# Gear Case Assembly

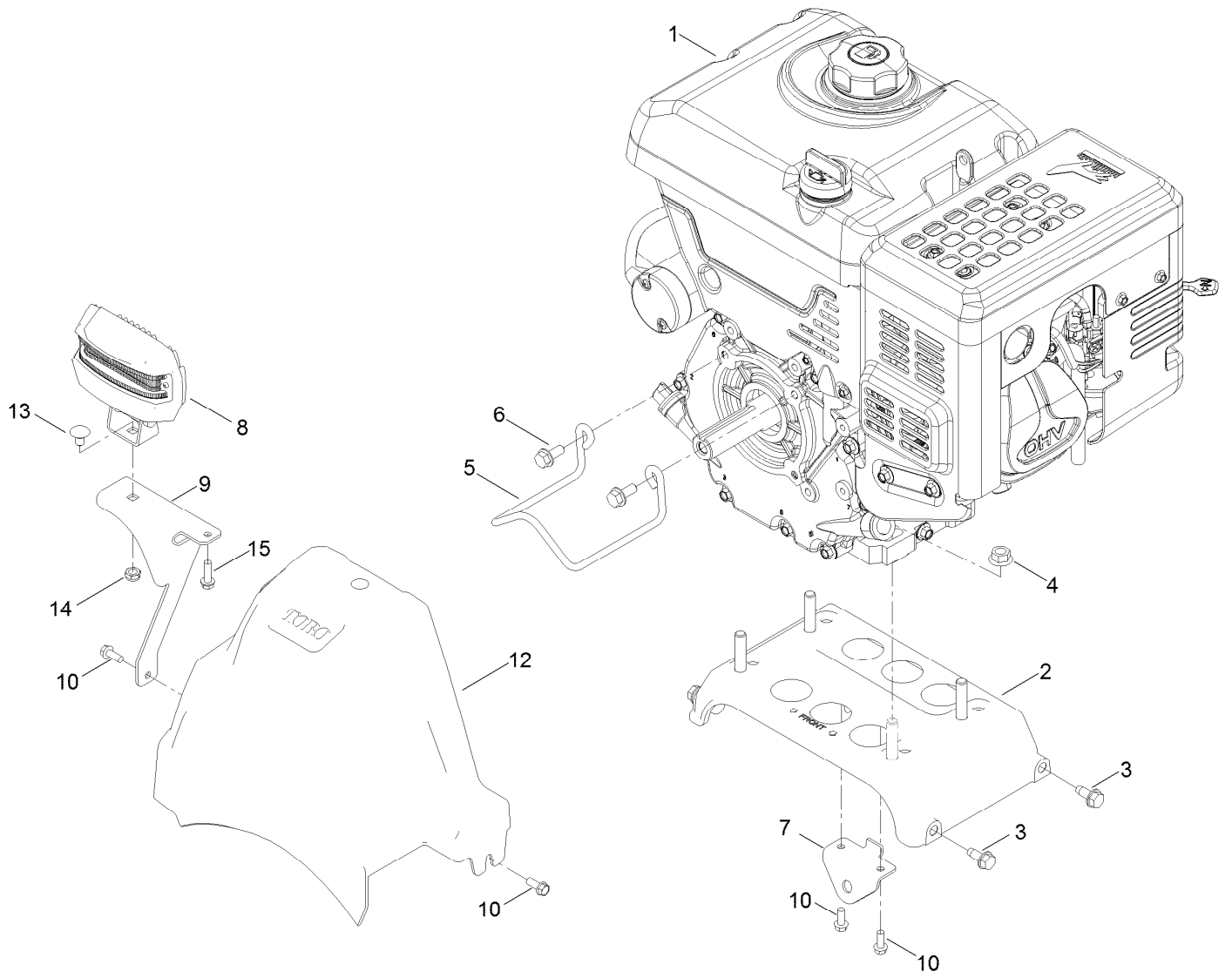




## Gear Case Assembly (continued)

<i>Ref.</i>	<i>Part Number</i>	<i>Qty.</i>	<i>Description</i>	<i>Ref.</i>	<i>Part Number</i>	<i>Qty.</i>	<i>Description</i>
1	136-6549	1	Auger Gearcase ASM	10	120-9738	2	Screw-HH
2	136-6570-03	1	Impeller	11	136-7148	2	Spacer-Grommet
6	136-6600-03	1	Auger-LH	13	119-4038	2	Nut-Hex
6	136-6601-03	1	Auger-RH	14	32144-70	4	Screw-HWHTF
7	106-4570	2	Bearing-Auger	15	137-3032	2	Screw-HH
8	3-0750	2	Washer	16	137-3088	2	Nut-Hex
9	137-3066	2	Screw-HH				

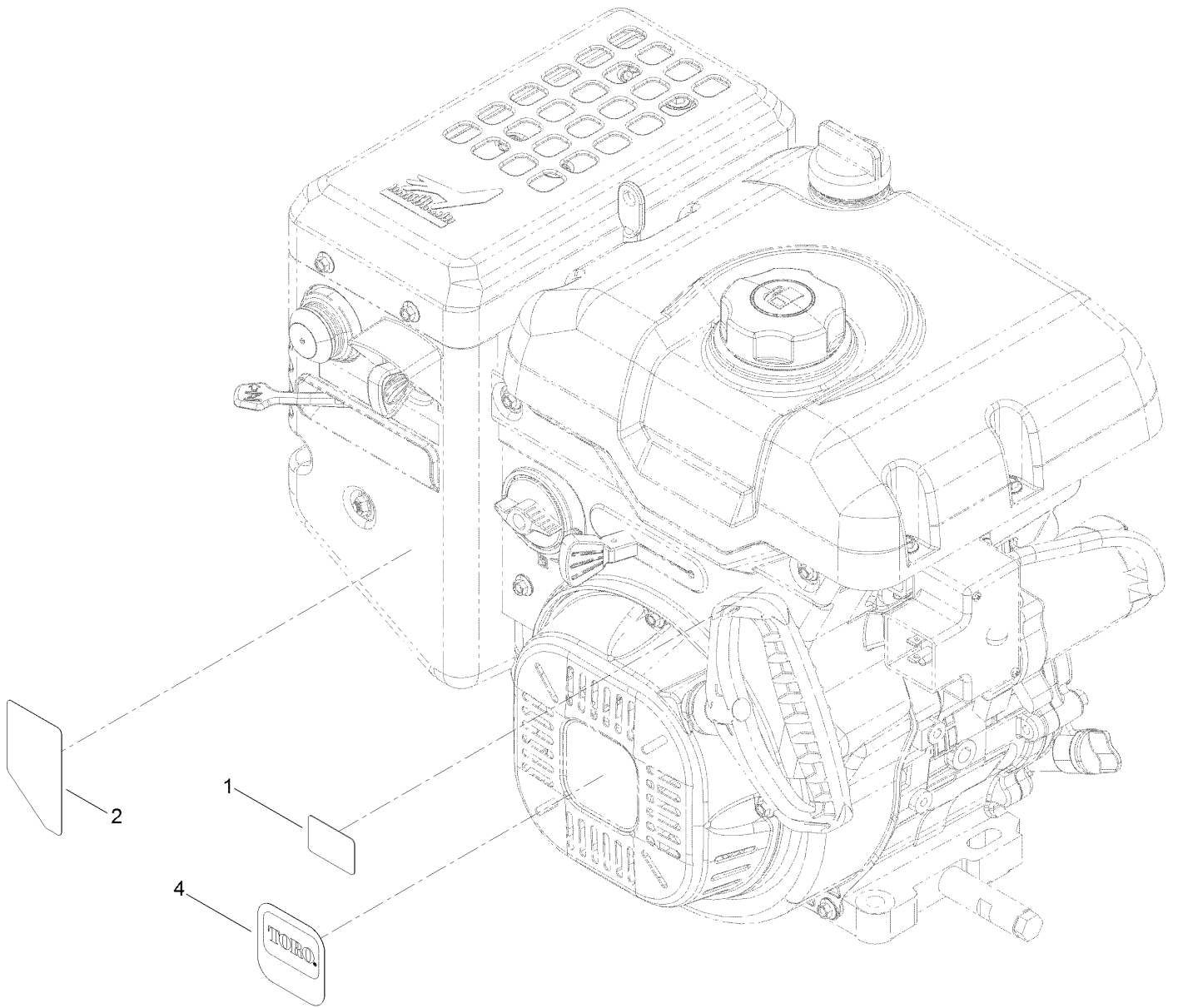
# Engine Assembly



## Engine Assembly (continued)

<i>Ref.</i>	<i>Part Number</i>	<i>Qty.</i>	<i>Description</i>	<i>Ref.</i>	<i>Part Number</i>	<i>Qty.</i>	<i>Description</i>
1	120-4423	1	Engine-175Fds-1	8	138-0670	1	LED Light ASM
2	138-0695	1	Engine Plate ASM	9	138-0683-03	1	Bracket-Light
3	32144-70	4	Screw-HWHTF	10	32144-85	4	Screw-HWH
4	136-8683	4	Nut-Lock	12	136-6606	1	Cover-Belt
5	136-8673	1	Guide-Belt	13	3230-19	1	Bolt-CARR
6	138-0690	2	Screw-HH	14	137-3089	1	Nut-Hex
7	136-6644-03	1	Bracket-Control, Traction	15	137-3099	1	Screw-Plastite, HWH

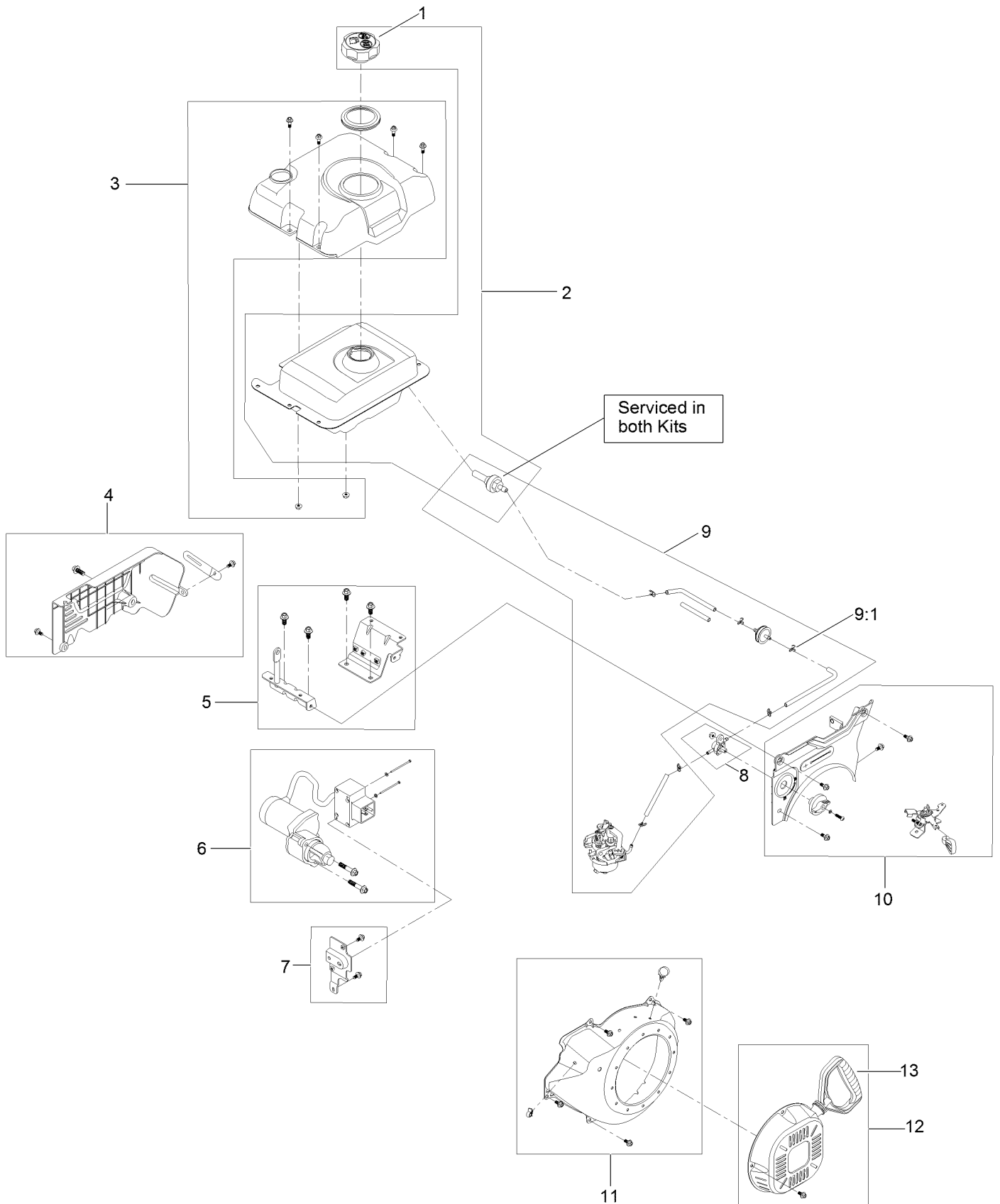
# Engine Decal Assembly



## Engine Decal Assembly (continued)

<i>Ref.</i>	<i>Part Number</i>	<i>Qty.</i>	<i>Description</i>
1	125-1102	1	Decal-Throttle
2	120-9805	1	Decal-Control, Engine
4	120-9810	1	Decal-Recoil

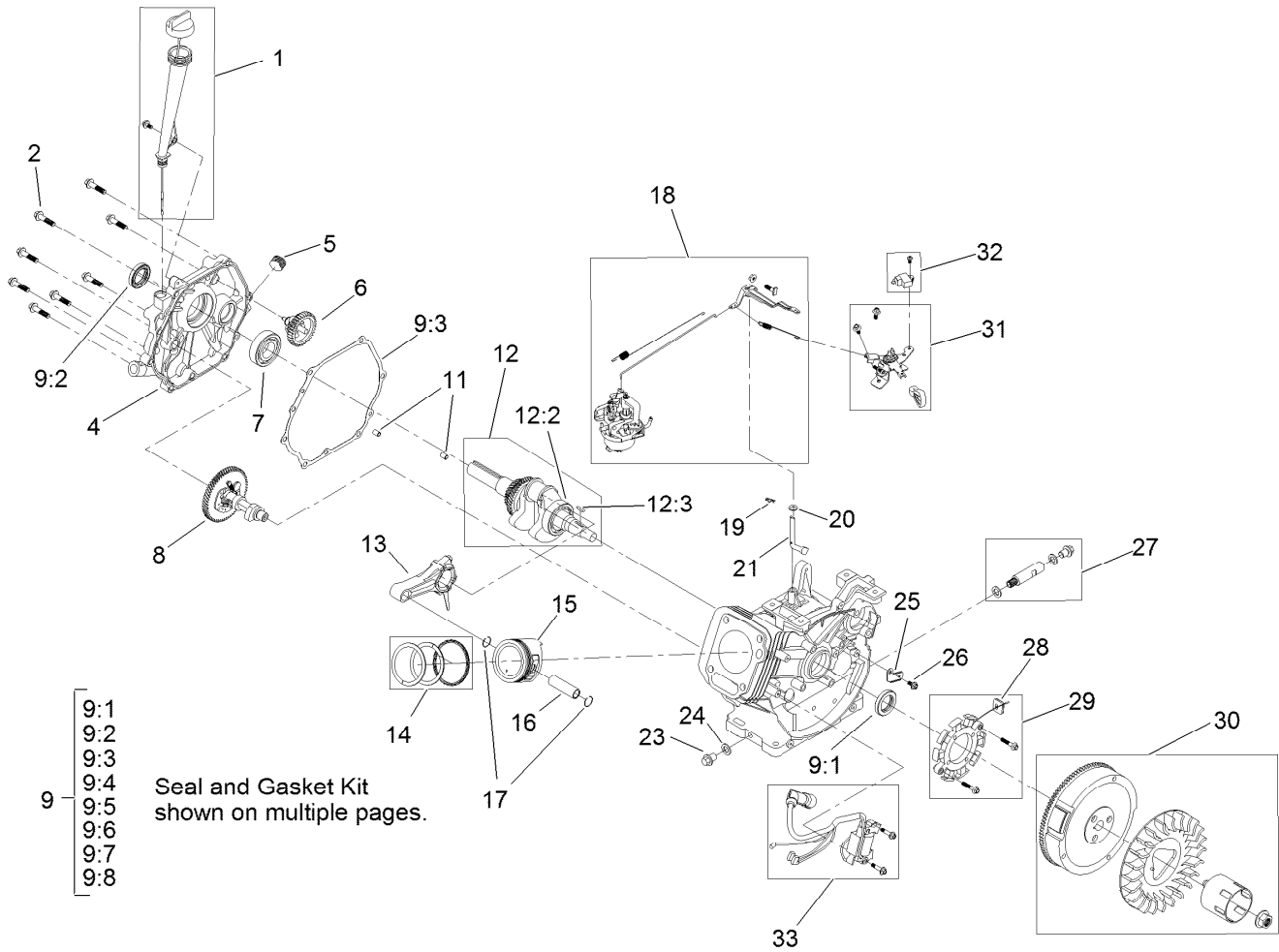
# Engine Assembly No. 1



# Engine Assembly No. 1 (continued)

<i>Ref.</i>	<i>Part Number</i>	<i>Qty.</i>	<i>Description</i>	<i>Ref.</i>	<i>Part Number</i>	<i>Qty.</i>	<i>Description</i>
1	133-9823	1	Cap-Fuel	8	121-4109	1	Fuel Shut-Off Valve Kit
2	136-7802	1	Fuel Tank And Cap Kit	9	139-0598	1	Fuel Line Kit
3	121-0349	1	Fuel Tank Cover Kit	9:1	121-0087	4	Clamp-Hose
4	121-0347	1	Rear Panel And Hardware Kit	10	121-4105	1	Front Panel Kit
5	121-0351	1	Tank Mount Bracket Kit	11	121-0274	1	Recoil Shroud Kit
6	136-7799	1	Electric Starter Kit	12	121-0342	1	Recoil Kit
7	121-4103	1	Switch Box Bracket Kit	13	121-0287	1	Handle-Recoil

# Engine Assembly No. 2

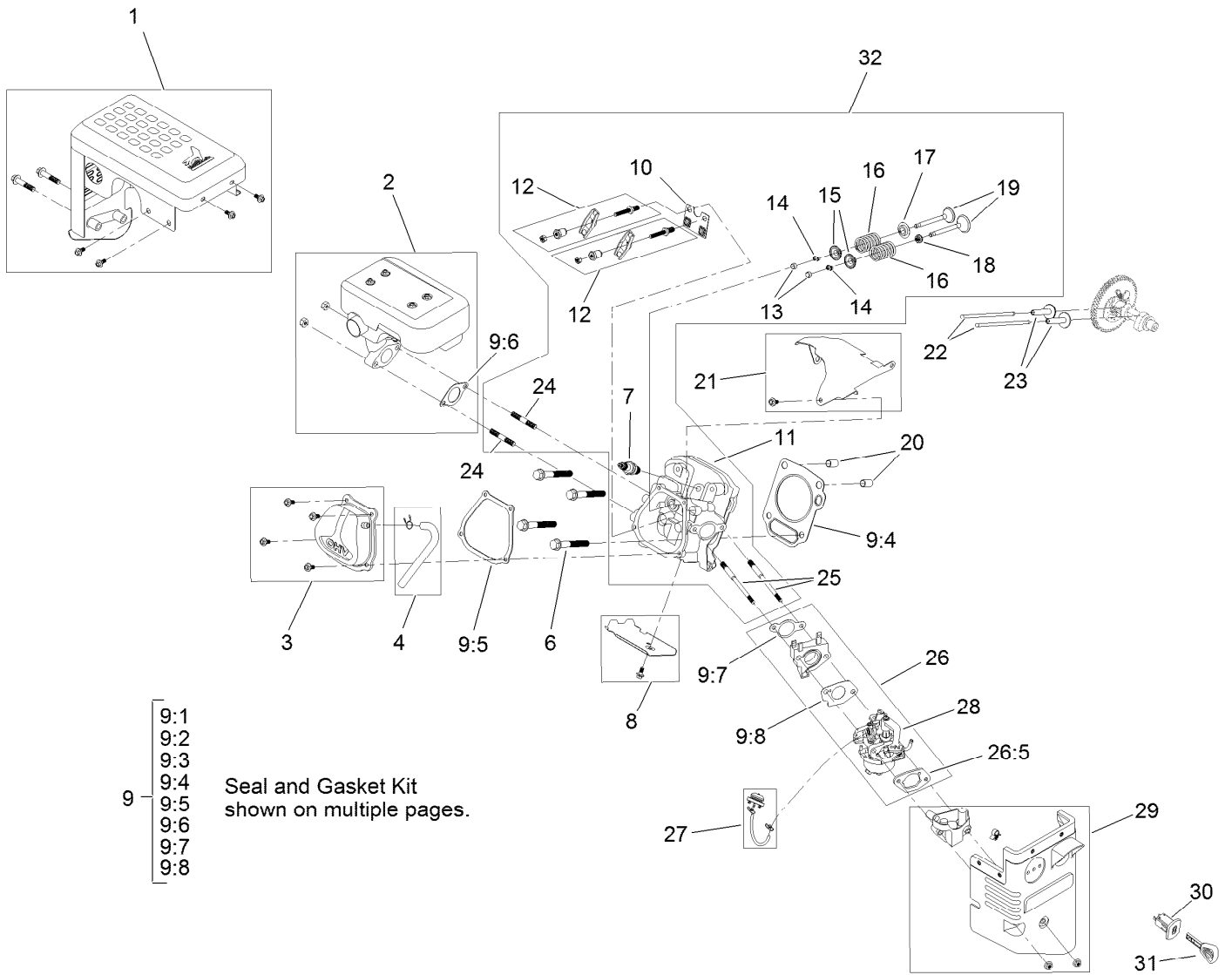




## Engine Assembly No. 2 (continued)

<i>Ref.</i>	<i>Part Number</i>	<i>Qty.</i>	<i>Description</i>	<i>Ref.</i>	<i>Part Number</i>	<i>Qty.</i>	<i>Description</i>
1	133-9854	1	Oil Fill Kit	13	121-0240	1	Connecting Rod ASM
2	121-0299	8	Screw-HHF	14	121-0239	1	Set-Ring, Piston
4	133-9856	1	Cover-Crankcase	15	121-0236	1	Piston
5	133-9805	1	Plug-Drain	16	121-0237	1	Pin-Piston
6	136-7782	1	Governor Gear ASM	17	121-0313	2	Clip-Pin, Piston
7	121-0315	1	Bearing-Main	18	121-0352	1	Complete Governor Kit
8	121-0242	1	Camshaft ASM	19	120-4256	1	Pin-Hair
9	121-0356	1	Seal And Gasket Kit	20	121-0311	1	Washer-Plain
9:1	121-0316	1	Seal-Oil	21	136-7783	1	Shaft-Governor
9:2	121-0317	1	Seal-Oil	23	121-0222	1	Screw-HHF
9:3	121-0228	1	Gasket-Cover, Crankcase	24	121-0310	1	Washer-Plain
9:4	121-0232	1	Gasket-Head, Cylinder	25	121-0278	1	Clamp
9:5	121-0234	1	Gasket-Cover, Valve	26	121-0118	1	Screw-HHF
9:6	121-0272	1	Gasket-Exhaust	27	121-0341	1	Drain Plug Kit
9:7	121-0252	1	Gasket-Carburetor	28	121-0325	1	Grommet-Rubber
9:8	121-0253	1	Gasket-Carburetor	29	121-0362	1	Stator Kit
11	121-0314	2	Pin-Dowel	30	121-0354	1	Fan And Flywheel Kit
12	121-0241	1	Crankshaft ASM	31	121-4107	1	Throttle Control Kit
12:2	121-0315	1	Bearing-Main	32	121-4106	1	Kill Switch Kit
12:3	120-4320	1	Key-Woodruff	33	136-7798	1	Ignition Kit

# Engine Assembly No. 3



9:1  
 9:2  
 9:3  
 9:4  
 9:5  
 9:6  
 9:7  
 9:8

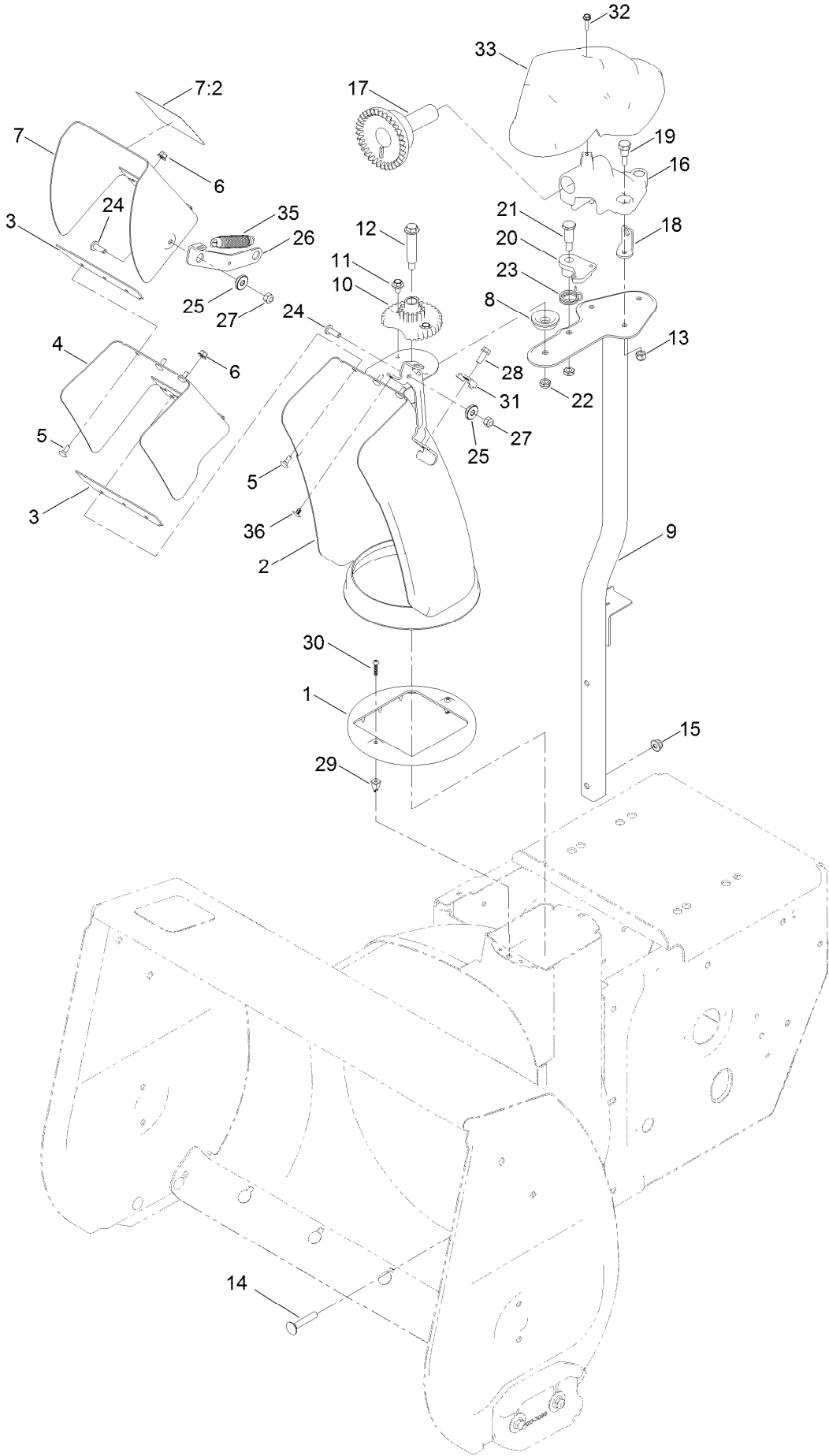
9 Seal and Gasket Kit shown on multiple pages.

## Engine Assembly No. 3 (continued)

<i>Ref.</i>	<i>Part Number</i>	<i>Qty.</i>	<i>Description</i>	<i>Ref.</i>	<i>Part Number</i>	<i>Qty.</i>	<i>Description</i>
1	121-4101	1	Muffler Shield Kit	16	120-4305	2	Spring-Valve
2	127-9373	1	Muffler Kit	17	120-4303	1	Seat-Spring, Valve
3	121-0343	1	Valve Cover Kit	18	120-4304	1	Seal-Stem, Valve
4	121-0340	1	Breather Tube Kit	19	121-0328	1	Valve Kit
6	121-0302	4	Screw-HHF	20	120-4200	2	Pin-Dowel
7	119-1901	1	Plug-Spark	21	121-4102	1	Upper Heat Shroud Kit
8	121-0348	1	Lower Heat Shroud Kit	22	121-0246	2	Rod-Push
9	121-0356	1	Seal And Gasket Kit	23	120-4298	2	Lifter-Valve
9:1	121-0316	1	Seal-Oil	24	121-0304	2	Stud-Mount, Muffler
9:2	121-0317	1	Seal-Oil	25	121-0303	2	Stud-Mount, Carburetor
9:3	121-0228	1	Gasket-Cover, Crankcase	26	121-0345	1	Complete Carb Service Kit
9:4	121-0232	1	Gasket-Head, Cylinder	26:5	121-0254	1	Gasket-Coated, Rubber
9:5	121-0234	1	Gasket-Cover, Valve	27	127-9372	1	Primer Kit
9:6	121-0272	1	Gasket-Exhaust	28	127-9143	1	Carb Repair Kit With Gaskets
9:7	121-0252	1	Gasket-Carburetor	29	121-0355	1	Heater Box Kit
9:8	121-0253	1	Gasket-Carburetor	30	121-0283	1	Switch-Key
10	121-0247	1	Plate-Guide, Push Rod	31	117-7728	1	Key
11	121-0230	1	Head-Cylinder	32	133-9855	1	Complete Head ASM
12	121-0245	2	Rocker Arm ASM	99	121-4241	1	High Altitude Kit-Power Max HD ●
13	121-0244	2	Rotator-Valve				
14	120-4307	4	Keeper-Valve				
15	120-4306	2	Retainer-Spring, Valve				

● Not illustrated

# Chute Assembly



## Chute Assembly (continued)

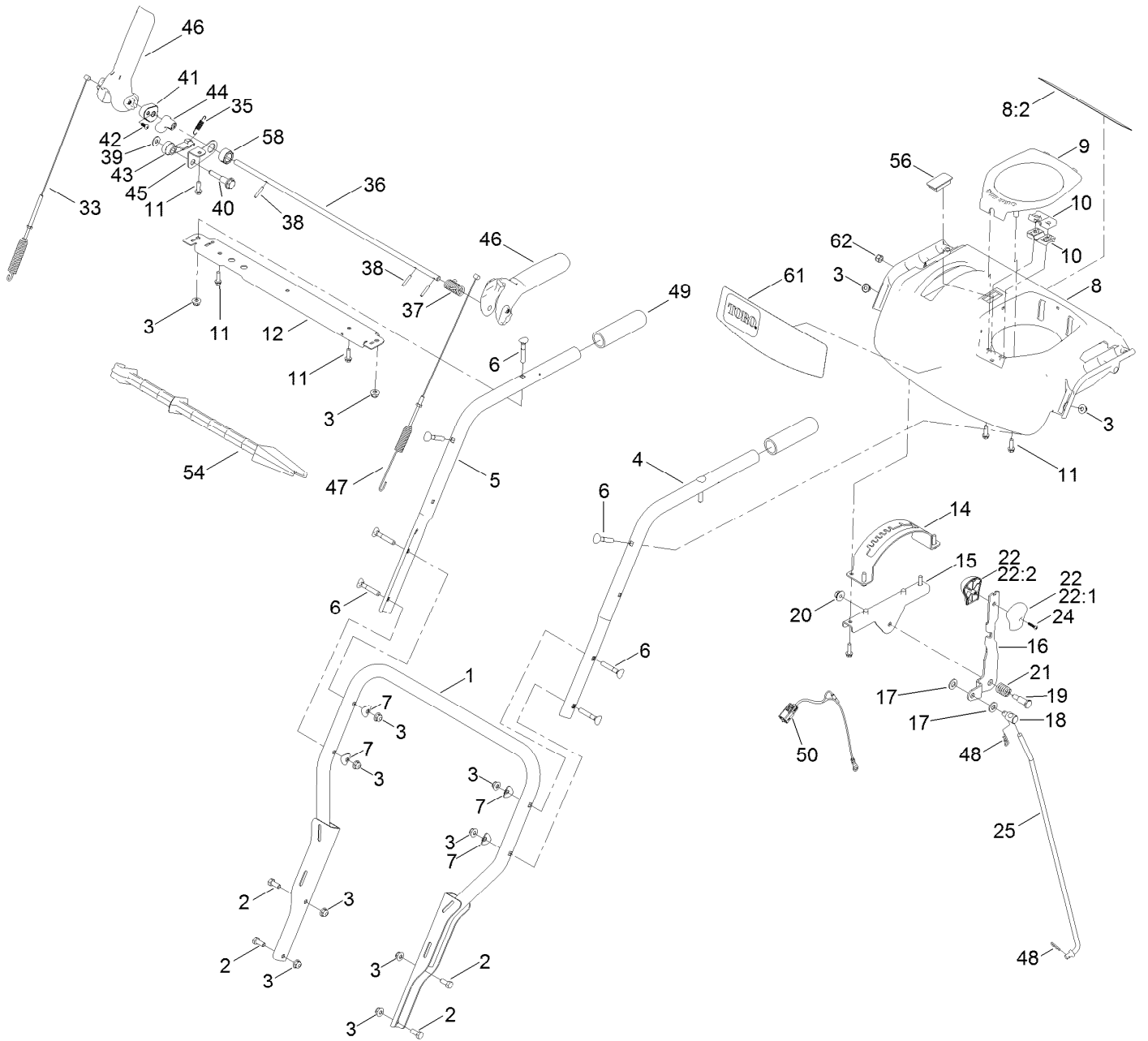
<i>Ref.</i>	<i>Part Number</i>	<i>Qty.</i>	<i>Description</i>	<i>Ref.</i>	<i>Part Number</i>	<i>Qty.</i>	<i>Description</i>
1	136-6515	1	Guide-Chute	18	136-6676	1	Anchor-Cable
2	136-6580-01	1	Lower Chute ASM	19	136-7197	3	Screw-Shoulder
3	138-3671	2	Gasket-Deflector	20	136-6525	1	Latch-Chute
4	136-6582-01	1	Middle Deflector ASM	21	137-3103	1	Screw-Shoulder, HH
5	135-1929	6	Bolt-CARR	22	137-3089	2	Nut-Hex
6	138-0719	6	Nut-HF	23	108-7315	1	Spring-Torsion
7	139-1564	1	Deflector ASM	24	138-0689	2	Screw-PH
7:2	121-6847	1	Decal-Danger	25	138-0687	2	Bushing-Pivot
8	106-4422	1	Spacer-Chute	26	136-6522	1	Link-Deflector
9	137-6245-03	1	Chute Post ASM	27	137-3094	2	Nut-Hex
10	106-4472	1	Gear-Chute	28	32144-85	1	Screw-HWH
11	46-6810	2	Screw And Washer ASM	29	136-6586	2	Grommet-Screw
12	136-7199	1	Bolt-Shoulder	30	94-4496	2	Screw-PPH
13	137-3088	3	Nut-Hex	31	136-7191	1	Clamp-Cable
14	137-3063	2	Bolt-Car	32	137-3110	1	Screw-Plastite, HWH
15	119-4041	2	Nut-HF	33	136-6672	1	Cover-Gear, Face
16	136-6517	1	Mount-Gear, Face	35	132-6915	1	Spring-Extension
17	106-4471	1	Gear-Face	36	138-3651	1	Plug-Plastic



## Chute Control Assembly (continued)

<i>Ref.</i>	<i>Part Number</i>	<i>Qty.</i>	<i>Description</i>	<i>Ref.</i>	<i>Part Number</i>	<i>Qty.</i>	<i>Description</i>
1	138-0662	1	Rod-Control, Chute	12	137-6239	1	Cap-Lever
2	138-0659	1	Screw-Shoulder, HWH	13	136-6578	1	Rod-Chute, Rotation
3	139-1552	1	Chute Control Lever ASM	14	94-4496	8	Screw-PPH
5	105-9988	1	Lever-Cable, Deflector	15	136-6677	1	Globe-Quickstick, RH
6	106-7310	1	Pawl-Latch	16	136-6632-03	1	Plate-Stiffner
7	137-3087	1	Nut-Hex	17	136-6678	1	Globe-Quickstick, LH
8	137-6238	1	Trigger-Latch	18	137-3056	3	Bolt-CARR
9	138-0730	1	Cable-Control, Deflector	19	137-3094	3	Nut-Hex
10	105-9982	1	Spring-Torsion	20	136-6671	1	Cable-Release, Chute
11	138-0688	1	Link-Latch	21	138-0744	1	Washer-Friction, Composite

# Handle Assembly

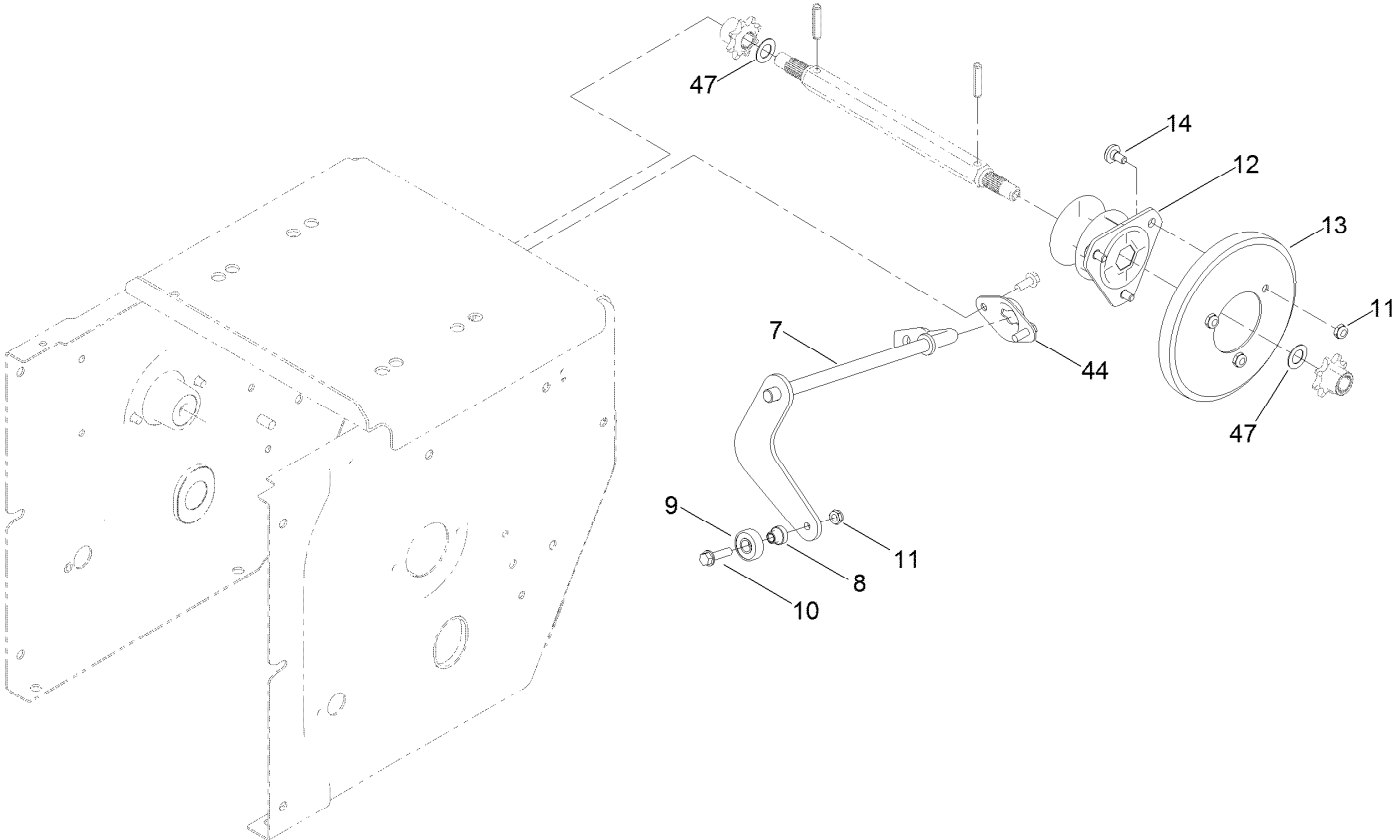




## Handle Assembly (continued)

<i>Ref.</i>	<i>Part Number</i>	<i>Qty.</i>	<i>Description</i>	<i>Ref.</i>	<i>Part Number</i>	<i>Qty.</i>	<i>Description</i>
1	136-6682-03	1	Lower Handle ASM	25	137-6225	1	Rod-Shift
2	137-3052	4	Screw-HH	33	138-3661	1	Cable-Auger
3	138-8401	12	Nut-HF	35	136-7161	1	Spring-Lockout, Handle
4	137-6206-03	1	Handle-Upper, LH	36	137-6182	1	Rod-Lockout
5	137-6207-03	1	Handle-Upper, RH	37	138-0678	1	Spring-Torsion, Handle Return
6	137-3107	8	Screw-Handle	38	137-3035	3	Pin-Spring
7	137-3009	4	Washer-Cup	39	98-3499	1	Washer-Flat
8	137-6208	1	Panel-Control, W/Graphics	40	138-0681	1	Screw-Shoulder
8:2	137-6249	1	Decal-Safety	41	137-6227	1	Handle-Lock
9	137-6178	1	Cover-Quickstick	42	137-9137	1	Screw-Plastic, PPH
10	105-9987	2	Support-Rod	43	137-6229	1	Latch-Lockout
11	137-3099	9	Screw-Plastite, HWH	44	138-8466	1	Cam-Lockout
12	137-6197-01	1	Brace-Console	45	138-3652	1	Link-Lockout
14	137-6187-03	1	Gate-Shift	46	137-6171	2	Lever-Control
15	137-6188-03	1	Bracket-Shift	47	138-0728	1	Cable-Traction
16	137-6231-03	1	Selector-Speed	48	137-3083	2	Pin-Hair
17	115-1166	2	Washer-Flat	49	120-1333	2	Grip-Handle
18	136-7193	1	Trunnion-Rod	50	138-3645	1	Harness-Wire, LED
19	137-3103	1	Screw-Shoulder, HH	54	110-3408	1	Stick-Cleanout
20	137-3038	1	Nut-HF	56	99-7420	1	Plug-Hole
21	136-7121	1	Spring-Compression	58	138-8467	1	Collar-Cam
22	138-4634	1	Shift Knob ASM	61	138-0653	1	Decal-Console
22:1	105-9999	1	Knob-Shift, LH	62	137-3093	1	Nut-Hex
22:2	106-4423	1	Knob-Shift, RH				
24	94-4496	1	Screw-PPH				

# Friction Wheel Assembly

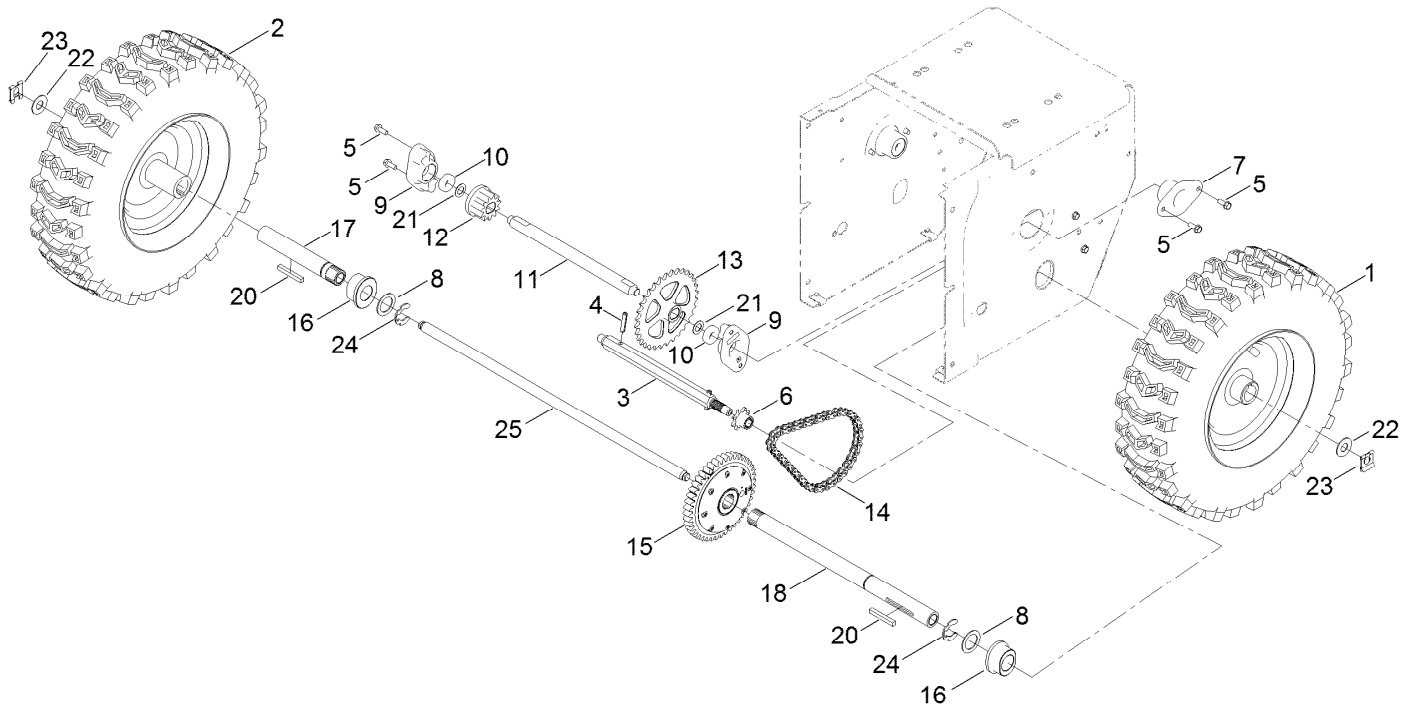


## Friction Wheel Assembly (continued)

<i>Ref.</i>	<i>Part Number</i>	<i>Qty.</i>	<i>Description</i>	<i>Ref.</i>	<i>Part Number</i>	<i>Qty.</i>	<i>Description</i>
7	137-6162-03	1	Rod-Shift	13	119-1567	1	Wheel-Friction
8	119-7684	1	Spacer-Plate, Shift	14	137-6246	3	Screw-Shoulder
9	121-6835	1	Bearing-Ball	44	136-6647-03	1	Retainer-Rod, Shift
10	32144-86	1	Screw-HWHTF	47	36-4780	2	Washer-Plain
11	137-3091	4	Nut-Hex	50	119-4040	2	Nut-Flange, NI ●
12	119-7630	1	Trunnion				

● Not illustrated

# Autoturn Drive Assembly



## Autoturn Drive Assembly (continued)

<i>Ref.</i>	<i>Part Number</i>	<i>Qty.</i>	<i>Description</i>	<i>Ref.</i>	<i>Part Number</i>	<i>Qty.</i>	<i>Description</i>
1	137-6185	1	LH Wheel And Tire ASM	13	136-6698	1	Sprocket-32T
2	137-6184	1	RH Wheel And Tire ASM	14	108-0016	1	Chain-Roller
3	138-0745	1	Shaft-Hex	15	137-6195	1	Transmission-Gt, Di310
4	32121-9	2	Pin-Roll, Slotted	16	136-6641	2	Bushing-Axle
5	32144-85	8	Screw-HWH	17	138-3618	1	Axle-Tube, RH
6	125-1134	1	Gear-Pinion, 8 Tooth	18	138-3617	1	Axle-Tube, LH
7	108-7319	2	Retainer-Bearing	20	5-1336	2	Key-Square
8	138-0725	2	Washer-Thrust	21	36-4780	2	Washer-Plain
9	136-6697	2	Retainer-Bearing, Intermediate	22	HDW14428	2	Washer
10	52-2450	2	Bearing-Wheel	23	95-4064	2	Clip-Pin
11	136-6692	1	Shaft-Intermediate	24	32151-91	2	Ring-Retaining
12	136-6699	1	Tooth-Gear, 11	25	136-6696	1	Axle-Base

# Attachments and Accessories

## For 38840 Power Max Heavy Duty 928 OAE Snowthrower

<b>Product Name</b>	<b>Model/Part</b>
High-Altitude Kit.....	121-4241
Heavy-Duty Skid Kit.....	125-1104
Snow Cab Kit.....	127-5960
Engine Maintenance Kit.....	138-0704
Non-Marking Skid Kit.....	38211
Drift Breaker Kit.....	38213
Tire Chain Kit, 16in Tires.....	38215
Toro Snow Oil 0W30 Synthetic 20-Ounce Bottle.....	38913
Power Max HD Covers (2019).....	490-7415

**Notes:**



**Count on it.**