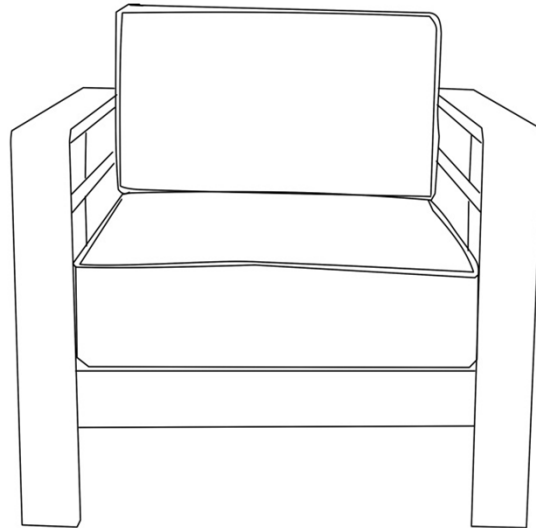


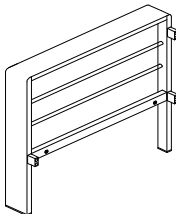

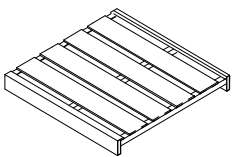
Assembly Instructions

Caution: You must read this before you proceed

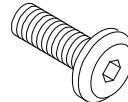
Single Chair

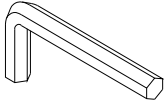
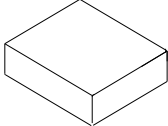
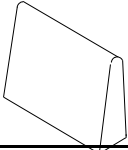


Parts List

Label	Picture	Description	QTY
A		Side Panel	2
B		Back Support Bar	1
C		Seat (Labeled with face and bottom)	1

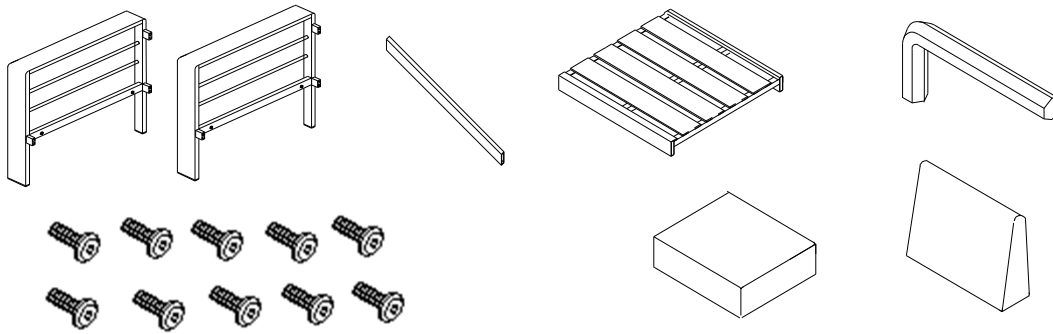
Hardware

Label	Picture	Description	QTY
D		Bolt:M6*20MM	10

E		Allen Key	1
F		Seat Cushion	1
G		Back Cushion	1

Assembly Preparation

Before Beginning Assembly:



- Read instructions, cover to cover-



- Have 2 adults on hand for assembly-



- Do not assemble on flooring or carpet-



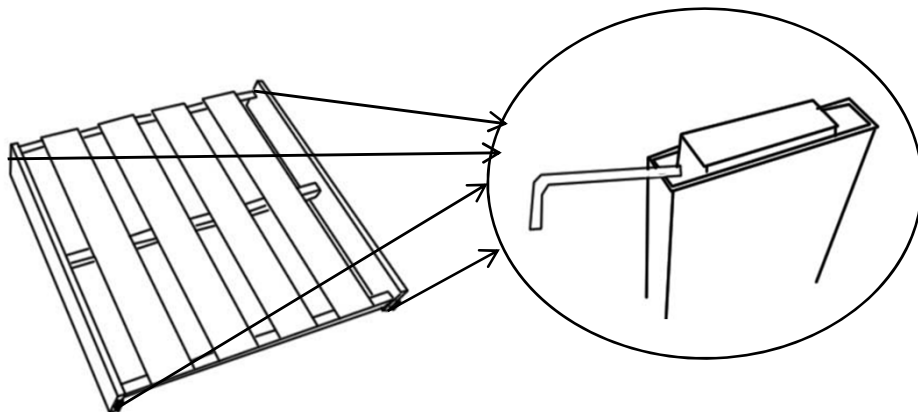
- Assemble on a clean non-marring surface (packing foam)-



- Save all packaging until finished-

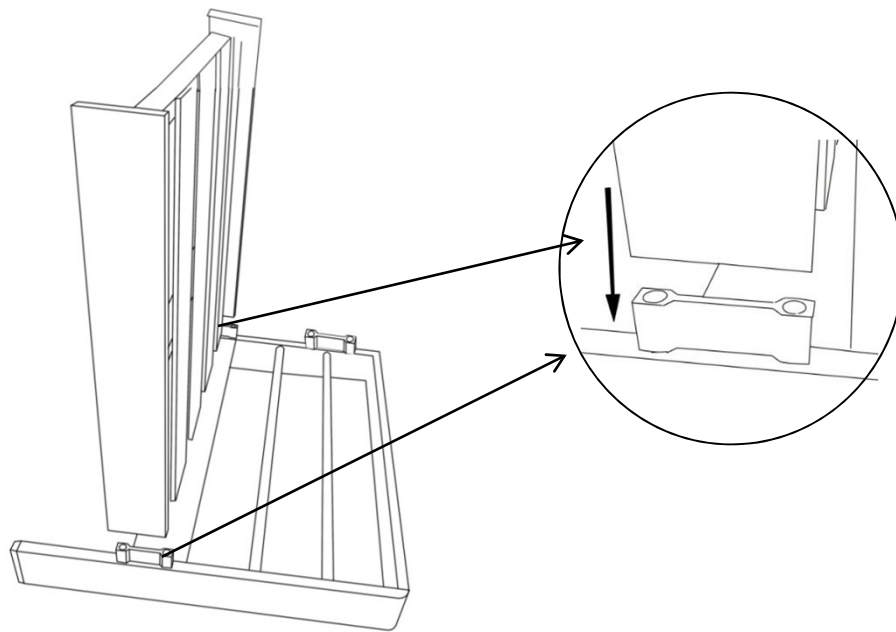
Assembly Steps

Step 1



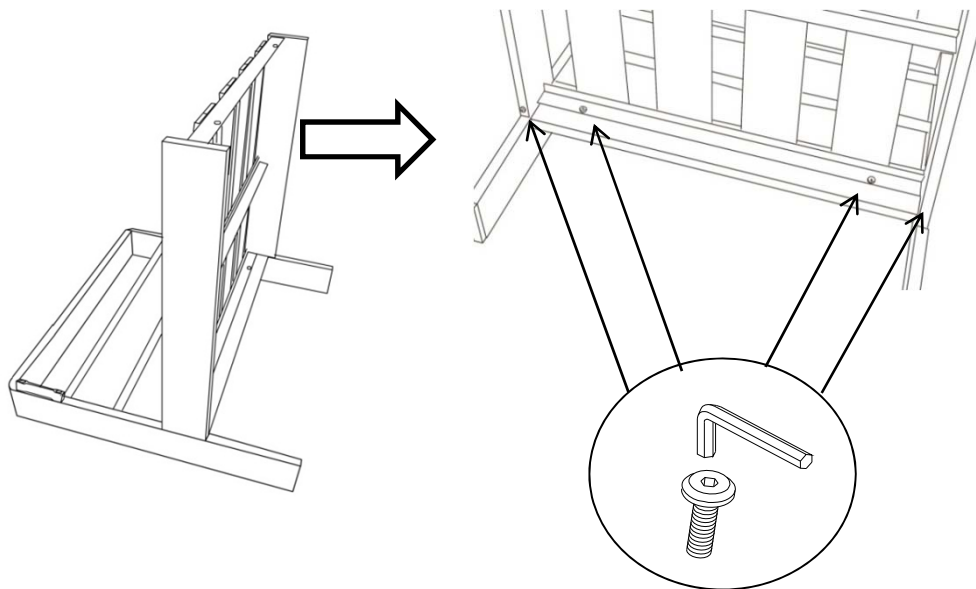
Take out the silders in the four ends of the Seatboard(C) using Allen Key(E).

Step 2



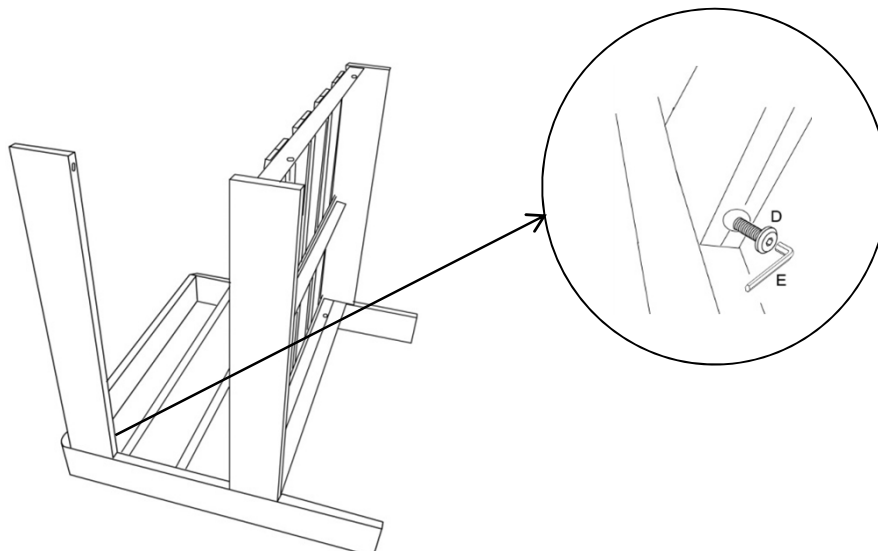
Insert the Seat(C) onto the Side Panel(A), as shown in the picture.

Step 3



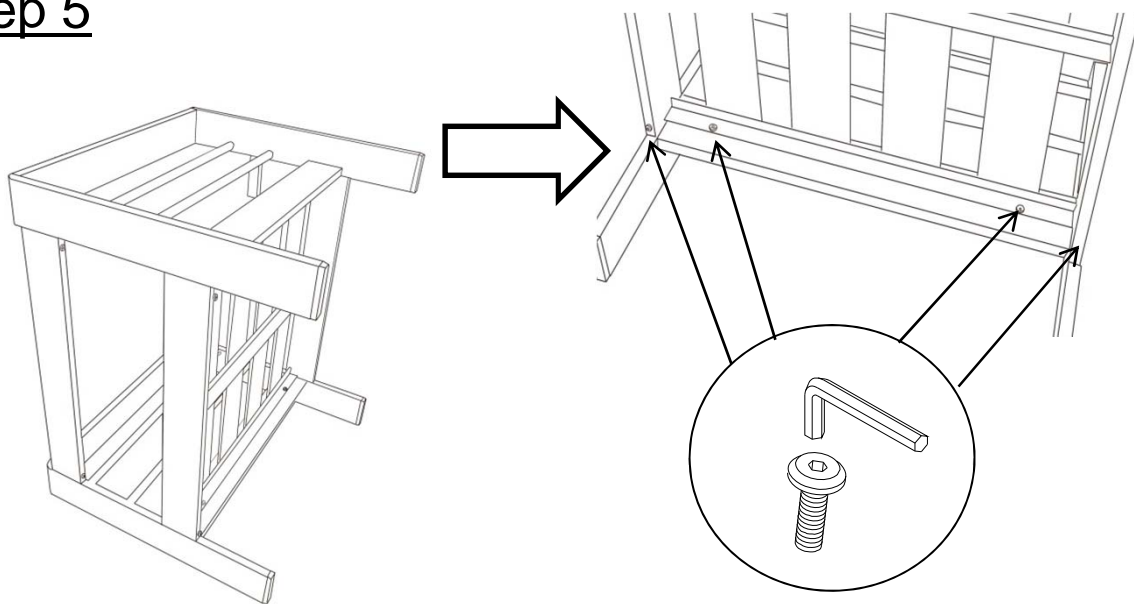
Attach Seat(C) and Side Panel(A) using Bolt(D) with Allen Key(E) as shown in the picture.
Loosely tighten the Bolts.

Step 4



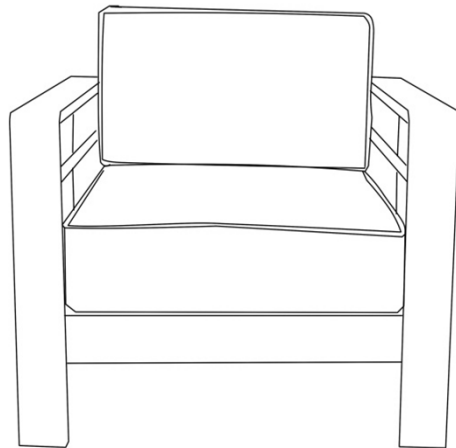
Attach Back Support Bar(B) to Side Panel(A) using Bolt(D) with Allen Key(E).
Loosely tighten the Bolts.

Step 5





















Repeat Step 1 to Step 3 to attach the second Side Panel (A).
Place chair upright and test for stability.
Then in a sequential manner, **proceed to fully tighten all Bolts at all joints.**

Step 6



Stand the Chair up.
Put Back Cushion (G) and Seat Cushion (F) on the Chair, and stick the velcro.
Your Single Chair is ready for use.

Care & Maintenance

-   ● Do not put hot items directly on furniture surface
 -   ● Do not clean furniture with harsh cleansers or polish.
 -   ● To obtain the longest lifespan of your outdoor products, minimizing exposure to direct sunlight is recommended.
 -   ● Children should not climb or jump on the furniture.
 -   ● Do not write on furniture without a padded barrier to protect the surface.
 -   ● To obtain the longest lifespan of your outdoor products, avoid extended and lengthy exposure to rain, snow, and direct sunshine. Whenever possible cover the product and /or place under patio or awnings.
 -   ● Not for commercial use. For residential use only .
 -   ● Stains may be removed with mild soap solution and damp cloth.
-
-   ● Dust and pick-up spills using a clean, non-colored, lint-free cloth .

What is Proposition 65?

Proposition 65 is a California law that requires warning labels on products that may contain one of more than 800-plus chemicals or ingredients that the California Office of Environmental Health Hazard Assessment (OEHHA) has deemed to cause cancer or other reproductive toxicity. Chemicals and elements on this list include wood dust, brass, and other everyday substances, which can be found in very common household items, such as: lamps, tableware, jewelry, crystal glasses, electric cords, beauty products, automobiles, and furniture.

Why Did I Find a Proposition 65 Warning on My Home Goods Product?

We include Proposition 65 warnings on all of our products because there is always a chance that one of the 800-plus common chemicals and ingredients listed under this law could potentially be on our furniture or packing materials. We risk large fines under this law, if we don't include this warning.

Should I worry?

We realize you may be worried finding this warning on our products, but we want to reassure you that the hazardous exposure limits for any of these chemicals have never been found on furniture products that we've shipped to our customers. Additionally, this warning label is very common and can be found on almost every piece of furniture sold in the state of California.

Just How Common Are Proposition 65 Warnings?

Proposition 65 warnings have become so common in California that it is hard to take a trip to a local bank, grocery store, or restaurant without finding at least one warning. In fact, even the Disney Land Resort has a Proposition 65 warning:

