

duraf^lame

MODEL/ MODELE/ MODELO:

DFI-550-22

Español P.13



800-318-9373

TWIN-STAR[®]
INTERNATIONAL
HOME FURNISHINGS

www.tsicustomerservice.com

Twin-Star International, Inc; Delray Beach, FL 33445
Made in China • Printed in China • Fabricado en China • Impreso en China

IMPORTANT INSTRUCTIONS

When using electrical appliances, basic precautions should always be followed to reduce the risk of fire, electrical shock, and injury to persons including the following:

1. Read all instructions before using this appliance.
2. This appliance is hot when in use. To avoid burns, do not let bare skin touch hot surfaces. If provided, use handles when moving this appliance. Keep combustible materials, such as furniture, pillows, bedding, papers, clothes and curtains at least 3 feet (0.9 m) from the front of this appliance. **WARNING:** In order to avoid overheating, do not cover the heater.
3. **CAUTION:** Never leave the heater operating unattended. Extreme caution is necessary if unsupervised children or invalids are nearby.
4. The appliance is not to be used by children or persons with reduced physical, sensory or mental capabilities, or lack of experience and knowledge, unless they have been given supervision or instruction.
5. Always unplug this appliance when not in use.
6. Do not operate any heater with a damaged cord or plug or after the appliance malfunctions, or if it has been dropped or damaged in any manner.
7. If the supply cord is damaged, it must be replaced by the manufacturer, its service agent or similarly qualified persons in order to avoid a hazard.
8. Do not use outdoors.
9. This heater is not intended for use in bathrooms, laundry areas and similar indoor locations. Never locate this appliance where it may fall into a bathtub or other water container.
10. Do not run cord under carpeting. Do not cover cord with throw rugs, runners, or similar coverings. Do not route cord under furniture or appliances. Arrange cord away from traffic area and where it will not be tripped over.
11. To disconnect this appliance, turn controls to the off position, then remove plug from outlet.
12. Do not insert or allow foreign objects to enter any ventilation or exhaust opening as this may cause an electric shock or fire, or damage the appliance.
13. To prevent a possible fire, do not block air intakes or exhaust in any manner. Do not use on soft surfaces, like a bed, where opening may become blocked.
14. This appliance has hot and arcing or sparking parts inside. Do not use it in areas where gasoline, paint or flammable liquids are used or stored. This stove should not be used as a drying rack for clothing. Christmas stockings or decorations should not be hung in the area of it.
15. Use this appliance only as described in the manual. Any other use not recommended by the manufacturer may cause fire, electric shock or injury to persons.
16. Connect to properly grounded outlets only, See Fig.1. This heater is for use on 120 volts. Do not use a 2 prong adapters. Always plug heaters directly into a wall outlet/receptacle. Never use with an extension cord or relocatable power tap (power strip).

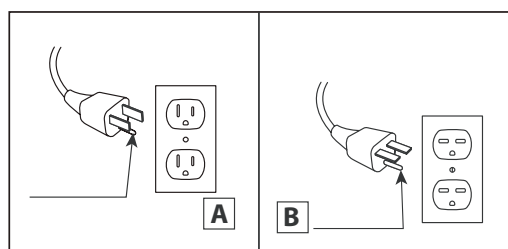
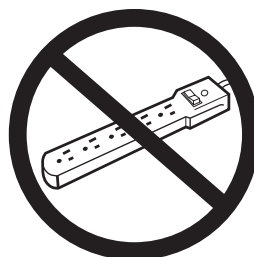


Fig.1

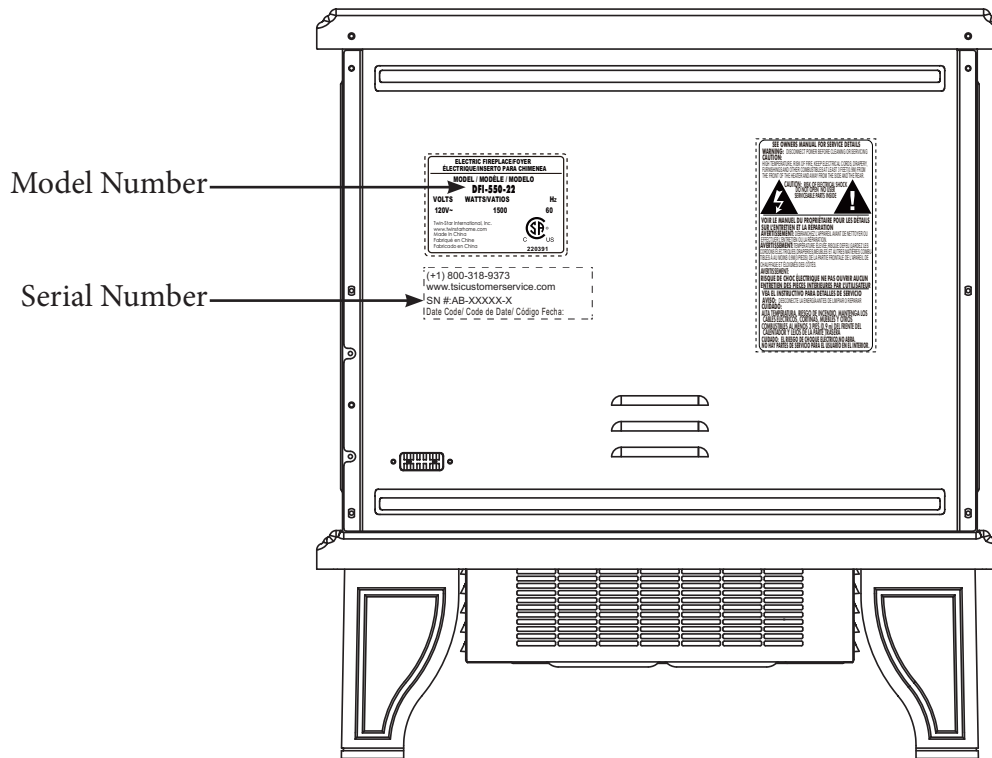


SAVE THESE INSTRUCTIONS

GETTING STARTED

1. The serial number is located on the back of the stove, the serial number is necessary for product warranty registration and customer service.

Back of the Stove



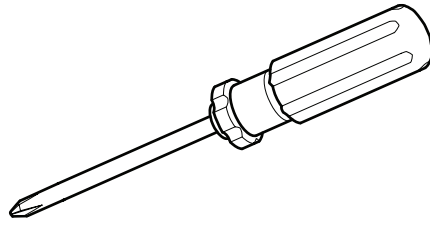
2. Go to www.tsicustomerservice.com for product warranty registration. For registration use the **MODEL NUMBER: DFI-550-22**. If you are unable to complete registration save your proof of purchase for warranty purposes.

PRODUCT SPECIFICATIONS

VOLTAGE	120VAC, 60 Hz
AMPS	12.5 Amps
WATTS (max.)	1500 Watts

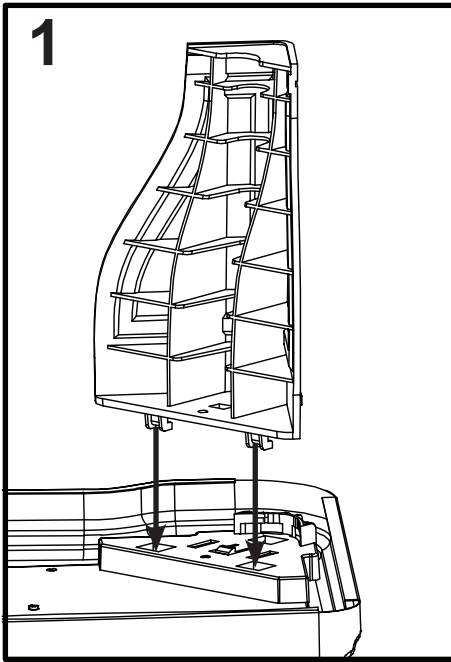
INSTALLATION INSTRUCTIONS

Tools Required for Assembly

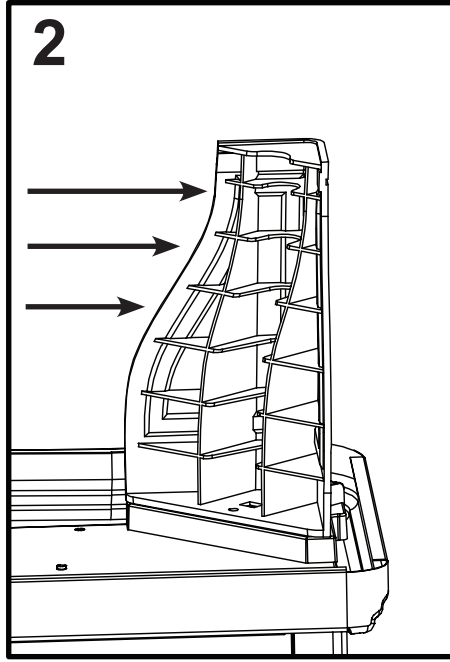


Phillips Head Screwdriver

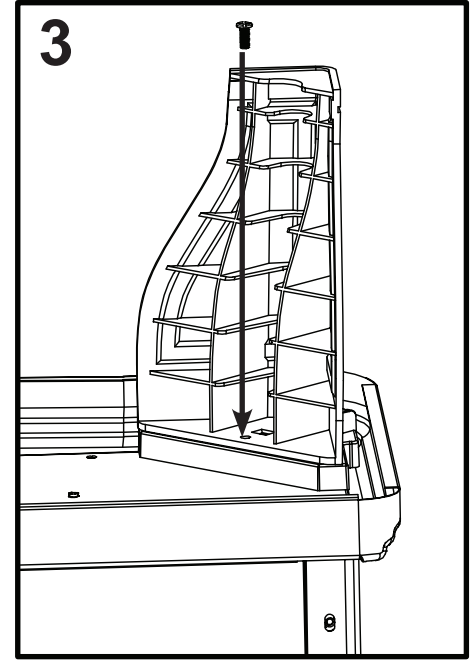
Leg Assembly



Align the 2 mounting tabs into the bracket.



Slide the legs outward to lock in place. When locked in position the screw hole from step 3 will be aligned.

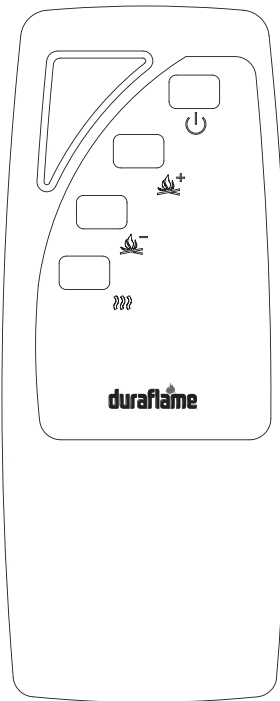
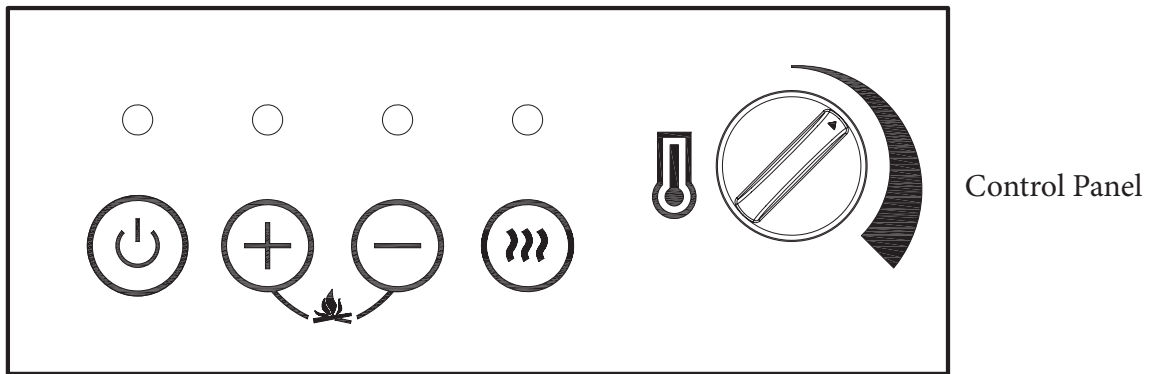
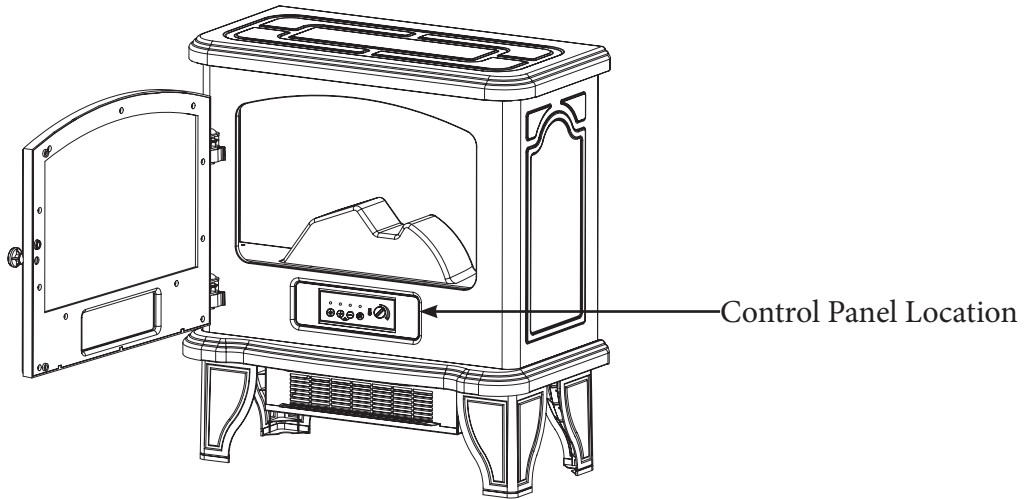


Fasten the legs to the base using the included screws, 1 per leg

CARE AND MAINTENANCE




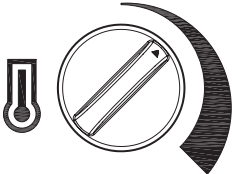
- Clean the trim using a soft cloth, slightly dampened with citrus oil based product and buff with a clean soft cloth.
- DO NOT use brass polish or household cleaners as these products will damage the metal trim. Citrus oil based products can be obtained at supermarkets or hardware stores.
- Periodic cleaning is recommended.
- WARNING: Electrical outlet wiring must comply with local building codes and other applicable regulations to reduce the risk of fire, electrical shock and injury to persons.
- Warning: Disconnect power before attempting any maintenance or cleaning to reduce the risk of fire, electrical shock or personal injury.

OPERATION INSTRUCTIONS



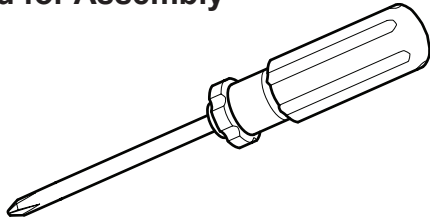
NOTE: Please operate the remote transmitter at a slow measured pace. Press the remote control buttons with an even motion and gentle pressure. Repeatedly pressing buttons in rapid succession may cause the transmitter to malfunction.

OPERATION INSTRUCTIONS

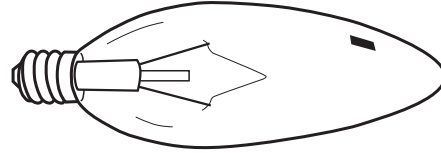
Function	Icon	Description
POWER		The Power button supplies power to all of the functions of the stove and will illuminate the flame effect. This switch must be lit for any of the functions to work.
FLAME		Use + or - to increase or decrease the flame brightness levels.
HEATER		Our stove consists of an infrared type heater. The HEATER button turns the heater ON and OFF. This button will be lit when the heater function is activated.
TEMPERATURE		The Temperature control knob helps regulate the ambient temperature level. The further the knob is rotated clockwise, the higher the set point temperature. Turning the knob counter-clockwise will lower the set point temperature.

BULB REPLACEMENT

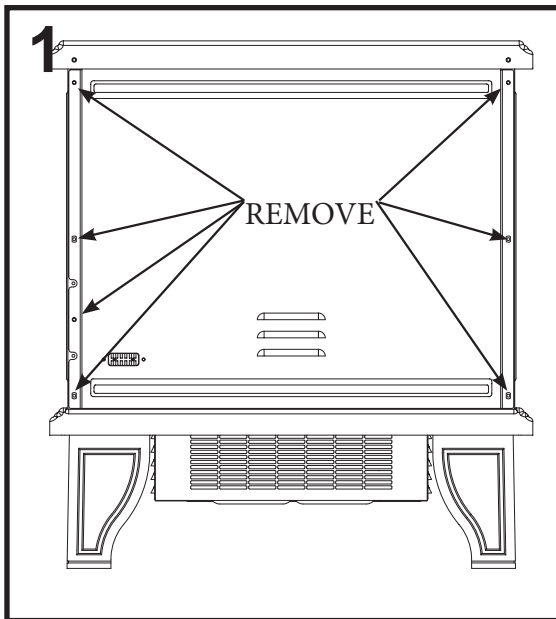
Tools Required for Assembly



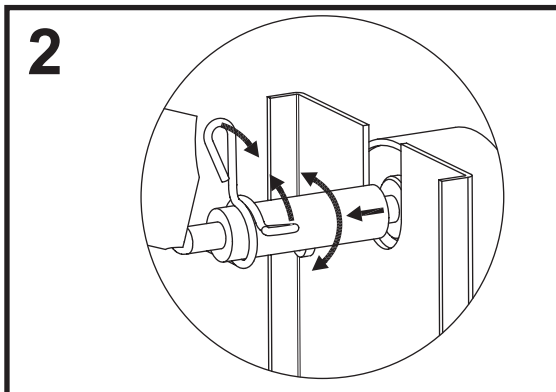
Phillips Head Screwdriver



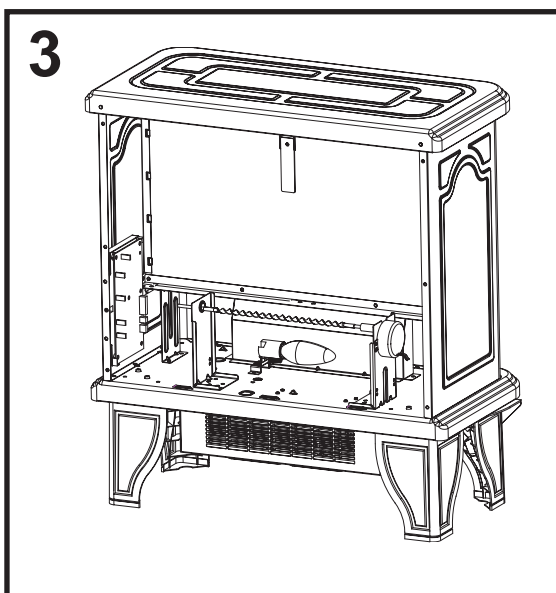
Clear, 40-watt, E12 socket base light bulb
(candelabra base, B bulb).



Unplug the stove. Remove the screws holding the stove back panel in place. Remove the back panel to access the light bulb.



Pinch the spring clip to loosen the spindle, and gently turn and pull the rubber gromet out of the spinner motor shaft. Remove the spindle and set aside.



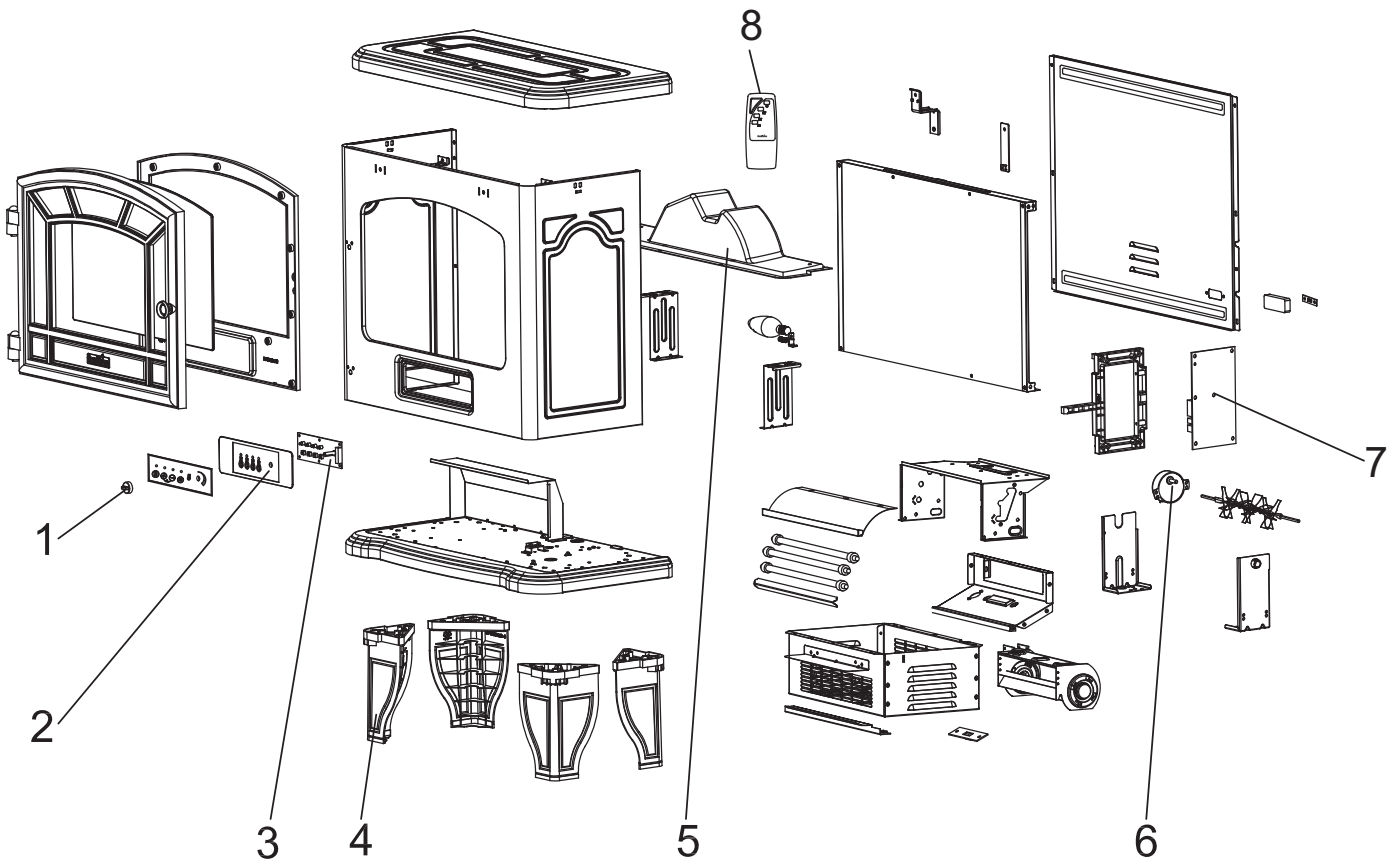
Remove light bulb and replace. Reverse steps 2 and 1; Replace spindle and re-install stove back panel into position; be careful to not overtighten the screws.

TROUBLESHOOTING GUIDE

Problem	Root Cause	Corrective Action
1. No power, buttons do not light up.	1. Power cord was not plugged into the outlet.	1. Check that unit is plugged directly into a standard 120 volt outlet.
2. Stove does not turn on manually.	2a. No incoming power from the electrical wall socket or buttons. 2b. Improper operation. 2c. Defective button	2a. Check circuit breakers and move unit to another outlet. 2b. Manually press main power button from front of unit. 2c. Replace button
3. Flames are not moving	3a. Defective spinner motor 3b. Spinner detached from the motor	3a. Replace spinner motor 3b. Remove the back panel and check to see if “spinner” is correctly mounted to the motor.
4. Flames are not visible	4a. Burnt out light bulb	4a. Replace 40 watt candelabra bulb
5. Flames are not bright	5a. Normal operation 5b. Defective dimmer button	5a. Turn brightness dimmer knob until desired brightness is achieved. 5b. Replace dimmer button
6. Heater is not turning off	6a. Defective Thermostat Button	6. Replace Thermostat Button
7. Heater is not turning on	7a. Improper operation 7b. Defective button 7c. Defective heater blower motor	7a. Manually press main power button on front of unit. 7b. Replace button 7c. Replace heater blower motor.
8. Not producing enough heat	8a. power strip/surge protector/ extension cord being used 8b. Location of unit	8a. Plug unit directly into the wall. 8b. Make sure unit is located on an interior wall.
9. Unit blows cool or cold air	9. Defective heater blower motor	9. Replace heater blower motor
10. Noise with heater on	10a. Dirty heater blower motor 10b. Defective heater blower motor	10a. Gently vacuum heater blower vents. 10b. Replace heater blower motor
11. Noise with flames on and heater off	11a. Defective flame generator drive motor. 11b. Dented back panel 11c. Warped spinner shaft	11a. Replace flame generator drive motor. 11b. Refer to TSI customer service 11c. Refer to TSI customer service
12. Power cord gets warm	12. Normal operation	12. Check your heater cord and plug connections. Faulty wall outlet connections or loose plugs can cause the outlet or plug to overheat. Be sure the plug fits tight in the outlet. Heaters draw more current than small appliances, overheating of the outlet may occur even if it has not occurred with the use of other appliances. During use check frequently to determine if your plug outlet or faceplate is HOT! If so, discontinue use of the heater and have a qualified electrician check and/or replace the faulty outlet(s).
13. Is it safe to place unit on carpet?	13. Product Inquiry	13. It is safe to place unit on carpet but make sure any flammable items are at least 3 feet away from front and sides of the unit.
14. How many square feet will my unit warm up?	14. Product Inquiry	14. Provides supplemental heat up to 1000 square feet
15. Heater doesn't work, but Power and Heater buttons are in the "ON" position and thermostat is set on the highest level.	15. The thermal protector has tripped.	15. Turn all buttons to the "OFF" position and unplug the unit from the wall outlet for 5 minutes. After 5 minutes, plug the unit back into wall outlet and operate as normal.

EXPLODED VIEW

Part	Part Name	Part Number
1	Thermostat Knob	P05-S
2	Control panel	Y15-S165-P85
3	Control panel PCBA	Y15-S165-P32
4	Legs	SL-550-BLK
5	Emberbed	Y15-S45-P02
6	Flame Generator Drive Motor	P10-Q-S
7	Main PCBA	Y15-S165-P15
8	Remote control	P129



FCC/IC INFORMATION

Warning: Changes or modifications to this unit not expressly approved by the party responsible for compliance could void user's authority to operate the equipment.

NOTE: This equipment has been tested and found to comply with the limits for Class B digital device, pursuant to part 15 of the FCC Rules. These limits are designed to provide reasonable protection against harmful interference in a residential installation. This equipment generates, uses, and can radiate radio frequency energy and, if not installed and used in accordance with the instructions, may cause harmful interference to radio communications.

However, there is no guarantee that interference will not occur in a particular installation. If this equipment does cause harmful interference to radio or television reception, which can be determined by turning the equipment off and on, the user is encouraged to try to correct the interference by one or more of the following measures.

- Reorient or relocate the receiving antenna.
- Increase the separation between the equipment and the receiver.
- Connect the equipment into an outlet on a circuit different from that to which the receiver is connected.
- Consult the dealer or an experienced radio/TV technician for help.

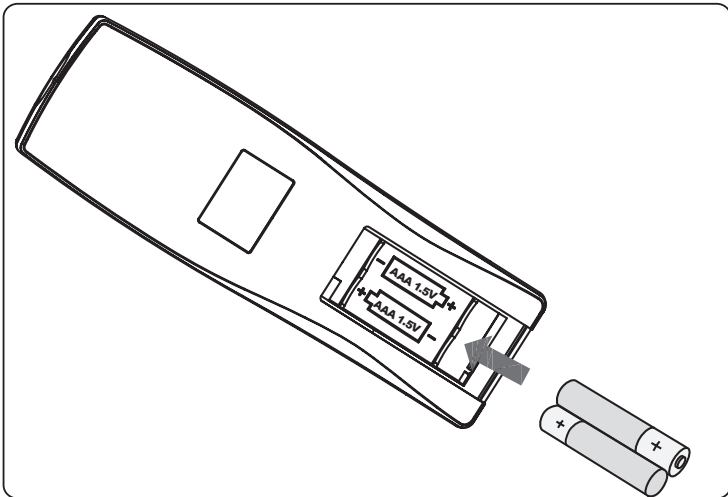
This device complies with Part 15 of the FCC Rules. Operation is subject to the following two conditions:

- (1) This device may not cause harmful interference, and
- (2) this device must accept any interference received, including interference that may cause undesired operation. Modifications not approved by the party responsible for compliance could void user's authority to operate the equipment.

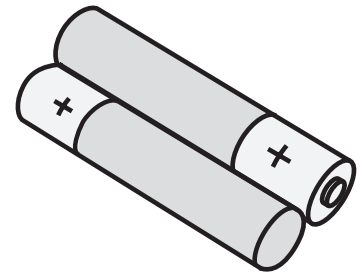
This Class B digital apparatus complies with Canadian ICES-003.

BATTERY REPLACEMENT

NOTE: Do not mix old and new batteries.
Do not mix alkaline, standard (carbon zinc), or rechargeable (nicad, nimh, etc.) batteries.



Note:
Battery disposal
Please always dispose of batteries
at a suitable recycling point.



CAUTION:

- Always purchase the correct size and grade of battery most suitable for the intended use.
- Replace all batteries of a set at the same time.
- Clean the battery contacts and also those of the device prior to battery installation.
- Ensure the batteries are installed correctly with regard to polarity (+ and -).
- Remove batteries from equipment which is not to be used for an extended period of time.
- Remove used batteries promptly.

Caution: Do not ingest batteries.

Non-rechargeable batteries are not to be recharged.

Batteries are to be inserted with the correct polarity.

Exhausted batteries are to be removed from the product.

1-YEAR LIMITED WARRANTY

The manufacturer warrants that your new Electric Stove is free from manufacturing and material defects for a period of one year from date of purchase, subject to the following conditions and limitations.

1. Install and operate this appliance in accordance with the installation and operating instructions furnished with the product at all times. Any unauthorized repair, alteration, willful abuse, accident, or misuse of the product shall nullify this warranty.
2. This warranty is non-transferable, and is made to the original owner, provided that the purchase was made through an authorized supplier of the product.
3. The warranty is limited to the repair or replacement of part(s) found to be defective in material or workmanship, provided that such part(s) have been subjected to normal conditions of use and service, after said defect is confirmed by the manufacturer's inspection.
4. The manufacturer may, at its discretion, fully discharge all obligations with respect to this warranty by refunding the wholesale price of the defective part(s).
5. Any installation, labor, construction, transportation, or other related costs/expenses arising from defective part(s), repair, replacement, or otherwise of same, will not be covered by this warranty, nor shall the manufacturer assume responsibility for same.
6. The owner/user assumes all other risks, if any, including the risk of any direct, indirect or consequential loss or damage arising out of the use, or inability to use the product, except as provided by law.
7. All other warranties – expressed or implied – with respect to the product, its components and accessories, or any obligations/liabilities on the part of the manufacturer are hereby expressly excluded.
8. The manufacturer neither assumes, nor authorizes any third party to assume on its behalf, any other liabilities with respect to the sale of the product.
9. The warranties as outlined within this document do not apply to non accessories used in conjunction with the installation of this product.
10. This warranty gives you specific legal rights, and you may also have other rights which vary from state to state.

This warranty is void if:

- a. The fireplace is subjected to prolonged periods of dampness or condensation.
- b. Any unauthorized alteration, willful abuse, accident, or misuse of the product.
- c. You do not have the original receipt of purchase.

CUSTOMER SERVICE

www.tsicustomerservice.com

For Customer Service Call 1-800-318-9373

Questions? Our message centers are available 7 days a week 24 hours a day at our toll-free help line. Our Consumer Service department is available Monday – Friday 8:30 am – 5:30 pm EST. We can help you with assembly and if necessary, replace damaged/missing parts.

IMPORTANT:

Before contacting Customer Service please have this information available:

- Serial Number
- Model Number
- Sales Receipt or Proof of Purchase

INSTRUCCIONES IMPORTANTES

Al utilizar aparatos eléctricos, siempre deberán tomarse precauciones básicas para reducir el riesgo de incendio, descarga eléctrica y lesiones a personas. Éstas incluyen:

1. Lea todas las instrucciones antes de usar este aparato.
2. Este aparato se calienta cuando está en uso. Para evitar quemaduras, no permita que la piel sin protección entre en contacto con superficies calientes. Si están incluidas, utilice las manijas para mover este aparato. Mantenga los materiales inflamables, como muebles, almohadas, ropa de cama, papeles, prendas de vestir y cortinas, a un mínimo de 1 metro (3 pies) de distancia de la parte frontal de este aparato.
ADVERTENCIA: Para evitar un sobrecalentamiento, no cubra el calentador. No puede utilizarse en guardarropas.
3. PRECAUCIÓN: Nunca deje la estufa desatendida operativo. Ponga extremo cuidado cuando los niños o personas inválidas sin super visión están cerca.
4. El aparato no debe ser utilizado por niños o personas con capacidades mentales, sensoriales o físicas disminuidas o con falta de experiencia o conocimiento, a menos que sean supervisados o que hayan recibido instrucciones.
5. Siempre desenchufe este aparato cuando no esté en uso.
6. No opere ningún calentador con un cable o enchufe dañado o luego de que éste funcione incorrectamente, o si se cae o se daña de cualquier manera.
7. No opere ningún calentador con un cable o enchufe dañado o luego de que éste funcione incorrectamente, o si se cae o se daña de cualquier manera.
8. No utilice el aparato en exteriores.
9. Este calentador no está diseñado para su uso en baños, áreas de lavado ni lugares interiores similares. Nunca coloque este aparato en un lugar desde el que podría caer a una bañera o a otro recipiente con agua.
10. No pase el cable debajo de una alfombra. No cubra el cable con alfombras pequeñas, tapetes o elementos similares. No cable de ruta debajo de los muebles o electrodomésticos. Coloque el cable lejos de las áreas de paso y donde no ocasione tropezones.
11. Para desconectar este aparato, coloque los controles en la posición de apagado y luego retire el enchufe del tomacorriente.
12. Este calentador no está diseñado para su uso en baños, áreas de lavado ni lugares interiores similares. Nunca coloque este aparato en un lugar desde el que podría caer a una bañera o a otro recipiente con agua.
13. A fin de evitar un posible incendio, no bloquee las entradas ni las salidas de aire de ninguna manera. No utilice el aparato sobre superficies blandas, como una cama, donde la abertura podría bloquearse.
14. Este aparato tiene piezas calientes y piezas que producen arcos eléctricos o chispas en el interior. No lo utilice en áreas donde se usen o guarden líquidos inflamables, gasolina o pintura. Esta chimenea no debe utilizarse como un soporte para secar ropa. No deben colgarse medias para los regalos de Navidad ni elementos decorativos cerca del aparato.
15. Utilice este aparato únicamente como se describe en el manual. Cualquier otro uso no recomendado por el fabricante podría causar incendio, descarga eléctrica o lesiones a personas.
16. Conectar solamente a una toma de corriente con conexión a tierra adecuada, ver figura 1. Este calentador debe utilizarse con 120 voltios. No utilice un adaptador de 2 clavijas. Nunca use un cable de extensión o tomas de alimentación reubicable (enchufes/ regletas).

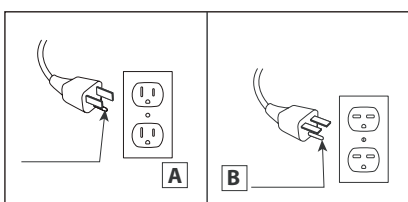


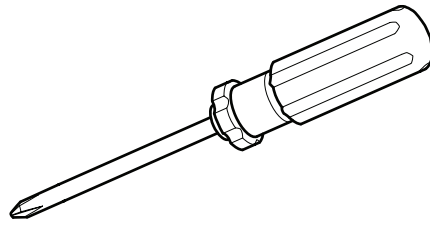
Fig.1



GUARDE ESTAS INSTRUCCIONES

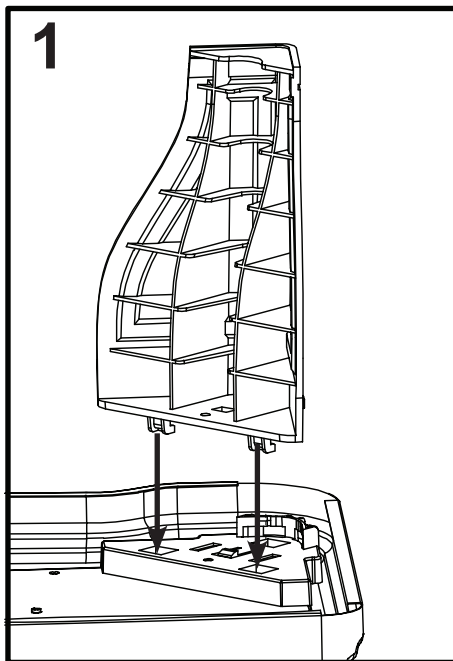
INSTRUCCIONES DE INSTALACIÓN

Herramientas requeridas para el ensamblado

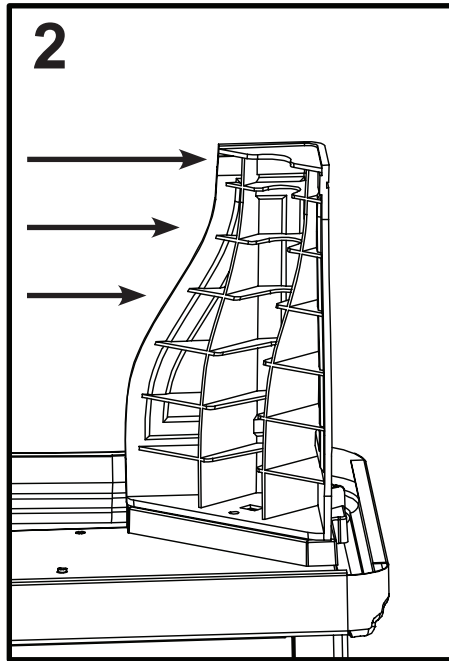


Destornillador de cabezal Phillips

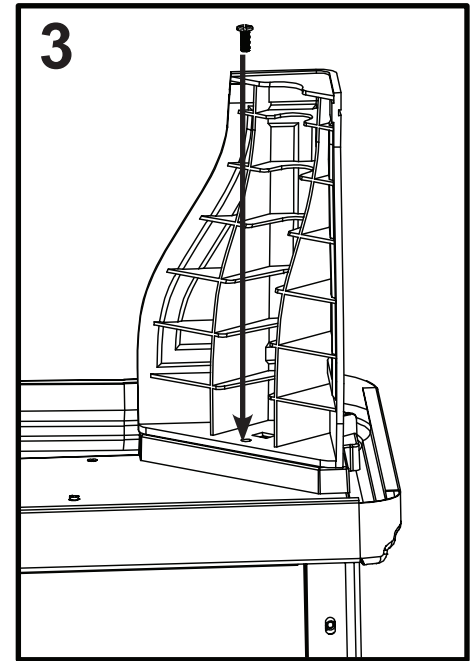
Leg Asamblea



1
Alinee las 2 pestañas de montaje en el soporte.



2
Deslice las patas hacia fuera para que encajen en su lugar. Cuando esté encajado en su posición, el agujero del tornillo del paso 3 quedará alineado.

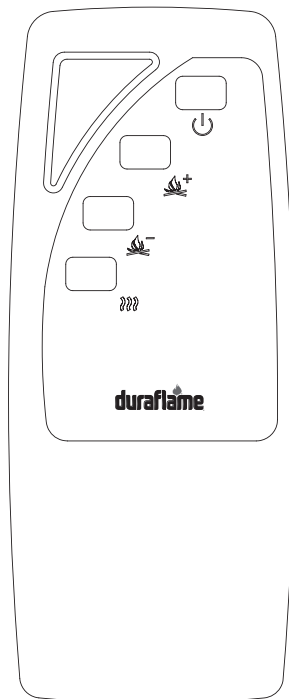
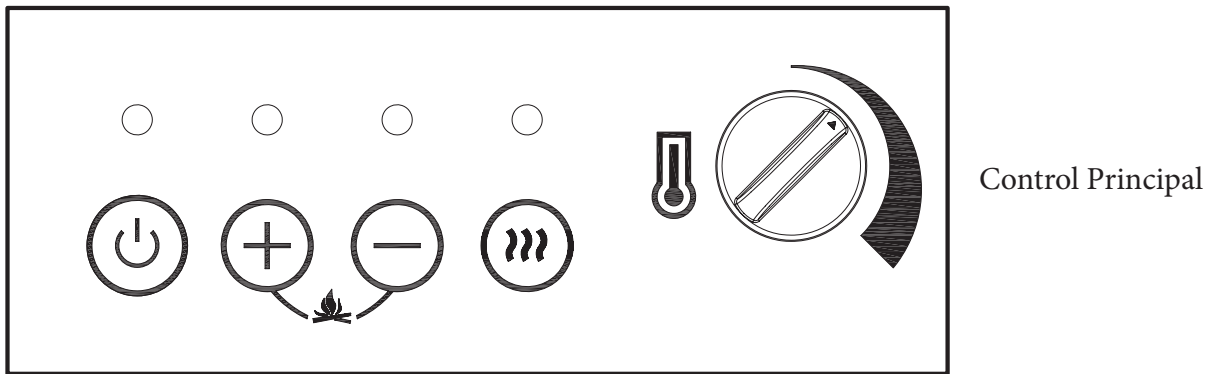
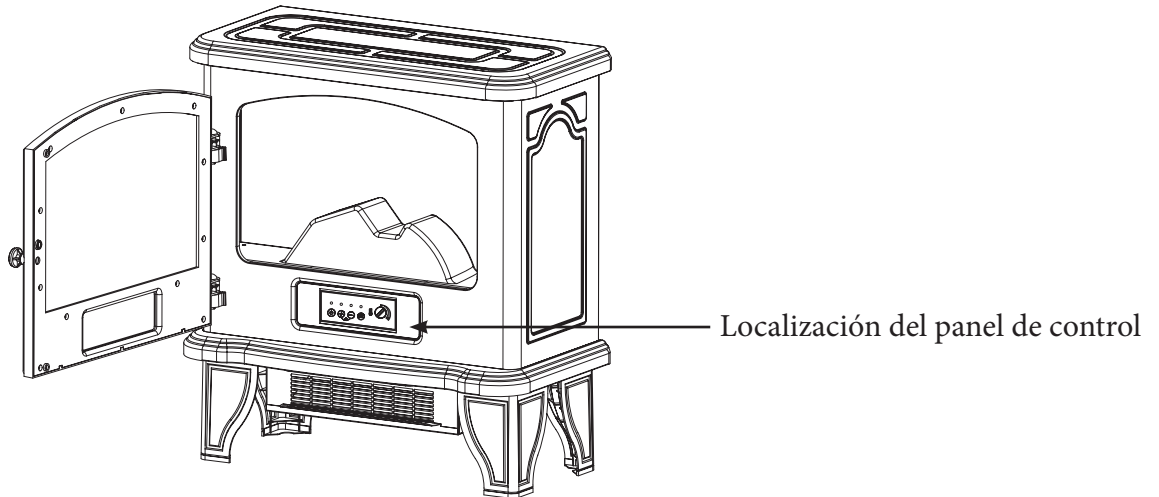


3
Fije las patas en la base al utilizar los tornillos incluidos, 1 por pata

CUIDADO Y MANTENIMIENTO




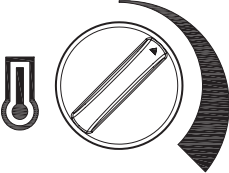
- Limpie la moldura metálica con un paño suave humedecido con un producto a base de aceite cítrico y púlalo con un paño suave y limpio.
- NO utilice productos de limpieza domésticos ni limpiametales, ya que estos productos dañarán la moldura metálica. Los productos a base de aceite cítrico pueden conseguirse en supermercados o ferreterías.
- Se recomienda la limpieza periódica.
- **ADVERTENCIA:** El cableado del tomacorriente eléctrico debe cumplir con los códigos de edificación locales y otras normas aplicables, a fin de reducir el riesgo de incendio, descarga eléctrica y lesiones a personas.
- **ADVERTENCIA:** Desconecte la alimentación antes de intentar realizar mantenimiento o limpieza a fin de reducir el riesgo de incendio, descarga eléctrica o lesiones personales.

INSTRUCCIONES DE OPERACIÓN



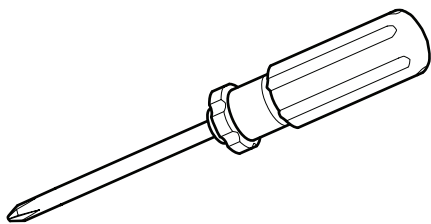
NOTA: Opere el transmisor remoto lentamente. Presione los botones del control remoto con un movimiento parejo y una presión suave. Presionar los botones repetidamente en una secuencia rápida puede causar un mal funcionamiento del transmisor.

INSTRUCCIONES DE OPERACIÓN

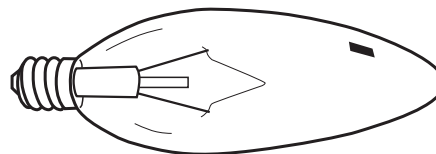
FUNCIÓN	ICONO	DESCRIPCIÓN
ENCENDIDO		Utilice el botón de encendido para encender o apagar la estufa desde el control remoto o desde el panel de control.
LLAMA		Utilizar + o - para aumentar o disminuir los levels brillo de la llama.
CALENTADOR		La chimenea consiste en un calentador tipo elemento de alambre con ventilador. El interruptor CALENTADOR enciende (ON) y apaga (OFF) el calentador. Para que funcione el calentador, este interruptor deberá estar en la posición de encendido.
TEMPERATURE		<p>El mando del termostato controla el ajuste del termostato.</p> <p>Al girar el mando hacia la derecha aumentará ajuste del termostato. Si gira el mando hacia la izquierda disminuirá la ajuste del termostato.</p> <p>Cuando el calentador alcanza el ajuste se apagará hasta que la habitación se enfría momento en el que el calentador se volverá a encender el termostato.</p>

REEMPLAZO DE LAS BOMBILLA

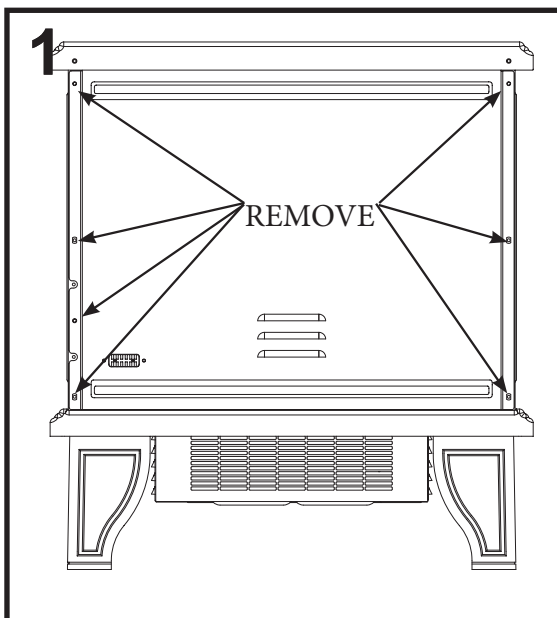
Herramientas requeridas para el ensamblado



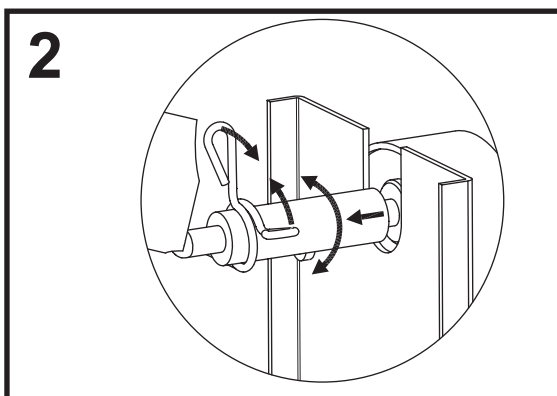
Destornillador de cabezal Phillips



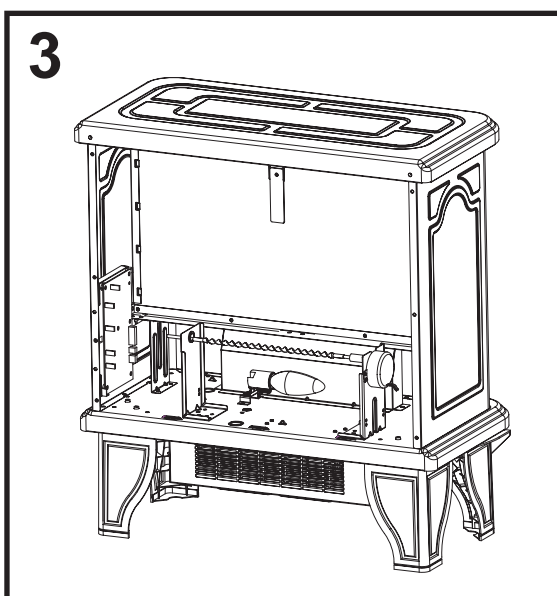
transparentes, 40-watt, socket E12 base de la bombilla de luz (candelabros de base, bombilla B).



Desenchufe estufa. Quite los tornillos que sujetan el panel posterior estufa en su lugar. Quite el panel posterior para acceder a la bombilla.



Ajuste la abrazadera de resorte para aflojar el husillo y jale de la arandela de goma para quitarla del eje del motor del rotador. Retire el eje y reservar.



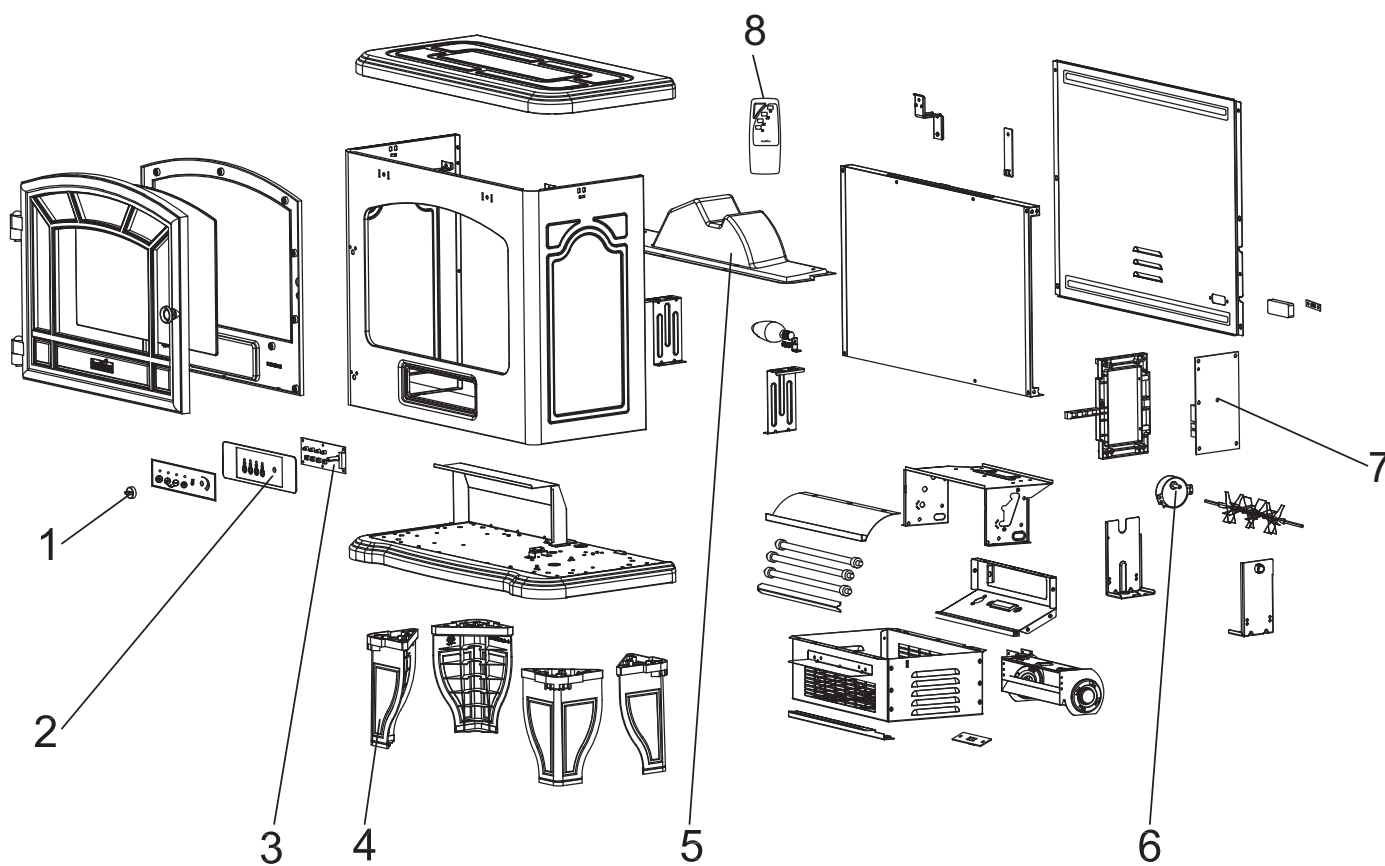
Quite el foco y reemplácelo. Invierta los pasos 2 y 1; Sustituir cabezal y vuelva a instalar el panel estufa en su posición, tengan cuidado de no apretar demasiado los tornillos.

GUÍA PARA SOLUCIÓN DE PROBLEMAS

Problema	Causa	Medidas correctivas
1. Sin energía, los interruptores no se encienden.	1. El cable de alimentación no estaba enchufado en la toma de corriente.	1. Compruebe que la unidad esté enchufada directamente a una toma de corriente estándar de 120V.
2. La estufa no se enciende manualmente.	2a. No hay corriente entrante de la toma de corriente eléctrica o de los interruptores. 2b. Funcionamiento incorrecto 2c. Interruptor defectuoso	2a. Compruebe los interruptores y mueva la unidad a otra toma de corriente. 2b. Pulse manualmente el botón de corriente principal de la parte delantera de la unidad. 2c. Reemplace el interruptor
3. Las llamas no se mueven	3a. El motor del disco giratorio está defectuoso 3b. El disco giratorio se cayó del soporte	3a. Reemplace el disco giratorio del motor 3b. Quite el panel posterior y compruebe si el "disco giratorio" está montado correctamente en el motor.
4. Las llamas no son visibles	4a. Se quemaron las bombillas/LED de la tarjeta	4a. Vuelva a colocar candelabros de 40 vatios bombillas bordo.
5. Las llamas no brillan	5a. Operación normal 5b. Interruptor del atenuador defectuoso	5a. Gire la perilla del atenuador de brillo hasta que se alcance el brillo deseado. 5b. Reemplace el interruptor del atenuador
6. El calentador no se apaga	6a. Interruptor defectuoso	6. Reemplace el interruptor
7. El calentador no se enciende	7a. Funcionamiento incorrecto 7b. Interruptor defectuoso 7c. Motor del ventilador del calentador defectuoso	7a. Pulse manualmente el botón de corriente principal en la parte delantera de la unidad. 7b. Reemplace el interruptor 7c. Reemplace el motor del ventilador del calentador.
8. No produce suficiente calor	8a. Regleta/protector de sobrecarga/cable de extensión que se utiliza 8b. Ubicación de la unidad	8a. Enchufe la unidad directamente en la pared. 8b. Asegúrese de que la unidad está ubicada en una pared interior.
9. La unidad sopla aire fresco o frío	9. Motor del ventilador del calentador defectuoso	9. Reemplace el motor del ventilador del calentador
10. Ruido con el calentador encendido	10a. El motor del ventilador del calentador está sucio 10b. Motor del ventilador del calentador defectuoso	10a. Suavemente aspire las entradas del ventilador del calentador. 10b. Reemplace el motor del ventilador del calentador
11. Ruido con llamas encendidas y el calentador apagado	11a. Motor generador de llamas defectuoso 11b. Panel posterior abollado 11c. Eje del disco giratorio deformado.	11a. Reemplace el motor generador de llamas. 11b. Consulte al servicio de atención al cliente de TSI 11c. Consulte al servicio de atención al cliente de TSI
12. El cable de alimentación se calienta	12. Operación normal	12. Compruebe que el cable del calentador y las conexiones de enchufe. Toma de corriente defectuosa conexiones o enchufes sueltos pueden hacer que la toma de corriente o el enchufe se recaliente. Asegúrese de que el enchufe queda ajustado en la salida. Calentadores consumen más corriente, de pequeños electrodomésticos, el sobrecalentamiento de la toma de corriente puede producirse incluso sino se ha producido con el uso de otros aparatos. durante el uso comprobar con frecuencia para determinar si el tapón de salida o la placa frontal es CALIENTE! Si es así, deje de utilizar el calentador y tienen un calificado electricista de cheques y / o sustituir la toma de corriente defectuosa (s).
13. ¿Es seguro colocar la unidad sobre una alfombra?	13. producto inquiriy	13. Es seguro colocar la unidad sobre una alfombra, pero asegúrese de que los objetos inflamables están por lo menos a 3 pies (0.9 M) de distancia desde la parte frontal y laterales de la unidad.
14. ¿Cuántos pies cuadrados mi unidad calentará?	14. producto inquiriy	14. Hasta 1000 pies cuadrados.
15. Calentador no funciona, Pero el poder y botones Calentador están en la posición "ON" posición y termostato está programado a el más alto nivel.	15. El protector térmico se activó.	15. Coloque todos los interruptores en la posición apagado y desenchufe la unidad del tomacorriente de pared durante cinco (5) minutos. Transcurridos los cinco (5) minutos, enchufe nuevamente la unidad al tomacorriente y use normalmente.

VISTA DESPLEGADA

Pieza	nombre de la pieza	nombre de de pieza
1	Perilla del termostato	P05-S
2	panel de control	Y15-S165-P85
3	panel de Control PCBA	Y15-S165-P32
4	Pies	SL-550-BLK
5	Lecho de brasas	Y15-S45-P02
6	Motor de generación de llama	P10-Q-S
7	PCBA Principal	Y15-S165-P15
8	Control remoto	P129



INFORMACIÓN DE FCC/IC

Advertencia: Los cambios o modificaciones en esta unidad, que no sean aprobados directamente por la parte responsable del cumplimiento, podría anular el derecho de operar el equipo por parte del usuario.

NOTA: Este equipo ha sido probado y cumple con los límites especificados para dispositivos digitales de Clase B, conforme a la parte. 15 de las Normas de la FCC. Estos límites están diseñados para proporcionar una protección razonable contra las interferencias que sean perjudiciales en una instalación residencial. Este equipo genera, utiliza y puede irradiar energía de radiofrecuencia y, si no se instala y no se utiliza de acuerdo con las instrucciones, puede causar interferencias perjudiciales en las comunicaciones de radio.

Sin embargo, no hay garantía de que no se produzcan interferencias en una instalación en particular. Si este equipo causa interferencias perjudiciales en la recepción de radio o televisión, lo cual puede ser determinado cuando se apaga y enciende este aparato, se recomienda al usuario que intente corregir la interferencia con alguna(s) de las siguientes medidas.

- Reorientar o reubicar la antena de recepción.
- Aumentar la separación entre el equipo y el receptor.
- Conectar el equipo a un tomacorriente de un circuito distinto al que usa el receptor.
- Solicitar ayuda al concesionario o a un técnico con experiencia en radio/TV.

Este dispositivo cumple con la sección 15 de las reglas de la FCC. El funcionamiento está sujeto a las siguientes dos condiciones:

- (1) este dispositivo no debe causar interferencia perjudicial, y
- (2) este dispositivo deberá aceptar cualquier interferencia recibida, incluida la interferencia que pudiese causar la operación no deseada.

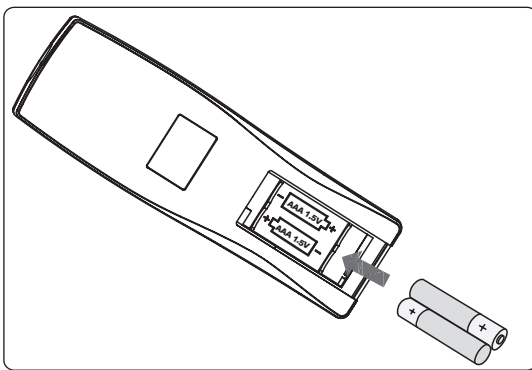
Las modificaciones que no estén aprobadas por la parte responsable del cumplimiento podrían anular la autorización del usuario para utilizar el equipo.

Este instrumento digital clase B cumple con el ICES-003 de Canadá.

REEMPLAZO DE BATERÍA

Nota: No mezclar baterías viejas con nuevas.

No mezclar baterías alcalinas, baterías recargables (de Ni-Cd, Ni-MH, etc.) y baterías estándar (de zinc-carbono).



PRECAUCIÓN:

- Siempre compre las pilas de tamaño y grado correctos para este uso.
- Reemplace todas las pilas de un set al mismo tiempo.
- Limpie los contactos de las pilas y los del aparato antes de colocar las pilas.
- Asegúrese que las pilas estén bien colocadas respecto a la polaridad (+ y -).
- Retire las pilas del equipo si no se va a utilizar por un tiempo prolongado.
- Retire las pilas usadas de inmediato.

Precaución: por ingestión.

Las pilas no recargables no deben ser recargadas.

Las baterías deben ser insertadas con la polaridad correcta.

Las baterías agotadas deben ser retiradas del producto.

GARANTÍA LIMITADA DE 1 AÑO

El fabricante garantiza que su nueva estufa eléctrica no presentará defectos de fabricación ni materiales durante un período de un año a partir de la fecha de compra, siempre y cuando se cumplan las siguientes condiciones y limitaciones.

1. Esta estufa eléctrica se debe instalar y operar en todo momento de acuerdo con las instrucciones de instalación y operación proporcionadas con el producto. Cualquier reparación no autorizada, alteración, abuso deliberado, accidente o uso inadecuado del producto anulará esta garantía.
2. Esta garantía no es transferible y sólo está disponible para el propietario original, siempre y cuando la compra se haya realizado a través de un proveedor autorizado del producto.
3. Esta garantía se limita a la reparación o reemplazo de piezas que se consideren defectuosas en material o mano de obra, siempre y cuando dicha pieza haya estado sometida a condiciones normales de uso y servicio, después de que una inspección por parte del fabricante confirme dicho defecto.
4. Esta garantía no cubre las bombilla incluidas con la estufa eléctrica.
5. El fabricante podrá, bajo su criterio, eximirse de toda obligación respecto de esta garantía reembolsando el precio al por mayor de la pieza defectuosa.
6. Esta garantía no cubre ningún costo de instalación, mano de obra, fabricación, transporte o de otro tipo que surja de la pieza defectuosa, su reparación, reemplazo u otra situación, y el fabricante no asume ninguna responsabilidad por las mismas.
7. El dueño/usuario asume todos los riesgos, si los hay, incluidos los riesgos de daños o pérdidas directos, indirectos o resultantes antes que surjan del uso del producto, o de la incapacidad para usarlo, salvo que la ley estipule lo contrario.
8. Mediante el presente, se excluye expresamente cualquier otra garantía, expresa o implícita, respecto del producto, sus componentes y accesorios, o cualquier otra obligación o responsabilidad de parte del fabricante.
9. El fabricante no asume ni autoriza a ningún tercero a asumir en su nombre ninguna otra responsabilidad respecto de la venta de este producto.
10. Las garantías descritas en este documento no se aplican a accesorios que no sean del fabricante y que se usen junto con la instalación de este producto.

Esta garantía es nula si:

- a. La chimenea está sometida a períodos prolongados de humedad o condensación.
- b. Se produce cualquier alteración no autorizada, abuso deliberado, accidente o uso inadecuado del producto.
- c. Usted no tiene el recibo original de compra.

SERVICIO AL CLIENTE

www.tsicustomerservice.com

Por Call 1-800-318-9373 Servicio al Cliente

¿Tiene preguntas? Nuestro Centro de mensajes está disponible 7 días de la semana, 24 horas del día con nuestra línea de ayuda gratuita. Nuestro departamento de Servicio al Consumidor está disponible de Lunes a Viernes, de 8:30 am hasta las 5:30 pm EST. Le podemos ayudar con ensamblaje y si es necesario con el reemplazo de piezas dañadas o pérdidas.

IMPORTANTE:

Antes de comunicarse con atención al cliente, tenga disponible la siguiente información:

- Número de serie
- Número de modelo
- Recibo de compra o prueba de compra