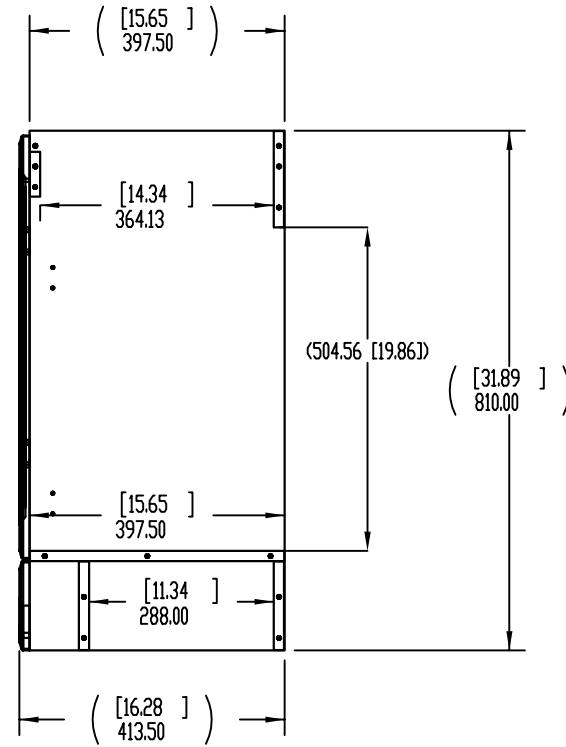
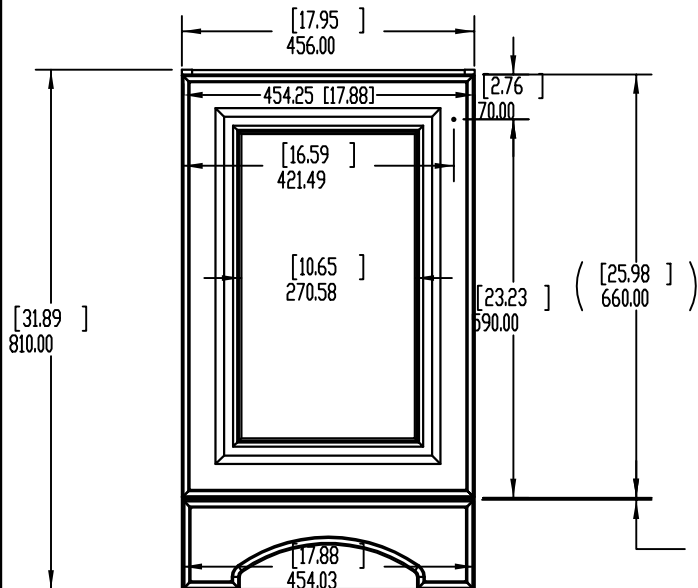
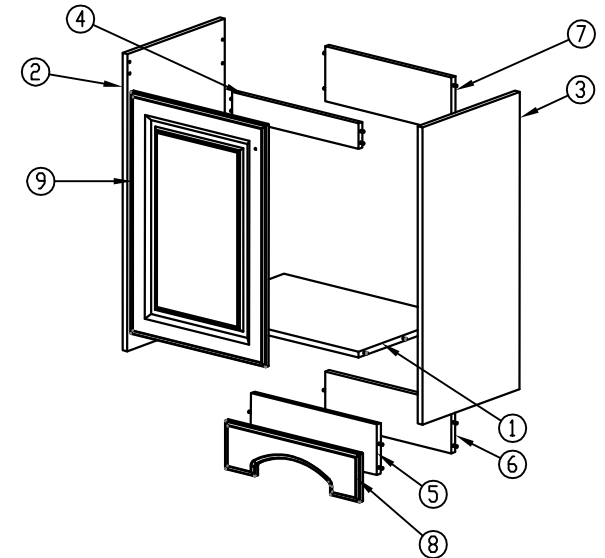
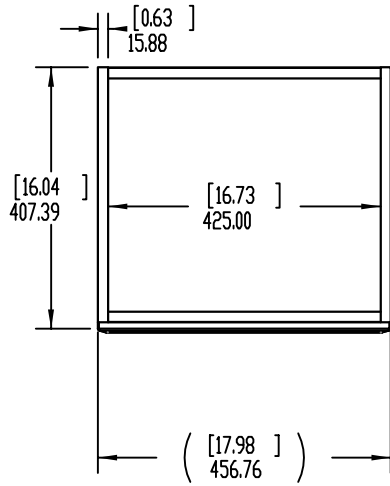


REV	ECD#	DESCRIPTION	REV'D BY DATE	CHK'D BY DATE	APRV'D BY DATE
0		Released	CG 03/10/09	EDL 03/10/09	



ITEM	ITEM ID	ITEM ID	QTY
	GB18P2-WA	GB18P2-WH	
1	120724	120650	1
2	221060	221442	1
3	221061	221443	1
4	141031	140946	1
5	140904	140904	1
6	141030	140046	1
7	141029	140045	1
8	517034	516893	1
9	292075	292566	1



PROPRIETARY AND CONFIDENTIAL
 THE INFORMATION CONTAINED IN THIS DRAWING IS THE
 SOLE PROPERTY OF WOODCRAFTERS HOME PRODUCTS
 L.L.C. ANY REPRODUCTION IN PART OR AS A WHOLE
 WITHOUT THE WRITTEN PERMISSION OF WOODCRAFTERS
 HOME PRODUCTS L.L.C. IS PROHIBITED.

UNLESS OTHERWISE SPECIFIED
 DIMENSIONS ARE IN mm
 and[inches]
 AND TOLERANCES ARE
 +/- 0.5[0.02]

DRAWN BY:	C.GARCIA	06/22/12
CHECKED BY:	J.MORENO	06/22/12
APPROVED BY:	E.DE LEON	06/22/12
DO NOT SCALE DRAWING	SCALE: 1:12	SIZE:

TITLE:	18in COMBO, ARKANSAS FULL DOOR, FURNITURE TOE KICK
PART NO:	GB18P2
PAGE	1 OF 1
REV:	0