

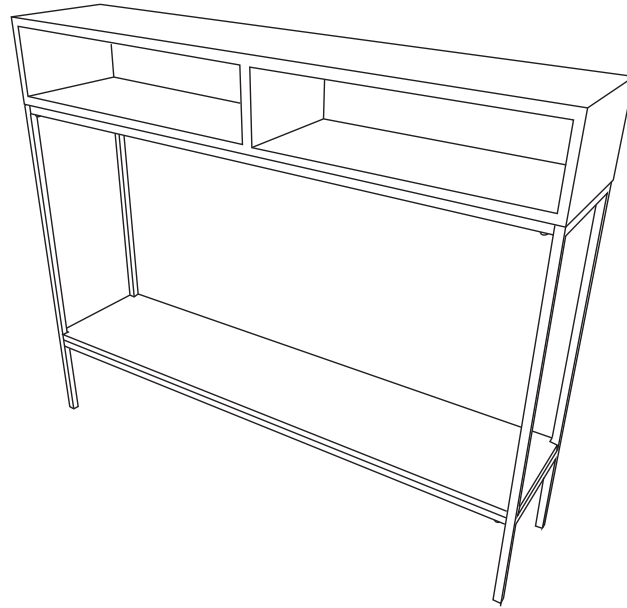


CAROLINA FORGE

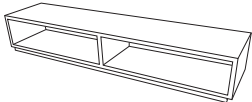
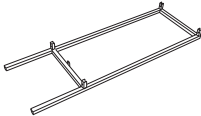
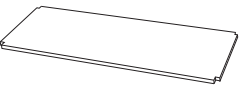





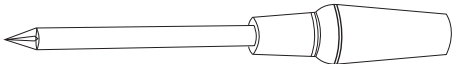
Assembly Instructions

Item # CF4234

CONSOLE WITH TWO CUBBY TOP AND SHELF



Thank you for purchasing a Carolina Forge Company product. This product has been designed for easy assembly and is constructed for durability. Please take the time to read and follow the assembly instructions carefully. If a part or hardware is missing or you have any difficulties in assembling this product, please contact us Toll Free 1-800-228-3876.

NO.	PARTS	DESCRIPTION	Q'TY	NO.	PARTS	DESCRIPTION	Q'TY	
A		Console Top	1 PC	B		R & L Leg Assembly	2 PC	
C		Bottom Shelf	1 PC	D		Allen Head Wrench 4MM	1 PC each	
E		Flat Washer	8 PCS	F		Spring Washer	8 PCS	
G		Allen Head Bolt M6 X 12	8 PCS	H		Wood Screw 12mm	2 PCS	
I				Tool You Will Need (Not Supplied)			Crosshead Screwdriver	1PC



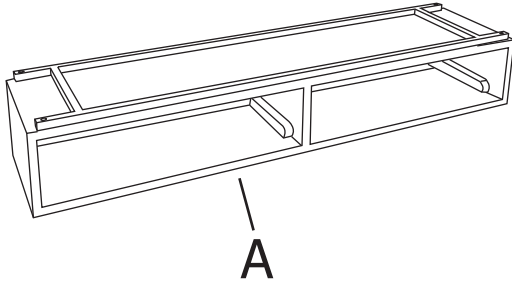
CAROLINA FORGE

Assembly Instructions

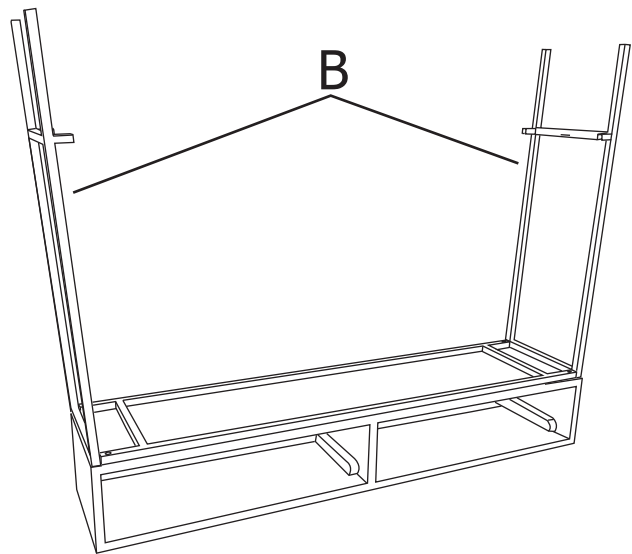
Item # CF4234

CONSOLE WITH TWO CUBBY TOP AND SHELF

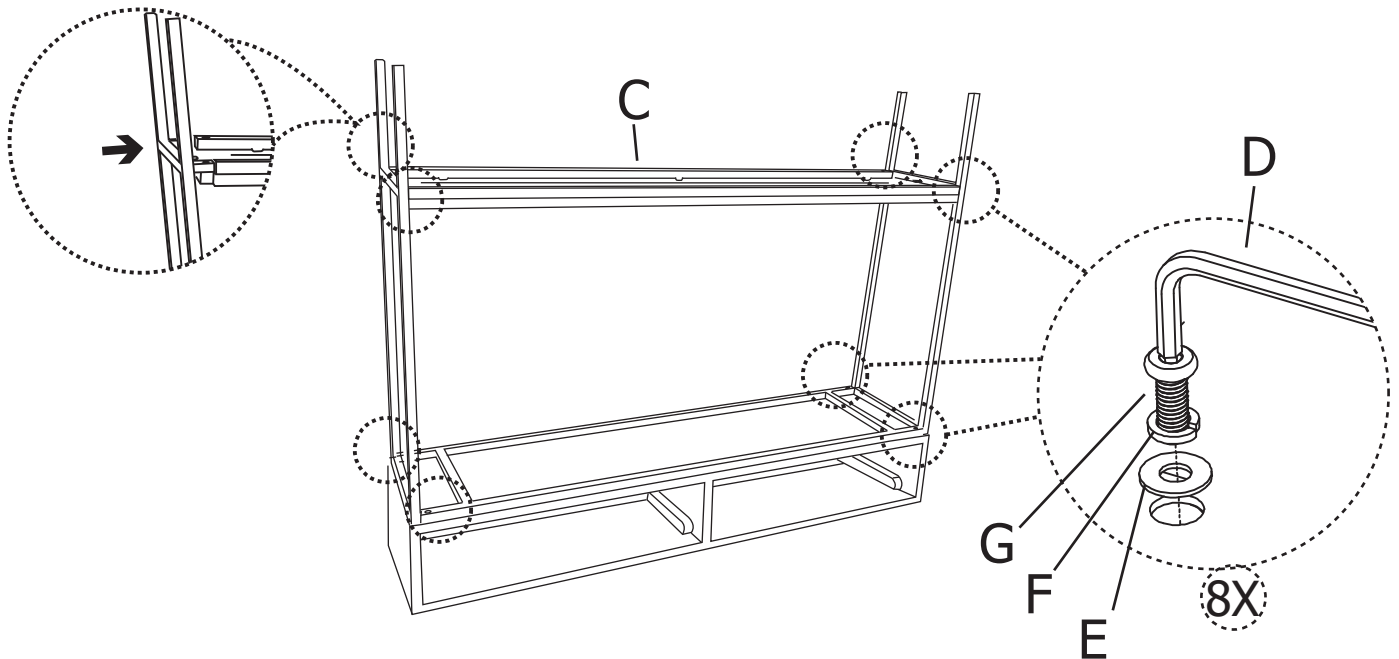
STEP 1



STEP 2



STEP 3





CAROLINA FORGE

Assembly Instructions

Item # CF4234

CONSOLE WITH TWO CUBBY TOP AND SHELF

STEP 4

