

EFRF200-6COM

# Chest Freezer

## *use & care*

<b>General Safety Rules</b> .....	<b>2</b>
<b>Save These Instructions</b> .....	<b>3</b>
<b>Parts And Features</b> .....	<b>4</b>
<b>Installing Your Freezer</b> .....	<b>5</b>
<b>Freezer Features and Use</b> .....	<b>7</b>
<b>Manual Defrosting Instructions</b> .....	<b>8</b>
<b>Proper Freezer Care and Cleaning</b> .....	<b>11</b>
<b>Troubleshooting</b> .....	<b>12</b>
<b>Product Specifications</b> .....	<b>13</b>
<b>Limited Warranty</b> .....	<b>14</b>

# GENERAL SAFETY RULES



**WARNING:** Read all of the instructions before using this appliance. When using this appliance, always exercise basic safety precautions, including the following:

**NOTE:** If the freezer has been placed in a horizontal or tilted position for any period of time wait 24 hours before plugging the unit in.

1. Use this appliance only for its intended purpose as described in this use and care guide.
2. This freezer must be properly installed in accordance with the installation instructions before it is used. See grounding instructions in the installation section.
3. Never unplug your freezer by pulling on the power cord. Always grasp the plug firmly and pull straight out from the outlet.
4. Repair or replace immediately, all electric service cords that have become frayed or otherwise damaged. Do not use a cord that shows cracks or abrasion damage along its length, the plug or the connector end.
5. Unplug your freezer before cleaning or before making any repairs.  
**Note:** *If for any reason this product requires service, we strongly recommend that a certified technician performs the service.*
6. Do not use any electrical device or any sharp instrument in defrosting your freezer.



7. **WARNING:** After your freezer is in operation, do not touch the cold surfaces in the freezer compartment, particularly when hands are damp or wet. Skin may adhere to these extremely cold surfaces.
8. Do not refreeze foods, which have been thawed completely. The United States Department of Agriculture in Home and Garden Bulletin No. 69 reads: "...You may safely refreeze frozen foods that have thawed if they still contain ice crystals or if they are still cold-below 40°F".

"...Thawed ground meats, poultry, or fish that have any off-odor or off-color should not be refrozen and should not be eaten. Thawed ice cream should be discarded. If the odor or color of any food is poor or questionable, discard it. The food may be dangerous to eat."

"...Even partial thawing and re-freezing reduce the eating quality of foods, particularly fruits, vegetables, and prepared foods. The eating quality of red meats is affected less than that of many other foods. Use refrozen foods as soon as possible, to save as much of its eating quality as you can

9. This freezer should not be recessed or built-in an enclosed cabinet. It is designed for freestanding installation only.
10. Do not operate your freezer in the presence of explosive fumes.

## SAVE THESE INSTRUCTIONS

### DANGER


Risk of child entrapment. Before you throw away your old refrigerator or freezer, take off the doors. Leave the shelves in place so that children may not easily climb inside.

This appliance is not intended for use by persons including children with reduced physical sensory or mental capabilities or lack of experience and knowledge unless they have been given supervision or instruction concerning use of the appliance by a person responsible for their safety

Children should be supervised to ensure that they do not play with the appliance.


Do not use extension cords or ungrounded (two prong) adapters.

If the supply cord is damaged, it must be replaced by the manufacturer, its service agent or similar qualified person in order to avoid hazard.

 **WARNING:** Keep ventilation openings, in the appliance enclosure or in the built-in structure, clear of obstruction.


 **WARNING:** Do not use mechanical devices or other means to accelerate the defrosting process other than those recommended by the manufacturer


 **WARNING:** Do not damage the refrigerant circuit.

 **WARNING:** Do not use electrical appliances inside the food storage compartments of the appliance, unless they are of the type recommended by the manufacturer.

This appliance is intended to be used in household and similar applications such as

- Staff kitchen areas in shops, offices and other working environments;
- Farm houses and by clients in hotels, motels and other residential type environments;
- Bed and breakfast type environments;
- Catering and similar non-retail applications;
- It is strongly recommended that the unit not be used with a power outlet that is equipped with GFCI protection.

 **WARNING:** Do not store explosive substances such as aerosol cans with a flammable propellant in this appliance.

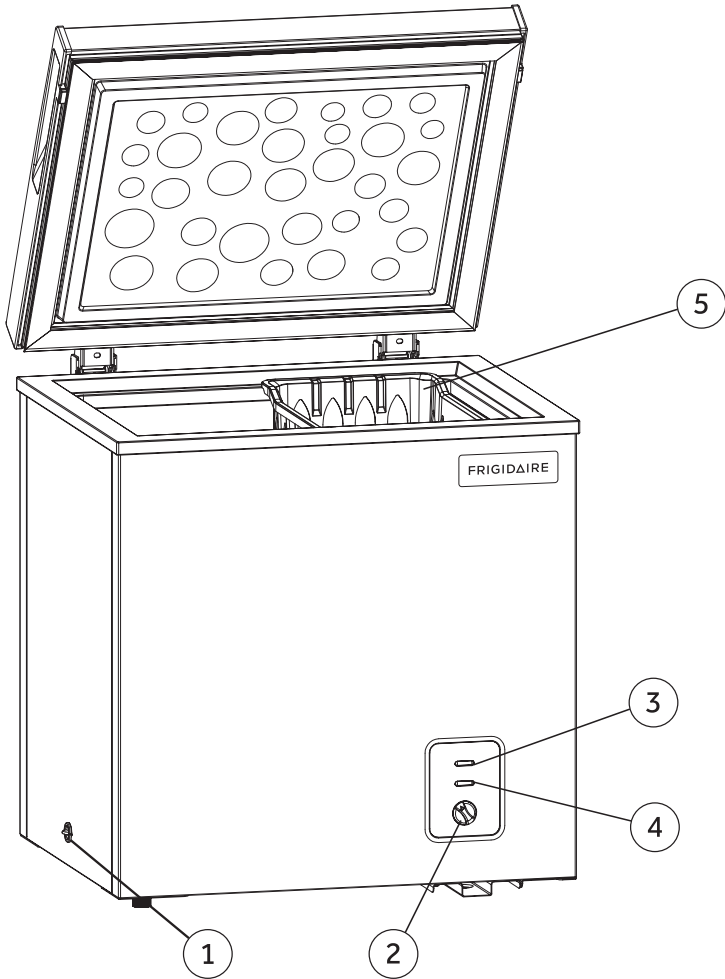
 **WARNING:** When positioning the appliance, ensure the supply cord is not trapped or damaged.

 **WARNING:** Do not locate multiple portable socket-outlets or portable power supplies at the rear of the appliance.

Staple your receipt to your manual.

You will need it to obtain warranty service.

# Parts And Features



1. Exterior Drain Pluge
2. Temperature Control
3. Compressor On Indicator
4. Power on Indicator
5. Removable Storage Basket

# Installing Your Freezer

## Unpacking Your Freezer

1. Remove all packaging material. This includes the foam base and all adhesive tape holding the freezer accessories inside and outside.
2. Inspect and remove any remains of packing, tape or printed materials before powering on the freezer.

## Adjusting Your Freezer

- Your freezer is designed for freestanding installation only. It should not be recessed or built-in.
- Place the freezer on a floor strong enough to support it fully loaded.
- When moving the freezer, never tilt it more than a 45-degree angle. This could damage the compressor and the sealed system.
- If the freezer is tilted let it stand in an upright position for at least 24 hours prior to plugging. This is to allow the refrigerant to settle.

## Proper Air Circulation

- To assure your freezer works at the maximum efficiency it was designed for, you should install it in a location where there is proper air circulation, plumbing and electrical connections.
- The following are recommended clearances around the freezer:  
Sides.....4" (102mm)  
Back.....4" (102mm)  
Top.....Do not block



## **WARNING: ELECTRICAL REQUIREMENT - SHOCK HAZARD**

### **Electrical Requirement**

- Make sure there is a suitable power Outlet (115 volts, 15 amps outlet) with proper grounding to power the freezer.
- Avoid the use of three plug adapters or cutting off the third grounding in order to accommodate a two plug outlet. This is a dangerous practice since it provides no effective grounding for the freezer and may result in shock hazard.

### **Install Limitations**

- Select a suitable location for the freezer on a hard even surface away from direct sunlight or heat source e.g. radiators, baseboard heaters, cooking appliances etc. Any floor unevenness should be corrected.

### **Disposal**

- This appliance may not be treated as regular household waste, it should be taken to the appropriate waste collection point for recycling of electrical components. For information on local waste collection points, contact your local waste removal agency or government office.
- Disposal of this appliance should be in accordance with federal and local regulations.

# Freezer Features and Use

## Operating Your Freezer

- Once the freezer is in its proper place, plug it in an electrical outlet having 115 volts and 15 amps.
- Set the temperature, on the temperature control knob. “1” being the warmest and “Deepfreeze” being the coldest. Initially set the temperature on “4”. Place food inside the freezer. After using the freezer for 24 hours set the freezer to your desired setting.
- In case you unplug your freezer or experience an electrical outage, allow 5 minutes before plugging it back in.

## General Features

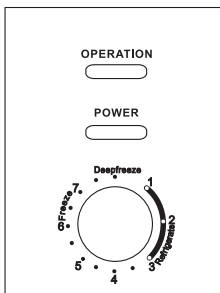
**Adjustable temperature dial:** (see fig. # 1)

The temperature of the appliance is controlled by setting the thermostat dial on the front of the cabinet.

- The number 1 indicates the warmest setting.
- The deepfreeze indicates the coldest setting.
- The number 4 setting should be sufficient for regular home use.
- The temperature range of the appliance is approximately 41 ~ -11°F (5 ~ -24°C).

**(Note: If the freezer has been placed in a horizontal or tilted position for any period of time wait 24 hours before plugging the unit in.)**

fig. # 1



Below some general temperature data for reference.  
( This temperature setup is only for reference, it depends on ambient temperature and loading. )

Position	Temperature Range
1	41 ~ 38°F/5 ~ 3°C
2	38 ~ 30°F/3 ~ -1°C
3	34 ~ 27°F/1 ~ -3°C
4	14 ~ 7°F/-10 ~ -14°C
5	5 ~ -2°F/-15 ~ -19°C
6	0 ~ -8°F/-18 ~ -22°C
7	-4 ~ -11°F/-20 ~ -24°C
Deep freeze	-11°F/-24°C

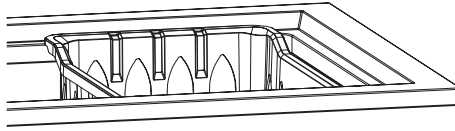
## Normal Operating Sounds You May Hear

- Boiling water, gurgling sounds or slight vibrations that are the result of the refrigerant circulating through the cooling coils.
- The thermostat control will click when it cycles on and off.

**Note: If the temperature control knob sets to deepfreeze, the compressor may run continuously. It's a quick-frozen mode. Please do not set to deepfreeze frequently.**

## Food Storage Basket

- Your freezer has a basket. Removable basket allows you to store food more accessibly or you can remove it if not needed.



## Manual Defrosting Instructions

Manual Defrost Freezer models must be defrosted manually. For best operation, the freezer should be defrosted when the frost accumulation becomes 1/4 to 1/2 inch thick. Below are the instructions for manually defrosting your Freezer.

Defrosting Instructions for your Freezer:

- Unplug the freezer.
- Remove all food and place in corrugated boxes, insulated bags, picnic coolers, etc. Use towels and newspapers for insulation, as needed.
- Remove the drain plug (on models so equipped).
- With the door open, use pans of hot water to speed the loosening of frost. Remove large pieces of frost before they melt.
- Sponge the excess water from the bottom of the freezer as it collects to prevent overflowing.
- After defrosting, clean the inside of the freezer by wiping down with a baking soda and water solution. Rinse and dry.
- Be sure to replace drain cap (on models so equipped). Return the drain tube to its position and replace the grille.
- Plug the freezer in, return the temperature control to the normal position and return food to the freezer.

## **⚠ Warning: Frost Build-Up**

Frost build-up can significantly impact the performance, efficiency, and safety of this appliance. Please follow these important guidelines to prevent issues:

- **Regular Inspection:** Frequently check for frost accumulation on critical components.
- **Monitor Frost Thickness:** If frost build-up exceeds 1/4 inch (6 mm), promptly follow the defrosting procedure to prevent damage or malfunction.
- **Avoid Sharp Tools:** Do not use sharp objects or tools to remove frost, as this can damage the unit and void the warranty.
- **Safety First:** Always unplug the device before performing any frost removal or maintenance.
- **Proper Food Placement:** Keep food and containers away from the back wall of the refrigerator's interior. Cooling air flows from this area, and direct contact with the inner wall can cause frost to form.
- **When defrosting the unit,** do not use electric heaters, heat guns or boiling water to speed up the frost melting process as damage to the interior of the refrigerator may occur.

Failure to adhere to these guidelines may result in equipment damage, reduced performance, personal injury, or voided warranty.

## Food Storage Information

### Frozen Food:

- Wipe containers before storing to avoid needless spills.
- Hot food should be allowed to cool before storing in the freezer. This will prevent unnecessary energy use.
- When storing meats, keep in the original packaging or rewrap as necessary.
- Proper freezer storage requires correct packaging. All foods must be in packages, which do not allow the flow of air or moisture in, or out. Improper storage will result in odor and taste transfer and will result in the drying out of the improperly packaged food.
- Follow package or container instructions for proper storage.
- Packaging Recommendations:
  - Plastic containers with air tight lids
  - Heavy duty aluminum foil
  - Plastic wrap made from saran film
  - Self-sealing plastic bags
- Do not refreeze defrosted/thawed foods.
- It is recommended that the freezing date be marked on the packaging.

These are some suggestions for safe storage:

- |                                    |               |
|------------------------------------|---------------|
| • TV Dinners                       | 3 - 4 Months  |
| • Fresh Shrimp, scallops, crawfish | 3 - 6 Months  |
| • Hamburger & stew meats           | 3 - 4 Months  |
| • Ground Turkey, veal, pork        | 3 - 4 Months  |
| • Chops                            | 4 - 6 Months  |
| • Steaks                           | 6 - 12 Months |
| • Chicken or turkey, whole         | 1 year        |

For detailed storage chart visit FDA website:  
[www.cfsan.fda.gov/~dms/fttstore.html](http://www.cfsan.fda.gov/~dms/fttstore.html)

# Proper Freezer Care and Cleaning

## Cleaning and Maintenance



**Warning:** To avoid electric shock always unplug your freezer before cleaning. Ignoring this warning may result in death or injury.



**Caution:** Before using cleaning products, always read and follow manufacturer's instructions and warnings to avoid personal injury or product damage.

**General:** • Prepare a cleaning solution of 3-4 tablespoons of baking soda mixed with warm water. Use sponge or soft cloth, dampened with the cleaning solution, to wipe down your freezer.

- Rinse with clean warm water and dry with a soft cloth.
- Do not use harsh chemicals, abrasives, ammonia, chlorine bleach, concentrated detergents, solvents or metal scouring pads. Some of these chemicals may dissolve, damage and/or discolor your freezer.

## Door Gaskets:

- Clean door gaskets every three months according to general instructions. Gaskets must be kept clean and pliable to assure a proper seal.
- Petroleum jelly applied lightly on the hinge side of gaskets will keep the gasket pliable and assure a good seal.

## Power Interruptions

- Occasionally there may be power interruptions due to thunderstorms or other causes. Remove the power cord from AC outlet when a power outage occurs. When power has been restored, replug power cord to AC outlet. If outage is for a prolonged period, inspect and discard spoiled or thawed food in freezer. Clean freezer before reusing.

## Vacation and Moving Care

- For long vacations or absences, empty food from freezer, unplug the unit and clean the door gaskets according to "General cleaning" section. Prop doors open, so air can circulate inside. When moving always move the freezer vertically. Do not move with the unit lying down. Possible damage to the sealed system could occur.



**WARNING:** IF OUTAGE IS FOR A PROLONGED PERIOD, INSPECT AND DISCARD SPOILED OR THAWED FOOD IN FREEZER. CLEAN FREEZER BEFORE REUSING.

# Trouble Shooting

## **Freezer Does Not Operate:**

- Check if freezer is plugged in.
- Check if there is power at the ac outlet, by checking the circuit breaker.
- Wait for 30-40 minutes to see whether freezer will start. Compressor cycle must be complete to operate.

## **Food temperature appears too warm:**

- Frequent door openings.
- Allow time for recently added warm food to reach freezer temperature.
- Check gaskets for proper seal.
- Adjust temperature control to colder setting.

## **Too much frost build-up inside unit:**

- Make sure temperature control is not set to “ON” setting for extended period of time.

## **Food temperature is too cold:**

- If temperature control setting is too cold, adjust to a warmer setting and allow several hours for temperature to adjust.

## **Compressor runs too frequently:**

- This may be normal to maintain constant temperature during high temperature and humid days.
- Doors may have been opened frequently or for an extended period of time.
- Check gasket for proper seal.
- Check to see if doors are completely closed.
- Check freezer compartment for blockage from frozen food packages, containers, etc.

## **Freezer has an odor:**

- Interior needs cleaning.
- Foods improperly wrapped or sealed are giving off odors.

## PRODUCT SPECIFICATIONS

MODEL NO.	EFRF200-6COM
CAPACITY OF CHEST FREEZER IN CU FT	2.1
TEMPERATURE CONTROL TYPE	MECHANICAL
TEMPERATURE RANGE FREEZER IN FAHRENHEIT AND CELSIUS	41 ~ -11°F/5 ~ -24°C
WIDTH (EXCLUDING HANDLES) (IN.)	18.3
WIDTH (INCLUDING HANDLES) (IN.)	18.3
HEIGHT TO TOP OF CHEST FREEZER (IN.)	23.6
PRODUCT LENGTH (IN.)	20.9
POWER CORD LENGTH (IN.)	72.8
REFRIGERANT TYPE	R600a
MAXIMUM POWER CONSUMPTION IN AMPS & WATTS	1.1A&75W
OPERATION NOISE dBA	≤40dBA
IN BOX WEIGHT (LBS.)	48.1
OUT OF BOX WEIGHT (LBS.)	40.8
BOX DIMENSIONS L*W*H (IN.)	22.2*18.5*24.6
INTERIOR HEIGHT (IN.)	18.2
INTERIOR LENGTH (IN.)	17.1
INTERIOR WIDTH (IN.)	13.2

### GARAGE **READY**

GARAGE READY MODEL MAINTAINS STABLE AND CONSISTENT TEMPERATURE UNDER EXTREME TEMPERATURES FROM 0°F TO 110°F.

## LIMITED WARRANTY

---

To make a warranty claim, please email support2@curtiscs.com or call 1-800-968-9853.

### **1 Year Warranty**

This product is warranted to be free from defects in material and workmanship for a period of one (1) year from the date of original delivery to the consumer. During this period, your exclusive remedy is repair or replacement of this product or component found to be defective, at our option; however, you are responsible for all costs associated with returning the product to us. If the product or component is no longer available, we will replace with a similar one of equal or greater value. Prior to a replacement being sent, the product must be rendered inoperable or returned to us.

This warranty does not cover glass, filters, wear from normal use, use not in conformity with the printed directions., or damage to the product resulting from accident, alteration, abuse, or misuse. This warranty extends only to the original consumer purchaser or gift recipient. Keep the original sales receipt, as proof of purchase is required to make a warranty claim. This warranty is void if the product is used for other than single-family household use or subjected to any voltage and waveform other than as on the specified rating on the label (e.g., 120V-60Hz).

We exclude all claims for special, incidental, and consequential damages caused by breach of express or implied warranty. All liability is limited to the amount of the purchase price. Every implied warranty, including any statutory warranty or condition of merchantability or fitness for a particular purpose, is disclaimed except to the extent prohibited by law, in which case such warranty or condition is limited to the duration of this written warranty. This warranty gives you specific legal rights. You may have other legal rights that vary depending on where you live. Some states or provinces do not allow limitations on implied warranties or special, incidental, or consequential damages, so the foregoing limitations may not apply to you.

For faster service, locate the model, type, and serial numbers on your appliance.

**ATTACH YOUR PROOF OF PURCHASE HERE, PROOF OF PURCHASE IS REQUIRED TO OBTAIN WARRANTY SERVICE.**

Please have the following information available when you contact the Support Team:

- Name, address and telephone number.
- Model number and serial number.
- A clear, detailed description of the problem.
- Proof of purchase including dealer or retailer name, address and date of purchase.

**CURTIS**  
INTERNATIONAL LTD

**Canada**  
CURTIS INTERNATIONAL LTD  
7045 BECKETT DRIVE, UNIT 15  
MISSISSAUGA, ONTARIO  
L5S 2A3

# FRIGIDAIRE®

welcome *home*

Our home is your home. Visit us if you need help with any of these things:

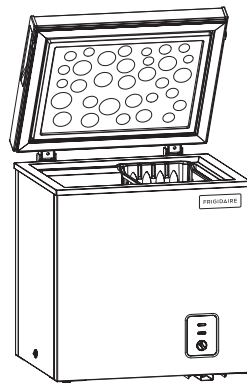


owner support



service

[support2@curtiscs.com](mailto:support2@curtiscs.com)  
1-800-968-9853



EFRF200-6COM

## Congélateur Coffre

*utilisation & entretien*

Instructions de Sécurité Importantes .....	2
Veuillez Conserver Ces Instructions .....	3
Pièces et Caractéristiques .....	5
Installer le Congélateur .....	6
Caractéristiques du Congélateur et Utilisation .....	8
Ecrire sur la porte de votre congélateur .....	9
Casiers de Rangement Pour Aliments .....	9
Entretien et Nettoyage du Congélateur .....	12
Guide de Dépannage .....	13
Spécifications du Produit .....	14
Carte De Garantie .....	15

# INSTRUCTIONS DE

# SECURITE IMPORTANTES

*Lisez toutes les instructions avant d'utiliser cet appareil. Lorsque vous utilisez cet appareil, respectez les consignes de securite de base y compris les suivantes:*

1. Utilisez cet appareil uniquement pour l'usage auquel il est destiné comme indiqué dans ce manuel d'utilisation et d'entretien
2. Cet appareil doit être installé proprement et conformément aux instructions d'installation avant d'être utilisé. Consultez les instructions de mise à terre dans la section d'installation.
3. Ne débranchez jamais votre congélateur / réfrigérateur convertibles en tirant sur le cordon d'alimentation. Saisissez la fiche fermement et tirez tout droit de la prise murale.
4. Réparez ou remplacez immédiatement, toutes les cordes électriques qui sont devenues frangées ou autrement endommagées. N'utilisez pas un câble représentant des craquelures ou des abrasions à la longueur du cordon, de la fiche ou de l'extrémité du connecteur.
5. Débranchez votre congélateur / réfrigérateur avant de le nettoyer ou avant de le réparer. Note: Si pour n'importe quelle raison cet appareil exige un service de réparation, nous recommandons avec force qu'un technicien certifié exécute le service.
6. N'utilisez aucun dispositif électrique ou aucun instrument aigu pour dégriver votre congélateur / réfrigérateur convertibles.
7. Après avoir mis en marche votre congélateur / réfrigérateur, ne touchez pas aux surfaces froides spécialement si vos mains sont mouillées ou humides. La peau peut adhérer aux surfaces extrêmement froides.
8. Ne congélez pas de nouveau la nourriture qui a été dégelée complètement. Le service des États Unis d'Agriculture dans le bulletin de Maison et Jardin N° 69 lisent ".....Vous pouvez sans risque congeler de nouveau la nourriture dégelée si elle contient des cristaux de glace ou si la température est restée froide au dessous de 40 degrés F.  
"La viande hachée, le volaille, ou le poisson dégelés, qui ont n'importe quelle odeur ou couleur ne doivent pas être congelés de nouveau ou mangés. La glace dégelée doit être jetée. Si l'odeur ou la couleur de n'importe quelle nourriture est incertaine, jetez-la. Il peut être dangereux de manger cette nourriture.

«Même une décongélation partielle et recongélation peuvent réduire la qualité de la nourriture, particulièrement, les fruits, les légumes et les plats préparés en avance. La qualité de la viande rouge est moins affectée que celle que d'autres nourritures. Utilisez la nourriture qui a été recongelée au plus tôt possible pour garder sa qualité.

9. Ce réfrigérateur ne doit pas être encastré ou incorporé dans un placard encastré. Il est conçu pour une installation sans encastrement.
10. N'opérez pas votre unité en présence des fumées explosives.

## **VEUILLEZ CONSERVER CES INSTRUCTIONS**

### **DANGER**

Risque d'occlusion d'enfant. Avant que vous jetiez votre vieux réfrigérateur ou congélateur, enlevez les portes. Laissez les étagères en place de sorte que les enfants ne puissent pas facilement s'élever à l'intérieur. Selon Des Normes UL 250

Cet appareil n'est pas destiné à être utilisé par des personnes (y compris des enfants) dont les capacités physiques, sensorielles ou mentales peuvent être différentes ou réduites, ou qui n'ont pas d'expérience ou de connaissances, à moins que ces personnes ne reçoivent de supervision ou de formation pour faire fonctionner l'appareil par une personne responsable de leur sécurité.

Les enfants devraient être surveillés pour s'assurer qu'ils ne jouent pas avec l'appareil.

N'utilisez pas de cordons de prolongement ou d'adaptateurs sans mise à la terre (deux broches).

Consultez le manuel de réparation ou le guide du propriétaire avant d'essayer de réparer ce produit. Toutes les précautions de sécurité doivent être respectées.

**⚠ AVERTISSEMENT** : Garder les ouvertures de ventilation, dans l'enceinte de l'appareil ou dans la structure intégrée, sans obstruction.

**⚠ AVERTISSEMENT** : N'utilisez pas de dispositifs mécaniques ou d'autres moyens pour accélérer le processus de dégivrage, autres que ceux recommandés par le fabricant.

**⚠ AVERTISSEMENT** : Ne pas endommager le circuit de réfrigérant.

**⚠ AVERTISSEMENT** : N'utilisez pas d'appareils électriques à l'intérieur des compartiments de stockage d'aliments de l'appareil, à moins qu'ils ne soient du type recommandé par le fabricant.

Cet appareil est destiné à être utilisé dans des applications domestiques et similaires telles que:

- Cuisines du personnel dans les magasins, les bureaux et autres environnements de travail;
- Les maisons de ferme et par les clients dans les hôtels, motels et autres environnements de type résidentiel;
- Chambres d'hôtes;
- Restauration et applications similaires non commerciales;
- Il est fortement recommandé de ne pas utiliser l'unité avec une prise électrique équipée d'une protection GFCI.

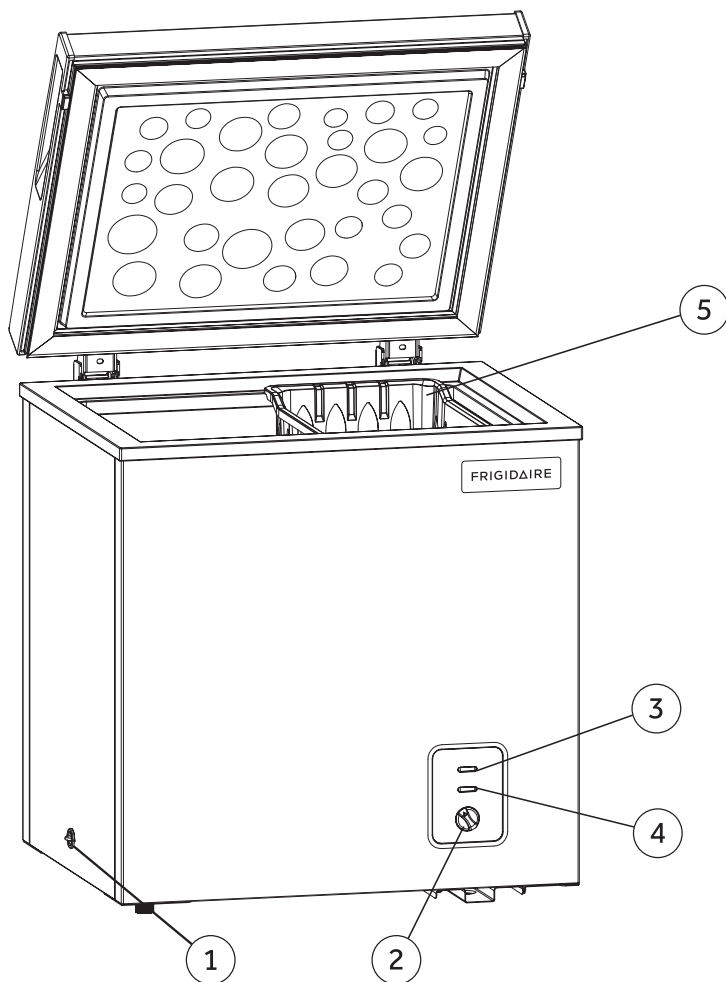
**⚠ AVERTISSEMENT** : Ne stockez pas de substances explosives telles que des aérosols contenant des propulseurs inflammables dans cet appareil.

**⚠ AVERTISSEMENT** : Assurez-vous que le cordon d'alimentation n'est pas pincé ou endommagé lorsque vous positionnez l'appareil.

**⚠ AVERTISSEMENT** : Ne placez pas plus d'une prise portable ou d'une source d'alimentation portable à l'arrière de l'appareil.

Agrafer le ticket de caisse au guide. Il devra être présenté pour tout service après-vente sous garantie.

# Pièces et Caractéristiques



1. Bouchon De Drainage Externe
2. Régulation De Température
3. Indicateur De Compresseur
4. Lampe Indicateur
5. Panier De Rangement Amovible

# Installer le Congélateur

## Déballer le Congélateur

1. Retirez tout le matériau d'emballage y compris la base en mousse et le ruban adhésif retenant les accessoires du congélateur à l'intérieur et à l'extérieur.
2. Examinez et retirez tous les restes de l'emballage, de la bande ou des matériaux imprimés avant d'actionner sur le congélateur.

## Régler le Congélateur

- Ce congélateur a été conçu en tant qu'appareil autostable. Il ne doit pas être encastré ni être placé en retrait dans une niche ou un renforcement.
- Placez le congélateur sur un sol suffisamment résistant et capable de le soutenir lorsque ce dernier est complètement rempli.
- Lorsque vous déplacez le congélateur, veillez à ne jamais le pencher plus de 45°. En effet, vous risquez d'endommager le compresseur et le dispositif scellé.
- Si le congélateur a été penché, laissez-le debout (en position verticale) pendant au moins 24 heures avant de le brancher afin qu'il revienne à son état de fonctionnement normal.

## Assurer une bonne circulation de l'air

- Afin de vous assurer que le congélateur fonctionne à plein rendement, installez-le dans un endroit largement ventilé et où il existe des prises pour le raccordement électrique et la plomberie.
- Les dimensions suivantes sont les distances recommandées autour du congélateur.

Côtés.....4 po. (102 mm)

Derrière.....4 po. (102 mm)

## Installation Électrique

- Assurez-vous qu'il existe une prise murale adéquate (prise électrique 115 volts, 15 ampères) avec mise à la masse afin d'alimenter le congélateur.
- Ne pas utiliser de fiche à trois broches et ne pas couper la troisième broche (broche de mise à la masse) afin de brancher la fiche sur une prise à deux broches. Ceci est très dangereux car ce système n'offre aucune mise à la masse au congélateur et vous risquez de vous électrocuter.

## Restrictions pour l'installation

- Choisissez un endroit adéquat présentant une surface dure à l'écart des rayons du soleil et de toute source de température telles que radiateurs, radiateurs de plinthe, appareils de cuisson, etc. Corrigez toute inégalité du sol.

## Élimination Des Déchets

- Ce produit ne doit pas être traité comme un déchet domestique ordinaire, il doit être transporté au point de collecte approprié pour le recyclage des composants électriques. Pour obtenir des renseignements sur les points de collecte des déchets locaux, communiquez avec votre agence locale de traitement des déchets ou avec le bureau du gouvernement.
- L'élimination de cet appareil devrait être conforme aux règlements fédéraux et locaux.

# Caractéristiques du Congélateur et Utilisation

## Utiliser le Congélateur

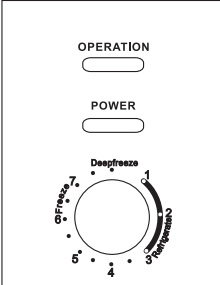
- Après avoir placé le congélateur, branchez-le sur une prise électrique murale de 115 volts, 15 ampères. Mettez-le en marche en appuyant sur le bouton d'alimentation. Le voyant vert s'allumera et indiquera que le congélateur fonctionne.
- Réglez la température grâce au bouton de réglage. "1" est le réglage le moins froid, et "Congélation profonde" est le réglage le plus froid. Pour commencer, réglez le congélateur sur "4". Placez les aliments à l'intérieur du congélateur. Après 24 heures d'utilisation, réglez le congélateur sur le réglage désiré.
- Si vous débranchez le congélateur ou en cas de coupure de courant, attendez 5 minutes avant de rebrancher le congélateur.

## Caractéristiques générales (voir fig. # 1)

La température de l'appareil est contrôlée en réglant le cadran du thermostat à l'avant de l'armoire.

- Le numéro 1 indique le réglage le plus chaud.
- Le congélation profonde indique le réglage le plus froid.
- Le numéro 4 devrait être suffisant pour un usage domestique régulier.
- La plage de température de l'appareil est d'environ 41 ~ -11°F (5 ~ -24°C).

fig. # 1

		Ci-dessous quelques données générales de température pour référence. ( Cette configuration de température est uniquement à titre de référence, elle dépend de la température ambiante et de la charge. )
Position	Plage de température	
1	41 ~ 38°F/5 ~ 3°C	
2	38 ~ 30°F/3 ~ -1°C	
3	34 ~ 27°F/1 ~ -3°C	
4	14 ~ 7°F/-10 ~ -14°C	
5	5 ~ -2°F/-15 ~ -19°C	
6	0 ~ -8°F/-18 ~ -22°C	
7	-4 ~ -11°F/-20 ~ -24°C	
Congélation profonde	-11°F/-24°C	

**Remarque: si le bouton de commande de température est fixé à congélation profonde, le compresseur peut fonctionner en continu. C'est un mode surgelé. S'il vous plaît, ne faites pas souvent le congélation profonde.**

## Ecrire sur la porte de votre congélateur

Votre congélateur est muni d'une surface sur la porte avant sur laquelle il est possible d'écrire en utilisant les marqueurs effaçables fournis. Ecrivez simplement vos notes et effacez-les en utilisant l'effaceur ou un autre chiffon doux. Effacer immédiatement après avoir écrit peut causer un étalage de l'encre. Vous obtiendrez de meilleurs résultats en laissant sécher l'encre légèrement. Un nettoyant ménager doux ou une solution d'eau savonneuse peut aussi être utilisée si l'étalage et les ombres de l'encre doivent se produire.

**NOTE:** Seuls des marqueurs effaçables doivent être utilisés sur la surface de la porte. Des marqueurs effaçables de remplacement peuvent être achetés dans les papeteries. Vous devez uniquement écrire sur la surface avant de la porte. Les autres surfaces de l'appareil telles que l'habillage de la porte, la carrosserie et l'intérieur ne sont pas faites pour que l'on écrive dessus. **NE placez PAS d'objets sur le haut du congélateur pour éviter de l'endommager.**

### Entreposage des marqueurs et de l'effaceur

Les marqueurs peuvent être rangés dans le compartiment derrière l'effaceur. L'effaceur inclus est fourni avec une bande magnétique attachée au dos de l'effaceur qui peut être attaché en haut ou sur le côté de la carrosserie.

## Casiers de Rangement Pour Aliments

- Le nombre de paniers dans votre congélateur dépendant du modèle a acheté. Cette casier amovibles vous permettent de ranger des aliments et de les retirer facilement.

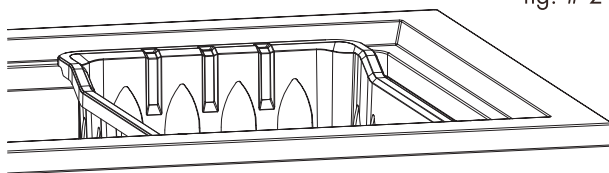


fig. # 2

## Instructions de Dégivrage Manuel

Les modèles de congélateur à dégivrage manuel doivent être dégivrés manuellement. Pour un meilleur fonctionnement, le congélateur doit être dégivré lorsque l'accumulation de givre atteint 1/4 à 1/2 pouce d'épaisseur. Vous trouverez ci-dessous les instructions pour le dégivrage manuel de votre congélateur.

Instructions de dégivrage pour votre congélateur :

- Débranchez le congélateur.
- Retirez tous les aliments et placez-les dans des boîtes en carton ondulé, des sacs isothermes, des glacières pour pique-nique, etc. Utilisez des serviettes et des journaux pour l'isolation, au besoin.
- Retirez le bouchon de vidange (sur les modèles qui en sont équipés).
- Avec la porte ouverte, utilisez des casseroles d'eau chaude pour accélérer le dégivrage. Retirez les gros morceaux de givre avant qu'ils ne fondent.
- Épongez l'excédent d'eau au fond du congélateur au fur et à mesure qu'il s'accumule pour éviter tout débordement.
- Après le dégivrage, nettoyez l'intérieur du congélateur en l'essuyant avec une solution de bicarbonate de soude et d'eau. Rincez et séchez.
- Assurez-vous de remettre le bouchon de vidange (sur les modèles qui en sont équipés). Remettez le tuyau de vidange en place et replacez la grille.
- Branchez le congélateur, remettez la commande de température à la position normale et remettez les aliments dans le congélateur.



fig. # 3

### **▲ Avertissement : Accumulation de Givre**

L'accumulation de givre peut affecter de manière significative la performance, l'efficacité et la sécurité de cet appareil. Veuillez suivre ces directives importantes pour éviter les problèmes :

- Inspection régulière : Vérifiez fréquemment l'accumulation de givre sur les composants critiques.
- Surveiller l'épaisseur du givre : Si l'accumulation de givre dépasse 6 mm (1/4 de pouce), suivez rapidement la procédure de dégivrage pour éviter des dommages ou des dysfonctionnements.
- Éviter les outils tranchants : N'utilisez pas d'objets ou d'outils tranchants pour enlever le givre, car cela pourrait endommager l'appareil et annuler la garantie.
- Priorité à la sécurité : Débranchez toujours l'appareil avant d'effectuer tout enlèvement de givre ou entretien.
- Placement correct des aliments : Gardez les aliments et les contenants éloignés de la paroi arrière de l'intérieur du réfrigérateur. L'air frais circule à partir de cette zone, et le contact direct avec la paroi intérieure peut provoquer la formation de givre.
- Lors du dégivrage de l'appareil, n'utilisez pas de radiateurs électriques, de pistolets à air chaud ou d'eau bouillante pour accélérer le processus de fonte du givre, car cela pourrait endommager l'intérieur du réfrigérateur.

Le non-respect de ces directives peut entraîner des dommages à l'équipement, une réduction des performances, des blessures corporelles ou l'annulation de la garantie.

## Informations sur le Rangement des Aliments

Aliments congelés et surgelés:

- Essayez tout contenant avant de le ranger afin d'éviter tout déversement accidentel.
- Attendez que les aliments chauds aient refroidis avant de les ranger dans le congélateur. Vous ferez ainsi des économies d'énergie.
- Lorsque vous placez de la viande dans le congélateur, conservez-la dans son emballage d'origine si possible, ou enveloppez-la à nouveau si nécessaire.
- Les aliments placés au congélateur doivent avoir été correctement emballés. Les aliments doivent être dans des emballages ne permettant pas le passage de l'air ni de l'humidité. Tout aliment mal emballé risque d'avoir une odeur et un goût pouvant entraîner son assèchement.
- Suivez les instructions de l'emballage ou du contenant avant de placer les aliments au congélateur.
- Recommandations pour l'emballage: Contenants en plastique avec couvercle hermétique Papier d'aluminium résistants Film plastique Sacs à fermeture hermétique.
- Ne pas recongeler des aliments ayant été décongelés.
- Il est recommandé d'indiquer la date de congélation sur l'emballage.

Voici quelques suggestions pour un stockage en toute sécurité:

- |                                 |             |
|---------------------------------|-------------|
| • Plats surgelés                | 3 - 4 mois  |
| • Crevettes fraîches, coquilles |             |
| Saint-Jacques, écrevisses       | 3 - 6 mois  |
| • Hamburger & viande à braiser  | 3 - 4 mois  |
| • Dinde hachée, veau, porc      | 3 - 4 mois  |
| • Côtes                         | 4 - 6 mois  |
| • Steaks                        | 6 - 12 mois |
| • Poulet ou dinde, entier       | 1 an        |

Pour un tableau de stockage détaillé visitez le site internet de la FDA: [www.cfsan.fda.gov/~dms/fttstore.html](http://www.cfsan.fda.gov/~dms/fttstore.html)

## Bruits de Fonctionnement lors D'une Exploitation Normale

- Les éléments de refroidissement tubulaires (serpentins refroidisseurs) font des bruits d'ébullition, des gargouillements et provoquent de légères vibrations.
- La commande du thermostat émettra un déclic lorsque qu'elle s'allume et s'éteint.

# Entretien et Nettoyage du Congélateur

## Nettoyage et maintenance

Avertissement :

Pour éviter tout choc électrique, débranchez toujours votre appareil avant de le nettoyer. Ignorer cet avertissement peut entraîner la mort ou des blessures.

Attention :

Avant d'utiliser des produits de nettoyage, lisez et suivez toujours les instructions et les avertissements du fabricant afin d'éviter toute blessure ou tout dommage au produit.

Nettoyage général:

- Préparez une solution de nettoyage composée de 3 à 4 cuillères à soupe de bicarbonate de soude mélangées à de l'eau chaude. Utilisez une éponge ou un chiffon doux, imbibé de la solution de nettoyage, pour essuyer votre appareil.
- Rincez à l'eau chaude propre et séchez avec un chiffon doux.
- N'utilisez pas de produits chimiques agressifs, d'abrasifs, d'ammoniaque, d'eau de Javel, de détergents concentrés, de solvants ou de tampons à récurer pour le métal. Certains de ces produits chimiques peuvent dissoudre, endommager et/ou décolorer votre appareil.

Les joints de porte:

- Nettoyez les joints de porte tous les trois mois en suivant les instructions de nettoyage générales. Les joints doivent demeurer propres et souples afin qu'ils demeurent hermétiques.
- Une légère application de vaseline sur le côté charnière des joints permet de conserver la souplesse du joint et d'assurer une bonne étanchéité.

## Coupures de Courant

- Il peut y avoir des coupures de courant occasionnelles dues à des orages ou à d'autres causes. En cas de coupure de courant, débranchez le cordon d'alimentation de la prise secteur. Une fois le courant rétabli, rebranchez le cordon d'alimentation à la prise secteur. En cas de panne prolongée, inspectez et jetez les aliments avariés ou décongelés dans le congélateur. Nettoyez l'appareil avant de le réutiliser.

## Entretien lors des Vacances ou d'un Déménagement

- En cas de vacances ou d'absences prolongées, videz les aliments de l'appareil, débranchez-le et nettoyez les joints de porte conformément à la section "Nettoyage général". Ouvrez les portes pour que l'air puisse circuler à l'intérieur. Lors d'un déménagement, déplacez toujours l'appareil verticalement. Ne déplacez pas l'appareil en position couchée. Le système d'étanchéité pourrait être endommagé.

## **Le Congélateur ne Fonctionne Pas:**

- Vérifiez que le cordon électrique du congélateur est branché.
- Assurez-vous que la prise murale CA est alimentée en vérifiant le disjoncteur.
- Patientez 30 à 40 minutes afin de vous assurer que le congélateur fonctionne. Le compresseur doit effectuer un cycle complet avant que le congélateur fonctionne à plein rendement.

## **La Température des Aliments n'est pas Assez Froide:**

- La porte est ouverte trop souvent.
- Comptez suffisamment de temps afin que les aliments venant juste d'être placés au congélateur puissent atteindre la température de congélation.
- Vérifiez que les joints assurent l'étanchéité du congélateur.
- Réglez la commande de température sur un réglage plus froid.

## **La Température des Aliments est Trop Froide:**

- Si la température est trop froide, placez la commande de température sur un réglage moins froid et patientez plusieurs heures avant que la température remonte.

## **Le congélateur se met en marche trop fréquemment:**

- Ceci est probablement normal afin de maintenir une température constante lorsqu'il fait chaud et humide.
- La porte a sans doute été ouverte trop fréquemment ou trop longtemps.
- Vérifiez que le joint assure l'étanchéité du congélateur.
- Vérifiez que la porte est complètement fermée.
- Vérifiez l'intérieur du congélateur afin de vous assurer qu'il n'y a pas d'aliments ou de contenants gênant la fermeture du congélateur.

## **Le congélateur a une odeur:**

- L'intérieur a besoin d'être nettoyé.
- Les aliments ayant été mal emballés laissent échapper une odeur.

## SPÉCIFICATIONS DU PRODUIT

MODÈLE NO.	EFRF200-6COM
CAPACITÉ DE L'ARMOIRE RÉFRIGÉRÉE (PIEDS CUBES)	2.1
TYPE DE CONTRÔLE DE TEMPÉRATURE	MÉCANIQUE
GAMME DE TEMPÉRATURE CONGÉLATEURS À FALLENHEIT ET SELSIUS	41 ~ -11°F/5 ~ -24°C
LARGEUR (POIGNÉES NON INCLUSES) (POUCES)	18.3
LARGEUR (POIGNÉES INCLUSES) (POUCES)	18.3
HAUTEUR VERS LE HAUT DE L'ARMOIRE RÉFRIGÉRÉE (POUCES)	23.6
LONGUEUR DU PRODUIT (POUCES)	20.9
LONGUEUR DU CORDON D'ALIMENTATION (POUCES)	72.8
TYPE DE RÉFRIGÉRANT	R600a
CONSOMMATION ÉLECTRIQUE MAXIMALE (AMPÈRES ET WATTS)	1.1A&75W
BRUIT DE FONCTIONNEMENT dBA	≤40dBA
POIDS DANS LA BOÎTE (LBS.)	48.1
POIDS HORS BOÎTE (LBS.)	40.8
DIMENSIONS DES BOÎTES L*W*H (POUCES)	22.2*18.5*24.6
HAUTEUR INTÉRIEURE (POUCES)	18.2
LONGUEUR INTÉRIEURE (POUCES)	17.1
LARGEUR INTÉRIEURE (POUCES)	13.2

### GARAGE **READY**

LE MODÈLE PRÊT POUR LE GARAGE MAINTIEN UNE TEMPÉRATURE STABLE ET CONSTANTE SOUS DES TEMPÉRATURES EXTRÊMES DE 0 °F À 110 °F.

# CARTE DE GARANTIE

---

Pour faire une demande de garantie, veuillez envoyer un courriel électronique à support2@curtiscs.com ou appeler le 1-800-968-9853.

## **1 ans de garantie**

Ce produit est garanti contre tout défaut de matériel et de fabrication pendant une période de un (1) ans à compter du livraison au consommateur. Pendant cette période, votre seul recours est la réparation ou le remplacement de ce produit ou composant jugé défectueux, à notre choix; Cependant, vous êtes responsable de tous les coûts associés au retour du produit. Si le produit ou le composant n'est plus disponible, nous le remplacerons par un produit similaire de valeur égale ou supérieure. Avant l'envoi d'un produit de remplacement, le produit doit être rendu inutilisable ou nous être renvoyé.

Cette garantie ne couvre pas le verre, les filtres, l'usure normale, une utilisation non conforme aux instructions imprimées, ni les dommages matériels résultant d'un accident, d'une altération, d'une utilisation abusive ou abusive. Cette garantie s'applique uniquement à l'acheteur initial ou au destinataire du cadeau. Conservez le reçu de vente original, car une preuve d'achat est nécessaire pour faire une réclamation de garantie. Cette garantie est annulée si le produit est utilisé pour un usage autre que domestique ou s'il est soumis à une tension ou une forme d'onde autre que celle indiquée sur l'étiquette (par exemple, 120V ~ 60Hz).

Nous excluons toute réclamation pour des dommages spéciaux, accessoires et consécutifs causés par une violation de la garantie explicite ou implicite. Toute responsabilité est limitée au montant du prix d'achat. Toute garantie implicite, y compris toute garantie légale ou condition de qualité marchande ou d'adéquation à un usage particulier, est refusée sauf dans la mesure où la loi l'interdit, auquel cas cette garantie ou condition est limitée à la durée de cette garantie écrite. Cette garantie vous confère des droits légaux spécifique. Vous pouvez avoir d'autres droits légaux qui varient selon votre lieu de résidence. Certains états ou provinces n'autorisant pas les limitations de garanties implicites ou de dommages spéciaux, accessoires ou indirects, les limitations ci-dessus peuvent ne pas vous concerner.

Pour un service plus rapide, trouver le modèle, le type et les numéros de série sur votre appareil.

**JOIGNEZ VOTRE PREUVE D'ACHAT ICI, UNE PREUVE D'ACHAT EST NÉCESSAIRE POUR OBTENIR UN SERVICE DE GARANTIE.**

Veuillez avoir l'information suivantes lorsque vous contactez l'équipe d'assistance :

- Nom, adresse et numéro de téléphone.
- Numéro de modèle et numéro de série.
- Une description claire et détaillée du problème.
- Preuve d'achat comprenant le nom, l'adresse et la date d'achat du revendeur ou du détaillant.

**CURTIS**  
INTERNATIONAL LTD

**Canada**  
CURTIS INTERNATIONAL LTD  
7045 BECKETT DRIVE, UNIT 15  
MISSISSAUGA, ONTARIO  
L5S 2A3

# FRIGIDAIRE®

Bienvenue à la *maison*

Notre maison est à toi. Rentre chez toi. Si vous avez besoin d'aide.



Maître d'ouvrage



services

[support2@curtiscs.com](mailto:support2@curtiscs.com)

1-800-968-9853