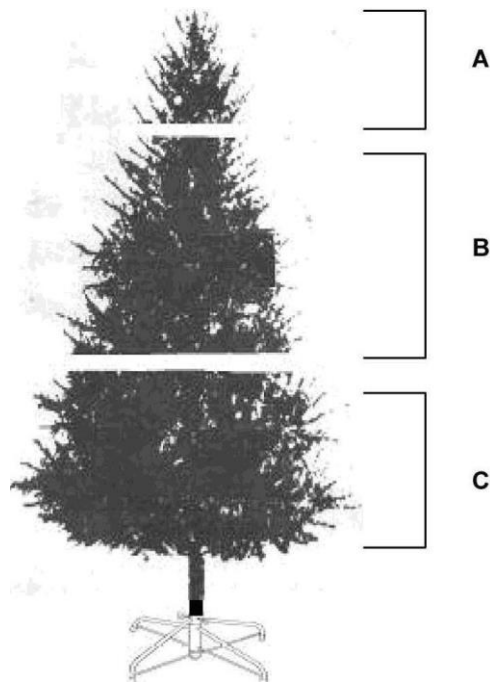


ALEKO®

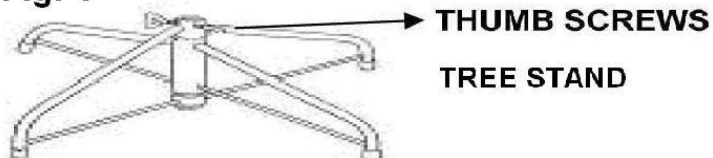
ASSEMBLY INSTRUCTIONS

For Indoor Use Only



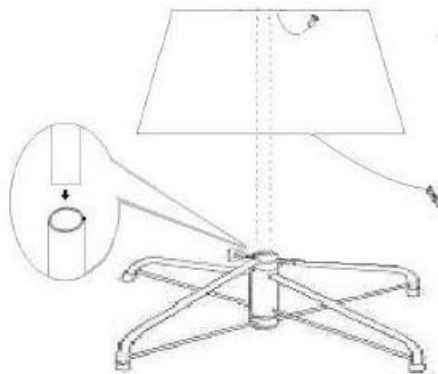
1. Place the Tree Stand on a flat, level, stable surface (see Fig. 1).

Fig. 1



2. Insert the Lower Branch Section (C) into the Tree Stand (see Fig. 2), tighten the three Thumb Screws evenly on the Tree Stand. Make sure the trunk stays straight.

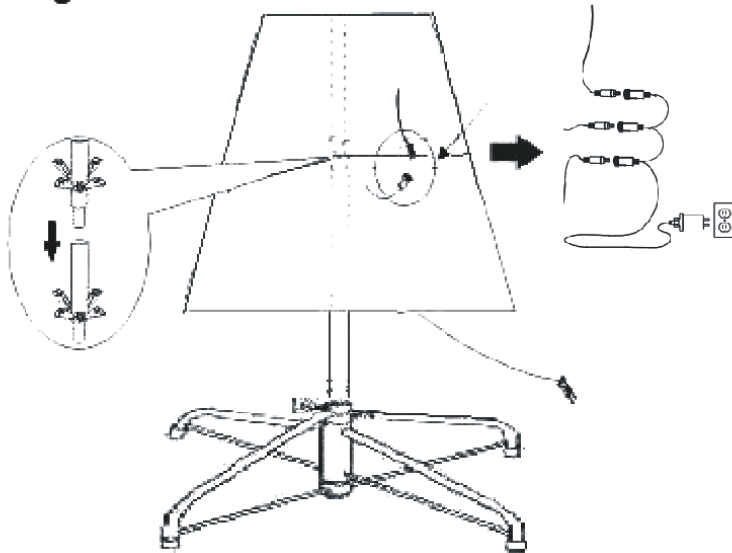
Fig. 2



3. Insert the Middle Branch Section (B) into the Lower Branch Section (C) (see Fig. 3), and then connect the string lighting plugs from the Middle Branch

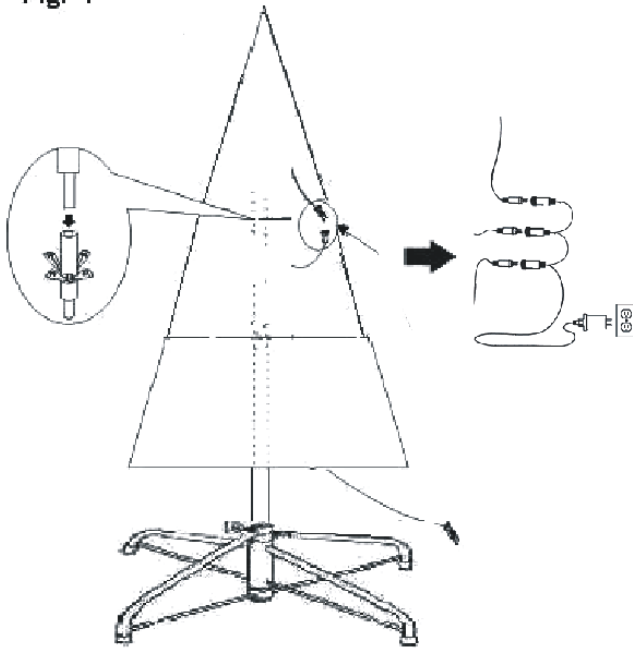
Section to the Lower Branch Section (see. Fig. 3).

Fig. 3



4. Insert the Tree Top Branch Section (A) into the Middle Branch Section (B) (see Fig. 4), and then connect the string lighting plugs from the Tree Top Branch Section to the Middle Branch Section (see Fig. 4).

Fig. 4



5. Lower, spread open, and arrange the branches (see Fig. 5 - 7)



Fig. 5



Fig. 6

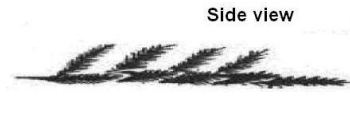


Fig. 7

6. Use care in choosing a location for the product. Position the product on a flat, level, stable surface.