



Masterbuilt Manufacturing, Inc.
1 Masterbuilt Ct.
Columbus, GA 31907
Customer Service 1-800-489-1581
Service à la clientèle 1-800-489-1581
Servicio de atención al cliente 1-800-489-1581
www.masterbuilt.com

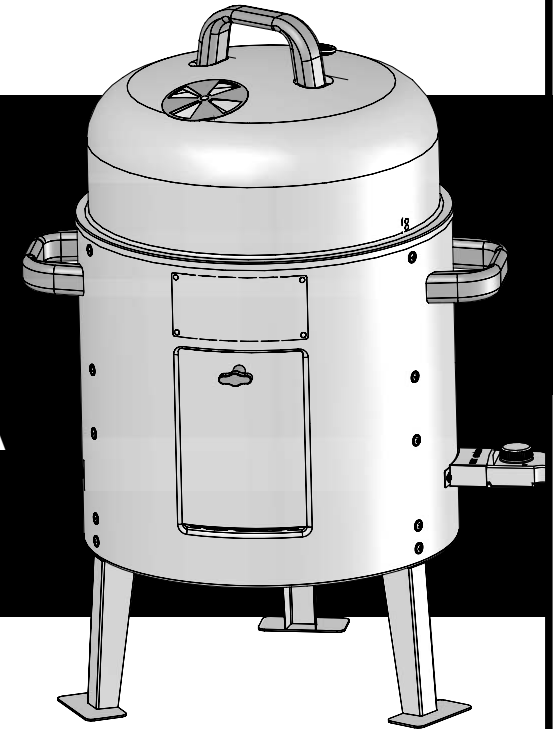


YouTube



**ELECTRIC
BULLET SMOKER**
MODEL ESBG1

**FUMADOR
ELECTRICAS BALA**
MODELO ESBG1



Manual Code: 9807150076 070215-GH

THIS PRODUCT IS FOR OUTDOOR USE ONLY.
ASSEMBLY, CARE & USE MANUAL WARNING & SAFETY INFORMATION

ESTE PRODUCTO ES SOLAMENTE DE USO EN EXTERIORES.
**MANUAL DE ENSAMBLAJE, CUIDADO Y USO INFORMACIÓN DE
ADVERTENCIAS Y SEGURIDAD**

Tools needed for assembly: Adjustable Wrench and Phillips Head Screwdriver
Approximate assembly time: 25 minutes *Actual product may differ from picture shown

Herramientas requeridas para el ensamblaje: Llave ajustable, destornillador Phillips o en cruz
Tiempo aproximado de ensamblaje: 25 minutos *El producto real puede ser distinto de la imagen mostrada

! WARNING !

This manual contains important information necessary for the proper assembly and safe use of the appliance.

Read and follow all warnings and instructions before assembling and using the appliance.

Follow all warnings and instructions when using the appliance.

Keep this manual for future reference.

! CARBON MONOXIDE HAZARD !

Burning wood chips gives off carbon monoxide, which has no odor and can cause death.

DO NOT burn wood chips inside homes, vehicles, tents, garages or any enclosed areas.

Use only outdoors where it is well ventilated.

Failure to follow these warnings and instructions properly could result in fire or explosion, which could cause property damage, personal injury, or death.

! WARNING !

CALIFORNIA PROPOSITION 65

1. Combustion by-products produced when using this product contain chemicals known to the State of California to cause cancer, birth defects, and other reproductive harm.
2. This product contains chemicals, including lead and lead compounds, known to the State of California to cause cancer, birth defects or other reproductive harm.

Wash your hands after handling this product.

! GENERAL WARNINGS AND SAFETY INFORMATION !

READ ALL INSTRUCTIONS

- Unit is for OUTDOOR USE ONLY.
- Never use inside enclosed areas such as patios, garages, buildings or tents.
- Never use inside recreational vehicles or on boats.
- Never operate unit under overhead construction such as roof coverings, carports, awnings, or overhangs.
- Never use unit as a heater (READ CARBON MONOXIDE HAZARD).
- Maintain a minimum distance of 10ft (3m) from overhead construction, walls, rails or other structures.
- Keep a minimum 10ft (3m) clearance of all combustible materials such as wood, dry plants, grass, brush, paper, or canvas.
- Keep appliance clear and free from combustible materials such as gasoline and other flammable vapors and liquids.
- Use unit on a level, non-combustible, stable surface such as dirt, concrete, brick or rock.
- Unit MUST be on the ground. Do not place unit on tables or counters. Do NOT move unit across uneven surfaces.
- Do not use unit on wooden or flammable surfaces.
- Do not leave unit unattended.
- Never use unit for anything other than its intended use. This unit is NOT for commercial use.

**WARNINGS & IMPORTANT SAFEGUARDS
CONTINUED ON PAGE 2**

GARANTÍA LIMITADA

Masterbuilt garantiza que sus productos no presentan defectos de fabricación, ni de material ni de la mano de obra, si se los ensambla correctamente, se los utiliza de forma normal y se los cuida según las recomendaciones, durante un período de 90 días a partir de la fecha de compra original. La garantía de Masterbuilt no cubre el acabado de la pintura ya que puede salirse durante el uso normal. La garantía de Masterbuilt no cubre la oxidación de la unidad. Masterbuilt exige el comprobante razonable de la compra para realizar reclamos de la garantía y sugiere que conserve su recibo. Después de la fecha de vencimiento de la garantía, finalizarán todas las responsabilidades.

Durante el período de vigencia establecido de la garantía, Masterbuilt, a su criterio, reemplazará o reparará los componentes defectuosos sin costo alguno, debiendo hacerse responsable el propietario de los gastos de envío. Si Masterbuilt requiere la devolución del o los componentes en cuestión para su inspección, Masterbuilt será responsable de todos los cargos de envío para devolver el artículo solicitado. Esta garantía excluye los daños ocasionados a la propiedad por el mal uso, el uso excesivo, los accidentes, el transporte o el uso comercial de este producto.

Esta garantía expresa es la única garantía entregada por Masterbuilt y reemplaza a todas las demás garantías, expresas o implícitas, incluidas las garantías implícitas de comercialización o idoneidad para cualquier fin en particular.

Ni Masterbuilt ni el establecimiento minorista que ofrece este producto tienen autoridad alguna para otorgar garantías adicionales o prometer otros recursos que sean inconsistentes con los establecidos previamente. La responsabilidad máxima de Masterbuilt, en todos los casos, no superará el precio de compra del producto que el cliente o comprador original pagó. Algunos estados no permiten la exclusión o limitación de daños accidentales o resultantes. En dicho caso, no se aplicarán las exclusiones o limitaciones anteriores.

Sólo para residentes de California: A pesar de esta limitación de garantía, se aplican las siguientes restricciones específicas; si el mantenimiento, la reparación o el reemplazo del producto no se puede realizar comercialmente, el establecimiento minorista que ofrece el producto o Masterbuilt devolverá el monto original de la compra del producto, menos el monto directamente atribuible al uso por parte del comprador original antes de informar su disconformidad. El propietario puede llevar el producto al establecimiento minorista que lo ofrece a fin de obtener la ejecución de cualquier obligación en virtud de esta garantía. Esta garantía expresa le otorga derechos legales específicos, y es posible que también tenga otros derechos que varían según el estado.



Visítenos en línea en: www.masterbuilt.com
o complete este formulario y envíelo a:
A la atención de: Warranty Registration
Masterbuilt Mfg., Inc.
1 Masterbuilt Court - Columbus, GA 31907

Nombre: _____ Dirección: _____ Ciudad: _____

Estado/Provincia: _____ Código postal: _____ Número de teléfono: (____) - _____

Correo electrónico: _____

*Número de modelo: _____ *Número de serie: _____

Fecha de compra: ____ - ____ - ____ Lugar de compra: _____

** El número de modelo y el número de serie se encuentran en la etiqueta plateada en la parte posterior de la unidad.*

LIMITED WARRANTY

Masterbuilt warrants its products to be free from defects in material and workmanship under proper assembly, normal use and recommended care for 90 days from the date of original retail purchase. Masterbuilt warranty does not cover paint finish as it may burn off during normal use. Masterbuilt warranty does not cover rust of the unit.

Masterbuilt requires reasonable proof of purchase for warranty claims and suggests that you keep your receipt. Upon the expiration of such warranty, all such liability shall terminate.

Within the stated warranty period, Masterbuilt, at its discretion, shall repair or replace defective components free of charge with owner being responsible for shipping. Should Masterbuilt require return of component(s) in question for inspection Masterbuilt will be responsible for shipping charges to return requested item.

This warranty excludes property damage sustained due to misuse, abuse, accident, damage arising out of transportation, or damage incurred by commercial use of this product.

This expressed warranty is the sole warranty given by Masterbuilt and is in lieu of all other warranties, expressed or implied including implied warranty, merchantability, or fitness for a particular purpose. Neither Masterbuilt nor the retail establishment selling this product, has authority to make any warranties or to promise remedies in addition to or inconsistent with those stated above.

Masterbuilt's maximum liability, in any event, shall not exceed the purchase price of the product paid by the original consumer/ purchaser. Some states do not allow the exclusion or limitation of incidental or consequential damages. In such a case, the above limitations or exclusions may not be applicable.

California residents only: Notwithstanding this limitation of warranty, the following specific restrictions apply; if service, repair, or replacement of the product is not commercially practical, the retailer selling the product or Masterbuilt will refund the purchase price paid for the product, less the amount directly attributable to use by the original buyer prior to the discovery of the nonconformity. Owner may take the product to the retail establishment selling this product in order to obtain performance under warranty. This expressed warranty gives you specific legal rights, and you may also have other rights which vary from state to state.



Go Online www.masterbuilt.com
or complete and return to
Attn: Warranty Registration
Masterbuilt Mfg., Inc.
1 Masterbuilt Court - Columbus, GA 31907

Name: _____ Address: _____ City: _____

State/Province: _____ Postal Code: _____ Phone Number: (____) - _____

E-mail Address: _____

*Model Number: _____ *Serial Number: _____

Purchase Date: ____ - ____ - ____ Place of Purchase: _____

** Model Number and Serial Number are located on silver label on back of unit.*



GENERAL WARNINGS AND SAFETY INFORMATION



WARNINGS & IMPORTANT SAFEGUARDS CONTINUED FROM PAGE 1

- Keep a fire extinguisher accessible at all times while operating unit.
- Before each use check all nuts, screws and bolts to make sure they are tight and secure.
- Use of alcohol, prescription or non-prescription drugs may impair user's ability to properly assemble or safely operate unit.
- Keep children and pets away from unit at all times. Do NOT allow children to use unit. Close supervision is necessary should children or pets be in area where unit is being used.
- Do NOT allow anyone to conduct activities around unit during or following its use until it has cooled.
- Avoid bumping or impacting unit.
- Never move unit when in use. Allow unit to cool completely (below 115°F (45°C)) before moving or storing.
- The unit is HOT while in use and will remain HOT for a period of time afterwards and during cooling process. Use CAUTION. Wear protective gloves/mitts.
- Do not touch HOT surfaces.
- Do not use wood pellets.
- Never use glass, plastic or ceramic cookware in unit. Never place empty cookware in unit while in use.
- Accessory attachments not supplied by Masterbuilt Manufacturing, Inc. are NOT recommended and may cause injury.
- Wood tray is HOT when unit is in use. Use caution when adding wood.
- Be careful when removing food from unit. All surfaces are HOT and may cause burns. Use protective gloves or long, sturdy cooking tools.
- Always use unit in accordance with all applicable local, state and federal fire codes.
- Dispose of cold ashes by placing them in aluminum foil, soaking with water and discarding in a non-combustible container.
- Do not store unit with HOT ashes inside unit. Store only when all surfaces are cold.
- When using electrical appliances, basic safety precautions should always be followed including the following:
 - Do not plug in electric smoker until fully assembled and ready for use.
 - Use only approved grounded electrical outlet.
 - Do not use during an electrical storm.
 - Do not expose electric smoker to rain or water at anytime.
- To protect against electrical shock do not immerse cord, plug or control panel in water or other liquid.
- Do not operate any appliance with a damaged cord or plug, or after appliance malfunctions or has been damaged in any manner. Contact Masterbuilt Customer Service for assistance at 1-800-489-1581.
- Longer detachable power-supply cords or extension cords are available and may be used if care is exercised in their use.

WARNINGS & IMPORTANT SAFEGUARDS CONTINUED ON PAGE 3

! GENERAL WARNINGS AND SAFETY INFORMATION !

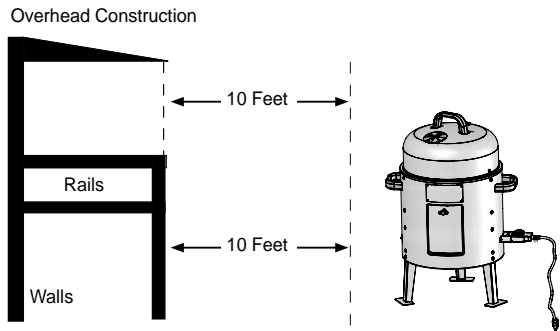
WARNINGS & IMPORTANT SAFEGUARDS CONTINUED FROM PAGE 2

- If a longer detachable power-supply cord or extension cord is used: 1. The marked electrical rating of the cord set or extension cord should be at least as great as the electrical rating of the appliance; and 2. The cord should be arranged so that it will not drape over the counter top or tabletop where it can be pulled by children or tripped over unintentionally.
- The extension cord must be a grounding -type 3-wire cord.
- Outdoor extension cords must be used with outdoor use products and are marked with suffix "W" and with the statement "Suitable for Use with Outdoor Appliances."
- **CAUTION** - To reduce the risk of electric shock, keep extension cord connection dry and off the ground.
- Do not let cord hang on or touch hot surfaces.
- Do not place on or near a hot gas or electric burner, or in a heated oven.
- Fuel, such as charcoal briquettes or heat pellets, are not to be used in electric smoker.
- To disconnect, turn controller "OFF" then remove plug from outlet.
- Unplug from outlet when not in use and before cleaning. Allow unit to cool completely before adding/removing racks, drip tray or water bowl.
- Drip tray is only for the bottom of electric smoker. Do not put drip tray on rack. This may damage electric smoker.
- Do not cover racks with metal foil. This will trap heat and cause severe damage to electric smoker.
- Do not clean this product with a water sprayer or the like.

SAVE THESE INSTRUCTIONS

STRUCTURAL PROXIMITY AND SAFETY USAGE RECOMMENDATIONS

REMINDER:
NEVER OPERATE THIS SMOKER UNDER ANY OVERHEAD CONSTRUCTION. MAINTAIN A MINIMUM DISTANCE OF 10 FEET FROM OVERHEAD CONSTRUCTION, WALLS OR RAILS.



! WARNING: ELECTRIC POWER CORD IS A TRIP HAZARD !

CUADRO DE AHUMADO

ELEMENTO	TAMAÑO	TEMPERATURA	AGUA	CHIPS DE MADERA	TIEMPO DE COCCIÓN	TEMPERATURA INTERNA
RES						
Asado (brazo, aguja, paleta, lomo)	4 - 5 lb (1,8 - 2,3 kg)	200°F (93°C)	3 - 4 qt (2,8 - 3,8 L)	2 - 3 tazas (0,56 - 0,83 L)	3 - 4 h	140 °F (60 °C) Medio 160 °F (71 °C) Tres cuartos 170 °F (77 °C) Bien cocido
Pecho de res	3 - 4 lb (1,4 - 1,8 kg)	200°F (93°C)	4 qt (3,8 L)	3 tazas (0,83 L)	3 - 4,5 h	170 °F (77 °C) Bien cocido
CERDO						
Asado (con hueso)	3 - 4 lb (1,4 - 1,8 kg)	200°F (93°C)	4 qt (3,8 L)	2 tazas (0,56 L)	3,5 - 4,5 h	170 °F (77 °C) Bien cocido
	5 - 7 lb (2,3 - 3,2 kg)	200°F (93°C)	6 qt (5,7 L)	3 tazas (0,83 L)	5 - 7 h	
Asado (sin hueso)	3 - 5 lb (1,4 - 2,3 kg)	200°F (93°C)	4 - 5 qt (3,8 - 4,7 L)	3 tazas (0,83 L)	3,5 - 5,5 h	170 °F (77 °C) Bien cocido
Costillas de cerdo	4 - 6 lb (1,8 - 2,7 kg)	200°F (93°C)	4 qt (3,8 L)	3 tazas (0,83 L)	2,5 - 3,5 h	Cuando está listo, la carne se separa del hueso
	7 - 10 lb (3,2 - 4,6 kg)	200°F (93°C)	5 - 6 qt (4,7 - 5,7 L)	3 tazas (0,83 L)	3,5 - 5 h	
POLLO						
Pollo (2 enteros)	2 - 3 libras cada uno (0,9 - 1,4 kg)	200°F (93°C)	3 - 4 qt (2,8 - 3,8 L)	2 tazas (0,56 L)	2,5 - 3,5 h	180 °F (82 °C) (Las patas se mueven fácilmente en la articulación)
Pavo	8 - 10 lb (3,6 - 4,6 kg)	200°F (93°C)	5 qt (4,7 L)	3 tazas (0,83 L)	4 - 6 h	185 °F (85 °C) (Las patas se mueven fácilmente en la articulación)
	11 - 13 lb (5,0 - 5,9 kg)	200°F (93°C)	6 qt (5,7 L)	3 tazas (0,83 L)	6 - 7,5 h	
COMIDA DE MAR						
Salmón	6 - 7 lb (2,7 - 3,2 kg)	200°F (93°C)	5 - 6 qt (4,7 - 5,7 L)	3 tazas (0,83 L)	4 - 6,5 h	Carne blanca, se deshace con el tenedor
Filetes de pescado	Parrilla completa	200°F (93°C)	3 qt (2,8 L)	1 - 2 tazas (0,28 - 0,56 L)	1,5 - 2,5 h	Carne blanca, se deshace con el tenedor
Camarones, almejas, patas de cangrejo	Parrilla completa	200°F (93°C)	3 qt (2,8 L)	1 - 2 tazas (0,28 - 0,56 L)	1 - 2 h	Camarones rosados Las conchas se abren
CARNE DE CAZA						
Codorniz, paloma, etc.	12 - 16 aves	200°F (93°C)	4 qt (3,8 L)	2 - 3 tazas (0,56 - 0,83 L)	2 - 4 h	Las patas se mueven fácilmente en la articulación
Faisán, pato, etc.	5 - 7 lb (2,3 - 3,2 kg)	200°F (93°C)	4 - 5 qt (3,8 - 4,7 L)	2 - 3 tazas (0,56 - 0,83 L)	4 - 5 h	180 - 185 °F (82 - 85 °C) Bien cocido

- Cuando la temperatura exterior es menor a 65 °F (18 °C) o la altura está por encima de los 3,500 pies (1067 m), puede ser necesario mayor tiempo de cocción. Para asegurarse que la carne esté completamente cocida, use un termómetro de carnes para comprobar la temperatura interna.
- Abrir la puerta del ahumador durante el proceso de cocción, puede extender el tiempo necesario para la cocción, debido a la pérdida de calor.

SMOKING CHART

ITEM	SIZE	TEMP	WATER	WOOD CHIPS	COOK TIME	INTERNAL TEMP
BEEF						
Pot Roast (arm, top, chuck, blade)	4 - 5 lbs (1.8-2.3kgs)	200°F (93°C)	3 - 4 qts (2.8-3.8l)	2 - 3 cups (0.56-0.83l)	3 - 4 hrs	140°F (60°C) Rare 160°F (71°C) Med 170°F (77°C) Well
Brisket	3 - 4 lbs (1.4-1.8kgs)	200°F (93°C)	4 qts (3.8l)	3 cups (0.83l)	3 - 4.5 hrs	170°F (77°C) Well Done
PORK						
Loin Roast (bone in)	3 - 4 lbs (1.4-1.8kgs)	200°F (93°C)	4 qts (3.8l)	2 cups (0.56l)	3.5 - 4.5 hrs	170°F (77°C) Well Done
	5 - 7 lbs (2.3-3.2kgs)	200°F (93°C)	6 qts (5.7l)	3 cups (0.83l)	5 - 7 hrs	
Loin Roast (boneless)	3 - 5 lbs (1.4-2.3kgs)	200°F (93°C)	4 - 5 qts (3.8-4.7l)	3 cups (0.83l)	3.5 - 5.5 hrs	170°F (77°C) Well Done
Spare Ribs	4 - 6 lbs (1.8-2.7kgs)	200°F (93°C)	4 qts (3.8l)	3 cups (0.83l)	2.5 - 3.5 hrs	Well done when meat pulls away from bone
	7 - 10 lbs (3.2-4.6kgs)	200°F (93°C)	5 - 6 qts (4.7-5.7l)	3 cups (0.83l)	3.5 - 5 hrs	
POULTRY						
Chicken (2 whole)	2 - 3 lbs ea (0.9-1.4kgs)	200°F (93°C)	3 - 4 qts (2.8-3.8l)	2 cups (0.56l)	2.5 - 3.5 hrs	180°F (82°C) (Leg moves easily in joint)
Turkey	8 - 10 lbs (3.6-4.6kgs)	200°F (93°C)	5 qts (4.7l)	3 cups (0.83l)	4 - 6 hrs	185°F (85°C) (Leg moves easily in joint)
	11 - 13 lbs (5.0-5.9kgs)	200°F (93°C)	6 qts (5.7l)	3 cups (0.83l)	6 - 7.5 hrs	
SEAFOOD						
Salmon	6 - 7 lbs (2.7-3.2kgs)	200°F (93°C)	5 - 6 qts (4.7-5.7l)	3 cups (0.83l)	4 - 6.5 hrs	Flesh white, flakes when forked
Fish Fillets	Full Grate	200°F (93°C)	3 qts (2.8l)	1 - 2 cups (0.28-0.56l)	1.5 - 2.5 hrs	Flesh white, flakes when forked
Shrimp, Clams, Crab Legs	Full Grate	200°F (93°C)	3 qts (2.8l)	1 - 2 cups (0.28-0.56l)	1 - 2 hrs	Shrimp pink Shells open
WILD GAME						
Quail, Dove, etc.	12 - 16 birds	200°F (93°C)	4 qts (3.8l)	2 - 3 cups (0.56-0.83l)	2 - 4 hrs	Leg moves easily in joint
Pheasant, Duck, etc.	5 - 7 lbs (2.3-3.2kgs)	200°F (93°C)	4 - 5 qts (3.8-4.7l)	2 - 3 cups (0.56-0.83l)	4 - 5 hrs	180-185°F (82-85°C) Well Done

- When outside temperature is cooler than 65°F (18°C) and/or altitude is above 3,500 feet (1067m), additional cooking time may be required. To insure that meat is completely cooked use a meat thermometer to test internal temperature.
- Opening smoker door during cooking process may extend cooking time due to heat loss.

LET'S GET STARTED!

- This is a slow smoker... allow sufficient time for cooking. Smoker is for **OUTDOOR USE ONLY**.
- "Pre-season" smoker prior to first use. See page 17.
- Pre-heat smoker for 30 to 45 minutes at max temperature before loading food.
- **DO NOT** cover racks with aluminum foil as this will not allow heat to circulate properly.
- Do not overload smoker with food. Extra large amounts of food may trap heat, extend cooking time and cause uneven cooking. Leave space between food on racks and smoker sides to ensure proper heat circulation. If utilizing cooking pans, place pans on center of rack to ensure even cooking. Never use glass, plastic or ceramic cookware in unit. Please see manual for more detail.
- Close air damper on top of unit to retain moisture and heat. If cooking foods such as fish or jerky, open air damper to release moisture.
- Store smoker in a dry area after use.
- Extreme cold temperatures may extend cooking times.
- **CLEAN AFTER EVERY USE.** This will extend the life of your smoker and prevent mold and mildew.

ENJOY!

HOW TO CLEAN SMOKER

For rack supports, racks, water bowl and drip pan use a mild dish detergent. Rinse and dry thoroughly.

For wood chip bowl, clean frequently to remove ash build up, residue and dust.

Dispose of cold ashes by placing them in aluminum foil, soaking with water and discarding in a non-combustible container.

For exterior of smoker simply wipe down with a damp cloth. Do not use a cleaning agent. Make sure to dry thoroughly.

ALWAYS MAKE SURE UNIT IS UNPLUGGED AND COOL TO THE TOUCH BEFORE CLEANING AND STORING.



ADVERTENCIA



Este manual contiene información importante que es necesaria para el ensamblaje correcto y el uso seguro de la unidad.

Lea y siga todas las advertencias e instrucciones antes de ensamblar y usar la unidad.

Siga todas las advertencias e instrucciones cuando use la unidad.

Conserve este manual para referencia en el futuro.



PELIGRO DE MONÓXIDO DE CARBONO



Quemar trozos de madera produce monóxido de carbono, el cual no tiene olor y puede causar la muerte.

NO quemar trozos de madera dentro de hogares, vehículos, tiendas para camping, garajes o cualquier área cerrada.

USE SOLAMENTE LAS ÁREAS EXTERIORES donde está bien ventilado.

Si no sigue estas advertencias e instrucciones adecuadamente podría producirse un incendio o explosión, lo que podría causar daños a la propiedad, lesiones personales o la muerte.



ADVERTENCIA



Propuesta 65 de California

1. Los subproductos combustibles producidos a raíz de la utilización de este producto contienen químicos cuyos efectos son reconocidos por el Estado de California por causar cáncer, defectos de nacimiento y otros daños reproductivos.
2. Este producto contiene químicos, entre los cuales se incluye plomo y compuestos de plomo, cuyos efectos son reconocidos por el Estado de California por causar cáncer, defectos de nacimiento u otros daños reproductivos.

Lávese las manos después de manipular este producto.



INFORMACIÓN DE SEGURIDAD Y ADVERTENCIAS GENERALES



LEA TODAS LAS INSTRUCCIONES

- La unidad es SOLAMENTE DE USO EN EXTERIORES.
- Nunca la use dentro de áreas cerradas como patios, garajes, edificios o tiendas de camping.
- Nunca la use dentro de vehículos recreacionales o en botes.
- Nunca opere la unidad bajo construcciones aéreas como por ejemplo, cubiertas de techos, estacionamientos cerrados, toldos o colgantes.
- Nunca use la unidad como estufa. (LEA EL PELIGRO DE MONÓXIDO DE CARBONO).
- Mantenga una distancia mínima de 10 pies (3m) desde construcciones aéreas, paredes, rieles u otras estructuras.
- Mantenga un espacio mínimo de 10 pies (3m) de todo material combustible como por ejemplo, madera, plantas secas, césped, cepillos, papel o lienzos.
- Mantenga la unidad libre de materiales combustibles como gasolina y otros vapores y líquidos inflamables.
- Use la unidad en una superficie nivelada, estable y no combustible, como por ejemplo, tierra, concreto, ladrillo o roca.
- La unidad DEBE estar sobre el suelo. No coloque la unidad sobre mesas o mostradores. NO mueva la unidad a lo largo de superficies desniveladas.

LAS ADVERTENCIAS Y SALVAGUARDAS IMPORTANTES SIGUEN EN LA PÁGINA 6

RECIPES. RECETAS

SALMÓN RELLENO AHUMADO

Rinde 4 porciones

INGREDIENTES:

Salmón (eviscerado)	4 - 5 lb. (1.8 - 2.2 kg)
Aceite	3 cdas
Cebollín (picado)	¼ de taza
Tomate (pelado y picado)	1 taza
Eneldo (fresco y picado)	¼ de taza
Cubitos de pan (secos)	½ taza
Apio (picado)	¼ de taza
Sal	¼ de cda.
Pimienta con limón	½ cda.
Ajo (picado)	1 diente



MADERA SUGERIDA PARA EL AHUMADO: Trocitos de madera

INSTRUCCIONES: Prepare el salmón y úntelo con el aceite. En un tazón pequeño, mezcle los demás ingredientes. Rellene el salmón con la mezcla. Coloque el salmón en una lámina gruesa de papel aluminio, previamente doblada y engrasada. Colóquelo en el ahumador, a una temperatura de 225° F (107° C) y déjelo cocer durante 3 o 4 horas. Verifique que quede espacio en ambos lados del papel, para que circule el aire dentro del ahumador.

JAMÓN GLASEADO CON JARABE DE ARCE

Rinde de 6 a 8 porciones

INGREDIENTES:

Pata o paleta de jamón (totalmente cocida, con el hueso)	5 - 7 lb. (2.2 - 3.1 kg)
Jarabe de arce	1 ½ taza
Jengibre	1 cda.
Nuez moscada	¼ de cda.
Pimienta de Jamaica	½ cda.
Clavos de olor	16 enteros
Rodajas de piña (en conserva)	1 lata
Cerezas al marraquino	1 frasco



MADERA SUGERIDA PARA EL AHUMADO: Trocitos de madera de nogal americano o de mesquite

INSTRUCCIONES: Quite el pellejo grueso y la grasa, dejando una capa alrededor del jamón, de 1/2" (13 mm) de grosor, como máximo. Haga hendiduras en el jamón. En un tazón pequeño, mezcle el jarabe de arce, el jengibre, la nuez moscada y la pimienta de Jamaica (Allspice). Coloque el jamón en un plato grande y úntelo la mezcla del jarabe. Deje reposar la carne en la mezcla del jarabe durante 1 a 2 horas; úntelo la mezcla a menudo, hasta que alcance la temperatura ambiente. Cuando el jamón esté listo para el ahumado, saque el plato y húndale los clavos de olor. Coloque el jamón en el ahumador a 225° F (107° C) Ahúmele durante 2 o 3 horas. Úntelo con la mezcla del jarabe dos veces, al menos, durante dicho tiempo. Cuando falte una hora para terminar el ahumado, adorne el jamón con la conserva de piña y las cerezas, y vuélvalo a untar. La temperatura interna del jamón debe ser de 130° F a 140° F (54° a 60° C) cuando este cocido.

TRUCHA AHUMADA

Rinde 6 porciones

INGREDIENTES:

Filetes de trucha	4 - 6
Agua	2 tazas
Salsa de soya	¼ de taza
Salsa Teriyaki	¼ de taza
Sal	½ taza
Pimienta con limón	1 cda.
Sal de ajo	
Semillas de eneldo	



MADERA SUGERIDA PARA EL AHUMADO: Trocitos de madera de nogal americano, aliso o manzano

INSTRUCCIONES:

En un recipiente pequeño, mezcle las cantidades sugeridas de agua, salsa de soya, salsa Teriyaki y sal, con otros ingredientes de su gusto. Coloque los filetes en el adobo, cúbralos y déjelos en remojo en el refrigerador, de un día para otro. Ahúmelos durante 3 o 4 horas, o hasta que la masa esté suave y seca, a una temperatura de 225° F (107° C).

PALETA DE CERDO AHUMADA

Rinde 6 porciones

INGREDIENTES:

Paleta de cerdo fresca	7 lb. (3.1 kg)
Sal	½ cda.
Azúcar morena	¼ de taza
Chile en polvo	2 cdas



MADERA SUGERIDA PARA EL AHUMADO: Trocitos de madera de manzano

INSTRUCCIONES:

Mezcle los ingredientes y unte la mezcla a la paleta de cerdo. Cuézala en el ahumador durante 5 horas, a una temperatura de 225° F (107° C), usando los trocitos de madera de manzano durante las primeras 3 horas. Luego de transcurridas 5 horas, saque la paleta y envuélvala en papel aluminio grueso. Cocine durante 1 a 1 ½ hora más. La temperatura interna debe ser de 160° F (71° C). Sirvala.

PAVO AHUMADO

Rinde de 6 a 8 porciones

INGREDIENTES:

Pavo	10 - 14 lb. (4.5 - 6.3 kg)
Sal	1 cda.
Azúcar	2 cdas.
Canela	1-2 cdtas.
Manzana (cortada, pelada y enrodajas)	1 mediana
Cebolla (cortada en cuartos)	2 medianas
Tallos de apio con hojas	4 tallos

MADERA SUGERIDA PARA EL AHUMADO: Trocitos de madera de nogal americano o de manzano

INSTRUCCIONES:

Si es necesario, descongele el pavo siguiendo las instrucciones señaladas en la envoltura. Retire los menudos y el pescuezo. Enjuáguelo, escúrralo y séquelo con una toallita. Espolvoree sal en la cavidad del pavo. Mezcle el azúcar y la canela en un tazón pequeño. Empape los trozos de manzana en la mezcla. Rellene la cavidad del pavo con la manzana, las cebollas y el apio. Ciérrela con pinchos de brocheta. Ate los extremos de las patas a la cola, con cordel de cocina. Levante las puntas de las alas, páselas hacia atrás y métalas bajo el espinazo del ave. Caliente el ahumador a 225° F (107° C). Coloque el pavo sobre la rejilla de cocción y cocínelo durante 8 a 12 horas o hasta que la temperatura interna de los muslos llegue a 180° F (82° C). Cubra el pavo y deje que se enfríe o repose 20 minutos antes de cortarlo. Sirvala.



SMOKED STUFFED SALMON
Servings for 4



INGREDIENTS:
Salmon (drawn) 4 - 5 lbs (1.8-2.2 kgs)
Oil 3 tbs
Green Onion (chopped) ¼ cup
Tomato (peeled and chopped) 1 cup
Dill (fresh and chopped) ¼ cup
Bread Cubes (dry) ½ cup
Celery (chopped) ¼ cup
Salt ¼ tsp
Lemon Pepper ½ tsp
Garlic (minced) 1 clove

SUGGESTED WOOD FOR SMOKING:
Hickory Chips

INSTRUCTIONS: Prepare salmon and brush with oil. Combine remaining ingredients in a small bowl. Stuff salmon with mixture. Place salmon on a sheet of heavy aluminum foil that has been doubled and greased. Place in smoker at 225°F (107°C) and cook for 3 to 4 hours. Make sure there is room on either side of foil to allow airflow inside smoker.

MAPLE GLAZED HAM
Servings for 6-8

INGREDIENTS:
Ham Shank or Butt (fully cooked, bone-in) 5 - 7 lbs (2.2-3.1 kgs)
Maple Syrup 1 ½ cup
Ginger 1 tsp
Nutmeg ¼ tsp
Allspice ½ tsp
Cloves 16 whole
Pineapple Slices (canned) 1 can
Maraschino Cherries 1 jar

SUGGESTED WOOD FOR SMOKING:
Hickory or Mesquite Chips



INSTRUCTIONS: Remove thick skin and trim fat leaving no more than 1/2" (13mm) thick covering on ham. Score ham. Combine syrup, ginger, nutmeg, and allspice in a small bowl. Place ham in a large dish and baste with syrup mixture. Let ham stand in syrup mixture for 1 to 2 hours basting frequently until ham at room temperature. When ready to smoke remove ham from dish and stud with cloves. Place ham in 225°F (107°C) smoker. Cook for 2 to 3 hours. Baste with syrup mixture at least two times during cooking time. Before last hour of smoking, decorate ham with canned pineapple and cherries and baste. Internal temperature of ham should be at 130°F to 140°F (54-60°C) when heated thru.

SMOKED TROUT
Servings for 6



INGREDIENTS:
Trout Fillets 4 - 6
Water 2 cups
Soy Sauce ¼ cup
Teriyaki Sauce ¼ cup
Salt ½ tbsp
Lemon Pepper 1 tsp
Garlic Salt
Dill Seed

SUGGESTED WOOD FOR SMOKING:
Hickory, Alder or Apple Chips

INSTRUCTIONS: Mix recommended amounts of water, soy sauce, teriyaki sauce and salt with other ingredients to your liking in a small container. Place fillets into marinade, cover and let soak in refrigerator overnight. Smoke for 3 to 4 hours or until meat is flaky and dry in smoker at 225°F (107°C).

SMOKED PORK BUTT
Servings for 6



INGREDIENTS:
Fresh Pork Butt 7 lbs (3.1kgs)
Salt ½ tsp
Brown Sugar ¼ cup
Chili Powder 2 tbs

SUGGESTED WOOD FOR SMOKING:
Apple Chips

INSTRUCTIONS: Mix ingredients and rub onto pork butt. Cook pork butt for 5 hours in 225°F (107°C) smoker using apple wood chips during first 3 hours. After 5 hours remove butt and wrap in heavy foil. Cook for an additional 1 to 1 ½ hours. Internal temperature should be 160°F (71°C). Serve.

SMOKED TURKEY
Servings for 6-8



INGREDIENTS:
Turkey 10 - 14 lbs (4.5-6.3 kgs)
Salt 1 tbs
Sugar 2 tb
Cinnamon 1-2 tpsps
Apple (cored, peeled, and quartered) 1 average
Onion (quartered) 2 medium
Celery stalks with leaves 4 stalks

SUGGESTED WOOD FOR SMOKING:
Hickory or Apple Chips

INSTRUCTIONS: Thaw turkey according to package directions if necessary. Remove giblets and neck. Rinse and pat dry. Sprinkle turkey cavity with salt. Combine sugar and cinnamon in small bowl. Dredge apple in mixture. Stuff apple, onion and celery into cavity. Close with skewers. Tie ends of legs to tail with kitchen string. Lift wing tips up and over the back to tuck under. Set smoker to 225°F (107°C). Place turkey on cooking rack and cook for 8 to 12 hours or until inner thigh temperature reaches 180°F (82°C). Cover turkey and chill or let stand 20 minutes before carving. Serve.

**INFORMACIÓN DE SEGURIDAD
Y ADVERTENCIAS GENERALES**



**ADVERTENCIAS Y SALVAGUARDAS
IMPORTANTES QUE VIENEN DE LA PAGINA 5**

- No utilice la unidad sobre superficies de madera o inflamables.
- No deje la unidad desatendida.
- Nunca use la unidad para otra cosa que no sea su uso intencionado. Esta unidad NO es para uso comercial.
- Mantenga un extintor de incendios accesible en todo momento mientras opere la unidad.
- Antes de cada uso verifique todas las tuercas, tornillos y pernos para asegurarse que estén ajustados y seguros.
- El uso de alcohol, fármacos recetados o sin receta pueden restringir la capacidad del usuario de ensamblar correctamente la unidad u operarla con seguridad.
- Mantenga a los niños y mascotas alejados de la unidad en todo momento. NO permita que los niños usen la unidad. Se requiere una supervisión cercana si hay niños o mascotas en el área cuando se está usando la unidad.
- NO permita que nadie lleve a cabo actividades cerca a la unidad durante o después de su uso hasta que se haya enfriado.
- Evite chocar o golpear la unidad.
- Nunca mueva la unidad cuando esté en uso. Deje que la unidad se enfríe completamente (por debajo de 115°F (45°C)) antes de moverla o almacenarla.
- La unidad está CALIENTE cuando está en uso y seguirá CALIENTE por un período de tiempo después y durante el proceso de enfriamiento. Tenga CUIDADO. Use guantes/mitones de protección.
- No toque las superficies CALIENTES.
- No use perlas de madera.
- Nunca use utensilios de vidrio, plástico o cerámica. Nunca coloque utensilios vacíos en la unidad mientras está en uso.
- NO se recomienda usar accesorios adicionales no suministrados por Masterbuilt Manufacturing, Inc., los cuales podrían causar lesiones.
- La bandeja para la madera está CALIENTE cuando la unidad está en uso. Tenga cuidado cuando agrega madera.
- Tenga cuidado cuando retire los alimentos de la unidad. Todas las superficies están CALIENTES y pueden causar quemaduras. Use guantes de protección o herramientas de cocina largas y resistentes.
- Siempre use la unidad en conformidad con todos los códigos contra incendios locales, estatales y federales aplicables.
- Deseche las cenizas frías colocándolas en papel aluminio, remojándolas en agua y descartándolas en un contenedor no combustible.
- No guarde la unidad con cenizas CALIENTES dentro de la misma. Guárdela solamente cuando todas las superficies estén frías.
- Cuando use aparatos eléctricos, siempre se deben seguir las precauciones de seguridad básicas, incluyendo lo siguiente:
- No enchufe el ahumador eléctrico hasta que esté completamente ensamblado y listo para usarse.
- Use solamente un tomacorriente eléctrico aprobado y puesto a tierra.
- No lo use durante una tormenta eléctrica.
- No exponga el ahumador eléctrico a la lluvia o agua en cualquier momento.
- Para protegerse contra descargas eléctricas no sumerja el cable, enchufe o panel de control en agua u otro líquido.
- No opere ningún artefacto con un cable o enchufe dañado, o luego que el artefacto se haya malogrado o dañado de cualquier manera. Contacte al Servicio al cliente de Masterbuilt si desea asistencia al 1-800-489-1581.

**LAS ADVERTENCIAS Y SALVAGUARDAS
IMPORTANTES SIGUEN EN LA PAGINA 7**



INFORMACIÓN DE SEGURIDAD Y ADVERTENCIAS GENERALES



ADVERTENCIAS Y SALVAGUARDAS IMPORTANTES QUE VIENEN DE LA PAGINA 6

- Existen cables de extensión o cables de suministro de alimentación desmontables más largos disponibles y pueden usarse, si se ejerce cuidado en su uso.
- Si se usa un cable de extensión o cable de suministro de alimentación desmontable más largo: 1. La calificación eléctrica marcada del set de cables o del cable de extensión debe ser por lo menos tanto como la calificación eléctrica del aparato; y 2. El cable debe acomodarse de tal forma que no cuelgue sobre el mostrador donde los niños podrían tirar de él o tropezarse con él accidentalmente.
- El cable de extensión debe ser un cable puesto a tierra de 3 alambres.
- Los cables de extensión externos deben usarse con productos de uso externo y deben ir marcados con una "W" y con la frase "Adecuado para uso con aparatos exteriores"
- **PRECAUCIÓN:** Para reducir el riesgo de descarga eléctrica, mantenga la conexión del cable de extensión seca y lejos del suelo.
- No deje que el cable cuelgue o que toque superficies calientes.
- No lo coloque en o cerca a un quemador eléctrico/de gas caliente o en un horno caliente.
- El combustible, como las briquetas de carbón o perlas de calor, no deben usarse en el ahumador eléctrico.
- Para desconectar, apague el panel de control y luego retire el enchufe del tomacorriente.
- Desenchufe del tomacorriente cuando no esté en uso y antes de limpiarlo. Deje que la unidad se enfríe completamente antes de agregar/sacar bastidores, bandeja o cuenco de agua.
- Bandeja de goteo es sólo para la parte inferior del ahumador eléctrico. No coloque la bandeja de goteo en el estante esto puede dañar el ahumador.
- No cubra bastidores con papel de aluminio. Esta trampa de calor y causará graves daños a ahumador eléctrico.
- No limpie este producto con un rociador de agua o similar.

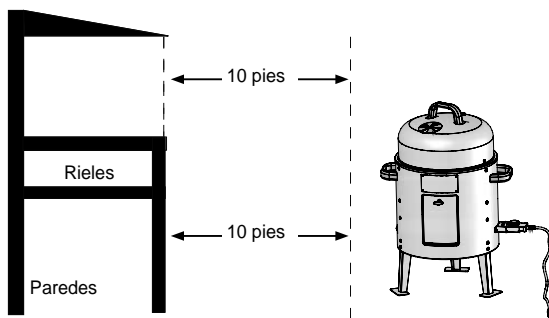
CONSERVE ESTAS INSTRUCCIONES

RECOMENDACIONES SOBRE PROXIMIDAD ESTRUCTURAL Y USO SEGURO

RECORDATORIO:

NUNCA OPERE ESTE AHUMADOR BAJO NINGUNA CONSTRUCCIÓN AÉREA. MANTENGA UNA DISTANCIA DE 10 PIES COMO MÍNIMO DE CONSTRUCCIONES AÉREAS, PAREDES O RIELES.

Construcción aérea



ADVERTENCIA:
HAY PELIGRO DE
TROPIEZO CON EL CABLE
ELÉCTRICO

INSTRUCCIONES DE FUNCIONAMIENTO



Paso 1

Conecte el controlador al cuerpo fumador.

Paso 2

Enchufe el cordón a un tomacorriente (consulte en el manual, la sección "Advertencias y medidas de protección importantes").

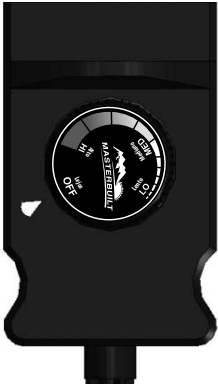
Paso 3

Gire la perilla de control a la graduación que desee. La luz indicadora se apagará una vez que se haya alcanzado la temperatura deseada.

GUÍA PARA LA RESOLUCIÓN DE PROBLEMAS

PROBLEMA	CAUSA	SOLUCIÓN POSIBLE
La luz de encendido no se prende	No está enchufada en el tomacorriente	Verifique la conexión de salida
	El cable de la unidad de control no está enchufado a la base	Verifique la conexión de la unidad
	El fusible de casa se ha quemado	Asegúrese que otros artefactos no estén operando en el mismo circuito eléctrico. Verifique los fusibles de la casa
	El controlador no está funcionando bien	Contacte a Masterbuilt al: 1.800.489.1581
La unidad toma demasiado tiempo en calentarse, (más de 15-20 min) o no calienta lo suficiente	La unidad ha sido enchufada a un cable de extensión	Configure la unidad de tal manera que no se tenga que usar un cable de extensión
	La tapa no está en su lugar	Cierre la tapa para retener el calor en la unidad
	El controlador no está funcionando bien	Contacte a Masterbuilt al: 1.800.489.1581
El controlador no ajusta el calor	No está enchufada a la pared	Verifique la conexión de la pared
	El cable de la unidad de control no está enchufado a la base	Verifique la conexión de la unidad
	El controlador no está funcionando bien	Contacte a Masterbuilt al: 1.800.489.1581
La parrilla alcanza temperaturas extremadamente altas	La configuración de temperatura está demasiado alta	Ajuste el controlador a una configuración menor
	Controlador/elemento	Contacte a Masterbuilt al: 1.800.489.1581
Se reaviva el fuego frecuentemente	Cocción de alimentos grasosos	Use la configuración de temperatura baja con la tapa abierta
	Acumulación de grasa	Limpie el recolector de grasa interno y la base de la parrilla
La luz está encendida, pero la unidad no está calentando.	El controlador no está funcionando bien	Contacte a Masterbuilt al: 1.800.489.1581
	Elemento defectuoso	Contacte a Masterbuilt al: 1.800.489.1581

OPERATING INSTRUCTIONS



Step 1

Connect controller to smoker body.

Step 2

Plug power cord into an outlet (refer to "Warnings & Important Safeguards" section of manual).

Step 3

Turn control knob to desired setting.

Indicator light will turn off when set temperature is reached.

TROUBLESHOOTING GUIDE

SYMPTOM	CAUSE	POSSIBLE SOLUTION
Power light will not come on	Not plugged into outlet	Check outlet connection
	Control unit cord not plugged into base pan	Check unit connection
	House fuse tripped	Make sure other appliances are not operating on the same electrical circuit. Check household fuses
	Controller malfunctioning	Contact Masterbuilt at 1.800.489.1581
Unit takes excessive amount of time to heat up, (longer than 15-20 min) or not enough heat	Unit plugged into an extension cord	Set unit so an extension cord does not have to be used
	Lid not in place	Close lid to retain heat in unit
	Controller malfunctioning	Contact Masterbuilt at 1.800.489.1581
Controller does not adjust heat	Not plugged into wall	Check wall connection
	Control unit cord not plugged into base pan	Check unit connection
	Controller malfunctioning	Contact Masterbuilt at 1.800.489.1581
Grill reaches extremely high temperatures	Temperature setting too high	Adjust controller to lower setting
	Controller/element	Contact Masterbuilt at 1.800.489.1581
Frequent flare-ups	Cooking fatty foods	Use low temperature setting with lid open
	Grease build-up	Clean internal grease cup and grill base
Power light is on, unit isn't heating.	Controller malfunctioning	Contact Masterbuilt at 1.800.489.1581
	Faulty element	Contact Masterbuilt at 1.800.489.1581

¡EMPECEMOS!

- Este es un ahumador lento... permita que haya suficiente tiempo para la cocción. El ahumador SOLO DEBE USARSE EN EXTERIORES.
- "Sazone previamente" el ahumador antes de su primer uso. Consulte la página 18.
- Precaliente el ahumador por 30 a 45 minutos en la máxima temperatura antes de cargar los alimentos.
- NO cubra las rejillas con papel de aluminio, ya que esto no permitirá que el calor circule correctamente.
- No sobrecargue el ahumador con alimentos. Las cantidades extra grandes de alimento pueden capturar el calor, extender el tiempo de cocción y causar una cocción desigual. Deje espacio entre los alimentos en la rejilla y los lados del ahumador para asegurar una correcta circulación del calor. Si utiliza bandejas de cocción, coloque las bandejas en la parte central de la rejilla para asegurar una cocción uniforme. Consulte el manual para mayores detalles.
- Cierre el regulador de aire de la unidad para retener la humedad y el calor. Si cocina alimentos como pescado o carne seca, abra el regulador de aire para liberar la humedad.
- Almacene el ahumador en un área seca después de su uso.
- Las temperaturas extremadamente frías pueden extender los tiempos de cocción.
- LIMPIE DESPUÉS DE CADA USO. Esto extenderá la vida de su ahumador y evitará la formación de moho y hongos.

¡DISFRUTE!

CÓMO LIMPIAR EL AHUMADOR

Para los soportes de la estante, las estante para ahumar, el tazón de agua y la bandeja de goteo use un detergente para platos suave. Enjuague y seque exhaustivamente.

Para Tazón de fuente de llama, limpie con frecuencia para retirar la acumulación de cenizas, los residuos y el polvo.

Deseche las cenizas frías colocándolas en papel aluminio, remojándolas en agua y descartándolas en un contenedor no combustible.

Para exterior del fumador, simplemente limpie con un trapo húmedo. No use un agente limpiador. Asegúrese de secar todo exhaustivamente.

SIEMPRE ASEGÚRESE QUE LA UNIDAD ESTÁ DESENCHUFADA Y FRÍA AL TACTO ANTES DE LIMPIAR Y GUARDAR.

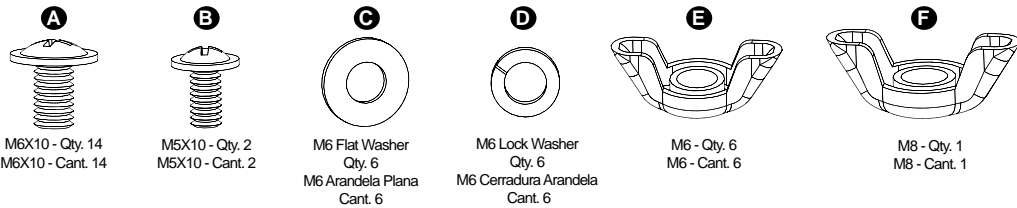


DO NOT RETURN TO RETAILER For Assembly Assistance, Missing or Damaged Parts
Call: MASTERBUILT Customer Service at 1-800-489-1581.
Please have Model Number and Serial Number available when calling.
These numbers are located on the silver label on the back of unit.

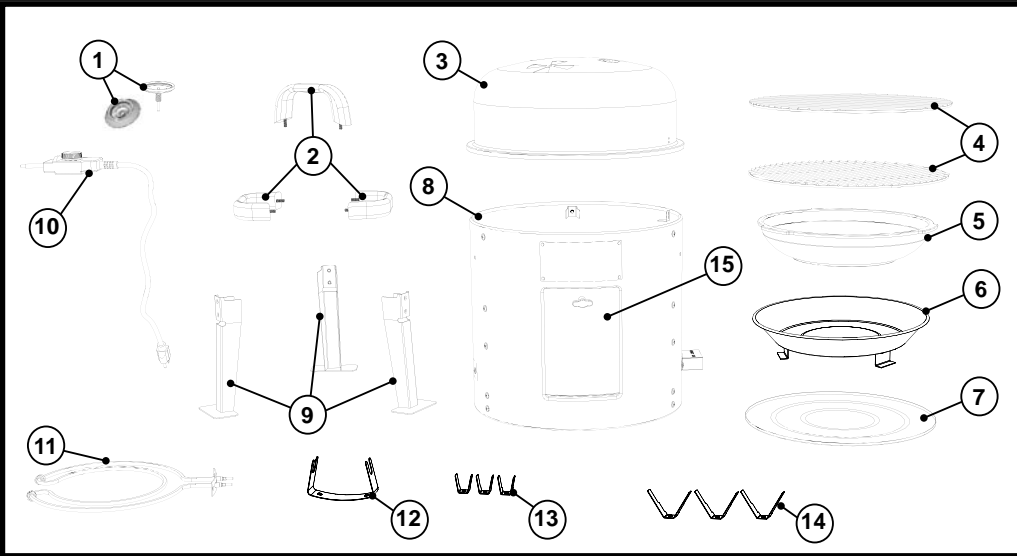


NO REGRESE AL MINORISTA Para obtener asistencia con el ensamble, piezas dañadas o faltantes
Llame a: Servicio al cliente MASTERBUILT al 1-800-489-1581.
Antes de llamar tenga a la mano los números de modelo y serie.
Estos números se encuentran en la etiqueta plateada en la parte posterior de la unidad.

HARDWARE LIST. LISTA DE HARDWARE



PARTS LIST. LISTA DE PIEZAS



INSTRUCCIONES DE PRE-SAZONADO

SAZONE PREVIAMENTE EL AHUMADOR ANTES DEL PRIMER USO.

Algo de humo puede aparecer en este momento, esto es normal.

1. Asegúrese que la bandeja de agua esté en su lugar y SIN AGUA.
2. Ajuste la temperatura a la alta y encienda la unidad durante 3 horas.
3. Durante los últimos 45 minutos, agregue 1/2 taza de chips de madera en el cuenco
4. Apague la unidad y permita que se enfríe.

NOTA: Nunca agregue más de 1/2 taza (1 cargador de trozos llenado) por vez. No se debe agregar trozos adicionales hasta que los trozos agregados previamente hayan dejado de generar humo.

HECHOS IMPORTANTES SOBRE EL USO DEL AHUMADOR

- La configuración máxima de temperatura es 275°F (135°C).
- NO mueva la unidad a lo largo de superficies desiguales.
- Tazón de fuente de llama DEBEN estar en su lugar cuando se usa el ahumador. Esto minimiza la probabilidad de tener estallidos de la madera.
- Los trozos de madera deben usarse para producir humo y crear un sabor ahumado.
- No abra la puerta del ahumador a menos que sea necesario. Abrir la puerta del ahumador hace que se escape el calor y podría hacer que la madera estalle. Cerrar la puerta reestabilizará la temperatura y detendrá los estallidos.
- No deje cenizas de madera antiguas en la bandeja de trozos de madera. Una vez que las cenizas están frías, vacíe la bandeja. La bandeja debe limpiarse antes y después de cada uso para evitar la acumulación de cenizas.
- Este es un ahumador. Se producirá bastante humo cuando use los trozos de madera. El humo escapará a través de uniones y el interior del ahumador se pondrá negro. Esto es normal.
- Abrir la puerta del ahumador durante la cocción puede extender el tiempo de cocción debido a la pérdida de calor.
- Cuando la temperatura externa es menor de 65°F (18°C) y/o la altitud es mayor de 3,500 pies (1067m), se puede requerir un tiempo adicional de cocción. Para asegurarse que la carne esté completamente cocida, use un termómetro para carne para probar la temperatura interna.

GUÍA DE AHUMADO CON MADERA PARA CARNES

SABOR DE LA MADERA	AVES	PESCA-DO	JAMÓN	RES	CERDO	CORDE-RO
Nogal Sabor picante, ahumado, similar al tocino	✓	✓	✓	✓	✓	
Mezquite Sabor dulce y delicado	✓			✓		✓
Aliso Sabor delicado, de madera ahumada	✓	✓			✓	
Pecana Sabor intenso y robusto	✓	✓			✓	
Arce Sabor dulce y sutil	✓	✓			✓	
Manzano Sabor dulce y delicado	✓				✓	
Cerezo Sabor dulce y delicado	✓				✓	

PRE-SEASON INSTRUCTIONS

PRE-SEASON SMOKER PRIOR TO FIRST USE.

Some smoke may appear during this time, this is normal.

1. Make sure water pan is in place with NO WATER.
2. Set controller to high and run unit for 3 hours.
3. To complete pre-seasoning, during last 45 minutes, add ½ cup of wood chips in wood chip bowl.
4. Shut down and allow to cool.

NOTE: Never add more than ½ cup (1 filled chip loader) at a time. Additional chips should not be added until any previously added chips have ceased generating smoke.

IMPORTANT FACTS ABOUT USING SMOKER

- Maximum temperature is 275°F (135°C).
- Do NOT move unit across uneven surfaces.
- Wood chip bowl MUST be in place when using smoker. This minimizes the chance of wood flare ups.
- Wood chips must be used in order to produce smoke and create the smoke flavor.
- Do not open smoker access door unless necessary. Opening smoker access door causes heat to escape and may cause wood to flare up. Closing the door will re-stabilize the temperature and stop flare up.
- Do not leave old wood ashes in the wood chip tray. Once ashes are cold, empty tray. Tray should be cleaned out prior to, and after each use to prevent ash buildup.
- This is a smoker. There will be a lot of smoke produced when using wood chips. Smoke will escape through seams and turn the inside of smoker black. This is normal.
- Opening smoker access door during cooking process may extend cooking time due to heat loss.
- When outside temperature is cooler than 65°F (18°C) and/or altitude is above 3,500 feet (1067m), additional cooking time may be required. To insure that meat is completely cooked use a meat thermometer to test internal temperature.

WOOD SMOKING GUIDE FOR MEATS

WOOD FLAVOR	POULTRY	FISH	HAM	BEEF	PORK	LAMB
Hickory Pungent, smoky, bacon-like flavor	✓	✓	✓	✓	✓	
Mesquite Sweet and delicate flavor	✓			✓		✓
Alder Delicate, wood smoke flavor	✓	✓			✓	
Pecan Bold and hearty flavor	✓	✓			✓	
Maple Sweet, subtle flavor	✓				✓	
Apple Sweet, delicate flavor	✓	✓			✓	
Cherry Sweet, delicate flavor	✓				✓	

PARTS LIST, LISTE DES PIÈCES, LISTA DE PARTES

NO/NO	QTY/CANT.	DESCRIPTION	DESCRIPCIÓN
1	1	Temperature Gauge w/ Bezel	Medidor de Temperatura w / Bisel
2	3	Handles	Manijas
3	1	Lid	Tapa
4	2	Smoking Racks	Fumadores Estantes
5	1	Water Bowl	Agua Tazón
6	1	Wood Bowl	Tazón Para la Madera
7	1	Heat Shield	Escudo Térmico
8	1	Smoker Body	Cuerpo Fumador
9	3	Legs	Piernas
10	1	Analog Controller	Control Analógico
11	1	Element	Elemento
12	1	Element Support	Soporte de Elemento
13	3	Short Brackets	Ménsulas Cortas
14	3	Long Brackets	Ménsulas Largo
15	1	Smoker Door	Fumador Puerta

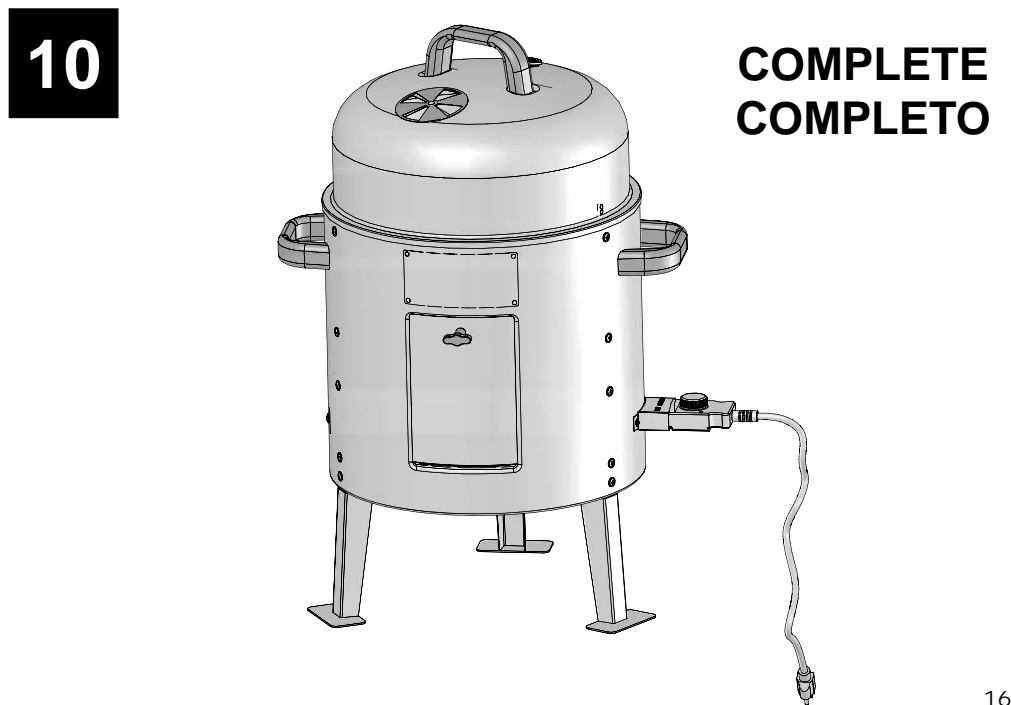
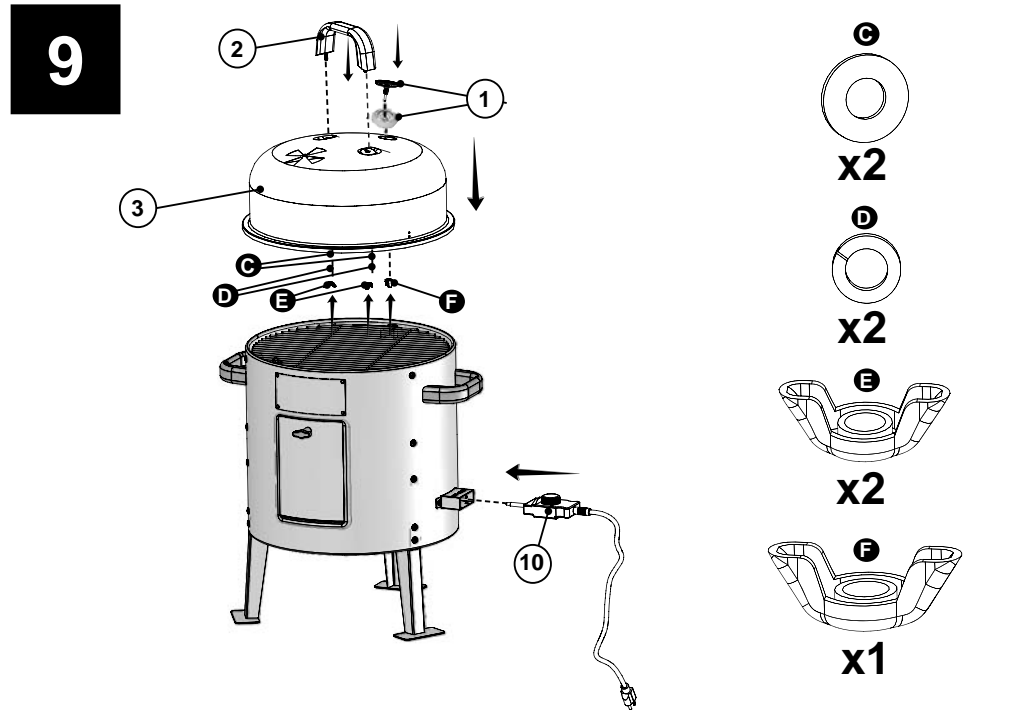
- BEFORE ASSEMBLY READ ALL INSTRUCTIONS CAREFULLY.
- ASSEMBLE UNIT ON A CLEAN, FLAT SURFACE.
- TOOLS NEEDED: Adjustable Wrench, Phillips Head Screwdriver
- ** It is possible that some assembly steps have been completed in the factory. **

- ANTES DEL ENSAMBLAJE LEA TODAS LAS INSTRUCCIONES CUIDADOSAMENTE.
- ENSAMBLE LA UNIDAD EN UNA SUPERFICIE LIMPIA Y PLANA.
- HERRAMIENTA NECESARIA: DESTORNILLADOR EN CRUZ.
- ** Algunos pasos del ensamblaje pueden ya estar completados debido a un preensamblaje en fábrica. **

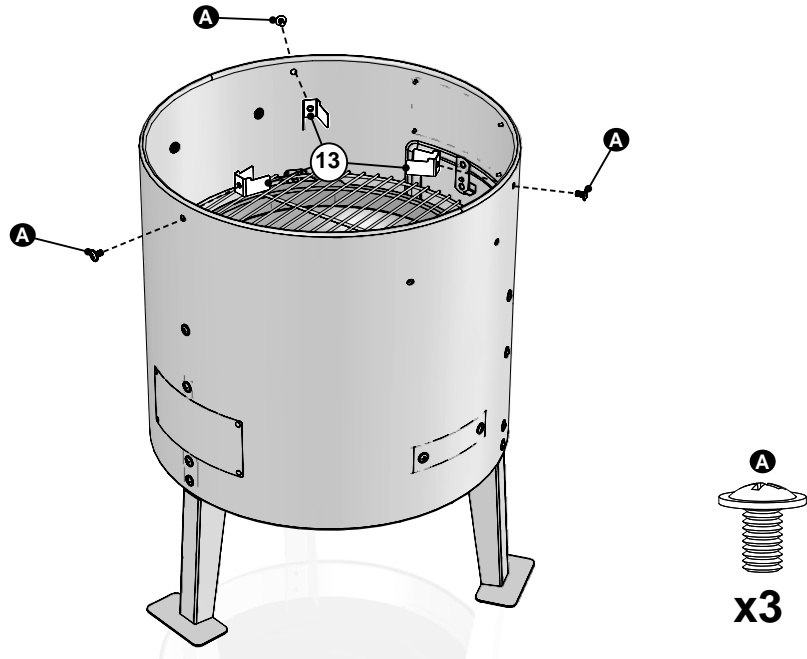
PARTS LIST, LISTE DES PIÈCES, LISTA DE PARTES

REPLACEMENT PART	REPUESTO	NO/NO
Smoker Body Kit	Kit Fumador Cuerpo	990060064
Lid Kit	Kit Tapa	990060063
Smoking Rack Support Brackets Kit	Fumar rack soportes Kit	990060060
Water Bowl/Smoking Rack Support Brackets Kit	Agua Tazón / Rack de Fumadores Soportes Kit	990060061
Handle Kit	Kit de Manija	990060194
Leg Kit	Kit Pierna	990060066
Temperature Gauge Kit	Kit de Medidor de Temperatura	990060073
Element Bracket Kit	Kit Elemento Soporte	9907150015
Element Kit	Kit Elemento	9907080020
Analog Control w/Power Cord	Control Analógico	9007090063
Heat Shield Pan	Escudo Térmico	9007080036
Wood Bowl	Tazón Para la Madera	9007080035
Water Bowl	Agua Tazón	9007080034
Smoking Rack	Estantería de Fumadores	911060031
Access Door	Puerta de Acceso	909050003
Hardware Kit	Kit de hardware	998050008
Instruction Manual	Manual de Instrucciones	9807150076

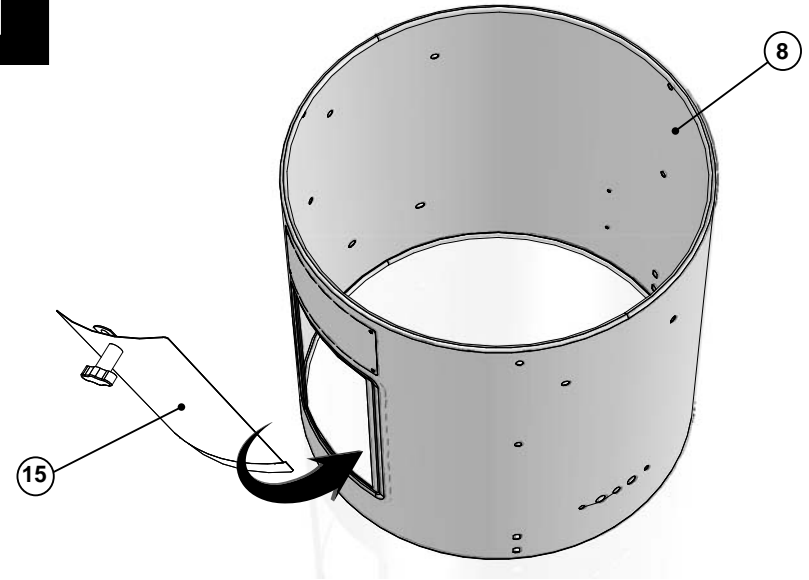
ASSEMBLY, ENSAMBLAJE



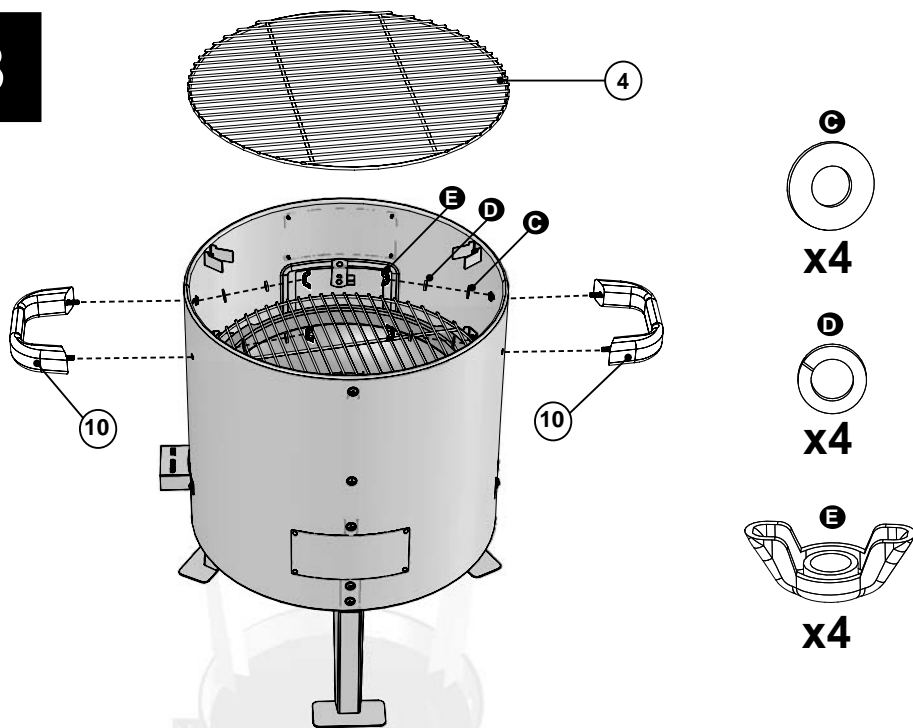
7



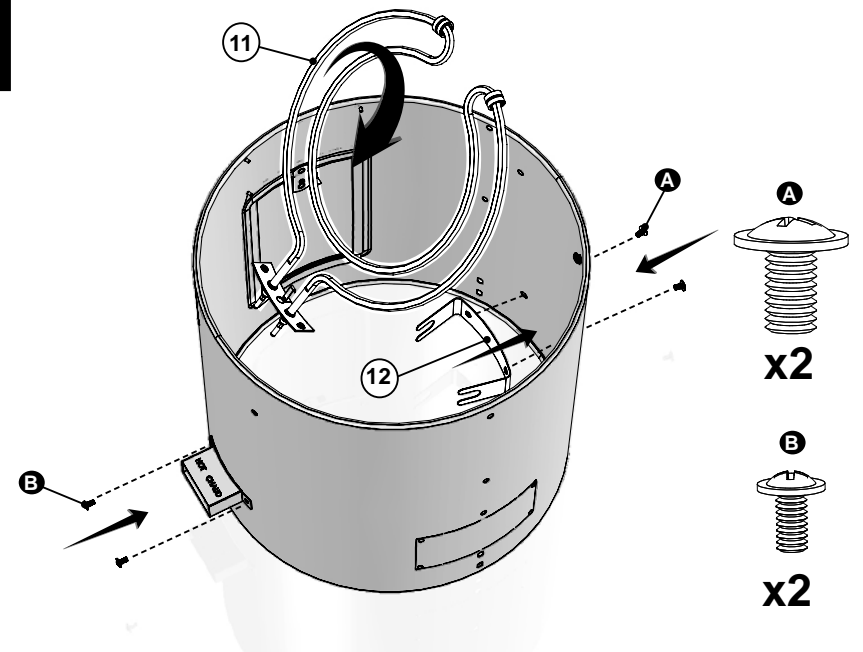
1



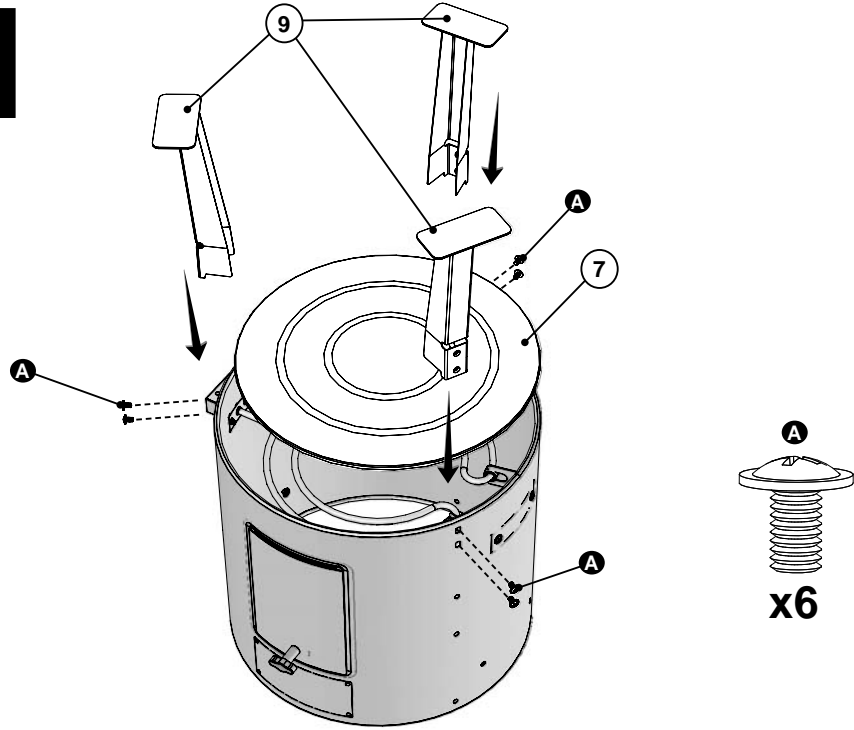
8



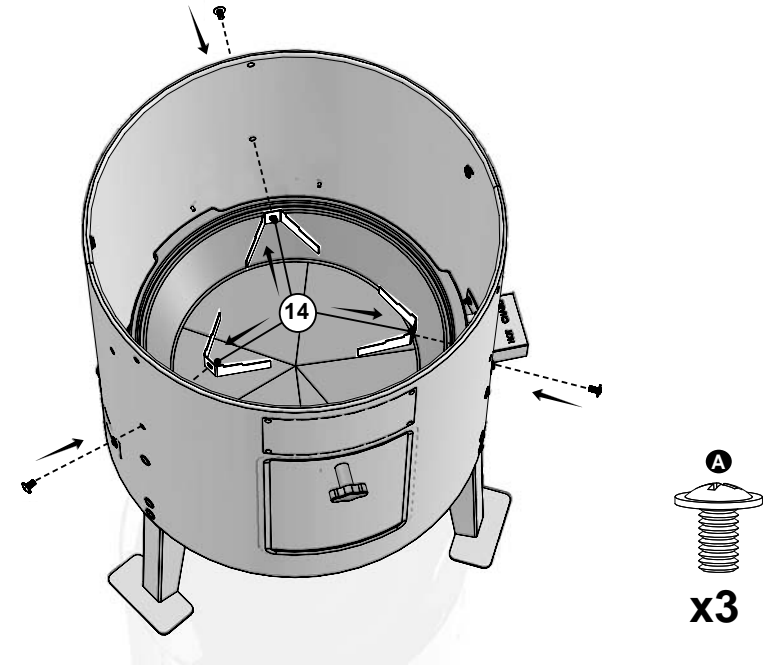
2



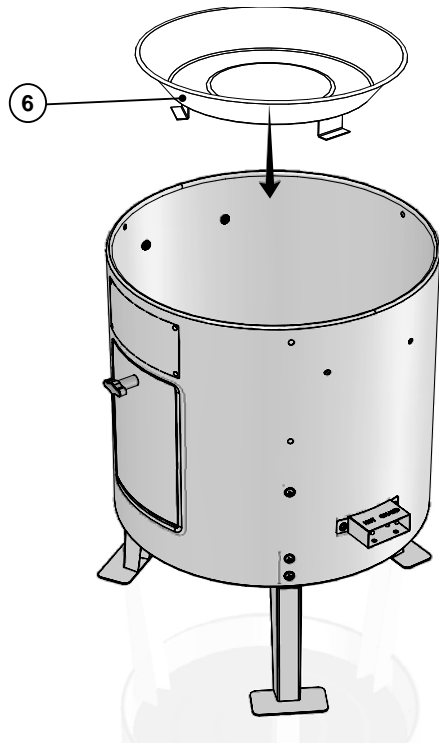
3



5



4



6

