

*Continental*TM
E L E C T R I C

0.7 CU.FT.
MICROWAVE

User Manual

CE-CMC779US-TH



**PLEASE READ CAREFULLY
AND KEEP THESE INSTRUCTIONS**

IMPORTANT SAFEGUARDS

When using electrical appliances basic safety precautions should be followed, including the following:

WARNING – To reduce the risk of burns, electric shock, fire, injury to persons, or exposure to excessive microwave energy.

1. Read all instructions before using the appliance.
 2. Read and follow the specific "**PRECAUTIONS TO AVOID POSSIBLE EXPOSURE TO EXCESSIVE MICROWAVE ENERGY**" found on page 8.
 3. This appliance must be grounded. Connect only to properly grounded outlet. See "**GROUNDING INSTRUCTIONS**" found on page 9.
 4. Install or locate this appliance only in accordance with the provided installation instructions.
 5. Some products such as whole eggs and sealed containers – for example, closed glass jars – are able to explode and should not be heated in this oven.
 6. Use this appliance only for its intended use as described in the manual. Do not use corrosive chemicals or vapors in this appliance. This type of oven is specifically designed to heat, cook, or dry food. It is not designed for industrial or laboratory use.
 7. As with any appliance, close supervision is necessary when used by children.
 8. Do not operate this appliance if it has a damaged cord or plug, if it is not working properly, or if it has been damaged or dropped.
 9. This appliance should be serviced only by qualified service personnel. Contact nearest authorized service facility for examination, repair, or adjustment.
 10. Do not cover or block any openings on the appliance.
 11. Do not store this appliance outdoors. Do not use this product near water – for example, near a kitchen sink, in a wet basement, near a swimming pool, or similar locations.
 12. Do not immerse cord or plug in water.
 13. Keep cord away from heated surfaces.
 14. Do not let cord hang over edge of table or counter.
 15. When cleaning surfaces of door and oven that comes together on closing the door, use only mild, nonabrasive soaps, or detergents applied with a sponge or soft cloth.
- 16. To reduce the risk of fire in the oven cavity:**
- a. Do not overcook food. Carefully attend appliance when paper, plastic, or other combustible materials are placed inside the oven to facilitate cooking.
 - b. Remove wire twist-ties from paper or plastic bags before placing bag in oven.
 - c. If materials inside the oven ignite, keep oven door closed, turn oven off, and disconnect the power cord, or shut off power at the fuse or circuit breaker panel.
 - d. Do not use the cavity for storage purposes. Do not leave paper products, cooking utensils, or food in the cavity when not in use.
17. Liquids, such as water, coffee, or tea are able to be overheated beyond the boiling point without appearing to be boiling. Visible bubbling or boiling when the container is removed from the microwave oven is not always present.

THIS COULD RESULT IN VERY HOT LIQUIDS SUDDENLY BOILING OVER WHEN THE CONTAINER IS DISTURBED OR A UTENSIL IS INSERTED INTO THE LIQUID.

18. Notice for extension cord:

- a. A short power-supply cord is provided to reduce the risks resulting from becoming entangled in or tripping over a longer cord.
- b. Longer cord sets or extension cords are available and may be used if care is exercised in their use.
- c. If a long cord or extension cord is used:
 - 1) The marked electrical rating of the cord set or extension cord should be at least as great as the electrical rating of the appliance.
 - 2) The extension cord must be a grounding-type 3-wire cord; and
 - 3) The longer cord should be arranged so that it will not drape over the counter top or tabletop where it can be pulled on by children or tripped over unintentionally.

The following basic precautions should always be followed when using electrical appliance:

1. Read all instructions before using.
2. Make sure the voltage in your living area corresponding to the one shown on the rating label of the appliance. And the wall socket is properly grounded.

3. TO reduce the risk of fire in the oven cavity:

- a. DO not overcook the food.
- b. Remove wire twist -ties from paper or plastic bags before placing bags in the oven.
- c. Do not heat oil or fat for deep drying as the temperature of oil cannot be controlled.
- d. After use wipe the waveguide cover with a damp cloth, followed by dry cloth to remove any food splashes and grease. Built -up grease may overheat and begin to cause smoke or catch fire.
- e. If materials inside the oven should smoke or ignite, keep oven door closed, turn oven off and disconnect the power supply.
- f. Close supervision is necessary when using disposable containers made from plastic, paper or other combustible material.

4. TO reduce the risk of explosion and sudden boiling:

- a. Do not place sealed containers in the oven. Baby bottles fitted with a screw cap or teat are considered to be sealed containers.
- b. When boiling liquid in the oven, use the wide -mouthed container and stand about 20 seconds at the end of cooking to avoid delayed eruptive boiling of liquids.
- c. Potatoes, sausage and chestnut should be peeled or pierced before cooking. Eggs in their shell, whole hard -boiled eggs should not be heated in microwave ovens since they may explode, even after microwave heating has ended.
- d. The cooked liquid should not be removed out immediately. Several moments should be waited before removing. In order to avoid possible hazards caused by delayed eruptive boiling of liquids.
- e. The contents of feeding bottles and baby food jars are to be stirred or shaken and the temperature is to be checked before consumption, in order to avoid burns.

5. Never operate the oven further if the door or door seals is damaged or the oven is malfunctioned or supply cord is damaged. Return the appliance to the nearest authorised service center for repair and maintenance. Never try to adjust or repair the oven yourself.
6. If the supply cord is damaged, it must be replaced by the manufacturer or its service agent or a qualified technician in order to avoid a shock hazard.
7. After cooking, the container is very hot. Using gloves to take out the food and avoid steam burns by directing steam away from the face and hands.
8. Slowly lift the furthest edge of dishes cover and microwave plastic wrap and carefully open popcorn and oven cooking bags away from the face.
- 9. TO prevent the turntable from breaking:**
 - a. Let the turntable cool down before cleaning.
 - b. Do not place hot foods or utensils on the cold turntable.
 - c. Do not place frozen foods or utensils on the hot turntable.
10. Make sure the utensils do not touch the interior walls during cooking.
11. Failure to maintain the oven in a clean condition could lead to deterioration of the surface that could adversely affect the life of the appliance and possibly result in a hazardous situation.
12. Only use utensils that are suitable for use in microwave ovens.
13. Do not store food or any other things inside the oven.
14. Do not operate the oven without any liquid or food inside the oven. This would do damage the oven.
15. This appliance is not intended for using by young children or infirm persons without supervision.
16. When the appliance is operated in the combination mode, children should only use the oven under adult supervision due to the temperatures generated.
17. Any accessories not recommended by the manufacturer may cause injuries to persons.
18. Do not use outdoors.
19. Save these instructions.
20. **WARNING:** If the door or door seals are damaged, the oven must not be operated until it has been repaired by a competent person.
21. **WARNING:** It is hazardous for anyone other than a competent person to carry out any service or repair operation that involves the removal of a cover which gives protection against exposure to microwave energy.
22. **WARNING:** Liquids and other foods must not be heated sealed container since they are liable to explode.
23. **WARNING:** Only allow children to use the oven without supervision when adequate instructions have been given so that the child is able to use the oven in a safe way and understands the hazards of improper use.
24. Only use utensils that are suitable for use in microwave ovens.
25. When heating food in plastic or paper containers, keep an eye on the oven due to the possibility of ignition.
26. If smoke is observed, switch off or unplug the appliance and keep the door closed in order to stifle any flames.
27. Microwave heating of beverages can result in delayed eruptive boiling, therefore care must

be taken when handling the container.

28. The contents of feeding bottles and baby food jars shall be stirred or shaken and the temperature checked before consumption, in order to avoid burns.

29. Eggs in their shell and whole hard-boiled eggs should not be heated in microwave ovens since they may explode, even after microwave heating has ended.

30. The oven should be cleaned regularly and any food deposits removed.

31. Failure to maintain the oven in a clean condition could lead to deterioration of the surface that could adversely affect the life of the appliance and possibly result in a hazardous situation.

32. During use the appliance becomes hot. Care should be taken to avoid touching heating elements inside the oven.

33. **WARNING:** Accessible parts may become hot during use. Young children should be kept away.

34. Do not use harsh abrasive cleaners or sharp metal scrapers to clean the oven door glass since they can scratch the surface, which may result in shattering of the glass.

35. This appliance is not intended for use by persons (including children) with reduced physical, sensory or mental capabilities, or lack of experience and knowledge, unless they have been given supervision or instruction concerning use of the appliance by a person responsible for their safety.

36. Children should be supervised to ensure that they do not play with the appliance.

37. The appliances are not intended to be operated by means of an external timer or separate remote-control system.

38. The temperature of accessible surfaces may be high when the appliance is operating.



CAUTION: HOT SURFACE

PRECAUTIONS TO AVOID POSSIBLE EXPOSURE TO EXCESSIVE MICROWAVE ENERGY

(a) Do not attempt to operate this oven with the door open since open-door operation can result in harmful exposure to microwave energy. It is important not to defeat or tamper with the safety interlocks.

(b) Do not place any object between the oven front face and the door or allow soil or cleaner residue to accumulate on sealing surfaces.

(c) Do not operate the oven if it is damaged. It is particularly important that the oven door closes properly and that there is no damage to the: (1) door (bent), (2) hinges and latches (broken or loosened), (3) door seals and sealing surfaces.

(d) The oven should not be adjusted or repaired by anyone except properly qualified service personnel.

PRECAUTIONS TO BE OBSERVED BEFORE AND DURING SERVICING TO AVOID POSSIBLE EXPOSURE TO EXCESSIVE MICROWAVE ENERGY

(a) Do not operate or allow the oven to be operated with the door open.

(b) Make the following safety checks on all ovens to be serviced before activating the

magnetron or other microwave source, and make repairs as necessary: (1) interlock operation, (2) proper door closing, (3) seal and sealing surfaces (arcing, wear, and other damage), (4) damage to or loosening of hinges and latches, (5) evidence of dropping or abuse.

(c) Before turning on microwave power for any service test or inspection within the microwave generating compartments, check the magnetron, wave guide or transmission line, and cavity for proper alignment, integrity, and connection.

(d) Any defective or misadjusted components in the interlock, monitor, door seal, and microwave generation and transmission systems shall be repaired, replaced, or adjusted by procedures described in this manual before the oven is released to the owner.

(e) A microwave leakage check to verify compliance with the Federal Performance Standard should be performed on each oven prior to release to the owner.

GROUNDING INSTRUCTIONS

This appliance must be grounded. In the event of an electrical short circuit, grounding reduces the risk of electric shock by providing an escape wire for the electric current. This appliance is equipped with a cord having a grounding wire with a grounding plug. The plug must be plugged into an outlet that is properly installed and grounded.

WARNING – Improper use of the grounding can result in a risk of electric shock. Consult a qualified electrician or serviceman if the grounding instructions are not completely understood, or if doubt exists as to whether the appliance is properly grounded, and either:

- 1) If it is necessary to use an extension cord, use only a 3-wire extension cord that has a 3-blade grounding plug, and a 3-slot receptacle that will accept the plug on the appliance. The marked rating of the extension cord shall be equal to or greater than the electrical rating of the appliance.
- 2) Do not use an extension cord. If the power supply cord is too short, have a qualified electrician or serviceman install an outlet near the appliance.

INSTALLATION

1. Take out all the packing. If there is a safe film over the oven, tear it off before Use. Check carefully for damage. If any, immediately notify dealer or send to the manufacturer's service center.

2. Microwave ovens must be placed under dry and non-corrosiveness environments, kept away from heat and humidity, such as gas burner or water tank.

3. To ensure sufficient ventilation, the distance of the back of microwave to the wall should be at least 10 cm, the side to the wall should be at least 5 cm, the free distance above the top surface at least 20 cm. the distance of the microwave to the ground should be at least 85 cm.

4. The position of the oven shall be such that it is far from the TV, Radio or antenna as picture disturbance, or noise may occur.

5. The appliance must be positioned so that the plug is accessible, and must ensure a good grounding in case leakage, ground loop can be formed to avoid electric shock.
6. The microwave oven must be operated with the door closed.
7. The microwave oven shall not be placed in a cabinet.
8. The back of the oven must be placed against a wall.
9. As there is manufacturing residue or oil remained on the oven cavity or heat element, it usually would smell the odor, even a slight smoke, it is normal case and would not occur after several times use, keep the door or window open to ensure good ventilation. So it is strongly recommended to place a cup of water in the turntable, setting at high power and operate for several times.

CLEANING

MICROWAVE OVEN CARE

The oven should be cleaned regularly and any food deposits removed.



WARNING

1. It is hazardous for anyone other than a competent person to carry out any service or repair operation that involves the removal of a cover which gives protection against exposure to microwave energy.
2. Remove the power cord from the wall outlet before cleaning.
3. Failure to maintain the oven in a clean condition could lead to deterioration of the surface that could adversely affect the life of the appliance and possibly result in a hazardous situation.
4. The oven should be cleaned regularly and any food deposits removed.
5. Details for cleaning door seals, cavities and adjacent parts.
6. Never use hard detergent, gasoline, abrasive powder or metal brush to clean any part of the appliance.
7. Do not remove the waveguide cover.
8. When the microwave oven has been used for a long time, there may be some strange odors exist in oven, following 3 methods can get rid of them:
 - a) Place several lemon slices in a cup, then heat with high power for 2-3 min.
 - b) Place a cup of red tea in oven, then heat with high power.
 - c) Put some orange peel into oven, and then heat them with high power for 1 minute.

TIPS FOR CLEANING

Exterior:

Wipe the enclosure with a dampened soft cloth

Door:

Using a dampened soft cloth, wipe clean the door and window

Wipe the door seals and adjacent parts to remove any spill or spatter

Wipe the control panel with a slightly dampened soft cloth

Interior walls:

Wipe clean the interior surfaces with a dampened soft cloth

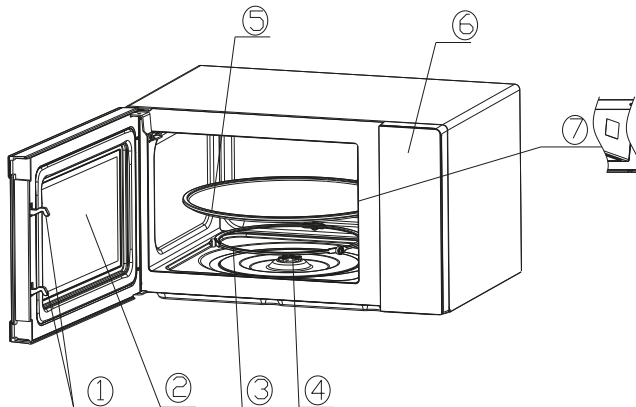
Wipe clean the waveguide cover to remove any food splashed

Turntable / Rotation ring / Rotation axis:

Wash with mild soap water

Rinse with clean water and allow drying thoroughly

PRODUCT INSTRUCTION

**1) Door lock**

Microwave oven door must be properly closed in order for it to operate.

2) Viewing window

Allow user to see the cooking status.

3) Rotating ring

The glass turntable sits on its wheels; it supports the turntable and helps it to balance when rotating.

4) Rotating axis

The glass turntable sits on the axis; the motor underneath it drives the turntable to rotate.

5) Turntable

The food sits on the turntable, its rotation during operation helps to cook food evenly.

**CAUTION**

- Place the rotating ring first .

- Fit the turntable onto the rotating axis and make sure that it is geared in properly.

6) Control panel

See below in details (the control panel is subject to change without prior notice).

7) Waveguide cover

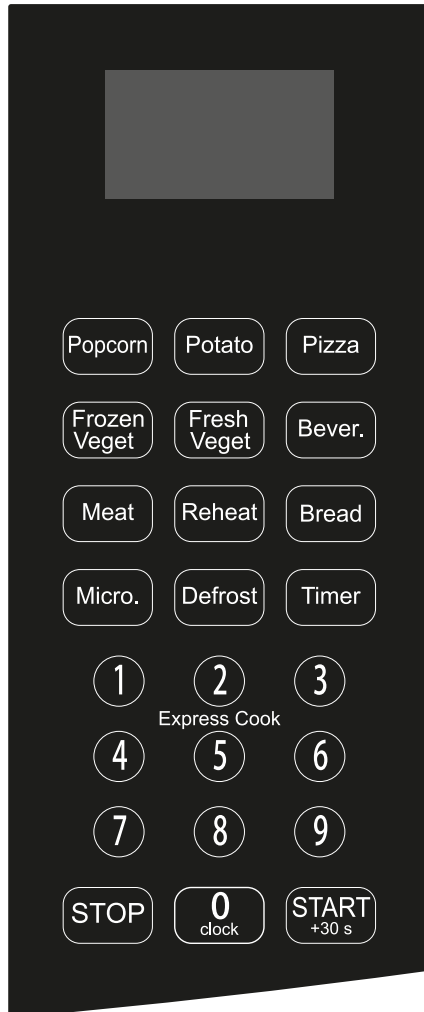
It is inside the microwave oven, next to the wall of control panel.



WARNING

Never remove the waveguide cover.

OPERATION OF CONTROL PANEL



1. BEFORE COOKING

The display lights up when plugged in power supply, then enter the standby state and display shows 1:00.

2. POWER FUNCTION

There are ten microwave power levels, 100P, 90P, 80P, 70P, 60P, 50P, 40P, 30P, 20P and 10P, respectively. Press the "Micro." button continuously and select the desired microwave power. Press 0~9 number buttons to input the cooking time, the maximum time that can be input is 99:99. After entering the cooking time, press "START/+30s" button to start work. An buzzing sound to notify completion of the operation.

HIGH	100% and 90% power output	(Applicable for quick and thorough cooking)
M.High	80% and 70% power output	(Applicable for medium express cooking)
Med	60% and 50% power output	(Applicable for steaming food)
M.Low	40% and 30% power output	(Applicable for defrosting food)
LOW	20% and 10% power output	(Applicable for keeping warm)



CAUTION

- The max time which can be set is 99 minutes and 99 seconds.
- Never use the grill rack during microwave cooking.
- Never operate the oven empty.
- At the maximum microwave power, the oven will automatically lower the power after a certain time of cooking to lengthen the service life.
- If you turn the food during operation, press the Start/+30s button once and the preset cooking procedure will continue.
- If you intend to remove the food before the present time, you must press Stop button once to clear the preset procedure to avoid unintended operation of next time use.

3. DEFROST

There are two defrost mode, dEF1 and dEF2, respectively. dEF1 for defrost by weight and dEF2 for defrost by time. Press "Defrost" button to select defrost by weight or by time, and the display screen corresponding displays "dEF1" or "dEF2". Press 0~9 number buttons to input the food weight or defrosting time. The weight range of dEF1 is from 4 to 50oz, and the maximum time that dEF2 can be entered is 99:99. After entering, press the "START/+30s" button start to work. An buzzing sound to notify completion of the operation. The dEF1

defrost mode by weight will have beeping sound to prompt the food to be turned over during defrosting.

Below is some food defrosting time advice:

dEF1	For defrosting, the weight range from 4 to 50oz.
dEF2	For defrosting, the maximum time is 99:99.



CAUTION

- a. It is necessary to turn over the food during operation to obtain uniform effect.
- b. Usually defrosting will need longer time than that of cooking the food.
- c. If the food can be cut by knife, the defrosting process can be considered completed.
- d. Microwave penetrates around 4cm into most food.
- e. Defrosted food should be consumed as soon as possible, it is not advised to put back to fridge and freeze again.

4. AUTO COOKING

There are eight automatic menus, popcorn, baked potato, pizza, frozen vegetable, fresh vegetable, beverage, meat and bread respectively. Select the desired auto menu button and press the corresponding menu button which to be selected continuously to select the desired food weight, and the display shows the corresponding weight. After selecting the cooking weight, press "START/+30s" button to start work. A buzzing sound to notify completion of the operation.

Display	Kind	Method
A.1	Popcorn	The optional weight is 3.5oz.
A.2	Baked Potato	The optional weights are 9oz, 18oz and 27oz.
A.3	Pizza	The optional weights are 7oz and 14oz.
A.4	Frozen vegetable	The optional weights are 7oz, 14oz and 21oz.
A.5	Fresh vegetable	The optional weights are 7oz, 14oz and 21oz.
A.6	Beverage	The optional weights are 1 cup, 2 cups or 3 cups, each one about 250ml.
A.7	Meat	The optional weights are 7oz, 14oz and 21oz.
A.8	Bread	The optional weights are 3.5oz, 7oz, 10.5oz, 14oz and 17.5oz.

CAUTION

- a. The temperature of food before cooking would be 20-25°C. Higher or lower temperature of the food before cooking would require increase or decrease of cooking time.
- b. The temperature, weight and shape of food will largely influence the cooking effect. If any deviation has been found to the factor noted on above menu, you can adjust the cooking time for best result.

5. TIMER

In standby mode, press this button to enter the setting interface, and the countdown function icon and "0:00" will be displayed on the display screen. Press the 0 ~ 9 number buttons to input the time. The maximum time that can be input is 99:99. After setting the time, press the "START/+30s" button to begins the countdown. A buzzing sound to notify completion of the countdown.

6. REHEAT

Reheat function is mainly to facilitate users to heat food according to the weight of food, press "Reheat" button continuously, select the appropriate weight of food, the weight range can be selected are 7oz, 14oz, 21oz, 28oz and 35oz. After selecting the weight, press "START/+30s" button to start work, an buzzing sound to notify completion of the operation.

7. EXPRESS COOK

7.1 In standby mode, you can directly press the 1~6 number buttons to start the microwave oven. The working time is 1~6 minutes, that is, press 1 to work for 1 minute, press 2 to work for 2 minutes, and so on. After selecting the time, press "START/+30s" button to start work, a buzzing sound to notify completion of the operation.

7.2 In standby mode, after putting food in and closing the door, press the "START/+30s" button to start the microwave quickly. The default working time is 30 seconds. In the working process, press the "START/+30s" button once for 30 seconds. An buzzing sound to notify completion of the operation.

8. 0/CLOCK

The clock function and "0" button are combined in one button. The clock is 12-hour system. The operation of the clock function is as follows:

In standby mode, press and hold down the "0/Clock" button for more than 3 seconds to enter the clock setting interface, press the 0 ~ 9 number buttons to input the clock time directly and input must be valid between 1:00~12~59. After pressing 4 number buttons consecutively, confirm the set time directly and exit the clock setting mode at the same time. If you do not press 4 times, you need to press the "START/+30s" button to confirm the set time and exit the clock setting mode at the same time.

9. STOP

In the process of cooking settings, can press "STOP" button to cancel the settings and return to standby state. In the process of microwave oven working, can press "STOP" button to pause. In the standby state, can press "STOP" button again to cancel the function and return to standby state.

10. START/+30s

After setting the cooking time or food weight, press "START/+30s" button to start microwave oven immediately. In working state, can press "START/+30s" button to increase time, press one time to increase 30 seconds, but the menu mode and weight defrosting mode cannot adjust time. In pause state, can press "START/+30s" button to continue the microwave oven before cooking mode.

11. CHILD LOCK FUNCTION

Use this feature to lock the control panel when you are cleaning or so that children cannot use the oven unsupervised. All the buttons are rendered inoperable in this mode.

- 1) Set lock: Press and hold down the STOP button for 3 seconds.
- 2) Cancel lock: Press and hold down the STOP button for 3 seconds.

12. THE OPERATION METHOD AND SETTING OF THE TWO-STEP DOOR OPENING FUNCTION

12.1 The operation method of two-step door opening.

In the operating state or after the operation is completed, the first step is to press the STOP button to pause or return to standby mode of the microwave. The second step is to open the oven door.

When not in operating condition or after 30 minutes of work, the oven door can be opened directly.

12.2 Setting of two-step door opening function.

In the standby mode of the microwave, press and hold down the STOP+START+POWER buttons to turn on/off this function, and the corresponding display will be "ON" or "OFF".



CAUTION

To enable this function, it is not possible to directly open the oven door during operation, and a two-step door opening operation is required.

Turn off this function, and you can directly open the oven door in any state.

After the product is powered on, it defaults to the two-step door opening function.

UTENSILS GUIDELINE

It is strongly recommended to use the containers which are suitable and safe for microwave cooking. The containers which are made of heat-resistant ceramic, glass or plastic are suitable for microwave cooking. Never use the metal containers for microwave cooking and combination cooking as spark is likely to occur. You can take the reference of below table.

Material of container	Microwave	Notes
Heat-resistant ceramic	Yes	Never use the ceramics which are decorated with metal rim or glazed
Heat-resistant plastic	Yes	Cannot be used for long time microwave cooking
Heat-resistant glass		
Grill rack	No	
Plastic film	Yes	It should not be used when cooking meat or chops as the over-temperature may do damage to the film

COOKING TIPS

The following factors may affect the cooking result:

Food arrangement

Place thicker areas towards outside of dish, the thinner part towards the center and spread it evenly. Do not overlap if possible.

Cooking time length

Start cooking with a short time setting, evaluate it after it times out and extend it according to the actual need. Over cooking may result in smoke and burns.

Cooking food evenly

Food such as chicken, hamburger or steak should be turned once during cooking. Depending on the type of food, if applicable, stir it from outside to center of dish once or twice during cooking

Allow standing time

After cooking times out, leave the food in the oven for an adequate length of time, this allows it to complete its cooking cycle and cooling it down in a gradual manner.

Whether the food is done

Color and hardness of food help to determine if it is done, these include:

- Steam coming out from all parts of food, not just the edge.
- Joints of poultry can be moved easily.
- Pork or poultry shows no signs of blood.
- Fish is opaque and can be sliced easily with a fork.

Browning dish

When using a browning dish or self-heating container, always place a heat-resistant insulator such as a porcelain plate under it to prevent damage to the turntable and rotating ring.

Microwave safe plastic wrap

When cooking food with high fat content, do not allow the plastic wrap to come into contact with food as it may melt.

Microwave safe plastic cookware

Some microwave safe plastic cookware might not be suitable for cooking foods with high fat and sugar content. Also, the preheating time specified in the dish instruction manual must not be exceeded.

MAINTENANCE

SERVICING

Please check the following before calling for services.

1. Place one cup of water (approx.150ml) in a glass measure in the oven and close the door securely. Oven lamp should go off if the door is closed properly. Let the oven work for 1 min.
2. Does the oven lamp light?
3. Does the cooling fan work?
(Put your hand over the rear ventilation openings.)
4. Does the turntable rotate?
(The turntable can rotate clockwise or counterclockwise. xc This is quite normal.)
5. Is the water inside the oven hot?

If "NO" is the answer to any of the above questions, please check your wall socket and the fuse in your meter box.

If both the wall socket and the fuse are functioning properly, CONTACT YOUR NEAREST SERVICE CENTER APPROVED.

SERVICING SAFEGUARDS

WARNING

MICROWAVE RADIATION !

It is hazardous for anyone, other than a qualified service technician, to carry out any service for repairing operation which involves removal of any cover which gives protection against exposure to microwave energy.

WARNING

The temperature of accessible surfaces may be high when the appliance is operating.



WARNING

The high voltage capacitor remains charge after disconnection; short the negative terminal of H. V capacitor to the oven chassis (use a screwdriver) to discharge before touching.



WARNING

During servicing below listed parts are liable to be removed and give access to potentials above 250V to earth.

1. Magnetron
2. High voltage transformer
3. High voltage capacitor
4. High voltage diode
5. High voltage fuse



WARNING

The following conditions may cause undue microwave exposure during servicing.

Improper fitting of magnetron.

Improper matching of door interlock, door hinge and door.

Improper fitting of switch support.

Door, door seal or enclosure has been damaged.

1. If LED displays Err0 during working, it indicates that sensor has been short circuit, and you need replace it at the nearest repaired department.
2. If LED displays Err1 during working, it indicates that sensor has been open circuit, and you need replace it at the nearest repaired department.



WARNING

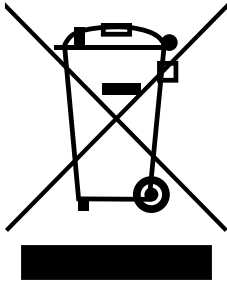
If the door or door seals are damaged, the oven must not be operated until it has been repaired by a competent person.

It is hazardous for anyone, other than a qualified service technician, to carry out any service for repairing operation which involves removal of any cover which gives protection against exposure to microwave energy.

Liquids or other foods must not be heated in sealed containers since they are liable to explode.

Only allow children to use the oven without supervision when adequate instructions have been given so that the child is able to use the oven in a safe way and understands the hazards of improper use.

Correct Disposal of this product



This marking indicates that this product should not be disposed of with other household wastes throughout the EU. To prevent possible harm to the environment or human health from uncontrolled waste disposal, recycle it responsibly to promote the sustainable reuse of material resources. To return your used device, please use the return and collection systems or contact the retailer where the product was purchased. They can take this product for environmentally safe recycling.

*Continental*TM
E L E C T R I C

20 LITROS DE
CAPACIDAD
MICROONDAS

Manual de Usuario

CE-CMC779US-TH



**POR FAVOR LEA CUIDADOSAMENTE
Y GUARDE ESTAS INSTRUCCIONES**

INSTRUCCIONES IMPORTANTES

Al utilizar electrodomésticos, se deben seguir precauciones básicas de seguridad, incluyendo las siguientes:

ADVERTENCIA: Para reducir el riesgo de quemaduras, choque eléctrico, incendio, lesiones personales o exposición a una energía de microondas excesiva:

1. Lea todas las instrucciones antes de utilizar el electrodoméstico.
2. Lea y siga las "PRECAUCIONES PARA EVITAR LA POSIBLE EXPOSICIÓN A UNA ENERGÍA DE MICROONDAS EXCESIVA" que se encuentran en la página 8.
3. Este electrodoméstico debe estar conectado a una conexión con polo a tierra. Conéctelo únicamente a una conexión con polo a tierra. Consulte las "INSTRUCCIONES DE POLO A TIERRA" que se encuentran en la página 9.
4. Instale o ubique este electrodoméstico únicamente de acuerdo con las instrucciones de instalación proporcionadas.
5. Algunos productos, como huevos enteros y recipientes sellados, por ejemplo, frascos de vidrio cerrados, pueden explotar y no deben calentarse en este horno.
6. Utilice este electrodoméstico únicamente para el uso previsto según se describe en el manual. No utilice productos químicos corrosivos o vapores en este electrodoméstico. Este tipo de horno está diseñado específicamente para calentar, cocinar o secar alimentos. No está diseñado para uso industrial o de laboratorio.
7. Como con cualquier electrodoméstico, se requiere supervisión cercana cuando lo utilicen niños.
8. No opere este electrodoméstico si el cordón o enchufe dañado, si no funciona correctamente o si ha sido dañado.
9. Este electrodoméstico solo debe ser reparado por personal de servicio calificado. Póngase en contacto con el centro de servicio autorizado más cercano para examinarlo, repararlo o ajustarlo.
10. No cubra ni bloquee ninguna abertura en el electrodoméstico.
11. No guarde este electrodoméstico en exteriores. No utilice este producto cerca del agua, por ejemplo, cerca de un fregadero de cocina, en un sótano húmedo, cerca de una piscina o en lugares similares.
12. No sumerja el cordón o enchufe en agua.
13. Mantenga el cordón alejado de superficies calientes.
14. No deje que el cordón cuelgue sobre el borde de la mesa.
15. Al limpiar las superficies de la puerta y el horno que se juntan al cerrar la puerta, utilice únicamente jabones suaves, no abrasivos, o detergentes aplicados con una esponja o paño suave.

16. Para reducir el riesgo de incendio en la cavidad del horno:

- a. No cocine en exceso los alimentos. Preste atención al electrodoméstico cuando se coloquen materiales inflamables como papel, plástico u otros materiales combustibles dentro del horno para facilitar la cocción.

- b. Retire las ataduras de alambre de papel o bolsas de plástico antes de colocar la bolsa en el horno.
- c. Si los materiales dentro del horno se inflan, mantenga la puerta del horno cerrada, apague el horno y desconecte el cable de alimentación o apague la corriente en el panel de fusibles o el interruptor del circuito.
- d. No utilice el horno para fines de almacenamiento. No deje productos de papel, utensilios de cocina o alimentos en el horno cuando no esté en uso.

17. Los líquidos, como agua, café o té, pueden calentarse más allá del punto de ebullición sin que aparenten estar hirviendo. No siempre hay burbujeo o ebullición visible cuando se saca el recipiente del horno de microondas.

ESTO PODRÍA RESULTAR EN LÍQUIDOS MUY CALIENTES QUE SE DESBORDEN REPENTINAMENTE CUANDO SE MOLESTE EL CONTENEDOR O SE INSERTA UN UTENSILIO EN EL LÍQUIDO.

18. Aviso para el uso de un cable de extensión:

- a. Se proporciona un cordón de alimentación corto para reducir los riesgos de enredarse o tropezar con un cordón más largo.
- b. Se pueden utilizar juegos de cables más largos o cables de extensión y se pueden usar si se tiene cuidado en su uso.
- c. Si se utiliza un cable largo o un cable de extensión:
 - 1) La clasificación de cables o del cable de extensión debe ser al menos igual que la clasificación eléctrica del electrodoméstico.
 - 2) El cable de extensión debe ser un cable de tres hilos con conexión con polo a tierra; y
 - 3) El cable más largo debe colocarse de manera que no cuelgue sobre la encimera o la mesa donde pueda ser halado por niños o tropezado accidentalmente.

Se deben seguir siempre las siguientes precauciones básicas al usar electrodomésticos eléctricos:

- 1. Leer todas las instrucciones antes de usar.
- 2. Asegurarse de que el voltaje en su área de residencia corresponda al que se muestra en la etiqueta de clasificación del electrodoméstico. Y que el enchufe de pared esté correctamente conectado a tierra.

3. Para reducir el riesgo de incendio en el interior del horno:

- a. No sobrecocinar los alimentos.
- b. Retirar las ataduras de alambre de las bolsas de papel o plástico antes de colocarlas en el horno.
- c. No calentar aceite o grasa para freír, ya que la temperatura del aceite no se puede controlar.
- d. Después de usar, limpie la cubierta del microondas con un paño húmedo, y seque con un paño seco para eliminar salpicaduras de alimentos y grasa. La acumulación de grasa puede sobrecalentarse y comenzar a producir humo o incendiarse.
- e. Si los materiales dentro del horno generan humo o se encienden, mantener la puerta del horno cerrada, apagar el horno y desconectar la fuente de alimentación.
- f. Se requiere supervisión cercana al usar recipientes desechables hechos de plástico, papel u otro material combustible.

4. Para reducir el riesgo de explosión y hervor repentino:

- a. No colocar recipientes sellados en el horno. Los biberones con tapa de rosca o tetina son recipientes sellados.
- b. Cuando hierva líquidos en el horno, utilice un recipiente de boca ancha y deje reposar unos 20 segundos al finalizar la cocción para evitar que el líquido hierva de manera explosiva con retraso.
- c. Las papas, salchichas y castañas deben pelarse o pincharse antes de cocinarlas. Los huevos con cáscara, los huevos duros enteros no deben calentarse en hornos de microondas, ya que pueden explotar, incluso después de que hayan terminado de calentarse en el microondas.
- d. El líquido caliente no debe sacarse inmediatamente. Se debe esperar un momento antes de retirarlo para evitar posibles peligros.
- e. Se debe revolver o agitar el contenido de biberones y tarros de alimentos para bebés y verificar la temperatura antes de consumirlos, para evitar quemaduras.

5. Nunca operar el horno si la puerta o los sellos de la puerta están dañados o el horno está funcionando mal, o si el cordón de suministro está dañado. Devolver el electrodoméstico al centro de servicio autorizado más cercano para su reparación y mantenimiento. Nunca intentar ajustar o reparar el horno por cuenta propia.

6. Si el cordón de suministro está dañado, debe ser reemplazado por el fabricante o su agente de servicio o un técnico calificado para evitar riesgos de descarga eléctrica.

7. Después de cocinar, el recipiente está muy caliente. Usar guantes para sacar la comida y evitar quemaduras de vapor dirigiendo el vapor lejos del rostro y las manos.

8. Levante lentamente el borde más alejado de las tapas de los platos. Abra con cuidado las bolsas de palomitas y las bolsas para cocinar en el horno, alejándolas del rostro.

9. Para prevenir que la bandeja giratoria se rompa:

- a. Dejar que la bandeja giratoria se enfríe antes de limpiarla.
- b. No colocar alimentos o utensilios calientes en la bandeja giratoria fría.
- c. No colocar alimentos o utensilios congelados en la bandeja giratoria caliente.

10. Asegúrese de que los utensilios no toquen las paredes interiores durante la cocción.

11. La falta de mantenimiento del horno en condiciones de limpieza podría llevar a la deterioración de la superficie, lo que podría afectar adversamente la vida útil del electrodoméstico y posiblemente resultar en una situación peligrosa.

12. Solo debe usar utensilios adecuados para microondas.

13. No almacenar alimentos ni ningún otro objeto dentro del horno.

14. No operar el horno sin líquido o comida en su interior. Esto podría dañar el horno.

15. Este electrodoméstico no está destinado para ser utilizado por niños pequeños o personas enfermas sin supervisión.

16. Los niños solo deben usar el horno bajo supervisión de un adulto debido a las altas temperaturas generadas.

17. Cualquier accesorio no recomendado por el fabricante puede causar lesiones a las personas.

18. No utilizar al aire libre.

19. Guardar estas instrucciones.

20. **ADVERTENCIA:** Si la puerta o los sellos de la puerta están dañados, el horno no debe ser operado hasta que haya sido reparado por una persona competente.
21. **ADVERTENCIA:** Es peligroso que cualquier persona que no sea competente realice cualquier operación de servicio o reparación que implique la remoción de una cubierta que protege contra la exposición a la energía de microondas.
22. **ADVERTENCIA:** Los líquidos y otros alimentos no deben calentarse en contenedores sellados, ya que pueden explotar.
23. **ADVERTENCIA:** Solo permitir que los niños usen el horno sin supervisión cuando se hayan dado instrucciones adecuadas para que el niño pueda usar el horno de manera segura y comprenda los peligros de un uso indebido.
24. Solo usar utensilios adecuados para microondas.
25. Al calentar alimentos en recipientes de plástico o papel, vigilar el horno debido a la posibilidad de ignición.
26. Si se observa humo, apagar o desenchufar el electrodoméstico y mantener la puerta cerrada para sofocar cualquier llama.
27. El calentamiento de bebidas en el microondas puede resultar en ebullición eruptiva retardada; por lo tanto, se debe tener cuidado al manipular el recipiente.
28. Los contenidos de biberones y frascos de comida para bebés deben ser agitados y la temperatura verificada antes del consumo, para evitar quemaduras.
29. Los huevos con cáscara y los huevos duros enteros no deben ser calentados en hornos de microondas, ya que pueden explotar, incluso después de que haya terminado el calentamiento en microondas.
30. El horno debe limpiarse regularmente y retirar cualquier residuo de comida.
31. La falta de mantenimiento del horno en condiciones de limpieza adecuadas podría llevar al deterioro de la superficie, lo que podría afectar negativamente la vida útil del electrodoméstico y posiblemente resultar en una situación peligrosa.
32. Durante el uso, el electrodoméstico se calienta. Se debe tener cuidado de no tocar los elementos calefactores dentro del horno.
33. **ADVERTENCIA:** Las partes accesibles pueden calentarse durante el uso. Los niños pequeños deben mantenerse alejados.
34. No utilizar limpiadores abrasivos o raspadores de metal afilados para limpiar el cristal de la puerta del horno, ya que pueden rayar la superficie, lo que podría provocar la rotura del vidrio.
35. Este electrodoméstico no está destinado para ser utilizado por personas (incluidos niños) con capacidades físicas, sensoriales o mentales reducidas, o falta de experiencia y conocimiento, a menos que se les haya proporcionado supervisión o instrucciones sobre el uso del electrodoméstico por una persona responsable de su seguridad.
36. Los niños deben ser supervisados para asegurar que no jueguen con el electrodoméstico.
37. Los electrodomésticos no están destinados a ser operados mediante un temporizador externo o un sistema de control remoto separado.
38. La temperatura de las superficies accesibles puede ser alta cuando el electrodoméstico está en funcionamiento.



¡PRECAUCIÓN: SUPERFICIE CALIENTE!

PRECAUCIONES PARA EVITAR LA POSIBLE EXPOSICIÓN A UNA EXCESIVA ENERGÍA DE MICROONDAS

- (a) No intente operar este horno con la puerta abierta, ya que la operación con la puerta abierta puede resultar en una exposición perjudicial a la energía de microondas. Es importante no anular o manipular los dispositivos de seguridad.
- (b) No coloque ningún objeto entre la parte frontal del horno y la puerta, ni permita que se acumule suciedad o residuos de limpiadores en las superficies de sellado.
- (c) No opere el horno si está dañado. Es especialmente importante que la puerta del horno cierre correctamente y que no haya daños en: (1) la puerta (doblada), (2) las bisagras y pestillos (rotos o sueltos), (3) los sellos de la puerta y las superficies de sellado.
- (d) El horno no debe ser ajustado o reparado por nadie excepto el personal de servicio debidamente calificado.

PRECAUCIONES A OBSERVAR ANTES Y DURANTE EL SERVICIO PARA EVITAR POSIBLE EXPOSICIÓN A EXCESIVA ENERGÍA DE MICROONDAS

- (a) No opere ni permita que el horno sea operado con la puerta abierta.
- (b) Realice las siguientes verificaciones de seguridad en todos los hornos que se vayan a reparar antes de activar el magnetrón u otra fuente de microondas y realice las reparaciones necesarias: (1) funcionamiento del dispositivo de interbloqueo, (2) cierre adecuado de la puerta, (3) sellado y superficies de sellado (chispas, desgaste y otros daños), (4) daños o aflojamiento de bisagras y pestillos, (5) evidencia de caídas o maltrato.
- (c) Antes de encender la energía de microondas para cualquier prueba o inspección de servicio dentro de los compartimentos generadores de microondas, verifique el magnetrón, la guía de ondas o la línea de transmisión y la cavidad para asegurar su alineación, integridad y conexión adecuadas.
- (d) Cualquier componente defectuoso o mal ajustado en los sistemas de interbloqueo, monitorización, sellado de la puerta y generación y transmisión de microondas deberá ser reparado, reemplazado o ajustado según los procedimientos descritos en este manual antes de que el horno sea entregado al propietario.
- (e) Se debe realizar una verificación de fuga de microondas para verificar el cumplimiento con el Estándar de Rendimiento Federal en cada horno antes de ser entregado al propietario.

INSTRUCCIONES DE CONEXIÓN A TIERRA

Este electrodoméstico debe estar conectado a tierra. En caso de un cortocircuito eléctrico, la puesta a tierra reduce el riesgo de descarga eléctrica al proporcionar un cable de escape para la corriente eléctrica. Este electrodoméstico está equipado con un cable que tiene un alambre de puesta a tierra con un enchufe de conexión a tierra. El enchufe debe ser insertado en un tomacorriente que esté instalado y conectado a tierra correctamente.

ADVERTENCIA: El uso incorrecto de la puesta a tierra puede resultar en un riesgo de descarga eléctrica. Consulte a un electricista calificado o a un técnico de servicio si las instrucciones de puesta a tierra no se comprenden completamente, o si existe alguna duda sobre si el electrodoméstico está correctamente conectado a tierra, y ya sea:

Si es necesario utilizar un cable de extensión, utilice solo un cable de extensión de 3 cables que tenga un enchufe de conexión a tierra de 3 hojas, y un receptáculo de 3 ranuras que aceptará el enchufe del electrodoméstico. La clasificación marcada del cable de extensión debe ser igual o mayor que la clasificación eléctrica del electrodoméstico, o

No utilice un cable de extensión. Si el cable de alimentación es demasiado corto, haga que un electricista calificado o un técnico de servicio instale un tomacorriente cerca del electrodoméstico.

GUÍA DE INSTALACIÓN

1. Retire todo el embalaje. Si hay una película protectora sobre el horno, retírela antes de usarlo. Verifique cuidadosamente si hay daños. Si los hay, notifique inmediatamente al distribuidor o envíelo al centro de servicio del fabricante.
2. Los hornos de microondas deben colocarse en ambientes secos y no corrosivos, alejados del calor y la humedad, como cerca de quemadores de gas o tanques de agua.
3. Para garantizar una ventilación suficiente, la distancia desde la parte posterior del microondas hasta la pared debe ser de al menos 10 cm, desde el lateral hasta la pared debe ser de al menos 5 cm, la distancia libre sobre la superficie superior debe ser de al menos 20 cm y la distancia desde el microondas hasta el suelo debe ser de al menos 85 cm.
4. La posición del horno debe estar lejos del televisor, radio o antena, ya que pueden producirse interferencias en la imagen o ruido.
5. El electrodoméstico debe posicionarse de manera que el enchufe sea accesible y se asegure una buena puesta a tierra en caso de fugas, para evitar una descarga eléctrica.
6. El horno de microondas debe operarse con la puerta cerrada.
7. El horno de microondas no debe colocarse dentro de un gabinete.
8. La parte posterior del horno debe colocarse contra una pared.
9. Debido a que puede quedar residuo de fabricación u aceite en la cavidad del horno o en el elemento calefactor, puede haber olor o incluso un ligero humo. Esto es normal y no ocurrirá después de varios usos. Mantenga la puerta o ventana abierta para garantizar una buena ventilación. Por lo tanto, se recomienda encarecidamente colocar una taza de agua en el plato giratorio, configurarla a alta potencia y operarla varias veces.

LIMPIEZA

CUIDADO DEL HORNO DE MICROONDAS

El horno debe limpiarse regularmente y retirar cualquier residuo de alimentos.



ADVERTENCIA

Es peligroso que cualquier persona que no sea competente realice cualquier operación de servicio o reparación que implique la remoción de una cubierta que protege contra la exposición a la energía de microondas.

Desconecte el cable de alimentación del tomacorriente antes de limpiar.

La falta de mantenimiento del horno en condiciones de limpieza adecuadas podría llevar a la deterioración de la superficie, lo que podría afectar negativamente la vida útil del electrodoméstico y posiblemente resultar en una situación peligrosa.

El horno debe limpiarse regularmente y retirar cualquier residuo de alimentos.

Detalles para limpiar los sellos de la puerta, cavidades y partes adyacentes.

Nunca use detergentes fuertes, gasolina, polvo abrasivo o cepillos de metal para limpiar ninguna parte del electrodoméstico.

No retire la cubierta de la guía de ondas.

Cuando el horno de microondas ha sido usado durante mucho tiempo, pueden existir algunos olores extraños en el horno. Los siguientes métodos pueden eliminarlos:

- a) Coloque varias rodajas de limón en una taza y luego caliente con alta potencia durante 2-3 minutos.
- b) Coloque una taza de té rojo en el horno y luego caliente con alta potencia.
- c) Coloque un poco de cáscara de naranja en el horno y luego caliente con alta potencia durante 1 minuto.

CONSEJOS PARA LA LIMPIEZA

Exterior:

Limpiar la carcasa con un paño suave humedecido.

Puerta:

Usando un paño suave humedecido, limpie la puerta y la ventana.

Limpiar los sellos de la puerta y las partes adyacentes para eliminar cualquier derrame o salpicadura.

Limpiar el panel de control con un paño suave ligeramente humedecido.

Paredes interiores:

Limpiar las superficies interiores con un paño suave humedecido.

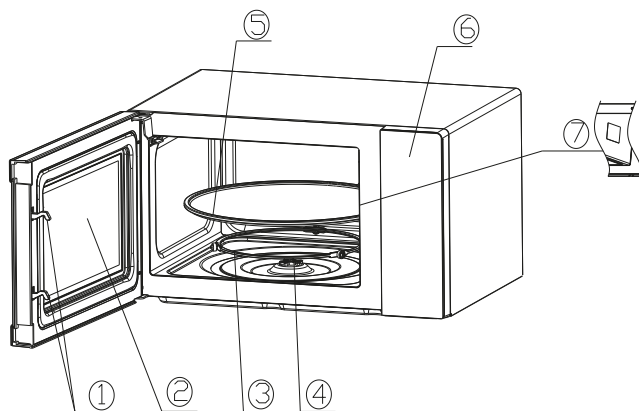
Limpiar la cubierta de la guía de ondas para eliminar cualquier salpicadura de comida.

Plato giratorio / Anillo de rotación / Eje de rotación:

Lavar con agua y jabón suave.

Enjuagar con agua limpia y permitir que se seque completamente.

INSTRUCCIONES DEL PRODUCTO



1) Cerradura de la puerta

La puerta del horno de microondas debe cerrarse correctamente para que funcione.

2) Ventana de visualización

Permite al usuario ver el estado de cocción.

3) Anillo giratorio

El plato giratorio de vidrio se apoya en sus ruedas; sostiene el plato giratorio y ayuda a equilibrarlo al rotar.

4) Eje giratorio

El plato giratorio de vidrio se apoya en el eje; el motor debajo de él impulsa el giro del plato giratorio.

5) Plato giratorio

Los alimentos se colocan en el plato giratorio, su rotación durante el funcionamiento ayuda a cocinar los alimentos de manera uniforme.

PRECAUCIÓN

Coloque primero el anillo giratorio:

Coloque el plato giratorio en el eje giratorio y asegúrese de que esté enganchado correctamente.

6) Panel de control:

Ver detalles a continuación (el panel de control está sujeto a cambios sin previo aviso).

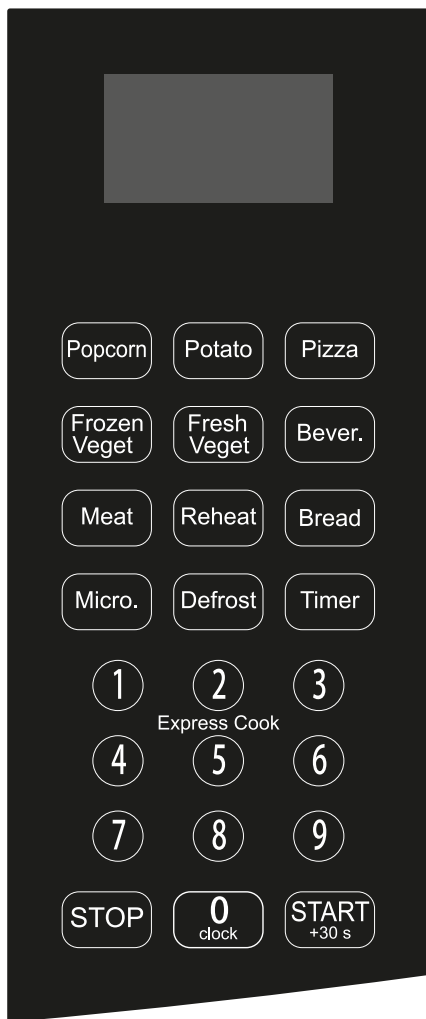
7) Cubierta de la guía de ondas:

Se encuentra dentro del horno de microondas, junto a la pared del panel de control.

ADVERTENCIA

Nunca retire la cubierta de la guía de ondas.

OPERACIÓN DEL PANEL DE CONTROL



1. ANTES DE COCINAR

La pantalla se ilumina cuando se conecta a la fuente de alimentación, luego entra en estado de espera y muestra 1:00.

2. FUNCIÓN DE POTENCIA

Existen diez niveles de potencia de microondas, 100P, 90P, 80P, 70P, 60P, 50P, 40P, 30P, 20P y 10P, respectivamente. Presione continuamente el

botón "Micro." y seleccione la potencia de microondas deseada. Presione los botones numéricos del 0 al 9 para introducir el tiempo de cocción, el tiempo máximo que se puede introducir es de 99:99. Después de ingresar el tiempo de cocción, presione el botón "START/+30s" para comenzar el trabajo. Un sonido de zumbido notificará la finalización de la operación.

ALTO	Salida de potencia al 100% y al 90%	(Aplicable para cocinar rápido y completo)
Med/ ALTO	Salida de potencia al 80% y al 70%	(Aplicable para cocinar de forma rápida y media)
Med	Salida de potencia al 60% y al 50%	(Aplicable para cocinar al vapor)
Med/ BAJO	Salida de potencia al 40% y al 30%	(Aplicable para descongelar alimentos)
BAJO	Salida de potencia al 20% y al 10%	(Aplicable para mantener caliente)



PRECAUCIÓN

- El tiempo máximo que se puede establecer es de 99 minutos y 99 segundos.
- Nunca use la rejilla del grill durante la cocción en el microondas.
- Nunca opere el horno vacío.
- A la máxima potencia de microondas, el horno reducirá automáticamente la potencia después de cierto tiempo de cocción para prolongar la vida útil.
- Si gira los alimentos durante el funcionamiento, presione el botón Inicio/+30s una vez y el procedimiento de cocción preestablecido continuará.
- Si planea retirar los alimentos antes del tiempo establecido, debe presionar el botón de Parada una vez para borrar el procedimiento preestablecido y evitar una operación no deseada en el próximo uso.

3. DESCONGELAR

Hay dos modos de descongelación, dEF1 y dEF2, respectivamente. dEF1 para descongelar por peso y dEF2 para descongelar por tiempo. Presione el botón "Descongelar" para seleccionar la descongelación por peso o por tiempo, y la pantalla correspondiente mostrará "dEF1" o "dEF2". Presione los botones numéricos del 0 al 9 para ingresar el peso de los alimentos o el tiempo de descongelación. El rango de peso de dEF1 es de 4 a 50 onzas, y el tiempo máximo que se puede ingresar en dEF2 es de 99:99. Después de ingresar, presione el botón "INICIO/+30s" para comenzar a funcionar. Un sonido de zumbido notificará la finalización de la operación. El modo de descongelación dEF1 por peso emitirá un sonido de pitido para indicar que se deben voltear los alimentos durante la descongelación. A continuación se ofrece un consejo sobre el tiempo de descongelación de algunos alimentos:

dEF1	Para descongelar, el rango de peso va de 4 a 50 onzas.
dEF2	Para descongelar, el tiempo máximo es de 99 minutos y 99 segundos.



PRECAUCIÓN

- Es necesario voltear los alimentos durante el funcionamiento para obtener un efecto uniforme.
- Por lo general, la descongelación necesitará más tiempo que cocinar los alimentos.
- Si los alimentos pueden ser cortados con un cuchillo, el proceso de descongelación se puede considerar completo.
- Las microondas penetran alrededor de 4 cm en la mayoría de los alimentos.
- Los alimentos descongelados deben consumirse lo antes posible, no se recomienda volver a ponerlos en el refrigerador y congelarlos nuevamente.

4. COCCIÓN AUTOMÁTICA

Existen ocho menús automáticos: palomitas de maíz, papa al horno, pizza, vegetales congelados, vegetales frescos, bebida, carne y pan, respectivamente. Seleccione el botón del menú automático deseado y presione continuamente el botón de menú correspondiente que se seleccionará para seleccionar el peso deseado de los alimentos, y la pantalla mostrará el peso correspondiente. Después de seleccionar el peso de cocción, presione el botón "START/+30s" para comenzar a funcionar. Un sonido de zumbido notificará la finalización de la operación.

Pantalla	Tipo Alimento	Método
A.1	Palomitas de maíz	El peso opcional es 3.5oz.
A.2	Papa al horno	Los pesos opcionales son 9 oz, 18 oz y 27 oz
A.3	Pizza	Los pesos opcionales son 7oz y 14oz.
A.4	Vegetales congelados	Los pesos opcionales son 7oz, 14oz y 21oz.
A.5	Vegetales frescos	Los pesos opcionales son 7oz, 14oz y 21oz.
A.6	Bebidas	Los pesos opcionales son 1 taza, 2 tazas o 3 tazas, cada una aproximadamente 250 ml.
A.7	Carne	Los pesos opcionales son 7oz, 14oz y 21oz.
A.8	Pan	Los pesos opcionales son 3.5oz, 7oz, 10.5oz, 14oz y 17.5oz.



PRECAUCIÓN

- a. La temperatura de los alimentos antes de cocinar debería ser de 20-25°C. Una temperatura más alta o más baja requerirá aumentar o disminuir el tiempo de cocción.
- b. La temperatura, el peso y la forma de los alimentos influirán en gran medida en el efecto de cocción. Si encuentra alguna desviación con respecto al factor señalado en el menú anterior, puede ajustar el tiempo de cocción para obtener el mejor resultado.

5. TEMPORIZADOR

En modo de espera, presione este botón para ingresar a la interfaz de configuración. El ícono de función de cuenta regresiva y "0:00" se mostrarán en la pantalla. Presione los botones numéricos del 0 al 9 para ingresar el tiempo. El tiempo máximo que se puede ingresar es de 99:99. Después de establecer el tiempo, presione el botón "START/+30s" para iniciar la cuenta regresiva. Un sonido de zumbido notificará la finalización de la cuenta regresiva.

6. RECALENTAR

La función de recalentamiento facilita a los usuarios calentar alimentos según el peso de los mismos. Presione el botón "Reheat" repetidamente para seleccionar el peso apropiado de los alimentos. Los rangos de peso que se pueden seleccionar son 200 g, 400 g, 600 g, 800 g y 1 kg (equivalentes a 7 oz, 14 oz, 21 oz, 28 oz y 35 oz). Después de seleccionar el peso, presione el botón "START/+30s" para comenzar. Un sonido de zumbido notificará la finalización de la operación.

7. COCINADO RÁPIDO

7.1 En modo de espera, puede presionar directamente los botones numéricos del 1 al 6 para iniciar el horno de microondas. El tiempo de funcionamiento es de 1 a 6 minutos, es decir, presione 1 para trabajar durante 1 minuto, presione 2 para trabajar durante 2 minutos, y así sucesivamente. Después de seleccionar el tiempo, presione el botón "START/+30s" para comenzar a trabajar. Un sonido de zumbido notificará la finalización de la operación.

7.2 En modo de espera, después de colocar los alimentos y cerrar la puerta, presione el botón "START/+30s" para iniciar rápidamente el horno de microondas. El tiempo de funcionamiento predeterminado es de 30 segundos. Durante el proceso de trabajo, presione el botón "START/+30s" una vez para agregar 30 segundos. Un sonido de zumbido notificará la finalización de la operación.

8. RELOJO

La función de reloj y el botón "0" están combinados en un solo botón. El reloj es un sistema de 12 horas. La operación de la función de reloj es la siguiente:

En modo de espera, presione y mantenga presionado el botón "0/Clock" durante más de 3 segundos para ingresar a la interfaz de configuración del reloj. Presione los botones numéricos del 0 al 9 para ingresar directamente la hora del reloj; la entrada debe ser válida entre 1:00 y 12:59. Después de presionar 4 botones numéricos consecutivos, confirme la hora establecida directamente y saldrá del modo de configuración del reloj al mismo

tiempo. Si no presiona 4 veces, debe presionar el botón "START/+30s" para confirmar la hora establecida y salir del modo de configuración del reloj.

9. FUNCIÓN STOP

Durante el proceso de configuración de cocción, puede presionar el botón "STOP" para cancelar la configuración y volver al modo de espera. Durante el proceso de funcionamiento del horno de microondas, puede presionar el botón "STOP" para pausar. En el modo de espera, puede presionar nuevamente el botón "STOP" para cancelar la función y volver al modo de espera.

10. START/+30s

Después de establecer el tiempo de cocción o el peso de los alimentos, presione el botón "START/+30s" para iniciar el horno de microondas de inmediato. En estado de funcionamiento, puede presionar el botón "START/+30s" para aumentar el tiempo; presione una vez para agregar 30 segundos. Sin embargo, el modo de menú y el modo de descongelación por peso no pueden ajustar el tiempo. En estado de pausa, puede presionar el botón "START/+30s" para continuar con el horno de microondas antes del modo de cocción.

11. FUNCIÓN DE BLOQUEO PARA NIÑOS

Utilice esta función para bloquear el panel de control cuando esté limpiando o para que los niños no puedan usar el horno sin supervisión. Todos los botones serán inoperables en este modo.

Activar bloqueo: Mantenga presionado el botón STOP durante 3 segundos.

Desactivar bloqueo: Mantenga presionado el botón STOP durante 3 segundos.

MÉTODO DE OPERACIÓN Y CONFIGURACIÓN DE LA FUNCIÓN DE APERTURA DE PUERTA DE DOS PASOS

12.1 Método de operación de la apertura de puerta de dos pasos.

En estado de funcionamiento o después de completar la operación, el primer paso es presionar el botón STOP para pausar o regresar al modo de espera del horno de microondas. El segundo paso es abrir la puerta del horno.

Cuando el horno no esté en funcionamiento o después de 30 minutos de trabajo, la puerta se puede abrir directamente.

12.2 Configuración de la función de apertura de puerta de dos pasos.

En el modo de espera del horno de microondas, presione y mantenga presionados los botones "STOP + START + POWER" para activar o desactivar esta función. La pantalla correspondiente mostrará "ON" u "OFF".



PRECAUCIÓN

Para habilitar esta función, no es posible abrir directamente la puerta del horno durante la operación, y se requiere una operación de apertura de puerta de dos pasos.

Para desactivar esta función, puedes abrir directamente la puerta del horno en cualquier estado.

Después de que el producto se encienda, la función de apertura de puerta de dos pasos es la configuración predeterminada.

GUÍA DE UTENSILIOS

Se recomienda encarecidamente utilizar recipientes adecuados y seguros para cocinar en el microondas. Los recipientes hechos de cerámica resistente al calor, vidrio o plástico son adecuados. Nunca utilice recipientes metálicos para cocinar en el microondas ni para cocinar en combinación, ya que podrían causar chispas. Puede consultar la tabla a continuación para obtener más información.

Material del contenedor	Microondas	Notas
Cerámica resistente al calor	Sí	Nunca utilice cerámicas que estén decoradas con borde de metal o esmaltadas
Plástico resistente al calor	Sí	No se deben utilizar para cocinar en el microondas durante largos períodos de tiempo.
Vidrio resistente al calor		
Rejilla para parrilla	No	
Película de plástico	Sí	No debe utilizarse al cocinar carne o chuletas, ya que la temperatura excesiva puede dañar la película.

CONSEJOS DE COCCIÓN

Los siguientes factores pueden afectar el resultado de la cocción:

Distribución de los alimentos:

Coloque las áreas más gruesas hacia el borde del plato y las partes más delgadas hacia el centro, distribuyéndolas de manera uniforme. Evite superponerlas si es posible.

Duración del tiempo de cocción:

Comience la cocción con un tiempo corto y evalúela después de que termine, aumentándolo según sea necesario. La sobrecocción puede provocar humo y quemaduras.

Cocción uniforme de los alimentos:

Algunos alimentos, como el pollo, la hamburguesa o el filete, deben voltearse una vez durante la cocción. Dependiendo del tipo de alimento, si es aplicable, revuélvalos de afuera hacia adentro del plato una o dos veces durante la cocción.

Tiempo de reposo:

Después de que el tiempo de cocción haya terminado, deje los alimentos en el horno durante un tiempo adecuado. Esto permite que completen su ciclo de cocción y se enfríen de manera gradual.

Determinación de si los alimentos están cocidos:

El color y la dureza de los alimentos ayudan a determinar si están cocidos. Estos incluyen:

- Vapor saliendo de todas las partes del alimento, no solo del borde.
- Las articulaciones de las aves se pueden mover fácilmente.
- La carne de cerdo o aves no muestra signos de sangre.
- El pescado es opaco y se puede cortar fácilmente con un tenedor.

Plato para calentar:

Cuando use un plato para calentar o un recipiente autocalentable, siempre coloque un aislante resistente al calor, como un plato de porcelana, debajo para evitar dañar el plato giratorio y el anillo giratorio.

Envoltura de plástico apta para microondas:

Al cocinar alimentos con alto contenido de grasa, no permita que la envoltura de plástico entre en contacto con los alimentos, ya que podría derretirse.

Utensilios de cocina de plástico aptos para microondas:

Algunos utensilios de cocina de plástico aptos para microondas podrían no ser adecuados para cocinar alimentos con alto contenido de grasa y azúcar. Además, no se debe exceder el tiempo de precalentamiento especificado en el manual de instrucciones del utensilio.

MANTENIMIENTO

Por favor, verifique lo siguiente antes de llamar para solicitar servicio:

Coloque una taza de agua (aproximadamente 150 ml) en un recipiente de vidrio dentro del horno y cierre la puerta de manera segura. La luz del horno debería apagarse si la puerta está cerrada correctamente. Deje que el horno funcione durante 1 minuto.

¿Se enciende la luz del horno?

¿Funciona el ventilador de enfriamiento?

(Coloque su mano sobre las aberturas de ventilación traseras.)

¿Gira el plato giratorio?

(El plato giratorio puede girar en sentido horario o antihorario. Esto es bastante normal.)

¿Está caliente el agua dentro del horno?

Si la respuesta a alguna de las preguntas anteriores es "NO", verifique el enchufe de la pared y el fusible en su caja de medidores.

Si tanto el enchufe de la pared como el fusible funcionan correctamente, CONTACTE CON SU CENTRO DE SERVICIO APROBADO MÁS CERCANO.

PRECAUCIONES DURANTE EL SERVICIO

ADVERTENCIA

¡RADIACIÓN DE MICROONDAS!

ADVERTENCIA

Es peligroso que cualquier persona, excepto un técnico de servicio calificado, realice cualquier operación de servicio o reparación que implique la remoción de cualquier cubierta que brinde protección contra la exposición a la energía de microondas.

ADVERTENCIA

La temperatura de las superficies accesibles puede ser alta cuando el electrodoméstico está en funcionamiento.

ADVERTENCIA

El capacitor de alta tensión permanece cargado después de la desconexión; cortocircuite el terminal negativo del capacitor de alta tensión al chasis del horno (usa un destornillador) para descargar antes de tocar.

ADVERTENCIA

Durante el servicio, las siguientes partes enumeradas pueden ser retiradas y dar acceso a potenciales por encima de 250V de polo a tierra:

1. Magnetron
2. Transformador de alta tensión
3. Capacitor de alta tensión
4. Diodo de alta tensión
5. Fusible de alta tensión

ADVERTENCIA

Las siguientes condiciones pueden causar una exposición indebida a las microondas durante el servicio:

Montaje incorrecto del magnetron.

Coincidencia incorrecta del interbloqueo de la puerta, la bisagra de la puerta y la puerta.

Montaje incorrecto del soporte del interruptor.
La puerta, el sello de la puerta o la carcasa han sido dañados.

1. Si el LED muestra Err0 durante el funcionamiento, indica que el sensor se ha cortocircuitado y debes reemplazarlo en el departamento de reparación más cercano.
2. Si el LED muestra Err1 durante el funcionamiento, indica que el sensor se ha abierto en circuito, y debes reemplazarlo en el departamento de reparación más cercano.

ADVERTENCIA

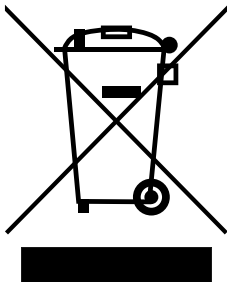
Si la puerta o los sellos de la puerta están dañados, el horno no debe funcionar hasta que haya sido reparado por una persona competente.

Es peligroso que cualquier persona, excepto un técnico de servicio calificado, realice cualquier operación de servicio o reparación que implique la remoción de cualquier cubierta que brinde protección contra la exposición a la energía de microondas.

Los líquidos u otros alimentos no deben calentarse en recipientes sellados, ya que pueden explotar.

Solo permite que los niños usen el horno sin supervisión cuando se les hayan dado instrucciones adecuadas para que el niño pueda usar el horno de manera segura y comprenda los peligros del uso incorrecto.

Correcto desecho de este producto:



Esta marca indica que este producto no debe ser desechado junto con otros residuos domésticos. Para prevenir posibles daños al medio ambiente o a la salud humana debido a la eliminación no controlada de residuos, recíclelo de manera responsable para promover la reutilización sostenible de los recursos materiales. Para devolver su dispositivo usado, por favor utilice los sistemas de devolución y recolección, o póngase en contacto con el minorista donde adquirió el producto. Ellos pueden encargarse de reciclar este producto de manera ambientalmente segura.