

# Self Closing Bottom Mount Drawer Slides

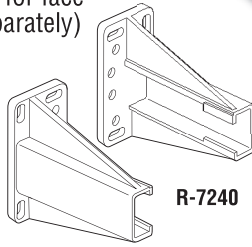
R-7210 ins

## Parts list:

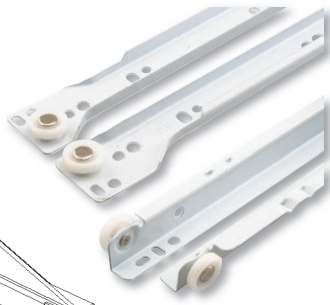
- 1 – Left cabinet member
- 1 – Right cabinet member
- 12 - #6 x 3/8" screws

## Additional parts required:

Drawer socket (R-7240) for face frame cabinets (sold separately)



R-7240



## Tools Required:

- #2 Phillips screwdriver
- Ruler
- Pencil or scribe
- Level

## Specifications:

Both sides of drawer require a clearance of 1/2"/13 mm

Bottom of drawer requires a 1/4"/6 mm clearance.

Top of drawer requires a minimum of 5/8"/16 mm clearance.

Place a mark 1-5/8"/4.1 cm from the bottom of the opening for face frame installation.

For face frame cabinets, the frame thickness should be 3/4"/19 mm minimum for wood screws.

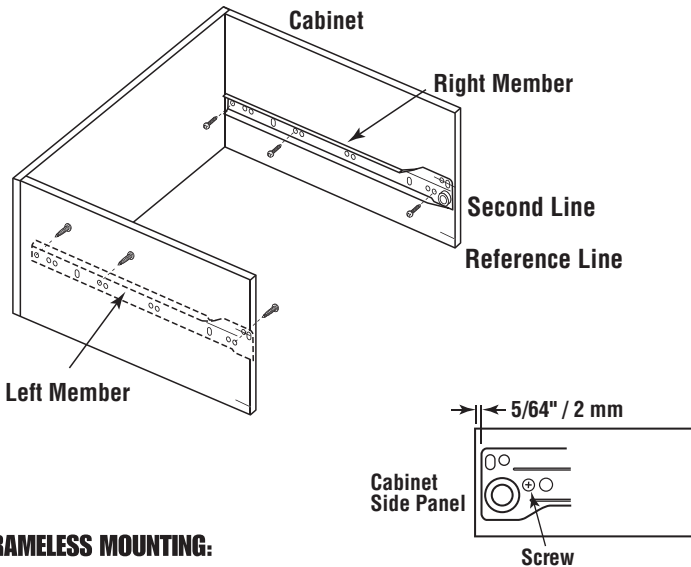
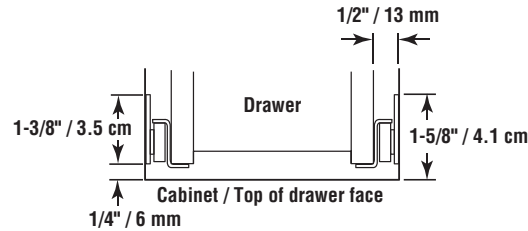
## Capacity and additional information:

75 lbs. per set

Available in lengths of 18"/45 cm (R-7210), 20"/50 cm (R-7211), 22"/55 cm (R-7212), 24"/60 cm (R-7213)

Right cabinet member secures the drawer in place.

Screw holes are elongated for proper alignment.



## FRAMELESS MOUNTING:

### Step 1.

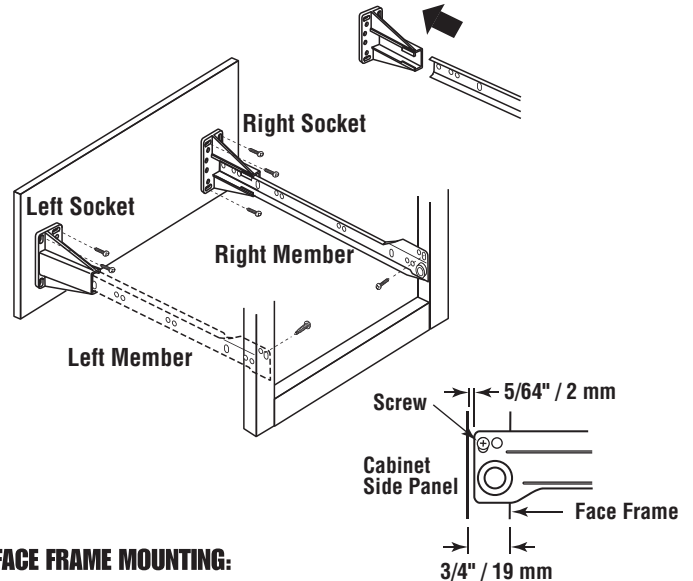
Members and sockets are marked with an "L" (left) and an "R" (right).

Determine the position of the bottom of the drawer front in relation to the cabinet face and mark out a line on both the left and right inside face of cabinet. (Fig. 1 "frameless")

### Step 2.

Place drawer members on the bottom of drawer with the rollers located to the rear. Members can be mounted to either the sides or bottom of the drawer and fastened with screws provided.

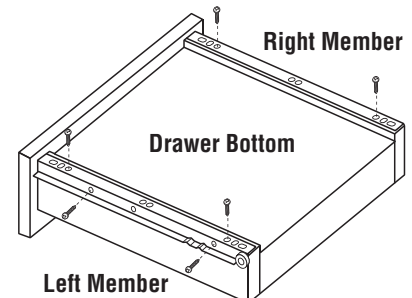
Test fit drawer members in loose cabinet members and measure from the bottom of the drawer front to the center of the cabinet member mounting hole. After determining that measurement, make a second mark on the inside cabinet face referencing the line already drawn to indicate the bottom measurement on both the left and right sides. Align the center the mounting hole of cabinet member with the second line and fasten with one screw. Using a level, align and fasten the second screw.



## FACE FRAME MOUNTING:

### Step 1.

Place drawer socket on the back of the cabinet member as shown. Align the top of the cabinet member with the 1-5/8"/4.1 cm line and fasten with one screw in the elongated hole. Fasten the drawer socket with one screw and use a level to align. Attach the remaining screws into sockets.



## INSTALLING DRAWERS:

Insert drawer into cabinet and place drawer member rollers over the cabinet member rollers. To remove drawer from track, pull forward to a point where the drawer stops, lift and pull out to remove.