

Easy Install Cafe Rod Instructions

For safety, please use a step ladder.

To view an instructional video, visit:
<http://maytex.com/easyinstall.php>

You will need:



drill



pencil

Components included:

x 4-6



anchors

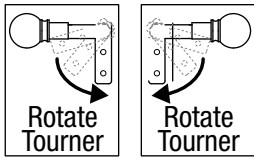
x 4-6



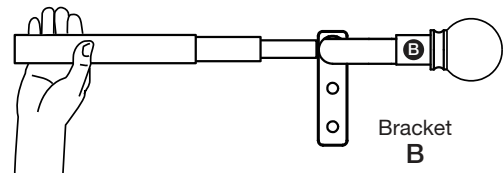
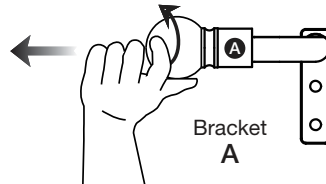
screws

Please Read All Installation Tips On Next Page Before Beginning.

Before Installation: Rotate bracket plate downwards until orientation matches the attached sticker. Separate the plastic brackets from the rods.

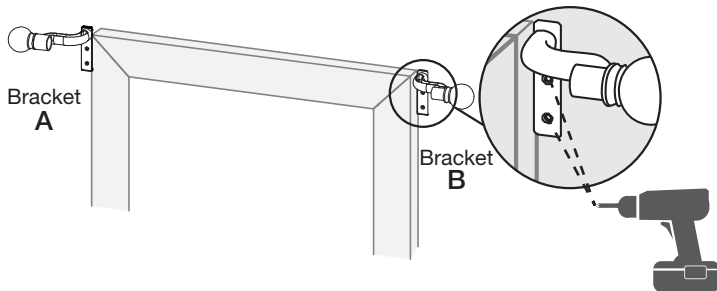


Twist and pull to remove left **A** bracket. Repeat on the other side.



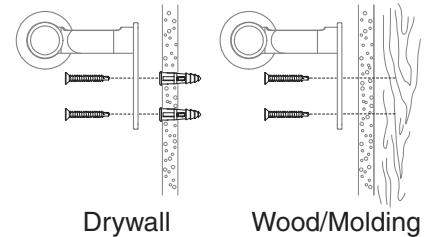
Standard Installation:

1. Line up bracket A at top left side of molding. Screw the bracket in the wall using a drill. Repeat with bracket B on top right side of molding.



If you want to hang the rod at a different height, see the next page.

For drilling into Drywall, pre-drill a 3/16 in. (0.47 cm) hole and install screws using the included Plastic Drywall Anchors.

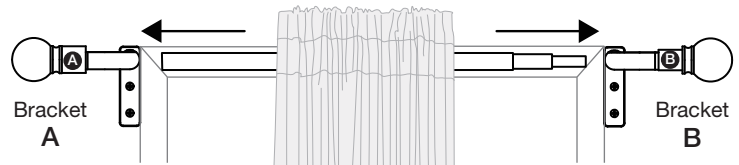


Because of the position of the brackets relative to the window, you will usually be screwing into a wooden stud and will not need the plastic anchors.

2. Make sure rod is unlocked (see directional sticker). With window curtains on the rod, fit the thicker tube into the bracket A. Extend the rods to the right to fit the thinner tube into bracket B.

IF YOU NEED MORE LENGTH, unlock middle tube as indicated on directional sticker and extend.

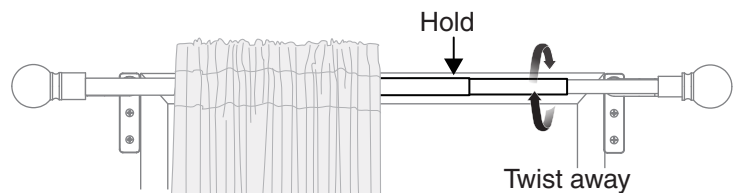
(DO NOT EXTEND BEYOND THE YELLOW 'STOP!' LINE.)



3. While holding the thickest tube, twist the middle tube away from you to lock it into place (as indicated by directional sticker). Twist until tight.

Space curtains until desired look is achieved.

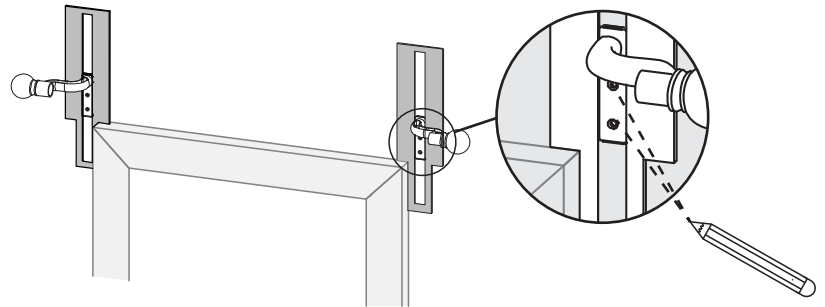
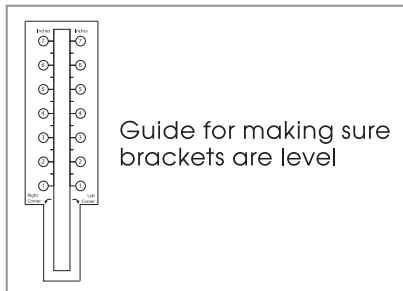
Installation Complete!



Installation Tips For Easy Install Cafe Rod

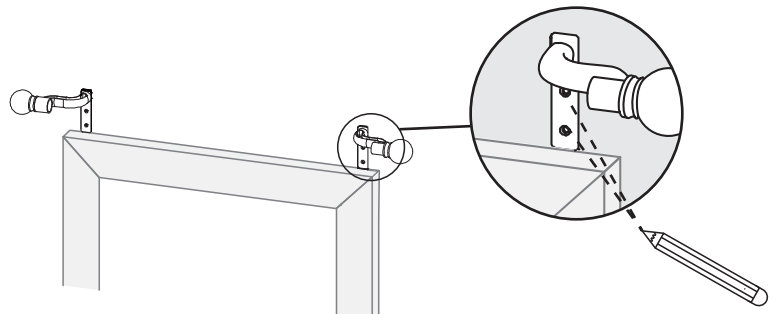
To Hang Above Your Window:

Using the included guide, mark the drilling location for the two screws on each bracket. Bracket A should be on your left as you face the window. Secure brackets with screws to wall using a drill.



If There Is Not Enough Space Between Window Opening And Wall:

When installing, if there is not enough space between opening and wall, mount brackets above window opening. Use the bottom of bracket for alignment.



If Window Opening Is 55in Or Wider:

If your window opening is 55in (140 cm) or wider, it is recommended that the included center rod support is used.

