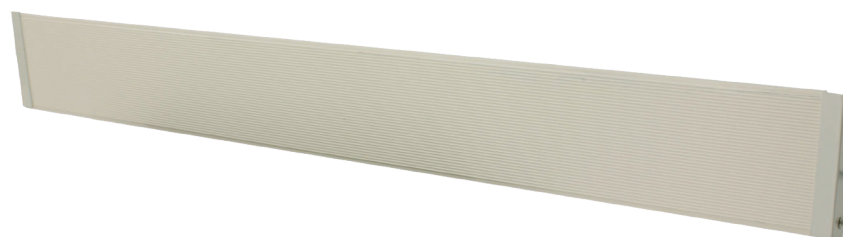


SAVE THESE INSTRUCTIONS

INSTALLATION INSTRUCTIONS



KCV SERIES Cove
Heater



DANGER



ELECTRIC SHOCK OR FIRE HAZARD

READ ALL WIRE SIZING, VOLTAGE REQUIREMENTS AND SAFETY
DATA TO AVOID PROPERTY DAMAGE AND PERSONAL INJURY



WARNING



It is ***extremely important*** to verify the electrical power supply is the same voltage as the heater being installed. **240 and 120 Volt heaters are not interchangeable.** Powering a 240 Volt unit with 120 Volt supply wires will reduce heater output by approximately 75%. Powering a 120 Volt unit with 240 Volt supply wires will destroy the heater and voids all guarantees and warranties.

CAUTION: Turn off power source supplying heater before attempting any installation, maintenance or repairs. Lock or tag circuit breaker/fuse panel door. Failure to do so could result in serious electrical shock, burns or possible death.

WARNINGS: To insure proper operation of this heater it should be a minimum of 6 feet above the floor and no closer than 2½" below drywall ceiling (6" vinyl or drop ceilings). Draperies should clear the front and top of this heater by 6". Draperies hung below the heater should have a 2 1/2" clearance. Do not block the heater in any manner. Never paint the heater.

MAINTENANCE & WARRANTY

Following the guidelines herein listed will result in a maintenance-free heater. There are no moving parts or motors to maintain. Periodic dusting of the front panel is all that is suggested.

The KCV Cove Heater carries a one (1) year warranty from date of installation. Please refer to the manufacturer's warranty statement for further information.

GENERAL INFORMATION

Sectional heaters are completely assembled and pre-wired. To prepare the heater for installation, carefully check the voltage to be used is the same as stated on the rating nameplate. Operating voltage can not exceed 5% of nameplate voltage. Operating heater above listed voltage ratings voids all guarantees and warranties.

SAVE THESE INSTRUCTIONS

SAVE THESE INSTRUCTIONS

INSTALLATION INSTRUCTIONS

Following are some general guidelines:

- Do not recess this cove heater.
- Disconnect power at main panel.
- Make certain all wiring is in accordance with all local codes and units are properly grounded.
- Voltage rating of heater should be the same as supply load.
- Do not install the heater on vinyl wall coverings.

INSTALLATION

1. Remove heater from carton. Disassemble the aluminum heating panel from the back support frame. Remove knock out in junction box for electrical supply connections.
2. To install back support frame on the wall locate provided studs and pre-drill 3/16" holes as needed. Use appropriate fasteners to securely mount to wall.
3. Place each end of the aluminum heating panel into the slots in corresponding junction boxes (as shown). This will support the heater while the electrical connections are made. Use the amperage size insulated wiring connectors for the electrical circuit load.
4. After wiring is complete, install the aluminum heating panel by hanging the top edge onto the top edge of the back support panel. Carefully press the electrical wires into the junction boxes making sure to not pinch any wires between the junction box and the heating panel. Lightly tighten the junction box cover screws provided. **Do not over tighten** as the aluminum heating panel will expand and contract during heating, requiring it to move freely.



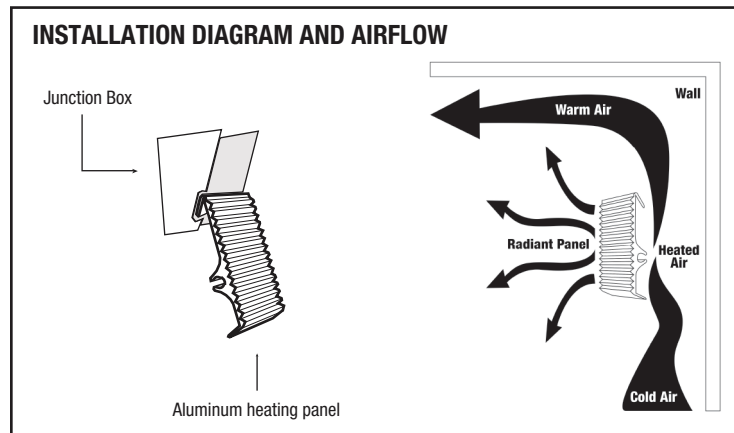
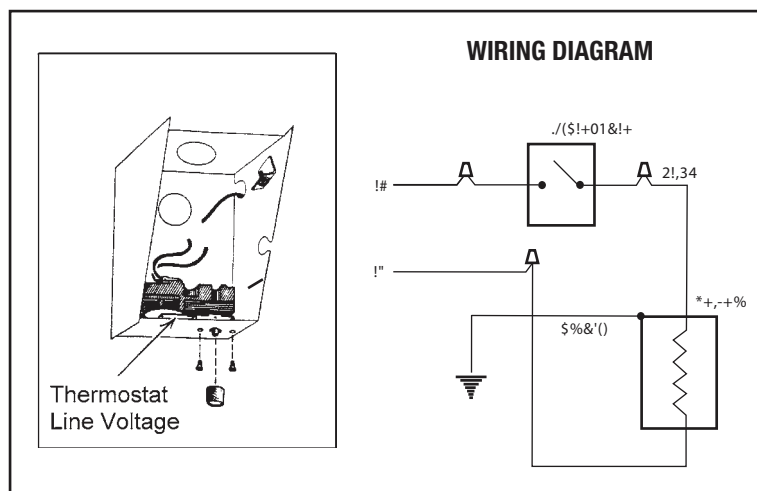
CAUTION

The heater should not be covered or blocked in any manner.



File #E41422

SAVE THESE INSTRUCTIONS



DIMENSIONS

