

ocioc



# Technical specifications

## Ceiling Fan Light

**Model:** OC52-WE-5D-W5  
OC52-WG-5D-W5  
OC52-BK-5D-W5  
OC52-BG-5D-W5

**Input:** AC 120V 60Hz

**Size:**  $\phi$ 52inch+H12.2inch

**Power:** 50W (Fan: 35W, Light: 15W)



**WARNING**



✓ ON/OFF switch



✗ Dimmable switch

Disconnect power prior to installation, inspection, or removal  
Do not touch when light is on or when it is hot  
If there is any problem with the fixture, turn power off and do not attempt to repair unless you are a qualified technician  
Do not expose to water or rain

# Packing List



Hanger Bracket



Coupling Cover



Canopy



Fan Motor Assembly



Lamp



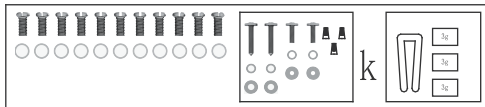
Downrod



Remote Control

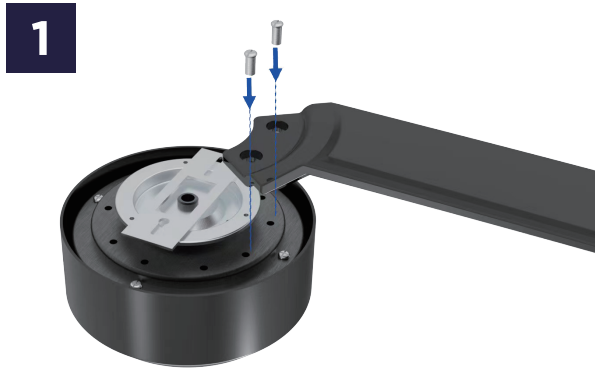


Blade



Screw Pack

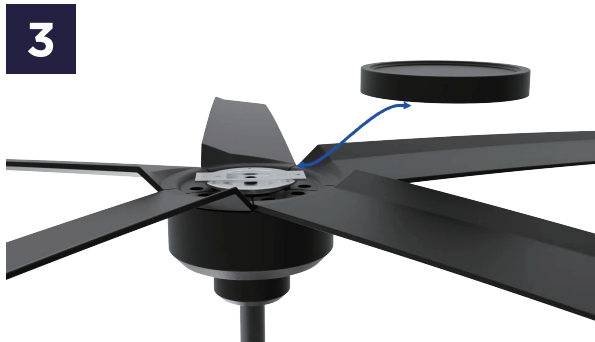
# Installation Guide



Fix the fan blades to the fan motor.



Connect the wires of the light fixture.

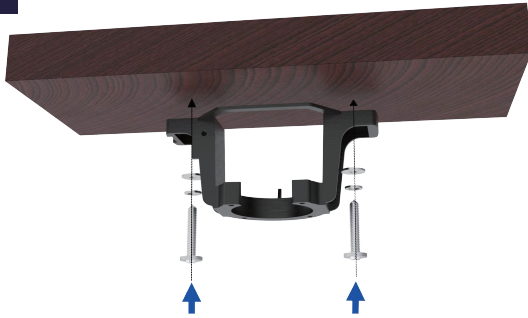


Install the light fixture onto the fan.



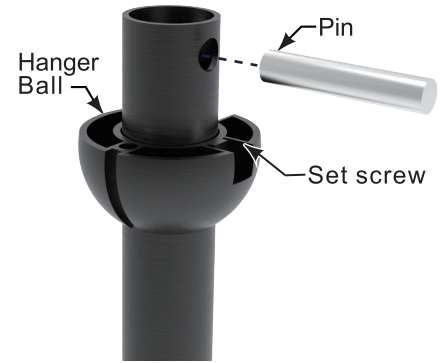
Slide the lamp fixture onto the light mounting bracket until it locks securely in place.

4



Fix the mounting bracket to the ceiling

5



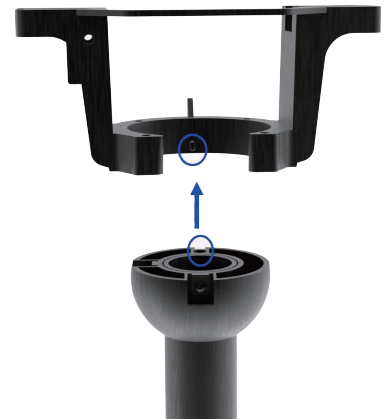
Unscrew and remove the set screw to disassemble the downrod.

6



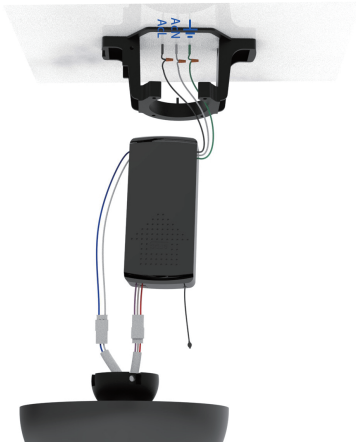
Assemble the downrod and fan motor assembly, then secure them together using the Pin.

7



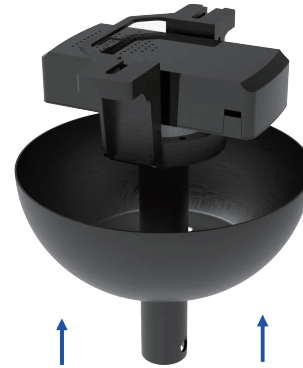
Hang the assembled fan onto the mounting bracket on the ceiling.

8



Interconnect the wires, including the power cord and fan controller cord.

9

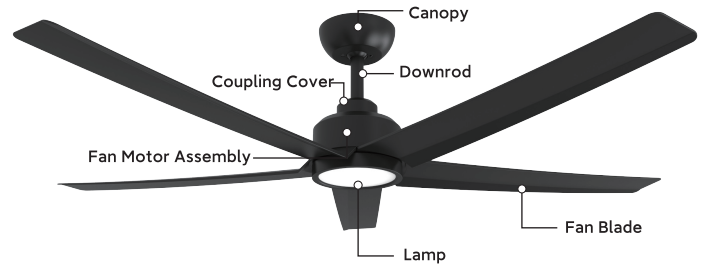


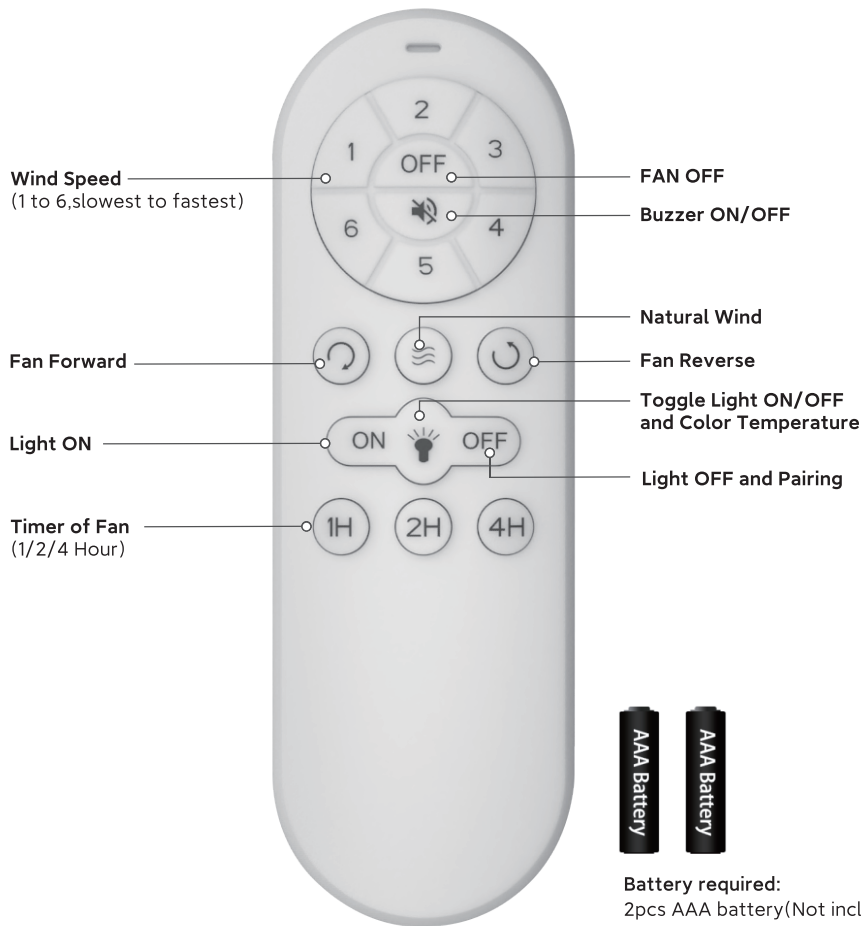
Insert the connected controller into the gap of the mounting bracket.

10



Secure the canopy with screws.





### PAIRING METHOD:

Within the first 30 seconds of powering on the fan, press and hold the 'Light OFF' button. A successful pairing is indicated by a beep sound.

### TROUBLESHOOTING GUIDE:

If you find the remote control unable to operate the fan, please follow these steps to resolve the issue:

- 1, Check the remote control's battery for proper contact, correct placement, and sufficient charge.
- 2, Re-pair the remote control with the ceiling fan .

### AFTER-SALES SERVICE:

Go to Your Orders – Find your order in the list–Select "Problem with order"–Choose your topic from the list displayed – Select Contact Seller .

Service Mailbox: [ociocservice@outlook.com](mailto:ociocservice@outlook.com)

