

KWT320-33/18

33 Inch Top Mount Workstation Single Bowl Stainless Steel Kitchen Sink

Kräus®

SPECIFICATION SHEET

Sink Dimensions

Overall Dimensions: 33" x 22"

Bowl Dimensions: 31" x 16"

Bowl Depth: 9"

Features

- 16 Gauge Stainless Steel Construction
- Single Bowl Dual Mount Sink
- Required Minimum Cabinet Size: 36" Left to Right, 24" Front to Back
- Rear Off-Set Drain
- 3 1/2" Drain Opening
- NoiseDefend Undercoating and Sound Dampening Pads

Accessories Included

- Strainer ST-1
- Cover Cap STC-2
- Bottom Grid KBG-UN10-30
- Cutting Board KCB-WS103AC
- Rolling Mat KRM-11BL
- Top Mount Cut-Out Template
- Top Mount Hardware

Optional Accessories

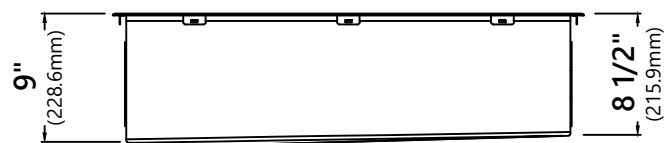
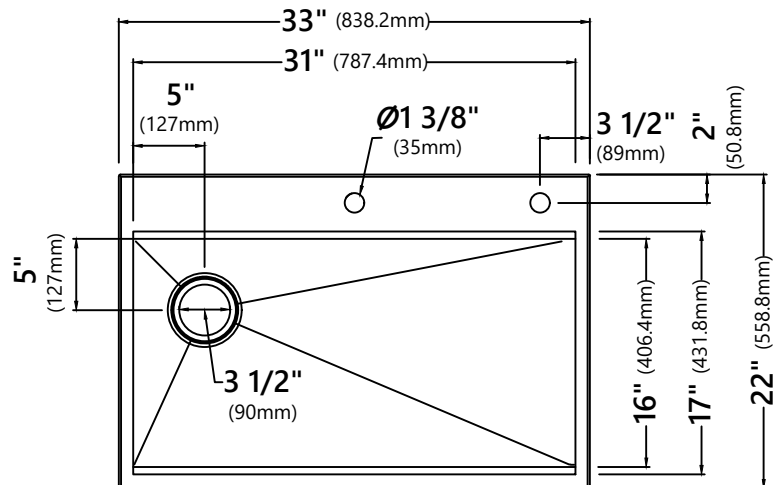
- Undermount Cut-Out Template
- Undermount Hardware

CODES/STANDARDS:

Product Certification

cUPC (ASME A112.19.3/CSA B45.4)

NOTE: Maximum countertop thickness for Top Mount installation is 1 1/2".



Warranty

Kraus Limited Lifetime Warranty

see website for details www.kraususa.com

Kraus USA Customer Service

1.800.775.0703 | customerservice@kraususa.com

REV. November 9, 2020