

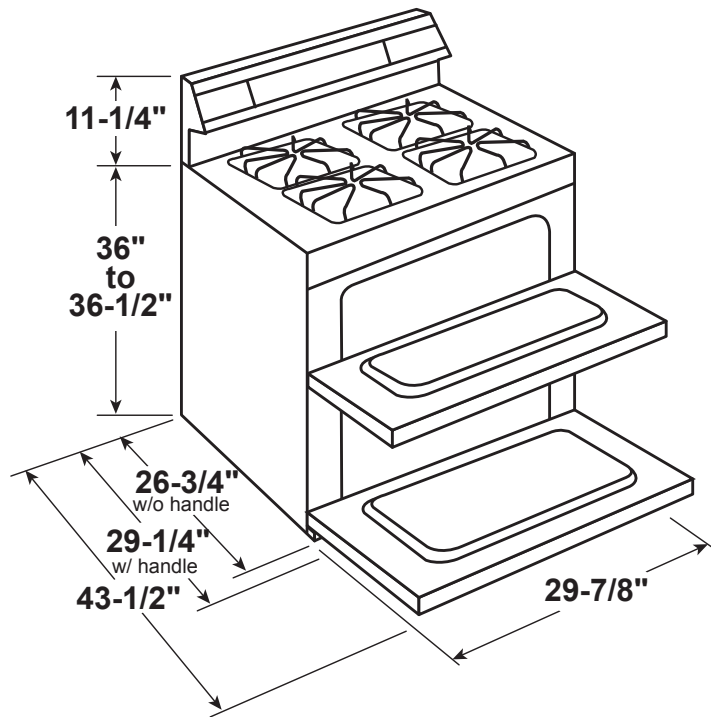
PGB965YP/BP

GE Profile™ 30" Free-Standing Gas Double Oven Convection Fingerprint Resistant Range with No Preheat Air Fry

DIMENSIONS AND INSTALLATION INFORMATION (IN INCHES)

ELECTRICAL RATING: 120V, 60Hz, 15A

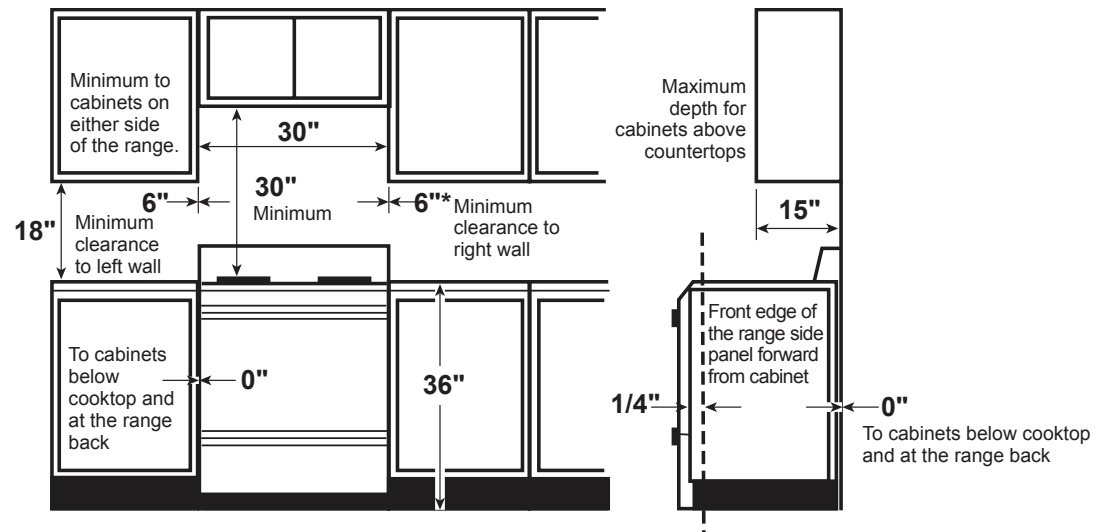
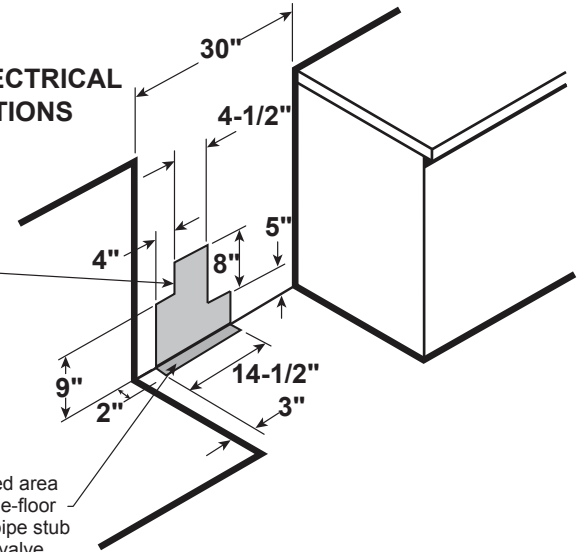
INSTALLATION INFORMATION: Before installing, consult installation instructions packed with product for current dimensional data.



GAS PIPE AND ELECTRICAL OUTLET LOCATIONS

Recommended area for 120V outlet on rear wall and area for through-the-wall connection of pipe stub and shut-off valve.

Recommended area for through-the-floor connection of pipe stub and shut-off valve.



For answers to your Monogram, GE Café™, GE Profile™ or GE Appliances product questions, visit our website at geappliances.com or call GE Answer Center® Service, 800.626.2000.



All GE ranges are equipped with an Anti-Tip device. The installation of this device is an important, required step in the installation of the range.

PGB965YP/BP

GE Profile™ 30" Free-Standing Gas Double Oven Convection Fingerprint Resistant Range with No Preheat Air Fry

FEATURES AND BENEFITS

No Preheat Air Fry – With this air fryer right in the oven, you can cook healthier, crispier versions of your favorite foods. There's no preheat required and it shortens the cook time because every minute counts.

Reversible Grill and Griddle – This extra-large, reversible griddle and grill combination lets you enjoy the best in cooking versatility.

True Convection with Precise Air – This oven features True Convection, an advanced convection system that uses a third heating element and reversing fan for the highest level of heat and air circulation.

Synchronized Clocks and Lights – Synchronize your oven and GE Appliances over-the-range microwave so that clocks are always matching and lights and ventilation automatically come on when a burner is activated with Chef Connect.

3 Oven Racks – This oven features three adjustable racks for extra space in the oven.

Center Oval Burner – This center oval burner gives you a fifth burner and the perfect place to use griddles or odd-size cookware.

Self-Clean with Steam Clean – This self-cleaning oven uses optional steam cleaning for light soils to clean the oven cavity with less heat and odor.

Heavy Duty, Dishwasher-Safe Grates – These cooktop grates can be cleaned one of two ways – either in the dishwasher, or on the bottom of a self-clean oven.

Tri-Ring Burner – A versatile burner offers three different-sized flame rings on a single burner element, so it's like having three burners in one.

Heavy Duty, Never-Scrub Rack – This removable oven rack can be left in the oven during the self-clean cycle so you never have to scrub.

Built-in WiFi – This smart oven features built-in WiFi so you can control oven functions with the SmartHQ app on your smart device.

Precise Simmer Burner – This burner setting provides low, even heat so delicate dishes don't burn.

Large Capacity Double Oven – Cook an entire meal at once with a 6.7 cubic foot total capacity double oven which provides enough room for multiple dishes.

Sabbath Mode

Model PGB965YPFS – Fingerprint Resistant Stainless Steel

Model PGB965BPTS – Black Stainless

