

Food Processor

READ BEFORE USE

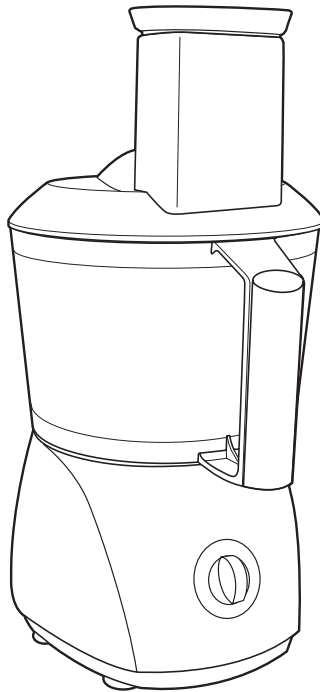
Robot culinaire

LIRE AVANT L'UTILISATION

Procesador de alimentos

LEA ANTES DE USAR

Le invitamos a leer cuidadosamente
este instructivo antes de usar su aparato.



English	2
USA: 1.800.851.8900	
Visit hamiltonbeach.com for delicious recipes and to register your product online!	
Français	11
Canada : 1.800.267.2826	
Consulter hamiltonbeach.com pour les recettes délicieuses et à enregistrer votre produit !	
Español	21
México: 01.800.71.16.100	
Visite hamiltonbeach.com para recetas deliciosas y para registro de su producto en línea.	

WARNING

Shock Hazard

- Do not immerse this appliance in water or other liquid.
- This appliance has a polarized plug (one wide blade) that reduces the risk of electrical shock. The plug fits only one way into a polarized outlet. Do not defeat the safety purpose of the plug by modifying the plug in any way or using an adaptor. If the plug does not fit, reverse the plug. If it still does not fit, have an electrician replace the outlet.

IMPORTANT SAFEGUARDS

When using electrical appliances, basic safety precautions should always be followed, including the following:

1. Read and save all instructions.
2. To protect against risk of electrical shock, do not immerse base, motor, cord, or plug in water or other liquid.
3. Close supervision is necessary when any appliance is used by or near children.
4. This appliance should not be used by children.
5. Unplug cord from outlet when not in use, before putting on or taking off parts, and before cleaning.
6. Avoid contacting moving parts.
7. Do not operate any appliance with a damaged cord or plug or after the appliance malfunctions or is dropped or damaged in any manner. Call our toll-free customer service number for information on examination, repair or electrical or mechanical adjustment.
8. The use of attachments not recommended or sold by Hamilton Beach/Proctor-Silex, Inc. may cause fire, electric shock, or injury.
9. Do not use your food processor if any part is broken.
10. Do not use appliance outdoors.
11. Do not let cord hang over edge of table or counter, or touch hot surfaces.
12. Never feed food into food chute by hand. Always use food pusher.
13. The blade and disc are sharp. Handle carefully. Store out of reach of children.
14. Make sure the blade or disc has come to a full stop before removing lid.
15. Be certain lid is securely locked in place before operating appliance.
16. To reduce the risk of injury, never place cutting blade or disc on base without first putting bowl properly in place.
17. Keep hands and utensils away from moving blade and disc while processing food to reduce the risk of severe personal injury and/or damage to the food processor. A rubber scraper may be used but ONLY when the food processor is not running.
18. Do not attempt to defeat the lid interlock mechanism.
19. To reduce the risk of injury, be sure to insert or remove blade and disc using hubs provided for this purpose. Use caution when removing blade and disc from the bowl, when emptying the bowl, and when cleaning.
20. Be sure to turn Control Knob to OFF position after each use. Always use the pusher to clear the food chute. When this method is not possible, turn the motor off, unplug cord from outlet, and disassemble unit to remove the remaining food.
21. The appliance is not intended for commercial, professional or industrial use. It is designed and built exclusively for domestic use only.
22. Never use appliance for a longer period or with a larger amount of ingredients other than that recommended by Hamilton Beach/Proctor-Silex, Inc.
23. Do not place on or near a hot gas or electric burner or in a heated oven.
24. Do not use appliance for other than intended use.

SAVE THESE INSTRUCTIONS!

Other Consumer Safety Information

This appliance is intended for household use only.

To avoid an electrical circuit overload, do not use another high wattage appliance on the same circuit with your food processor.

The length of the cord used on this appliance was selected to reduce the hazards of becoming tangled in, or tripping over a longer cord. If a longer cord is necessary, an approved extension cord may be used.

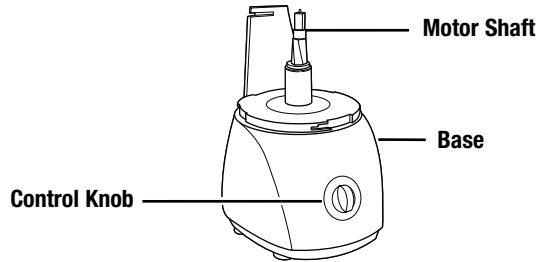
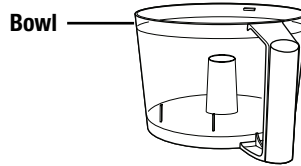
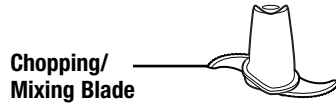
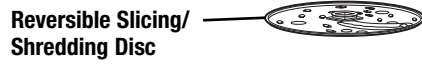
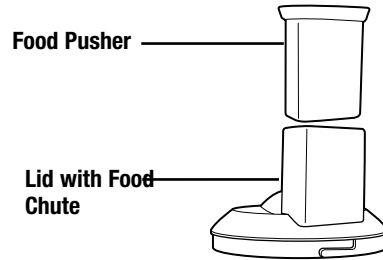
The electrical rating of the extension cord must be equal to or greater than the rating of the food processor. Care must be taken to arrange the extension cord so that it will not drape over the countertop or tabletop where it can be pulled on by children or accidentally tripped over.

The maximum rating of this unit is based on using the Slicing/Shredding Disc. Using the Chopping/Mixing Blade may draw significantly less power.

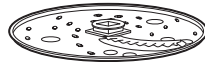
Before First Use

Unpack processor. Handle Chopping/Mixing Blade and Slicing/Shredding Disc(s) carefully; they are very sharp. Wash all parts except base in hot, soapy water. Rinse then dry. These parts can also be placed on the top rack of a dishwasher.

Parts and Features



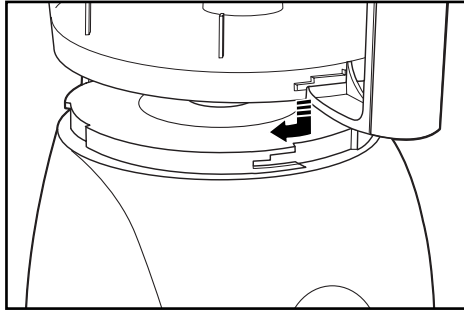
Optional Accessory Reversible Fine Shred/ Crinkle Cut Disc



To Order Call:
1.800.851.8900 (U.S.)
1.800.267.2826 (Canada)
hamiltonbeach.com

Using Your Food Processor

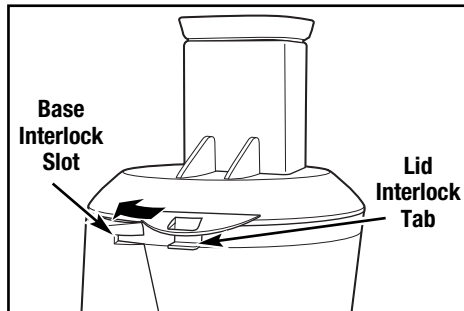
How to Lock the Bowl



Align base and bowl as illustrated. Turn bowl clockwise until it locks into place.

NOTE: The food processor will not work unless the bowl is locked into position.

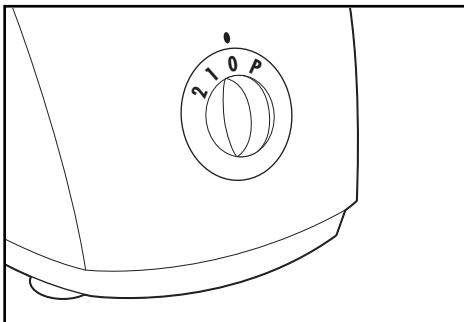
How to Lock the Lid



Align lid as illustrated. Place lid on bowl and turn clockwise until it locks into place.

NOTE: The food processor will not work unless the lid is locked into position.

How to Operate the Controls



Rotate the knob to select a speed:

1 = LOW

2 = HIGH

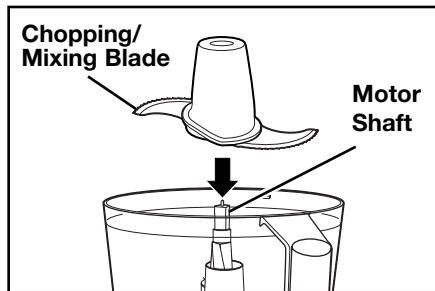
The processor will run continuously.

For instant on and off control, use the PULSE (**P**) setting.

Processing with Chopping/Mixing Blade

The Chopping/Mixing Blade can be used to coarsely chop, finely mince, mix, or puree food to a smooth consistency.

1. Make sure the Control Knob is turned to OFF (**O**) and the unit is unplugged.
2. Lock the bowl onto base (see “How to Lock the Bowl”).
3. Place the Chopping/Mixing Blade onto motor shaft of food processor in center of bowl. Turn slowly until blade drops into place. **Handle carefully; the blade is sharp.**



4. Place food in bowl.
5. Lock lid onto bowl (see “How to Lock the Lid”). Insert food pusher into chute.
6. Plug in unit and process food. The processing speed and time will determine the finished consistency of the food. The Pulse button can help you avoid overprocessing.
7. **Wait until blade has stopped rotating before removing lid.**

Processing with Reversible Slicing/Shredding and Optional Reversible Fine Shred/Crinkle Cut Disc

- To slice or shred cheese, select firm cheese like cheddar, monterey jack, or swiss. Place cheese in freezer for 30 minutes before processing.
- The Reversible Slicing/Shredding Disc and Reversible Fine Shred/Crinkle Cut Disc has a slicing blade on one side and shredding teeth on the other. Place on motor shaft with desired cutting edge facing up.
- To julienne vegetables, slice then remove from bowl and restack the vegetables. Pack into food chute with slices vertical. Slice again to make match-stick cut vegetables.

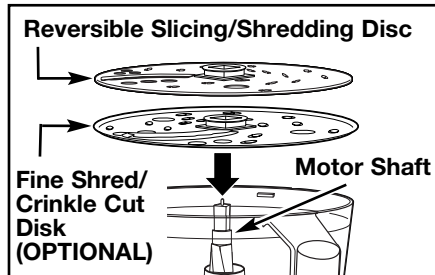
Optional Accessory

A Reversible Fine Shred/Crinkle Cut Disc is available. This Disc makes meals more interesting—foods may be crinkle cut or finely shredded for added variety.

To Order Call:

1.800.851.8900 (U.S.) • 1.800.267.2826 (Canada)
or visit hamiltonbeach.com

1. Make sure the Control Knob is turned to OFF (**O**) and the unit is unplugged.
2. Lock the bowl onto base (see “How to Lock the Bowl”).
3. Put Reversible Slicing/Shredding Disc OR optional Reversible Fine Shred/Crinkle Cut Disc on motor shaft with the desired side facing up for either slicing or shredding.
4. Lock lid onto bowl (see “How to Lock the Lid”).
5. Cut food to fit food chute. Fill chute with food and push food through chute with food pusher. **Always use the food pusher to feed food into the chute. NEVER PUSH FOOD THROUGH CHUTE WITH HANDS.**
6. Plug in unit and process food.








7. Select speed. While pressing on food pusher, select LOW (1) or HIGH (2) or PULSE (P) to process food.
8. When food chute is empty, select OFF (**O**) or release from PULSE (P) position. **Wait until blade has stopped rotating before removing lid.**

Processing Tips and Techniques

- For a uniform consistency when chopping, leave room in the bowl for the food to be tossed around.
 - For a consistent texture, foods should be cut into 1-inch cubes before mincing or chopping with the Chopping/Mixing Blade.
 - Do not puree or mash starchy vegetables like potatoes. They will be over-processed in a second and turn gummy.
 - Operating time will depend on quantity of food being processed. Most foods can be sliced, chopped, or shredded in seconds. Do not operate processor for more than 1 minute at a time. If processing large quantities, let the processor rest about 1 minute before continuing.
 - The bowl will hold 2 cups of liquid. Refer to Food Processing Charts for other capacities. Do not overfill.
- NOTE:** To maintain peak performance, and to prevent etching or clouding of the bowl, do not use your food processor for the following:
- grinding grain, coffee beans or spices
 - slicing frozen meat; or crushing ice.

Food Processing Charts

Disc attachments are reversible and labeled. This label should face up for the desired function. When using disc attachments, do not process past the Max Fill Line on the Bowl.

ATTACHMENTS	FOODS
Slicing Disc (slicing blade facing up) 	Cucumbers, apples, mushrooms, carrots, potatoes, cabbage, firm cheeses
Optional Crinkle Cut Disc (slicing blade facing up) 	
Chopping/Mixing Blade 	Chop nuts, meat Mince, puree vegetables, fruit
Shredding Disc (shredding teeth facing up) 	Vegetables, cheese
Optional Fine Shred Disc (shredding teeth facing up) 	

For best results do not exceed the following amounts when chopping, mincing, or pureeing with the **Chopping/Mixing Blade**.

FOOD	MAXIMUM AMOUNT
Fruits and vegetables	1 pound or 2 to 3 cups
Meats	16 ounces or 2 cups, cubed
Parmesan or Romano cheese	5 ounces, cubed
Cheddar, Jack, or Mozzarella cheese	8 ounces, cubed
Crackers	10 cups (may fill bowl and lid up into chute)

Cleaning

1. Unplug food processor from electrical outlet.
2. Wash the bowl, lid, blade, discs, and food pusher in hot, soapy water. Rinse and dry thoroughly. These parts may also be washed in the top rack of a dishwasher.
NOTE: Do not store food processor with lid in the locked position, as this may put strain on the interlock tab.
3. Wipe the base, control panel, and cord with a damp cloth or sponge. To remove stubborn soil, use a mild non-abrasive cleanser.

⚠ WARNING

Electrical Shock Hazard

- Disconnect power before cleaning.
- Do not immerse cord, plug or base in any liquid.

Failure to follow these instructions can result in death or electrical shock.

4. To store, place bowl on base and then place Chopping/Mixing Blade and Slicing/Shredding Disc onto the motor shaft. Place lid on bowl but do not lock.

Troubleshooting Guide

Before calling the Hamilton Beach/Proctor Silex, Inc. Customer Service Number, carefully check the list below for a possible solution to your question.

POTENTIAL PROBLEM	PROBABLE CAUSE/SOLUTION
Unit does not operate on any speed or Pulse.	<ul style="list-style-type: none"> • Are the Bowl and Lid locked in place? See "Using Your Food Processor."
Food is not sliced or shredded uniformly.	<ul style="list-style-type: none"> • Packing too much food into food chute, or pushing too hard on food pusher may cause the processed food to be irregularly sliced or shredded.
Unit stops and will not come back on.	<ul style="list-style-type: none"> • Are the bowl, bowl lid, and food chute lid all locked in place? They may have moved slightly during processing. See "Using Your Food Processor." • Is the outlet working? Check it by plugging in a working lamp or other appliance. You may have overloaded the circuit and blown a fuse or tripped the circuit breaker. <p>If none of these suggestions correct the problem, DO NOT attempt to repair the unit. Call Hamilton Beach/Proctor-Silex Customer Service.</p>
Unit has a burning smell.	<ul style="list-style-type: none"> • There may be a residue left on the motor from the manufacturing process, causing a slight odor during initial use. This will go away. If a strong odor or any visible smoke appears, unplug the unit IMMEDIATELY and call the Hamilton Beach/Proctor-Silex Customer Service number.

Customer Service

If you have a question about your food processor, call our toll-free customer service number. Before calling, please note the model, type, and series numbers and fill in that information below. These numbers can be found on the bottom of your food processor. This information will help us answer your question much more quickly.

MODEL: _____ **TYPE:** _____ **SERIES:** _____

This warranty applies to products purchased in the U.S. or Canada.

LIMITED WARRANTY

This product is warranted to be free from defects in material and workmanship for a period of one (1) year for Hamilton Beach products or one hundred eighty (180) days for Proctor-Silex and Traditions products from the date of original purchase, except as noted below. During this period, we will repair or replace this product, at our option, at no cost. THE FOREGOING WARRANTY IS IN LIEU OF ANY OTHER WARRANTY OR CONDITION, WHETHER EXPRESS OR IMPLIED, WRITTEN OR ORAL INCLUDING, WITHOUT LIMITATION, ANY STATUTORY WARRANTY OR CONDITION OF MERCHANTABILITY OR FITNESS FOR A PARTICULAR PURPOSE. ANY LIABILITY IS EXPRESSLY LIMITED TO AN AMOUNT EQUAL TO THE PURCHASE PRICE PAID, AND ALL CLAIMS FOR SPECIAL, INCIDENTAL AND CONSEQUENTIAL DAMAGES ARE HEREBY EXCLUDED. There is no warranty with respect to the following, which may be supplied with this product, including without limitation: glass parts, glass containers, cutter/strainers, blades, seals, gaskets, clutches, motor brushes, and/or agitators, etc. This warranty extends only to the original consumer purchaser and does not cover a defect resulting from abuse, misuse, neglect including failure to clean product regularly in accordance with manufacturer's instructions, use for commercial purposes, or any use not in conformity with the printed directions. This warranty gives you specific legal rights, and you may also have other legal rights which vary from state to state, or province to province. Some states or provinces do not allow limitations on implied warranties or special, incidental or consequential damages, so the foregoing limitations may not apply to you. If you have a claim under this warranty, DO NOT RETURN THE APPLIANCE TO THE STORE! Please call our CUSTOMER SERVICE NUMBER. (For faster service please have model, series, and type numbers ready for operator to assist you.)

CUSTOMER SERVICE NUMBERS

In the U.S. 1-800-851-8900
In Canada 1-800-267-2826

hamiltonbeach.com or proctorsilex.com

KEEP THESE NUMBERS FOR FUTURE REFERENCE!

⚠️ AVERTISSEMENT

Risque d'électrocution

- N'immergez pas cet appareil dans l'eau ou tout autre liquide.
- Cet appareil est muni d'une fiche polarisée (une lame plus large) qui réduit les risques d'électrocution. La fiche s'introduit dans la prise polarisée dans un sens seulement. Ne nuisez pas à la conception sécuritaire de la fiche en la modifiant de quelque façon que ce soit ou en utilisant un adaptateur. Placez la fiche dans l'autre sens si elle refuse de s'introduire dans la prise. S'il est encore impossible d'insérer la fiche, demandez à un électricien de remplacer la prise électrique.

PRÉCAUTIONS IMPORTANTES

Lors de l'utilisation d'appareils électroménagers, des précautions fondamentales de sécurité doivent toujours être observées, y compris ce qui suit :

1. Lire et conserver toutes les instructions.
2. Pour protéger contre le risque de choc électrique, ne pas immerger la base, le moteur, le cordon ou la fiche dans l'eau ou autre liquide.
3. Une bonne surveillance est nécessaire pour tout appareil utilisé par des enfants ou près d'eux.
4. Cet appareil ne doit pas être utilisé par des enfants.
5. Débrancher l'appareil de la prise de courant électrique lorsqu'il n'est pas utilisé, avant d'y placer ou d'en enlever des pièces, ou avant un nettoyage.
6. Éviter le contact avec les pièces en mouvement.
7. Ne pas faire fonctionner un appareil électroménager avec une fiche ou un cordon endommagé, ou lorsque l'appareil ne fonctionne pas bien ou a été échappé ou endommagé d'une manière quelconque. Composer notre numéro de service aux clients sans frais d'interurbain pour renseignements concernant l'examen, la réparation ou l'ajustement électrique ou mécanique.
8. L'utilisation d'accessoires non recommandés ni vendus par Hamilton Beach/Proctor-Silex, Inc. peut causer un incendie, un choc électrique ou des blessures.
9. Ne pas utiliser votre robot culinaire si une pièce quelconque est brisée.
10. Ne pas utiliser l'appareil à l'extérieur.
11. Ne pas laisser le cordon pendre au bord d'une table ou d'un comptoir, ni venir en contact avec des surfaces chaudes.
12. Ne jamais introduire d'aliments dans la trémie à la main. Toujours utiliser le poussoir.
13. Le couteau et le disque sont coupants. Les manipuler avec soin. Les ranger hors de portée des enfants.
14. S'assurer que le couteau ou le disque sont complètement arrêtés avant d'enlever le couvercle.
15. S'assurer que le couvercle est bien verrouillé en place avant de mettre l'appareil en marche.
16. Pour réduire le risque de blessures, ne jamais mettre le couteau ou le disque tranchants sur la base avant d'avoir d'abord bien mis le bol en place.
17. Garder les mains et ustensiles à l'écart du couteau et du disque mobiles durant le traitement des aliments, pour réduire le risque de blessure corporelle grave et/ou d'endommagement du robot culinaire. On peut se servir d'un racloir en caoutchouc, mais SEULEMENT lorsque le robot culinaire ne fonctionne pas.
18. Ne pas essayer de contourner le mécanisme de verrouillage du couvercle.
19. Pour réduire le risque de blessure, veiller à insérer et retirer le couteau et le disque en se servant des moyeux prévus à cette fin. Faire attention lorsqu'on enlève le couteau et le disque du bol, lorsqu'on vide le bol et durant le nettoyage.
20. S'assurer de régler le commutateur à la position OFF (arrêt) après chaque utilisation. Toujours utiliser le poussoir pour dégager les aliments de la trémie. Lorsque cette méthode n'est pas possible, arrêter le moteur et débrancher le cordon de la prise, et démonter l'unité pour enlever le reste d'aliments.
21. L'appareil n'est pas destiné à l'usage commercial, professionnel ou industriel. Il est conçu et construit seulement pour l'utilisation domestique exclusivement.
22. Ne jamais utiliser cet appareil ménager pendant une période plus longue ou avec une plus grande quantité d'ingrédients que celles recommandées par Hamilton Beach/Proctor-Silex, Inc.
23. Ne pas placer sur ou près d'un brûleur à gaz ou électrique ou dans un four chauffé.
24. Ne pas utiliser cet appareil pour d'autres fins que celles prévues.

CONSERVEZ CES INSTRUCTIONS!

Autres renseignements de sécurité aux consommateurs

Cet appareil est destiné à l'utilisation domestique seulement.

Pour éviter une surcharge du circuit électrique, ne pas utiliser un autre appareil électroménager à forte consommation sur le même circuit que le robot culinaire.

La longueur du cordon de cet appareil a été choisie de façon à ce que l'on ne risque pas de trébucher dessus. Si un cordon plus long est nécessaire, utiliser une rallonge appropriée.

Le calibrage de la rallonge doit être le même que celui du robot culinaire ou supérieur. Lorsqu'on utilise une rallonge, s'assurer qu'elle ne traverse pas la zone de travail, que des enfants ne puissent pas tirer dessus par inadvertance et qu'on ne puisse pas trébucher dessus.

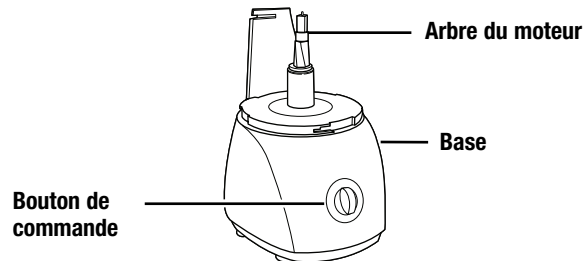
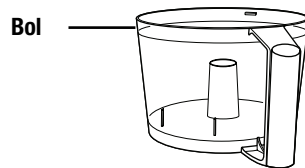
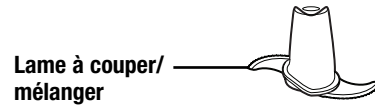
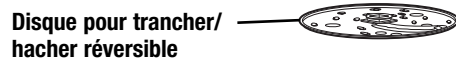
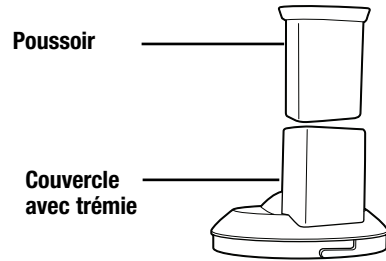
The maximum rating of this unit is based on using the Slicing/Shredding Disc. Using the Chopping/Mixing Blade may draw significantly less power.

Avant l'utilisation la première fois

Retirer le robot culinaire de l'emballage. Manipuler soigneusement le couteau à couper/mélanger et le disque pour trancher/hacher; ces articles sont très coupants.

Laver toutes les pièces excepté la base dans de l'eau chaude savonneuse. Bien rincer et sécher. Ces pièces peuvent aussi être lavées au lave-vaisselle.

Pièces et caractéristiques



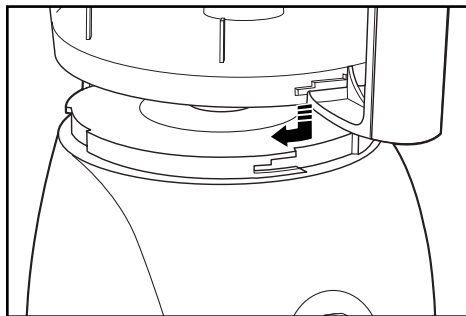
Accessoire en option
**Disque pour hacher fin/
à coupe ondulée réversible**



Pour commander :
1.800.851.8900 (É.-U.)
1.800.267.2826 (Canada)
hamiltonbeach.com

Utilisation du robot culinaire

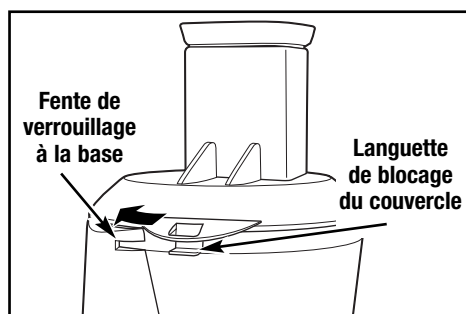
Verrouillage du bol



Aligner la base et le bol tel qu'illustré. Tourner le bol dans le sens horaire jusqu'à ce qu'il se verrouille en place.

REMARQUE : Le robot culinaire ne fonctionnera pas si le bol n'est pas verrouillé en place.

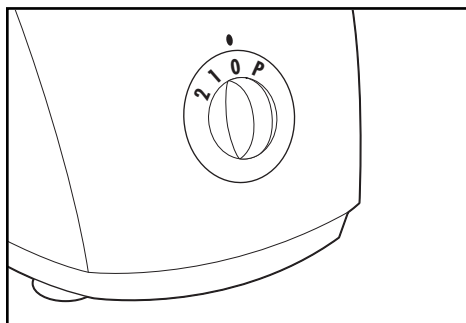
Verrouillage du couvercle



Aligner le couvercle tel qu'illustré. Placer le couvercle sur le bol et le tourner dans le sens horaire jusqu'à ce qu'il se verrouille en place.

REMARQUE : Le robot culinaire ne fonctionnera pas si le couvercle n'est pas verrouillé en place.

Utilisation des commandes



Tourner le bouton pour sélectionner une vitesse :

1 = LOW (Basse)

2 = HIGH (Élevée)

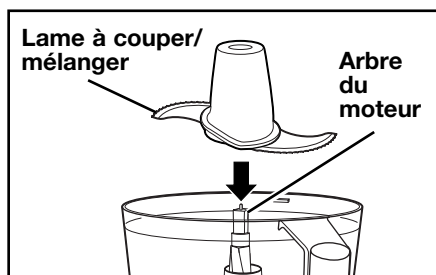
Le robot fonctionnera sans arrêt.

Pour une mise en marche ou arrêt instantanée, utiliser le cadre PULSE (**P**) (Pulsations).

Traitement à l'aide de la lame à couper/mélanger

La lame à couper/mélanger peut servir à couper grossièrement, émincer, mélanger ou réduire en purée les aliments.

1. S'assurer que le bouton de commande est à la position OFF (O) et que l'appareil est débranché.
2. Verrouiller le bol sur la base (voir la rubrique « Verrouillage du bol »).
3. Placer la lame à couper/mélanger sur l'arbre du moteur au centre du bol. Tourner lentement jusqu'à ce que la lame tombe en place. **Manipuler avec soin; la lame est coupante.**



4. Place food in Bowl.
5. Verrouiller le couvercle sur le bol (voir la rubrique « Verrouillage du couvercle »). Insert Food Pusher into Chute.
6. Brancher l'appareil et traiter les aliments. La vitesse et la durée du traitement déterminera la consistance finale de la nourriture. Pour éviter de traiter la nourriture à l'excès, utiliser la commande à pulsations (Pulse).
7. **Attendre que la lame se soit immobilisée avant de retirer le couvercle.**

Traitement avec le disque pour trancher/hacher réversible et le disque pour hacher fin/à coupe ondulée réversible en option

- Pour trancher ou hacher du fromage, choisir un fromage ferme comme le cheddar, le monterey jack ou le suisse. Placer le fromage dans le congélateur pendant 30 minutes avant le traitement.
 - Le disque pour trancher/hacher réversible et le disque pour hacher fin/à coupe ondulée réversible sont dotés d'une lame à trancher d'un côté et de dents à hacher de l'autre.
- Placer le disque sur l'arbre du moteur avec la face correspondant à la coupe désirée vers le haut.
- Pour obtenir une julienne, trancher les légumes, les retirer du bol puis les remettre dans le robot. Bourrer la trémie en plaçant les tranches à la verticale. Trancher de nouveau pour obtenir des légumes coupés en bâtons d'allumettes.

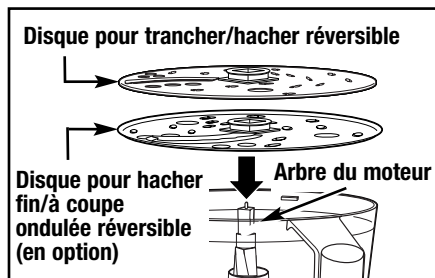
Accessoire en option

Il est possible de commander un disque pour hacher fin/à coupe ondulée réversible. Ce disque donne de l'intérêt aux aliments – les aliments peuvent être coupés grossièrement ou râpés finement, ce qui augmente leur variété.

Pour commander, appelez le :

1.800.851.8900 (USA) • 1.800.267.2826 (Canada)
ou bien, visitez le site Internet hamiltonbeach.com

1. S'assurer que le bouton de commande est à la position OFF (**O**) et que l'appareil est débranché.
2. Verrouiller le bol sur la base (voir la rubrique « Verrouillage du bol »).
3. Mettre le disque pour trancher/hacher réversible OU le disque pour hacher fin/à coupe ondulée réversible (en option) sur l'arbre du moteur, face correspondant à la coupe désirée vers le haut (trancher ou hacher).






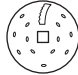
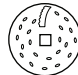
4. Verrouiller le couvercle sur le bol (voir la rubrique « Verrouillage du couvercle »).
5. Couper les aliments pour qu'ils passent dans la trémie. Fermelement la trémie de ces aliments et pousser les aliments dans la trémie à l'aide du poussoir. **Veiller à toujours utiliser le poussoir pour bourrer la trémie. NE JAMAIS POUSSER LES ALIMENTS DANS LA TRÉMIE AVEC LES MAINS.**
6. Brancher l'appareil et traiter la nourriture.
7. Choisir la vitesse. Tout en appuyant sur le poussoir, choisir LOW (1) (Basse) ou HIGH (2) (Élevée) ou PULSE (P) (Pulsations) pour traiter les aliments.
8. Lorsque la trémie est vide, choisir la position OFF (**O**) ou relâcher la commande PULSE (P). **Attendre que la lame se soit immobilisée avant de retirer le couvercle.**

Conseils et techniques d'opération

- Pour une consistance uniforme lorsqu'on coupe des aliments, laisser de l'espace dans le bol pour que l'aliment puisse se déplacer autour du bol.
 - Pour obtenir une texture consistante, les aliments doivent être coupés en cubes d'environ 1 pouce avant de les émincer ou couper avec la lame à couper/mélanger.
 - Ne pas préparer des purées ou écraser des légumes féculents comme des pommes de terre. Ces aliments seront trop traités en une seconde et deviendront gommeux.
 - Le temps de traitement dépendra de la quantité d'aliments à traiter. La plupart des aliments peuvent être tranchés, hachés ou râpés en quelques secondes. Ne pas faire fonctionner l'appareil pendant plus de 1 minute à la fois. Pour le traitement de grandes quantités, laisser l'appareil reposer environ 1 minute avant de continuer à l'utiliser.
 - Le bol peut contenir 2 tasses de liquide. Se référer aux tableaux de traitement des aliments pour d'autres capacités. Ne pas remplir à l'excès.
- NOTE :** Pour maintenir un rendement optimal et éviter d'abîmer ou ternir le bol, ne pas utiliser le robot dans les conditions suivantes :
- pour moulin des grains, des fèves de café ou des épices.
 - pour trancher de la viande surgelée ou broyer des glaçons.

Tableaux de traitement des aliments

Les disques sont réversibles et étiquetés. Les étiquettes doivent être orientées vers le haut pour obtenir le traitement qui y figure. Lorsqu'on utilise un disque, ne pas dépasser la ligne de remplissage maximum du bol.

ACCESSOIRES		ALIMENTS
Disque pour trancher (lame pour trancher vers le haut)		Concombres, pommes, champignons, carottes, patates, chou, fromages fermes
Disque à coupe ondulée (en option) (lame à trancher vers le haut)		
Lame à couper/mélanger		Hacher des noix, viande Émincer, purée des légumes, fruits
Disque pour hacher (dents pour hacher vers le haut)		Légumes, fromage
Disque pour hacher finement		

Pour les meilleurs résultats, ne pas dépasser les quantités suivantes si l'on utilise **la lame à couper/mélanger pour hacher**, émincer ou réduire en purée les aliments.

ALIMENTS	QUANTITÉ MAXIMALE
Fruits et légumes	1 livre ou 2 à 3 tasses
Viandes	16 onces ou 2 tasses, en cubes
Fromage Parmesan ou Romano	5 onces, en cubes
Fromage cheddar, jack ou mozzarella	8 onces, en cubes
Craquelins	10 tasses (peut remplir le bol et se dissimuler dans la trémie)

Nettoyage

1. Débranchez votre appareil de la prise électrique.
2. Laver le bol, le couvercle, la lame, les disques et le poussoir dans l'eau chaude savonneuse. Rincer et sécher à fond. Ces composants vont aussi sur le panier supérieur du lave-vaisselle.

NOTE : Ne pas ranger le robot culinaire avec le couvercle dans la position verrouillée à cause de la pression qui serait exercée sur la languette de blocage.

3. Essuyer la base, le panneau de commande et le cordon à l'aide d'un chiffon ou d'une éponge humide. Pour faire disparaître les saletés tenaces, utiliser un nettoyeur doux non abrasif.

AVERTISSEMENT

Risque d'électrocution

- Débrancher le cordon d'alimentation avant le nettoyage.
- Ne pas immerger le cordon, la fiche ou la base dans quelque liquide que ce soit.

L'omission d'observer ces directives peut entraîner l'électrocution, voire le décès.

4. Pour le rangement, placer le bol sur la base. Placer ensuite sur l'arbre du moteur la lame à couper/mélanger et le disque pour trancher/hacher. Placer le couvercle sur le bol mais sans le verrouiller.

Petites pannes et solutions

Avant de téléphoner au numéro de service à la clientèle de Hamilton Beach/Proctor Silex, Inc., vérifiez soigneusement la liste ci-dessous pour une solution possible à votre question.

PROBLÈME POTENTIEL	CAUSE/SOLUTION PROBABLE
L'appareil ne fonctionne sur aucune vitesse ni sur Pulse.	<ul style="list-style-type: none"> • Est-ce que le bol et le couvercle sont bien verrouillés en place? Voir « Assemblage ».
L'aliment n'est pas tranché ou râpé uniformément.	<ul style="list-style-type: none"> • L'empilement excessif des aliments dans la trémie ou un appui trop fort sur le poussoir peut causer aux aliments traités d'être tranchés ou râpés irrégulièrement. • Utilisez-vous la vitesse recommandée? Voir « Tableau de traitement des aliments ».
L'appareil s'arrête et ne se remet pas en marche.	<ul style="list-style-type: none"> • Est-ce que le bol, le couvercle du bol et le couvercle de la trémie sont tous en place? Ils peuvent avoir bougé légèrement durant l'opération. Voir « Utilisation ». • La prise de courant fonctionne-t-elle encore? La vérifier en branchant une lampe ou un autre appareil ménager. Vous pouvez avoir surchargé le circuit et grillé le fusible ou déclenché le disjoncteur. <p>Si aucune de ces suggestions ne corrige le problème, NE PAS essayer de réparer l'appareil. Téléphoner au numéro de service à la clientèle de Hamilton Beach/Proctor-Silex pour obtenir le nom de votre centre de service autorisé le plus proche.</p>
L'appareil dégage une odeur de brûlé.	<ul style="list-style-type: none"> • Il peut rester un résidu sur le moteur provenant de sa fabrication, ce qui cause une légère odeur au cours de l'utilisation initiale. Cette odeur disparaîtra. Si une odeur forte ou toute fumée visible apparaît, débrancher l'appareil IMMÉDIATEMENT et composer le numéro de service à la clientèle de Hamilton Beach/Proctor-Silex.

Service aux clients

Si vous avez une question au sujet du robot culinaire, composer notre numéro sans frais d'interurbain de service aux clients. Avant de faire un appel, veuillez noter les numéros de modèle, de type et de série ci-dessous. Ces numéros se trouvent sous le robot culinaire. Ces renseignements nous aideront à répondre beaucoup plus vite à toute question.

MODÈLE : _____ **TYPE :** _____ **SÉRIE :** _____

Cette garantie s'applique aux produits achetés aux É.-U. ou au Canada.

GARANTIE LIMITÉE

Ce produit est garanti contre tout vice de main-d'œuvre ou de matériau pendant une période d'un (1) an pour les produits Hamilton Beach et cent quatre-vingt (180) jours pour les produits Proctor Silex et Traditions, à partir de la date de son achat original, à l'exception des modalités suivantes. Pendant cette période, nous réparerons ou nous remplacerons ce produit à notre choix, gratuitement. LA PRÉSENTE GARANTIE REMPLACE TOUTE AUTRE GARANTIE OU CONDITION, QU'ELLE SOIT EXPRESSE OU IMPLICITE, ÉCRITE OU ORALE, Y COMPRIS, SANS S'Y LIMITER, TOUTE GARANTIE STATUTAIRE OU DE QUALITÉ MARCHANDE OU DE CONVENANCE À UN USAGE PARTICULIER. TOUTE RESPONSABILITÉ EST EXPRESSÉMENT LIMITÉE À UN MONTANT ÉGAL AU PRIX D'ACHAT PAYÉ, ET TOUTE RÉCLAMATION POUR DOMMAGE SPÉCIAL, INCIDENT ET CONSÉQUENT EST PAR LA PRÉSENTE EXCLUE. Il n'y a pas de garantie à l'égard des articles suivants qui sont sujet à usure, qui peuvent être fournis avec ce produit, y compris, sans s'y limiter : pièces en verre, contenants en verre, couteaux/tamis, lames, joints, joints d'étanchéité, embrayages, brosses à moteur et/ou agitateurs, etc. Cette garantie ne s'étend qu'au consommateur acheteur initial et ne couvre pas une panne due à une mauvaise utilisation, un mauvais traitement, de la négligence, y compris l'absence de nettoyer le produit régulièrement conformément aux instructions du fabricant, utilisation à des fins commerciales ou tout usage non conforme aux instructions imprimées. Cette garantie vous donne des droits juridiques particuliers et vous pouvez avoir également d'autres droits juridiques qui varient selon l'État ou selon la province. Certains États ou provinces ne permettent pas de limite sur les garanties impliquées sur les dommages incidents, consécutifs ou spéciaux et par conséquent les limites ci-dessus peuvent ne pas s'appliquer à vous.

Si vous avez une réclamation sous cette garantie, NE RENVOYEZ PAS L'APPAREIL AU MAGASIN. Veuillez appeler LE NUMÉRO DE SERVICE À LA CLIENTÈLE (pour un service plus rapide, veuillez préparer les numéros de modèle, de série et de type pour permettre à la standardiste de vous aider).

NUMÉROS DU SERVICE À LA CLIENTÈLE

Aux États-Unis 1-800-851-8900

Au Canada 1-800-267-2826

hamiltonbeach.com • proctorsilex.com

CONSERVEZ CES NUMÉROS POUR RÉFÉRENCE ULTÉRIEURE !

⚠️ ADVERTENCIA

Peligro de choque eléctrico

- No sumerja este aparato en agua u otro líquido.
- Este aparato cuenta con un enchufe polarizado (una pata más ancha) que reduce el riesgo de choque eléctrico. El enchufe calza únicamente en una dirección dentro del tomacorriente polarizado. No trate de obviar el propósito de seguridad del enchufe al tratar de modificarlo de alguna manera o al usar un adaptador. Si el enchufe no calza, inviértalo. Si aún así no calza, llame a un electricista para que reemplace el tomacorriente.

SALVAGUARDIAS IMPORTANTES

Cuando se están utilizando artefactos eléctricos deben seguirse ciertas precauciones básicas, entre las que se incluyen las siguientes:

1. Lea y guarde todas las instrucciones.
2. Verifique que el voltaje de su instalación corresponda con el del producto.
3. Si el cable de suministro de energía está dañado, debe ser reemplazado por el fabricante, su agente de servicio u otra persona similarmente calificada para evitar un peligro.
4. Para protegerse de los choques eléctricos, nunca sumerja la base, el motor, el cable o el enchufe en agua o en algún otro líquido.
5. Cuando los niños estén cerca de cualquier artefacto eléctrico o lo estén usando, es necesario una supervisión muy estricta.
6. Este aparato no debe ser usado por niños.
7. Desconecte el cable del tomacorriente cuando no lo esté usando, antes de agregar o quitar componentes y antes de limpiarlo.
8. Evite el contacto con los componentes móviles.
9. No permita el funcionamiento de ningún artefacto eléctrico que tenga el cable o el enchufe dañado o después de que el artefacto ha fallado o se ha caído o dañado de alguna manera. Llame a nuestro número gratuito de asistencia al cliente para obtener información o un examen, reparación o ajuste de tipo eléctrico o mecánico.
10. El uso de accesorios no recomendados ni vendidos por Hamilton Beach/Proctor-Silex, Inc. puede causar incendio, choque eléctrico o lesiones.
11. No use su procesador de alimentos si tiene partes rotas.
12. No use este aparato al aire libre.
13. No permita que el cable cuelgue por fuera del borde de una mesa o de un mostrador o que esté en contacto con superficies calientes.
14. Nunca agregue los alimentos por la tolva de alimentos usando las manos. Siempre utilice el empujador de alimentos.
15. La cuchilla y el disco están muy afilados. Manéjelos con cuidado. Guárdelos fuera del alcance de los niños.
16. Antes de quitar la tapa, cerciórese que el disco o la cuchilla se han detenido totalmente.
17. Cerciórese que la tapa esté asegurada firmemente en su sitio antes de poner a funcionar el artefacto eléctrico.
18. Para reducir el riesgo de lesiones, nunca coloque la cuchilla o los discos en la base sin que el tazón esté firmemente colocado en su sitio.
19. Mientras esté procesando los alimentos, mantenga las manos y los utensilios fuera del alcance de la cuchilla y disco para evitar el riesgo de lesiones personales muy severas y/o daños a su procesador. Se puede utilizar una espátula de hule pero SOLAMENTE cuando no esté funcionando el procesador.
20. No intente interferir con el mecanismo de seguridad de cierre de la tapa.
21. Para reducir el riesgo de lesiones, cerciórese de insertar o quitar la cuchilla y el disco utilizando las ranuras para los dedos que se han provisto con este objeto. Siempre tenga mucho cuidado cuando quite la cuchilla y el disco del tazón, cuando esté vaciando el tazón y cuando lo esté lavando.
22. Asegúrese de colocar el interruptor en la posición apagado (OFF/O) después de cada uso. Siempre use el empujador para despejar los restos de comida que hayan quedado en la tolva. Cuando no sea posible limpiarlos de esta forma, apague el motor, desconecte el cable del tomacorriente y desarme la unidad para retirar todos los restos de comida.
23. Este aparato no ha sido diseñado para aplicaciones comerciales, profesionales o industriales. Ha sido diseñado y construido exclusivamente para uso doméstico.
24. Nunca use el aparato por un período más largo o con mayores cantidades de ingredientes de las recomendadas por Hamilton Beach/Proctor-Silex, Inc.

25. No lo coloque sobre o cerca de un quemador caliente a gas o eléctrico o en un horno caliente.

26. No use este aparato en ninguna otra aplicación que no sea la designada.

¡GUARDE ESTAS INSTRUCCIONES!

Información de seguridad para el usuario

Este artefacto debe utilizarse únicamente en un entorno doméstico.

Para evitar una sobrecarga en los circuitos eléctricos, no utilice algún otro artefacto eléctrico de potencia elevada en el mismo circuito que su procesador de alimentos.

El largo del cable que se utiliza con este artefacto fue elegido para reducir los riesgos de enredarse o de tropezarse con un cable más largo.

Si se necesita un cable más largo, se puede usar una extensión eléctrica siempre que esté clasificada a una capacidad igual o mayor que su procesador de alimentos. Se debe tener cuidado de arreglar el cable de extensión para que no cuelgue de la mesa o mostrador donde puede ser jalado por los niños o se pueda tropezar con él accidentalmente.

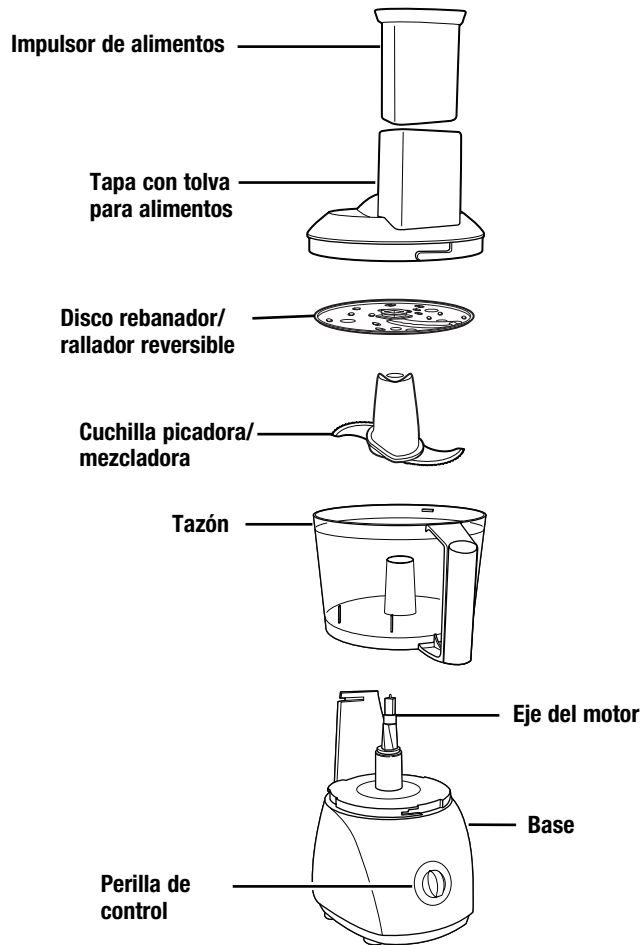
Este disco hace las comidas más interesantes: los alimentos pueden tener un corte ondulado o un rallado muy fino para agregar variedad.

Antes del primer uso

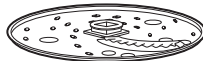
Saque el procesador de su envoltura. Tenga cuidado con la cuchilla para picar/mezclar y el disco rebanador/rallador ya que están muy afilados.

Lave todas las piezas, excepto la base, en agua jabonosa caliente. Enjuague y luego seque. Estas piezas también se pueden lavar en el lavavajillas.

Piezas y características



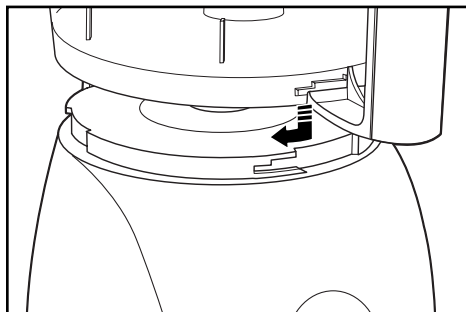
Accesorio opcional
Disco de rallado fino/corte rebanado con ondas reversible



Para solicitar llama al:
1.800.851.8900 (EE.UU.)
1.800.71.16.100 (México)
hamiltonbeach.com

Cómo usar su procesador de alimentos

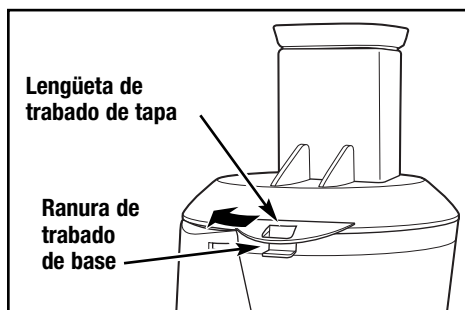
Cómo trabar el tazón



Alinee el tazón y la base como se muestra. Gire el tazón en dirección de las agujas del reloj hasta que se traben en posición.

NOTA: El procesador de alimentos no funcionará a menos que el tazón esté trabado en su lugar.

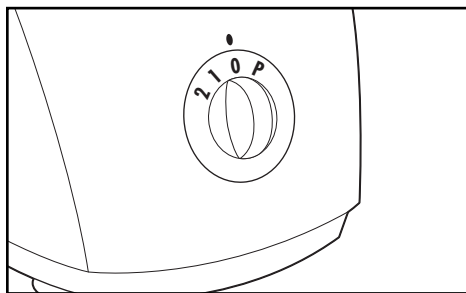
Cómo trabar la tapa



Alinee la tapa como se muestra coloque la tapa en el tazón y gírela en el sentido de las agujas del reloj hasta que se traben en posición.

NOTA: El procesador de alimentos no funcionará a menos que la tapa esté trabada.

Cómo operar los controles



Gire la perilla para seleccionar una velocidad:

1 = LOW (baja)

2 = HIGH (alta)

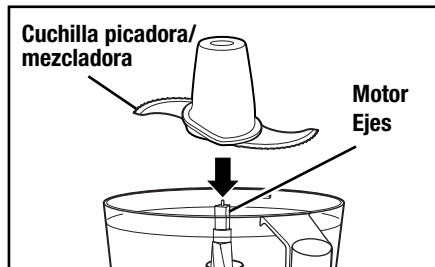
El procesador funcionará de manera continua.

Para un control de encendido y apagado instantáneos, utilice el botón PULSE (P).

Cómo procesar con la cuchilla picadora/mezcladora

La cuchilla picadora/mezcladora puede utilizarse para picar en trozos grandes, moler muy fino, mezclar o hacer puré con una consistencia homogénea.

1. Verifique que la Perilla de control se encuentre en la posición OFF (apagado) (O) y que la unidad esté desenchufada.
2. Trabe el tazón a la base (ver “Cómo trabar el tazón”).
3. Coloque la cuchilla picadora/mezcladora en el eje del motor del procesador de alimentos en el centro del tazón. Gire lentamente hasta que la cuchilla caiga en su lugar. Manéjela con cuidado; la cuchilla es filosa.



4. Coloque los alimentos en el tazón.
5. Trabe la tapa en el tazón (ver “Cómo trabar la tapa”). Empuje el impulsor de la tolva para alimentos.
6. Enchufe la unidad y procese los alimentos. La velocidad y el tiempo de procesamiento determinarán la consistencia final de los alimentos. El botón Pulse puede ayudarlo a evitar el excesivo procesamiento.
7. **Espere hasta que la cuchilla haya parado de girar antes de quitar la tapa.**

Cómo procesar con el disco rebanador/rallador reversible y el disco de rallado fino rebanado con ondas reversible opcional

- Para rebanar o rallar queso, utilice quesos duros como cheddar, Monterey jack o suizo. Coloque el queso en el freezer durante 30 minutos antes de procesar.
- El disco rebanador/rallador reversible y el disco de rallado fino rebanado con ondas reversible opcional poseen una cuchilla rebanadora en un lado y dientes ralladores en el otro. Coloque en el eje del motor con el borde de corte deseado hacia arriba.
- Para cortar alimentos en juliana, rebane y luego quite el tazón y vuelva a cargar los vegetales. Coloque en la tolva con las rebanadas en forma vertical. Rebane de nuevo para obtener vegetales con forma de palitos.

Accesorio opcional

Se puede solicitar un disco de rallado fino/corte ondulado reversible. Este disco hace las comidas más interesantes: los alimentos pueden tener un corte ondulado o un rallado muy fino para agregar variedad.

Para realizar pedidos llame al:

1.800.851.8900 (EE.UU.) • 01.800.71.16.100 (México)

o visite hamiltonbeach.com

1. Verifique que la Perilla de control se encuentre en la posición OFF (apagado) (O) y que la unidad esté desenchufada.
2. Trabe el tazón a la base (ver “Cómo trabar el tazón”).
3. Coloque el disco rebanador/rallador reversible O el disco de rallado fino rebanado con ondas reversible en el eje del motor con el lado deseado hacia arriba para poder rebanar o rallar.



4. Trabe la tapa en el tazón (ver “Cómo trabar la tapa”).
5. Corte los alimentos para que entren en la tolva. Llene bien la tolva con alimentos. Empuje los alimentos a través de la tolva con el impulsor de alimentos. **Siempre use el impulsor de alimentos para introducirlos en la tolva. NUNCA INTRODUZCA ALIMENTOS A TRAVÉS DE LA TOLVA CON SUS MANOS.**
6. Enchufe la unidad y procese los alimentos.
7. Seleccione la velocidad. Mientras presione el impulsor de alimentos, seleccione LOW (baja) (1) o HIGH (alta) (2) o PULSE (P) para procesar los alimentos.
8. Cuando la tolva de alimentos esté vacía, seleccione OFF (apagado) o libere de la posición PULSE (P). **Espere hasta que la cuchilla haya parado de girar antes de quitar la tapa.**

Consejos y técnicas para el procesamiento

- Para obtener una consistencia uniforme cuando esté picando, deje espacio en el tazón para que el alimento pueda dar vueltas.
 - Para lograr una textura homogénea, los alimentos deben cortarse en cubos de 1 pulgada antes de moler o cortar con la cuchilla picadora/mezcladora.
 - No haga puré ni pise verduras de fécula como papas. Se procesarán demasiado en un segundo y se volverán gomosas.
 - El tiempo de operación dependerá de la cantidad de alimento que se esté procesando. La mayoría de los alimentos se pueden rebanar, picar o rallar en unos segundos. No opere el procesador por más de un minuto a la vez. Si está procesando cantidades grandes, deje que el aparato descanse un minuto antes de continuar.
 - El tazón puede contener 2 tazas de líquido. Ver las Tablas de procesamiento de alimentos para otras capacidades. No llene de más.
- NOTA:** Para mantener un desempeño máximo, y para prevenir que el tazón se manche u oscurezca, no utilice el procesador de alimentos para:
- moler granos, granos de café o especias
 - rebanar carne congelada, o triturar hielo.

Guía para solucionar problemas

Antes de llamar al número de servicio al cliente de Hamilton Beach/Proctor-Silex, Inc. revise con cuidado la lista siguiente para encontrar una posible solución a su pregunta.

PROBLEMA POTENCIAL	CAUSA PROBABLE/SOLUCIÓN
La unidad no funciona en ninguna velocidad ni posición de pulso (Pulse).	<ul style="list-style-type: none"> • ¿Están trabados en su lugar el tazón y la tapa? Vea “Cómo usar”.
Los alimentos no están picados, rebanados o rallados de manera homogénea.	<ul style="list-style-type: none"> • Amontonar demasiada comida en la tolva de alimentos o empujar muy fuerte con el empujador de alimentos puede provocar que la comida procesada esté irregularmente rebanada o rallada. • ¿Está usando la velocidad recomendada? Vea “Cuadros de procesamiento de alimentos”.
La unidad se detiene y no se vuelve a poner en marcha.	<ul style="list-style-type: none"> • ¿Están el tazón, tapa del tazón y tapa de la tolva de alimentos seguros en su lugar? Es posible que se hayan movido ligeramente durante el procesamiento. Vea “Cómo usar”. • ¿Todavía funciona el tomacorriente? Revise conectando una lámpara que funcione o cualquier otro electrodoméstico. Es posible que haya sobrecargado el circuito y quemado un fusible o disparado el cortacircuitos. <p>Si ninguna de estas sugerencias soluciona el problema, NO INTENTE reparar la unidad. Llame al número de servicio al cliente de Hamilton Beach/Proctor-Silex.</p>
La unidad tiene olor a quemado.	<ul style="list-style-type: none"> • Es posible que haya un residuo en el motor del proceso de fabricación que provoca un leve olor durante el uso inicial. Esto desaparecerá. Si aparece un olor fuerte o cualquier señal visible de humo, desenchufe la unidad INMEDIAMENTE y llame al número de servicio al cliente de Hamilton Beach/Proctor-Silex.

Limpieza

1. Desenchufe el procesador de alimentos del tomacorriente.
1. Limpie el tazón, tapa, cuchilla, discos e impulsor de alimentos en agua caliente jabonosa. Enjuague y seque por completo. Estas piezas también pueden lavarse en el estante superior del lavavajillas.

NOTA: No almacene el procesador de alimentos con la tapa en la posición de trabado, ya que se puede ejercer presión en la lengüeta de trabado.

2. Limpie la base, el panel de control y el cable con un paño húmedo o esponja. Para quitar suciedad rebelde, utilice un limpiador suave y no abrasivo.

! ADVERTENCIA

Peligro de descarga eléctrica

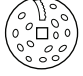




- Desconecte la energía antes de limpiar.
- No sumerja el cable, el enchufe o la base en ningún líquido.

No seguir estas instrucciones puede provocar la muerte o una descarga eléctrica.

4. Para almacenar, coloque el tazón en la base. Luego coloque sobre el eje del motor, la cuchilla picadora/mezcladora, y el disco rebanador/rallador. Coloque la tapa sobre el tazón pero no trabe.

Tablas de procesamiento de alimentos

Los accesorios de discos son reversibles y cuentan con etiquetas. Estas etiquetas deben estar hacia arriba para poder obtener la función deseada. Cuando utilice accesorios de discos, no procese por encima de la línea de llenado máximo del tazón.

ACCESORIO	ALIMENTOS
Disco rebanador (cuchilla rebanadora hacia arriba) 	Pepinos, manzanas, hongos, zanahorias, papas, repollo, quesos duros
Disco de rebanado con ondas opcional (cuchilla rebanadora hacia arriba) 	
Cuchilla picadora/mezcladora 	Picar frutas secas, carne Picar, hacer puré vegetales, frutas
Disco rallador (dientes ralladores hacia arriba) 	Vegetales, queso
Disco de rallado fino opcional (dientes ralladores hacia arriba) 	

Para mejores resultados, no supere las siguientes cantidades cuando pique, muele o haga puré con **la cuchilla picadora/mezcladora**.

ALIMENTO	CANTIDAD MÁXIMA
Frutas y vegetales	1 libra o 2 o 3 tazas
Carnes	16 onzas o 2 tazas, en cubos
Queso Parmesano o Romano	5 onzas, en cubos
Queso Cheddar, Jack o Mozzarella	8 onzas, en cubos
Galletas	10 tazas (puede llenar el tazón y cubrir la tolva)

Hamilton Beach**Proctor Silex**

Grupo HB PS, S.A. de C.V.
 Monte Elbruz No. 124 Int. 601
 Col. Palmitas Polanco
 México, D.F. C.P. 11560
 Tel. 52 82 31 05 y 52 82 31 06
 Fax. 52 82 3167

PÓLIZA DE GARANTÍA

PRODUCTO:		MARCA:	Hamilton Beach: <input type="checkbox"/> Proctor-Silex: <input type="checkbox"/>	MODELO:	
<p>Hamilton Beach/Proctor-Silex cuenta con una Red de Centros de Servicio Autorizada, por favor consulte en la lista anexa el nombre y dirección de los establecimientos en la República Mexicana en donde usted podrá hacer efectiva la garantía, obtener partes, componentes, consumibles y accesorios; así como también obtener servicio para productos fuera de garantía. Para mayor información llame sin costo: Centro de Atención al consumidor: 01 800 71 16 100</p>					
<p>Grupo HB PS, S.A. de C.V. le otorga a partir de la fecha de compra: GARANTÍA DE 1 AÑO.</p>					
COBERTURA					
<ul style="list-style-type: none"> • Esta garantía ampara, todas las piezas y componentes del producto que resulten con defecto de fabricación incluyendo la mano de obra. • Grupo HB PS, S.A. de C.V. se obliga a reemplazar, reparar o reponer, cualquier pieza o componente defectuoso; proporcionar la mano de obra necesaria para su diagnóstico y reparación, todo lo anterior sin costo adicional para el consumidor. • Esta garantía incluye los gastos de transportación del producto que deriven de su cumplimiento dentro de su red de servicio. 					
LIMITACIONES					
<ul style="list-style-type: none"> • Esta garantía no ampara el reemplazo de piezas deterioradas por uso o por desgaste normal, como son: cuchillas, vasos, jarras, filtros, etc. • Grupo HB PS, S.A. de C.V. no se hace responsable por los accidentes producidos a consecuencia de una instalación eléctrica defectuosa, ausencia de toma de tierra, clavija de enchufe en mal estado, etc. 					
EXCEPCIONES					
<p>Esta garantía no será efectiva en los siguientes casos:</p> <ol style="list-style-type: none"> a) Cuando el producto se hubiese utilizado en condiciones distintas a las normales. (Uso industrial, semi-industrial o comercial.) b) Cuando el producto no hubiese sido operado de acuerdo con el instructivo de uso. c) Cuando el producto hubiese sido alterado o reparado por personas no autorizadas por Grupo HB PS, S.A. de C.V. el fabricante nacional, importador o comercializador responsable respectivo. <p>El consumidor puede solicitar que se haga efectiva la garantía ante la propia casa comercial donde adquirió su producto, siempre y cuando Grupo HB PS, S.A. de C.V. no cuente con talleres de servicio.</p>					

PROCEDIMIENTO PARA HACER EFECTIVA LA GARANTÍA

- Para hacer efectiva la garantía no deben exigirse mayores requisitos que la presentación del producto y la póliza correspondiente, debidamente sellada por el establecimiento que lo vendió.
- Para hacer efectiva la garantía, lleve su aparato al Centro de Servicio Autorizado más cercano a su domicilio (consulte la lista anexa).
- Si no existe Centro de Servicio Autorizado en su localidad siga las siguientes instrucciones:
 1. Empaque su producto adecuadamente para que no se dañe durante el traslado.
 2. Anote claramente sus datos y los del Centro de Servicio al que está enviando el producto.
 3. No incluya partes sueltas ni accesorios para evitar su pérdida.
- El tiempo de reparación, en ningún caso será mayor de 30 días naturales contados a partir de la fecha de recepción del producto en nuestros Centros de Servicio Autorizados.
- En caso de que el producto haya sido reparado o sometido a mantenimiento y el mismo presente deficiencias imputables al autor de la reparación o del mantenimiento dentro de los treinta días naturales posteriores a la entrega del producto al consumidor, éste tendrá derecho a que sea reparado o mantenido de nuevo sin costo alguno. Si el plazo de la garantía es superior a los treinta días naturales, se estará a dicho plazo.
- El tiempo que duren las reparaciones efectuadas al amparo de la garantía no es computable dentro del plazo de la misma. Cuando el bien haya sido reparado se iniciará la garantía respecto de las piezas repuestas y continuará con relación al resto. En el caso de reposición del bien deberá renovarse el plazo de la garantía.

DÍA ___ MES ___ AÑO ___

Si desea hacer comentarios o sugerencias con respecto a nuestro servicio o tiene alguna queja derivada de la atención recibida en alguno de nuestros Centros de Servicio Autorizados, por favor dirigirse a:

**GERENCIA INTERNACIONAL DE SERVICIO
(DIMIALSA)**

Prol. Av. La Joya s/n. Esq. Av. San Antonio
Col. El Infiernillo C.P. 54878
Cuautitlán, Edo de México
Tel. (55) 58 99 62 42 • Fax. (55) 58 70 64 42
Centro de Atención al consumidor: 01 800 71 16 100

RED DE CENTROS DE SERVICIO AUTORIZADA GRUPO HB PS, S.A. DE C.V.

Distrito Federal

ELECTRODOMÉSTICOS
Av. Plutarco Elías Calles No. 1499
Zacahuitzco MEXICO 09490 D.F.
Tel: 01 55 5235 2323
Fax: 01 55 5243 1397

CASA GARCIA
Av. Patriotismo No. 875-B
Mixcoac MEXICO 03910 D.F.
Tel: 01 55 5563 8723
Fax: 01 55 5615 1856

Nuevo Leon

FERNANDO SEPULVEDA REFACCIONES
Ruperto Martínez No. 238 Ote.
Centro MONTERREY, 64000 N.L.
Tel: 01 81 8343 6700
Fax: 01 81 8344 0486

Jalisco

**REF. ECONÓMICAS DE OCCIDENTE,
S.A. DE C.V.**
Garibaldi No. 1450
Ladrón de Guevara
GUADALAJARA 44660 Jal.
Tel: 01 33 3825 3480
Fax: 01 33 3826 1914

Chihuahua

DISTRIBUIDORA TURMIX
Av. Paseo Triunfo de la Rep. No. 5289 Local 2 A.
Int. Hipermart
Alamos de San Lorenzo
CD. JUAREZ 32340 Chih.
Tel: 01 656 617 8030
Fax: 01 656 617 8030

Modelos:	Tipo:	Características Eléctricas:		
70670	FP14	120 V~	60 Hz	525 W
70610	FP14	120 V~	60 Hz	500 W

HAMILTON BEACH  PROCTOR-SILEX, INC.

263 Yadkin Road, Southern Pines, NC 28387

PROCTOR-SILEX CANADA, INC.

Picton, Ontario K0K 2T0

hiltonbeach.com • proctorsilex.com
hiltonbeach.com.mx • proctorsilex.com.mx

840154700

12/06