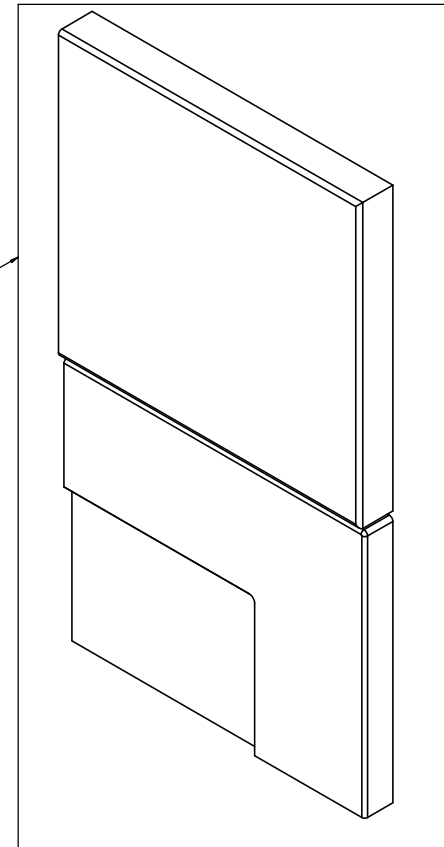
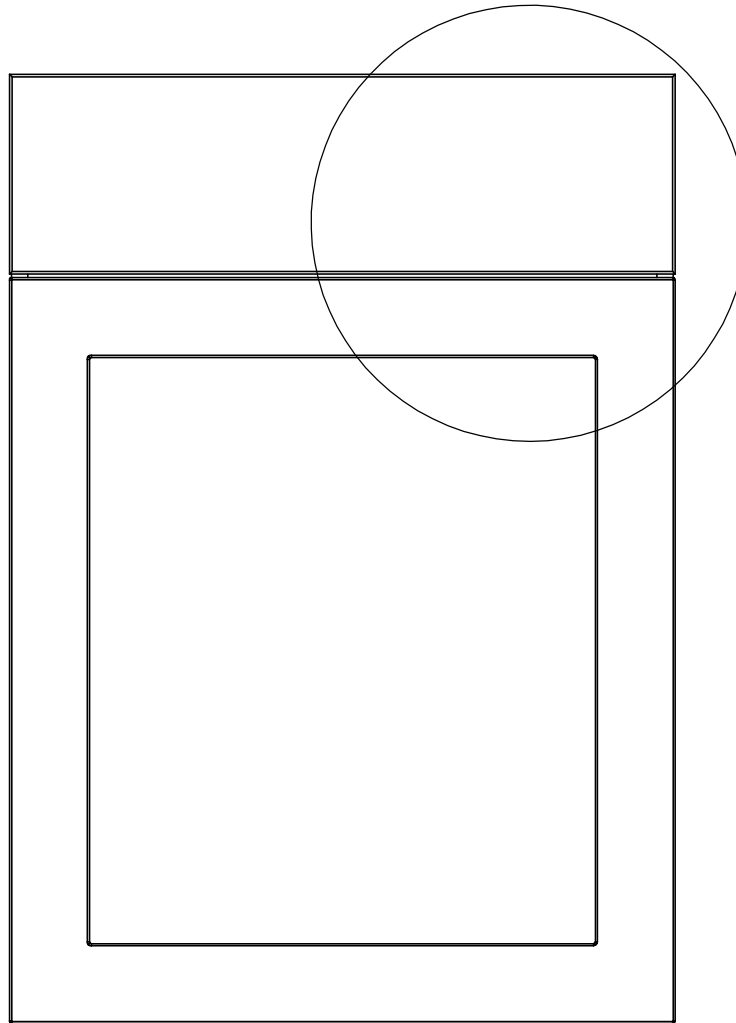



Item ID	Front Thickness [in] mm	Door Thickness [in] mm
CM2135B-WH	[.63] 16	[.63] 16

This profile belongs to CM2135B-WH

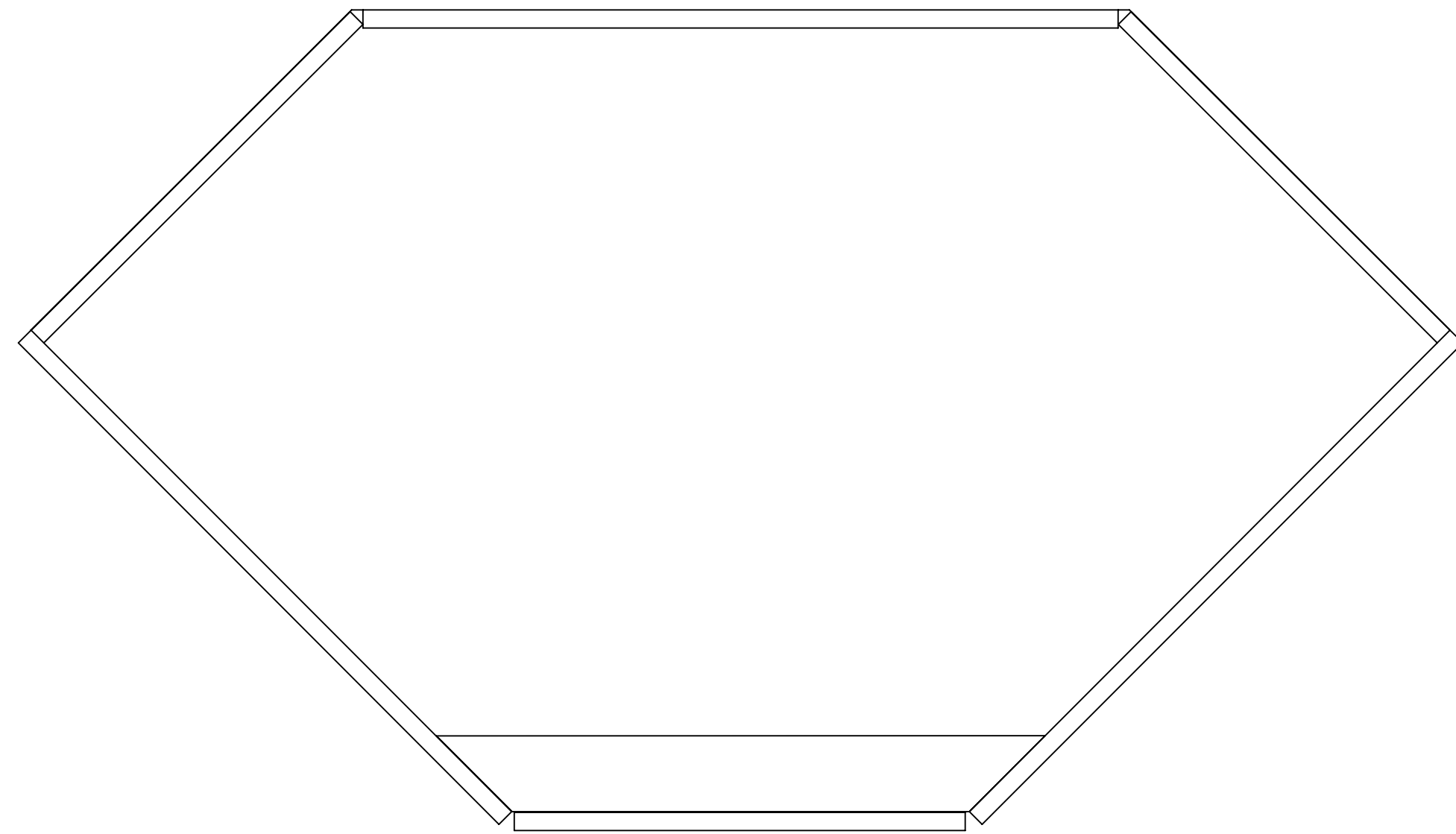


Detailed View

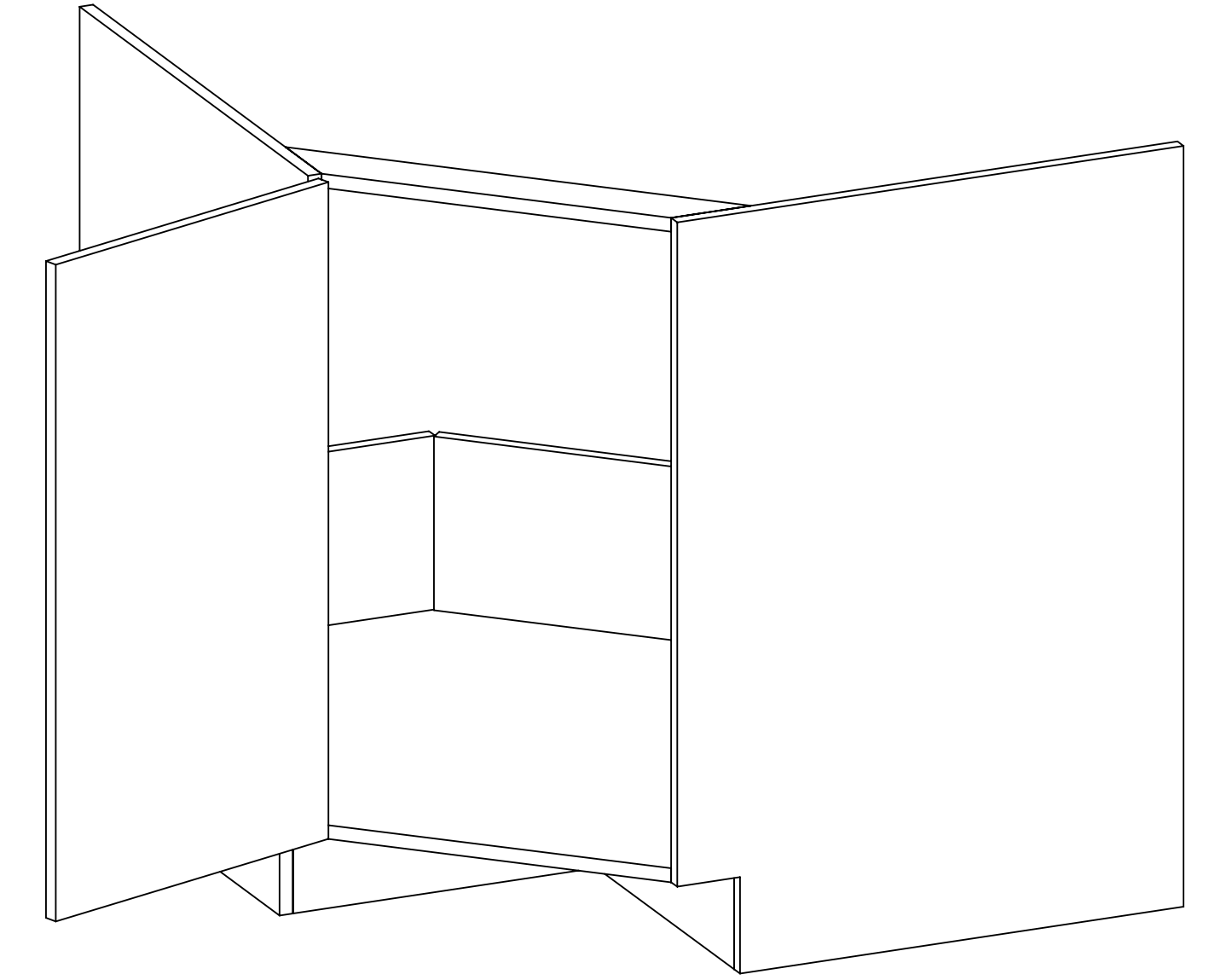
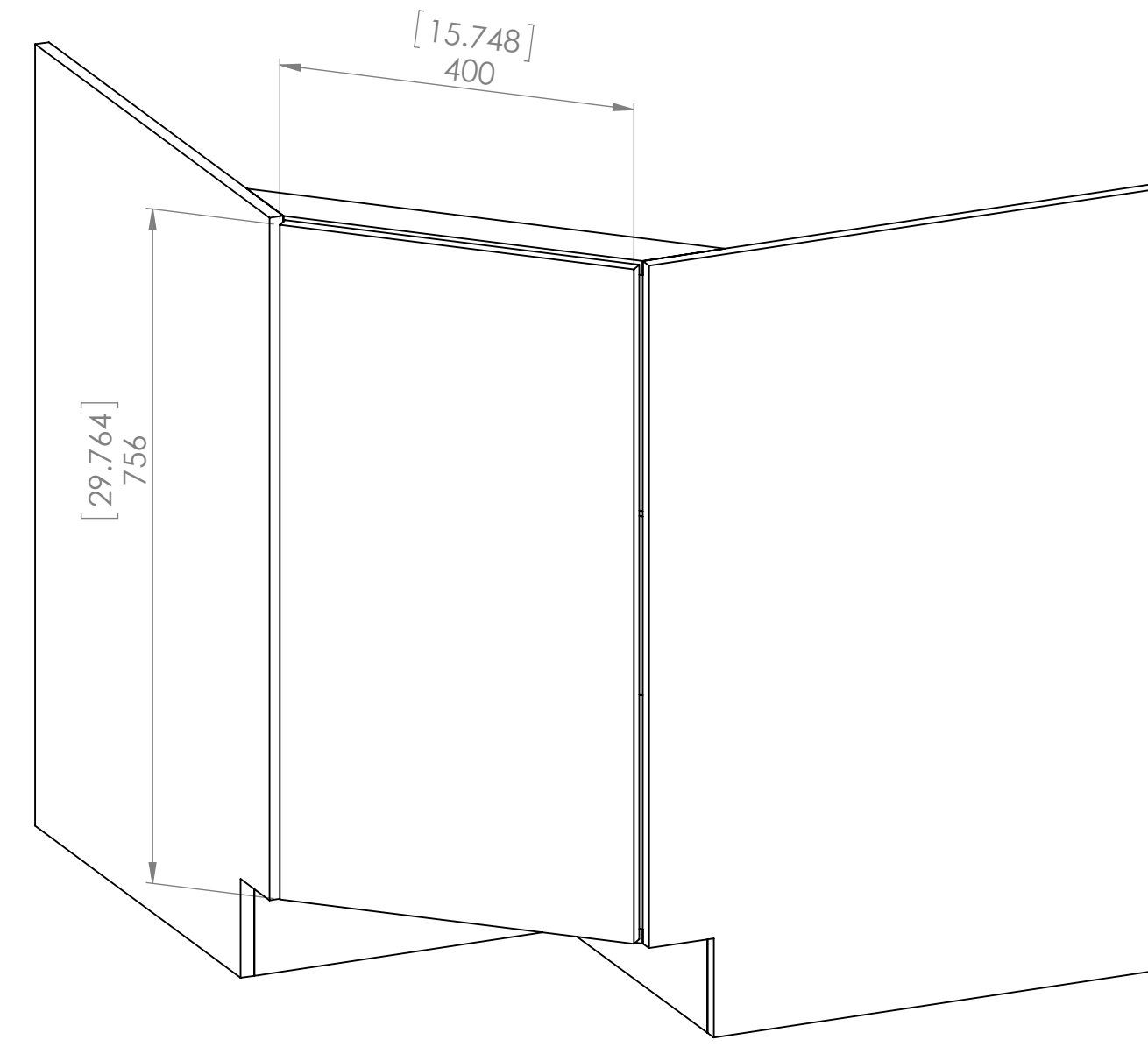
Profile: Cambridge White & Kitchen Gray	
<small>PROPRIETARY AND CONFIDENTIAL</small> THE INFORMATION CONTAINED IN THIS DRAWING IS THE SOLE PROPERTY OF WOODCRAFTERS. ANY REPRODUCTION IN PART OR AS A WHOLE WITHOUT THE WRITTEN PERMISSION OF WOODCRAFTERS IS PROHIBITED.	<small>UNLESS OTHERWISE SPECIFIED</small> DIMENSIONS ARE IN MM AND [INCHES] TOLERANCES ARE +.039[1]-.039[1] SCALE:1:2
	

Item ID	Shelf Thickness [in] mm	Shelf Length and Width [in] mm	Depth [in]
CM3635C-KG	N/A	N/A	24.5
BT3635C-RC			24.6
BT3635C-WH			24.5
CM3635C-DK			24.6
CM3635C-WH			24.5

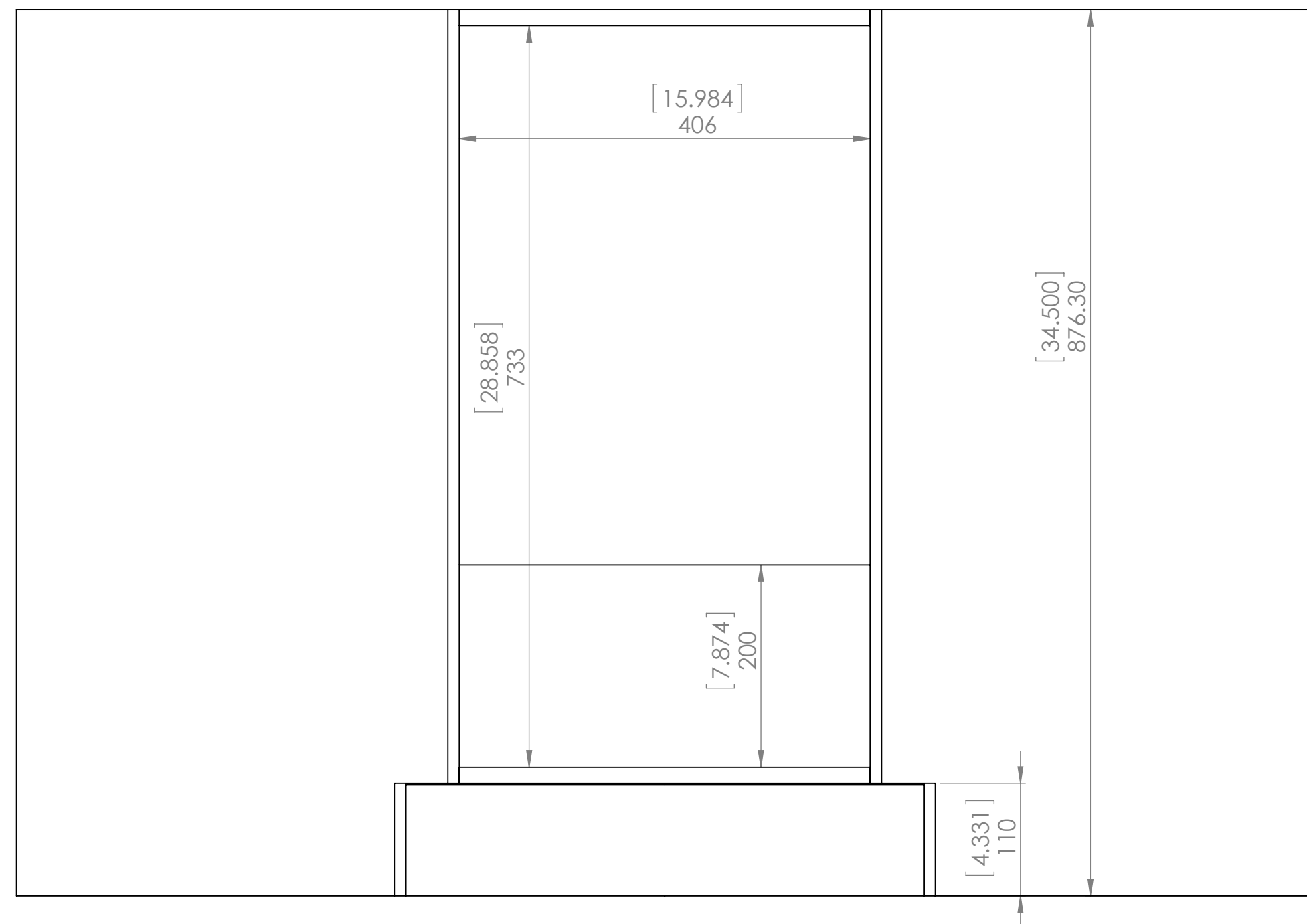
Description					
Corner Sink Base Cabinet					
REV	ECO#	Description	REV'D BY DATE	CHK'D BY DATE	APRV'D BY DATE
0		Release	ASG 3/4/18	ASG 3/4/18	ASG 3/4/18



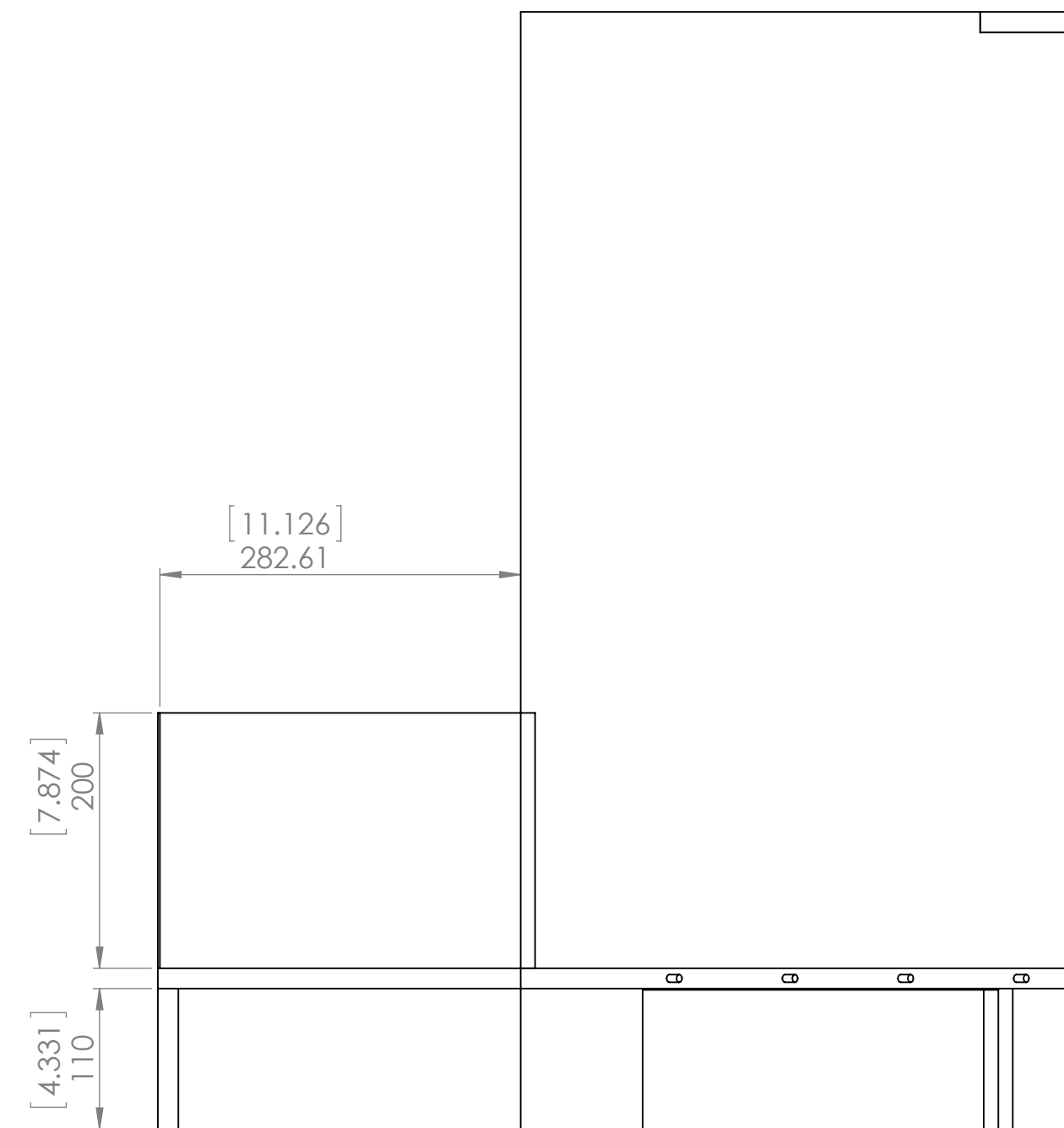
Top View




Isometric View



Front View
(front door removed)



Side View
(left panel removed)

NAME	DATE	MATERIAL:	
DRAWN Adrian Salinas	3/4/18		
CHK'D Adrian Salinas	3/4/18		
APPV'D Adrian Salinas	3/4/18		
MFG		WEIGHT:	
PROPRIETARY AND CONFIDENTIAL THE INFORMATION CONTAINED IN THIS DRAWING IS THE SOLE PROPERTY OF WOODCRAFTERS. ANY REPRODUCTION IN PART OR AS A WHOLE WITHOUT THE WRITTEN PERMISSION OF WOODCRAFTERS IS PROHIBITED.		UNLESS OTHERWISE SPECIFIED DIMENSIONS ARE IN MM. AND [INCHES] TOLERANCES ARE +/- 1[0.039] SCALE:1:5	Corner Sink Base Cabinet SCALE:1:5 SHEET 1 OF 1 A1