




# LED UNDER-CABINET LIGHT

LED-UCW9  
 LED-UCW12  
 LED-UCW21  
 LED-UCW24  
 LED-UCW33  
 LED-UCW42

INSTRUCTIONS PERTAINING TO RISK OF FIRE OR INJURY TO PERSONS  
 READ ALL INSTRUCTIONS  
**IMPORTANT SAFETY INSTRUCTIONS**  
 SAVE THESE INSTRUCTIONS



## TOOLS AND MATERIALS REQUIRED:



Phillips Screwdriver



Wire Cutters

Wiring supplies as required by electrical code



Pliers



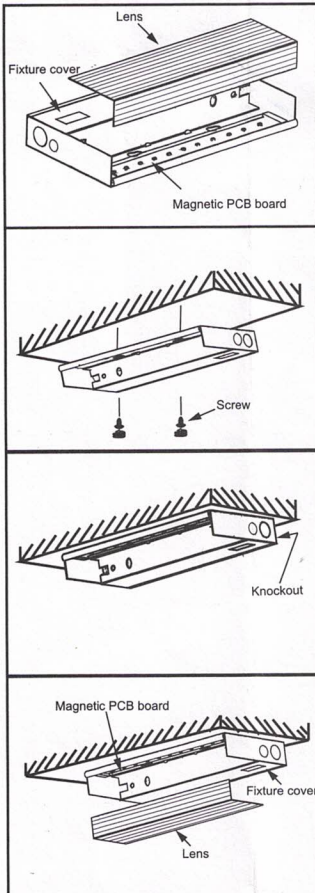
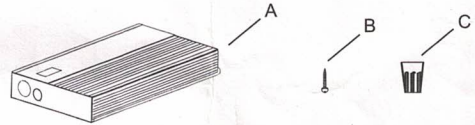
Drill

## SAFETY PRECAUTIONS:

1. TURN OFF ELECTRICAL POWER BEFORE STARTING INSTALLATION OF LIGHT FIXTURE.
2. THIS PRODUCT MUST BE INSTALLED IN ACCORDANCE WITH THE APPLICABLE INSTALLATIONS CODE BY A PERSON FAMILIAR WITH THE CONSTRUCTION AND OPERATION OF THE PRODUCT AND THE HAZARDS INVOLVED.
3. CAUTION - RISK OF ELECTRIC SHOCK. CONSULT A QUALIFIED ELECTRICIAN TO ENSURE CORRECT BRANCH CIRCUIT CONDUCTOR.

## PACKAGE CONTENTS:

PART	DESCRIPTION	QTY
A	LED light	1
B	Mounting screw	2
C	Wire nut	3



1. Remove lens, fixture cover and magnetic PCB board.

2. Determine the desired location for mounting the fixture, then measure the distance between the centers of the 2 keyholes on the back of the fixture. Mark the locations of the keyhole on the underside of the cabinet with a pencil. Drill pilot holes for the mounting screws with a small drill. Attach fixture and tighten the mounting screws into the cabinet.

3. Knock blind knockout open in your required position. Put back the magnetic PCB board. Connect supply wires to wires on the fixture with wire nuts. Connect white to white, black to black, green or bare copper wire to green wire. Put the metal cover in place to hide wires inside metal.

4. Adjust LED PCB magnetic board in center place to complete the installation by returning the fixture lens.

This LED light is suitable to be dimmed by Major Brand Model# 6633, Major Brand Model# 6672.

Dimming levels will vary by dimmer.

MAGNETIC PCB BOARD MAY SHIFT OR MOVE DURING SHIPPING  
 PLEASE ADJUST AND OR CENTER THE PCB BOARD