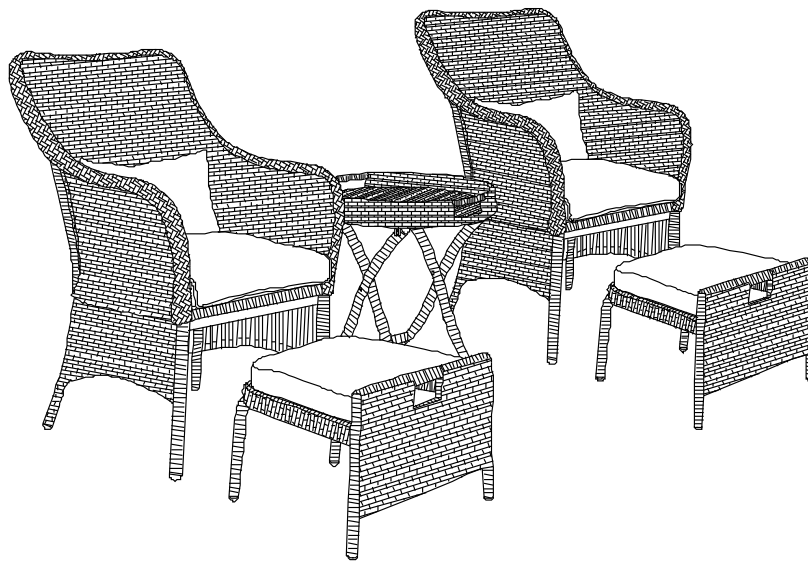


Item #1000 000 000
Model #LG1146-5PC

HAMPTON BAY®

USE AND CARE GUIDE

Garden Hills 5-Piece Chat Set - Sky



**Questions, problems, missing parts? Before returning to the store,
call Hampton Bay Customer Service
8 a.m. – 7 p.m., EST, Monday – Friday, 9 a.m. – 6 p.m., EST, Saturday**

1-855-HD-HAMPTON

HAMPTONBAY.COM

THANK YOU

We appreciate the trust and confidence you have placed in Hampton Bay through the purchase of this chat set. We strive to continually create quality products designed to enhance your home. Visit us online to see our full line of products available for your home improvement needs. Thank you for choosing Hampton Bay!

Table of Contents

Table of Contents.....	2	Pre-Assembly.....	3
Important Safety Instruction.....	2	Planning Assembly.....	3
Save These Instructions.....	2	Chair Package Content.....	4
Read All Instructions Before Use.....	2	Ottoman Package Content.....	5
Warranty.....	3	Side Table Package Content.....	6
What is Covered.....	3	Chair Assembly.....	7
What is not Covered.....	3	Ottoman Assembly.....	10
		Side table Assembly.....	11
		Care and Cleaning.....	14

Important Safety Instructions

SAVE THESE INSTRUCTIONS



WARNING: This chat set was made for the explicit purpose of providing outdoor functions and is not to be used as a toy. This product is intended for normal outdoor use; the manufacturer recommends storing and / or covering this set when any formidable / severe weather is approaching.



WARNING: Do not locate this product near open flames. Do not use this product as a support. Do not shake, lean or climb on the product. Children under the age of 10, near the product, should be supervised by a competent adult at all times. This product is NOT intended for commercial use and will void the warranty.

READ ALL INSTRUCTIONS BEFORE USE

To reduce the risk of injury to persons:

1. Close supervision is necessary when this product is used by or near children, or disabled persons, if applicable.
2. Use this product only for its intended use as described in these instructions. Do not use attachments not recommended by the manufacturer.
3. Do not move the chair or table while they are occupied. Failure to obey this caution could result in injury.
4. Do not rock in the chair or table as you may fall and cause serious injury.
5. Please keep children out of the assembly area before assembly.



WARNING: Do not place heavy objects on the chair or table top.



WARNING: Weight limit is 250 lbs (113.39kg) for each seat.



CAUTION: Do not locate the product near any heat source.



WARNING: This chat set is heavy, and may require two adults for safe assembly.

Warranty

3 YEAR FRAME AND 3 YEAR FABRIC LIMITED WARRANTY

WHAT IS COVERED

We warrant the frames to be free of manufacturing defects to the original purchaser for three years, and a three year limited warranty for the fabric.

WHAT IS NOT COVERED

It remains the customer's responsibility for freight and packaging charges to and from our service center. This warranty does not cover commercial use, hardware, acts of nature, fire, freezing and abusive use. In addition, purchased parts are not covered under this warranty. We reserve the right to make substitutions with similar merchandise, if the model in question is no longer in production.

Contact the Customer Service Team at 1-855-HD-HAMPTON or visit www.Hamptonbay.com.

Pre-Assembly

PLANNING ASSEMBLY

Read all instructions before assembly.

To avoid damaging this product, assemble it on a soft, non-abrasive surface such as carpet or cardboard.



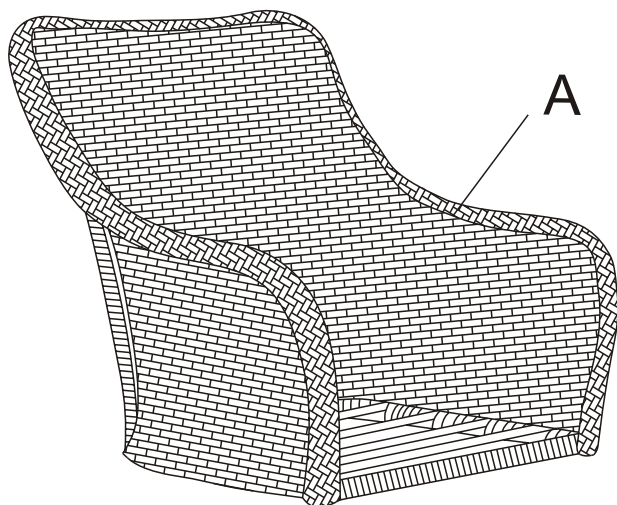
NOTE: More than one person may be required to assemble this product.

Pre-Assembly (continued)

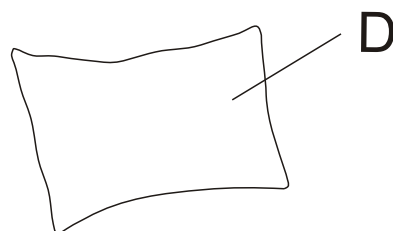
CHAIR PACKAGE CONTENTS



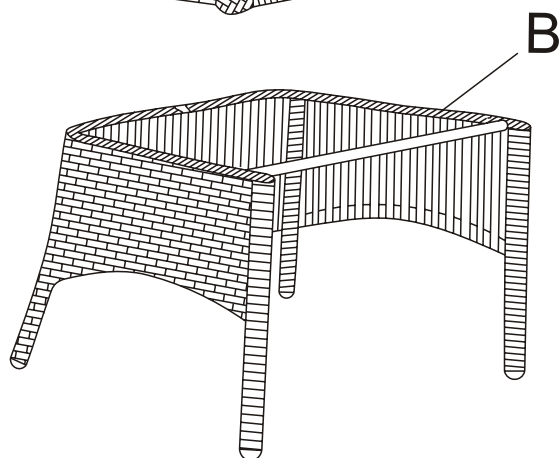
IMPORTANT: DO not fully tighten bolts/screws until all pieces are loosely assembled.



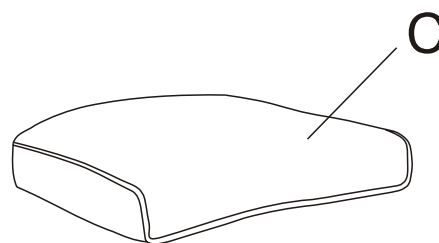
A



D



B



C

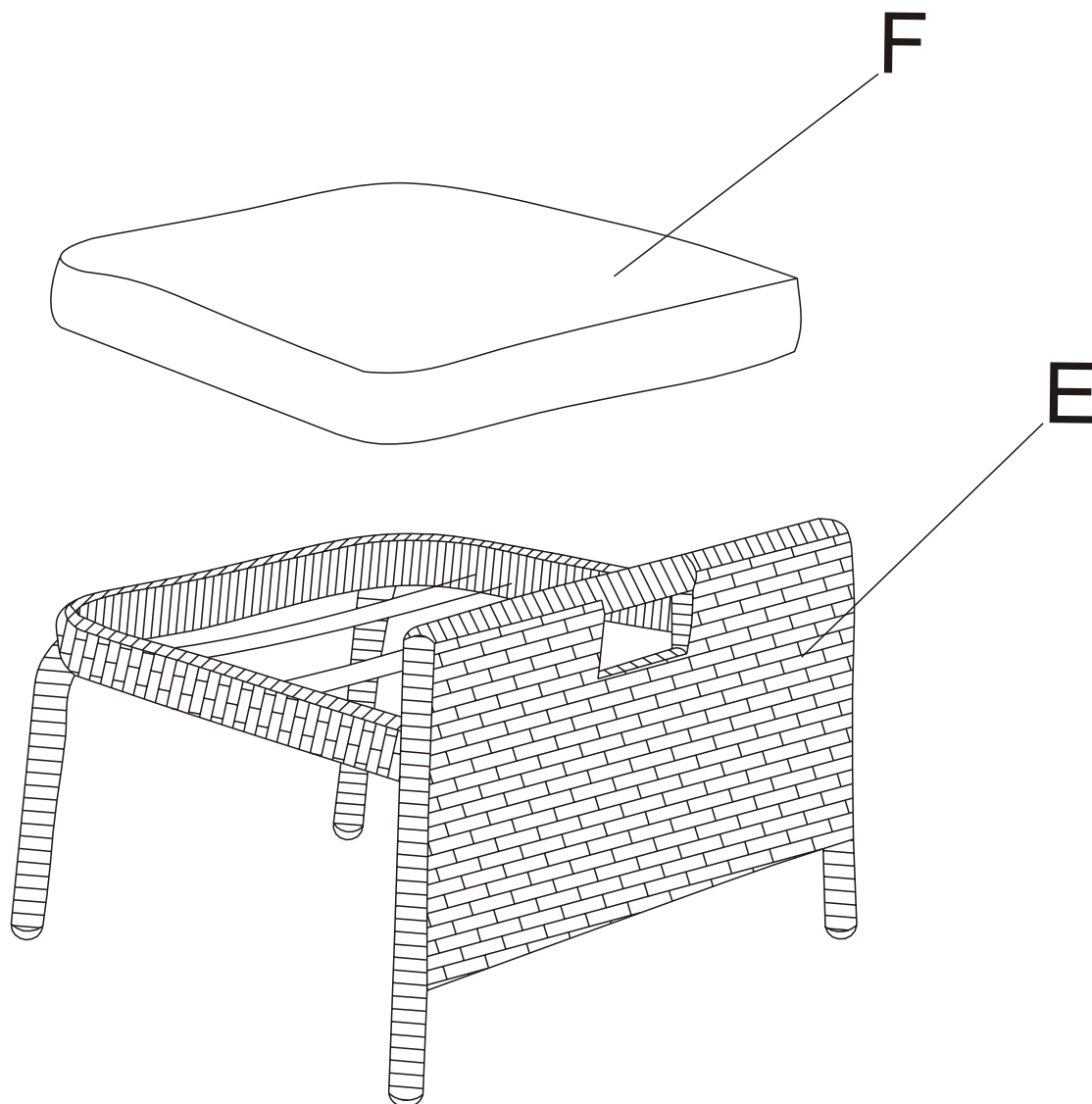
Part	Description	Quantity
A	Seat Frame	2
B	Base Frame	2
C	Seat Cushion	2
D	Lumbar Pillow	2

Pre-Assembly (continued)

OTTOMAN PACKAGE CONTENTS



IMPORTANT: DO not fully tighten bolts/screws until all pieces are loosely assembled.



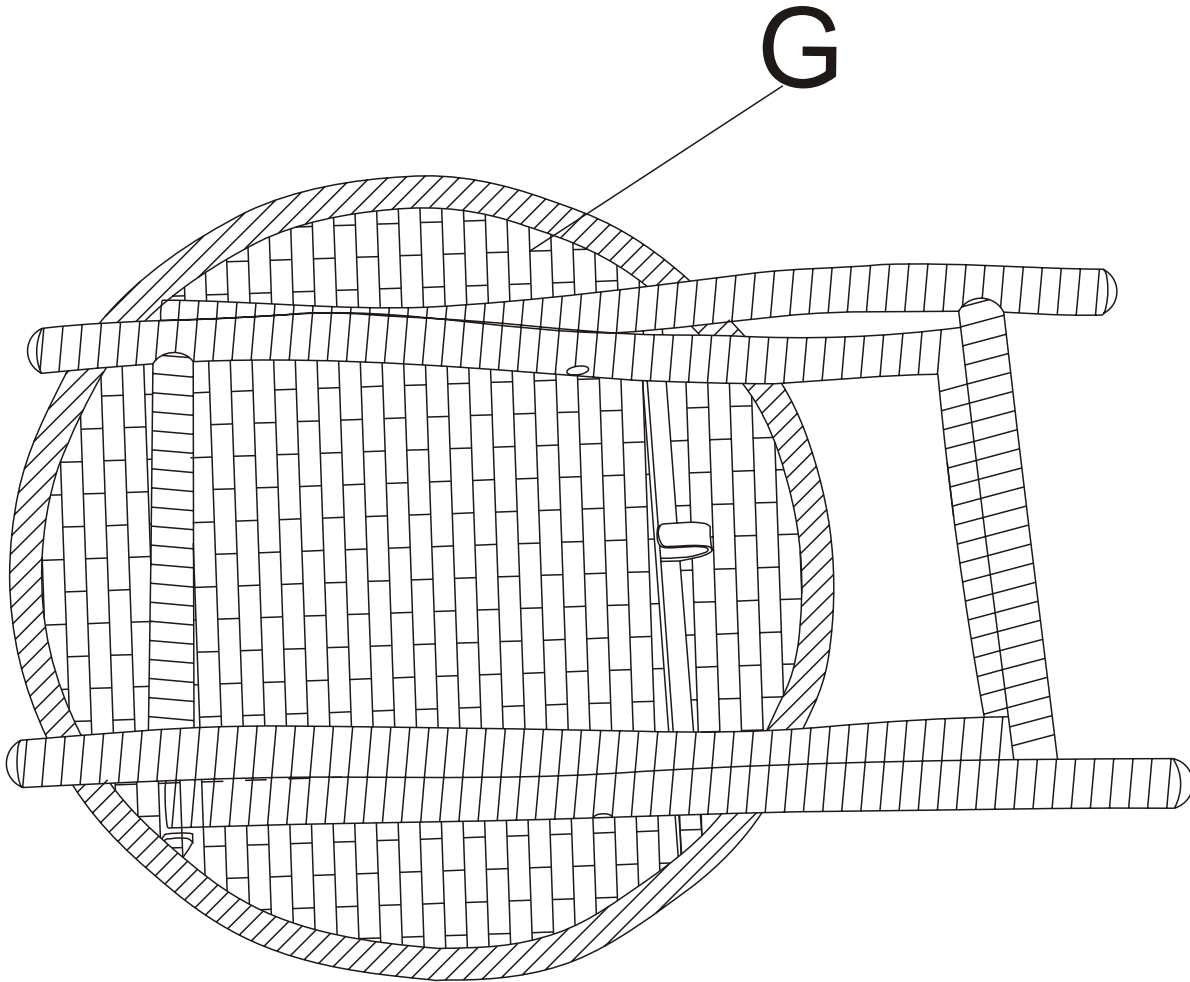
Part	Description	Quantity
E	Ottoman	2
F	Ottoman Cushion	2

Pre-Assembly (continued)

SIDE TABLE PACKAGE CONTENTS



IMPORTANT: DO not fully tighten bolts/screws until all pieces are loosely assembled.

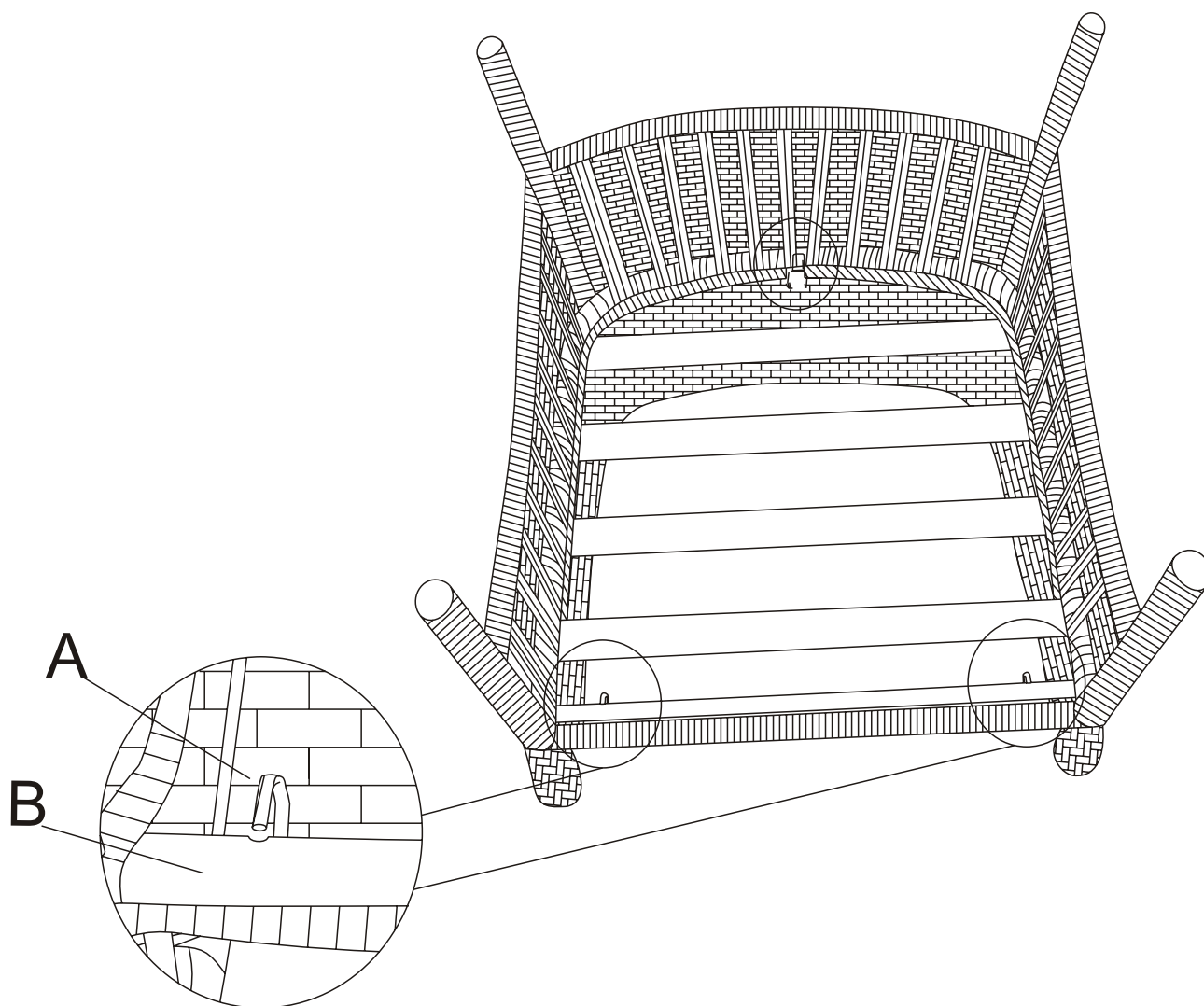


Part	Description	Quantity
G	Side Table	1

Chair Assembly

1 INSERTING THE SEAT FRAME TO THE BASE FRAME

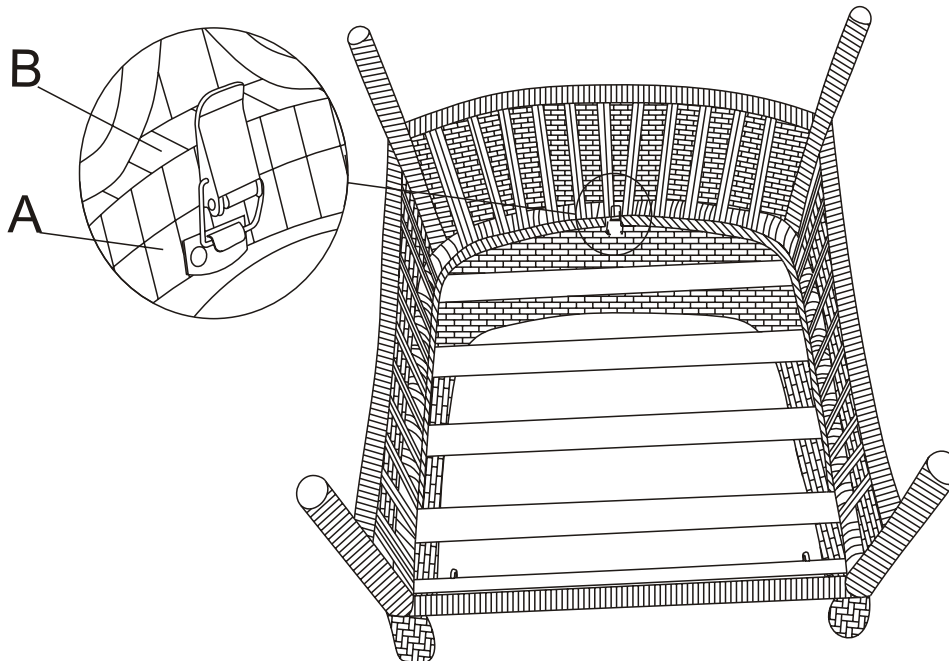
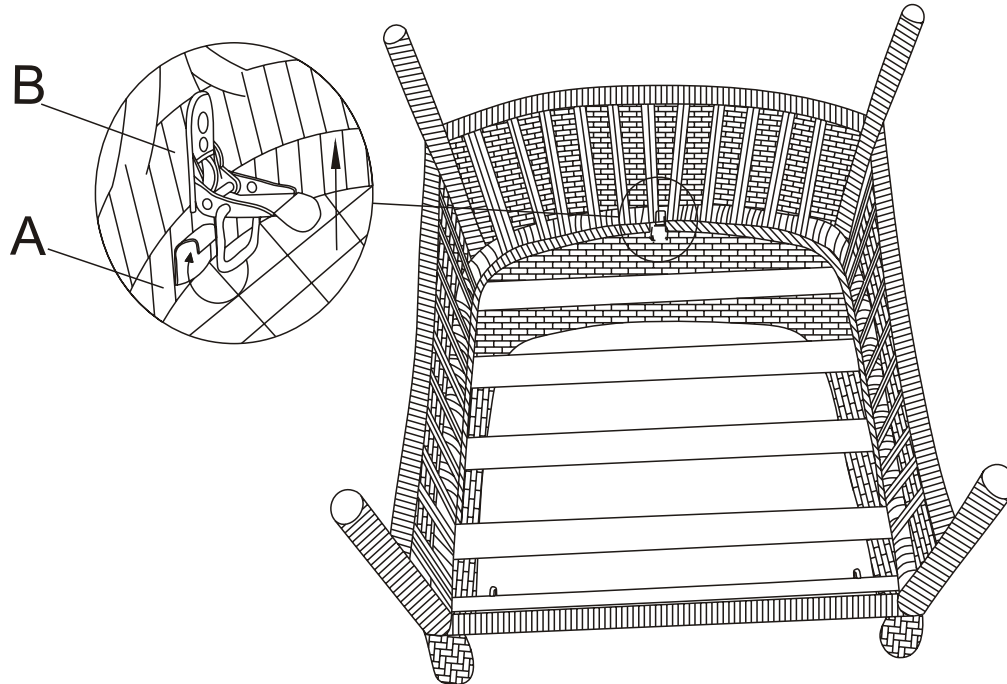
- Insert the steel bar at the front end of the seat frame (A) to the base frame (B).



Chair Assembly (continued)

2 LOCKING THE BUCKLE

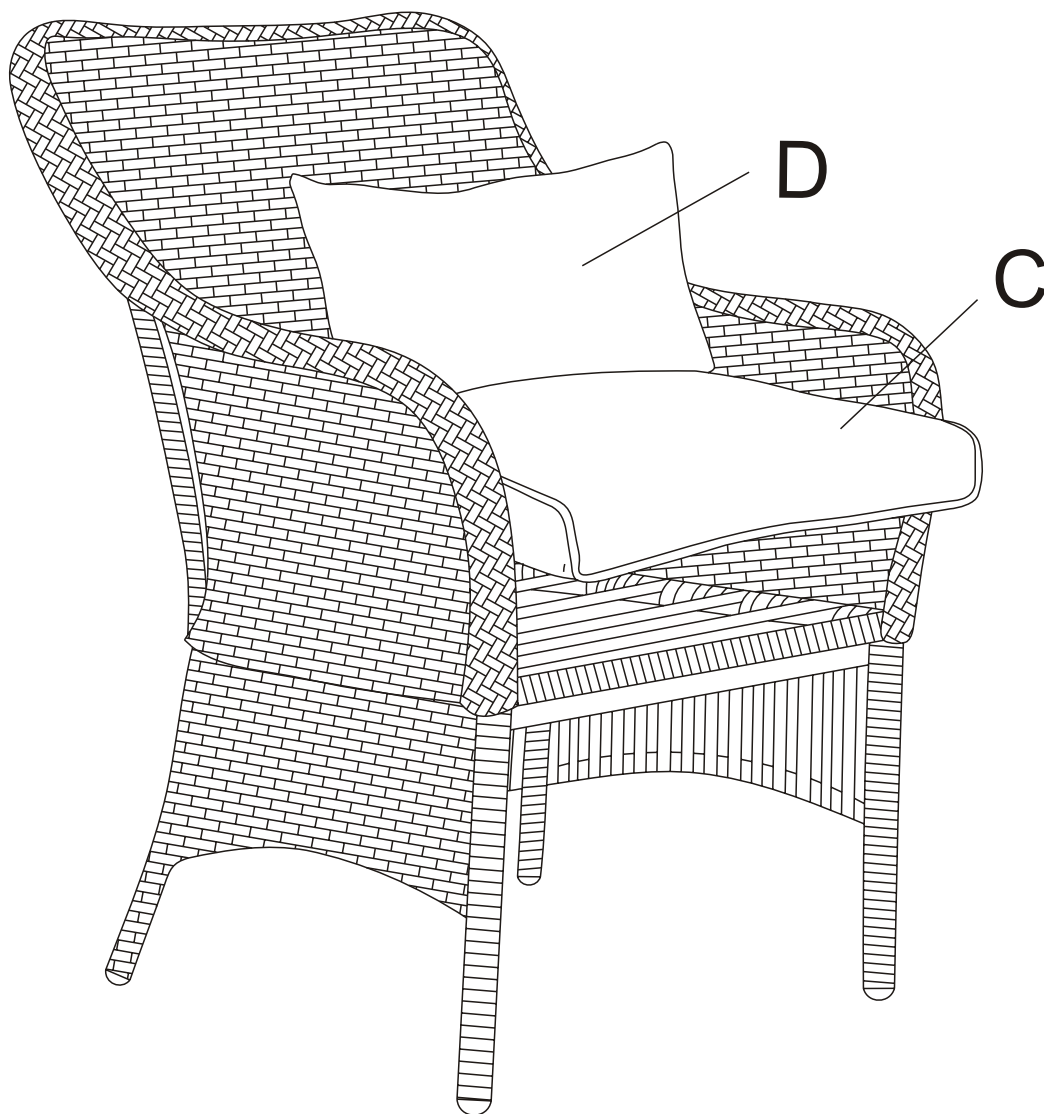
- Lock the buckle between the seat frame (A) and the base frame (B).



Chair Assembly (continued)

3 ADDING THE CUSHIONS

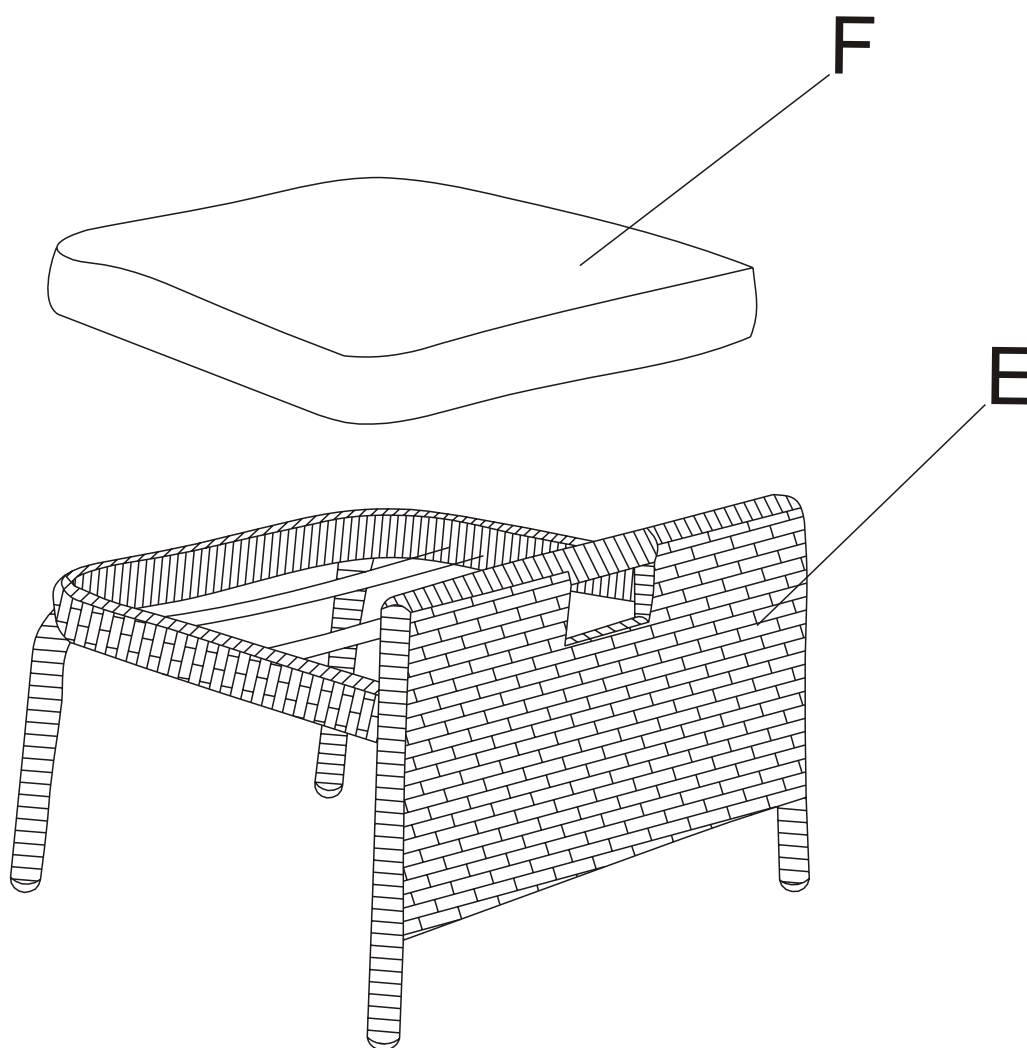
- Place the seat cushion (C) and the lumbar pillow (D) on the chair.



Ottoman Assembly

1 ADDING CUSHION ON OTTOMAN

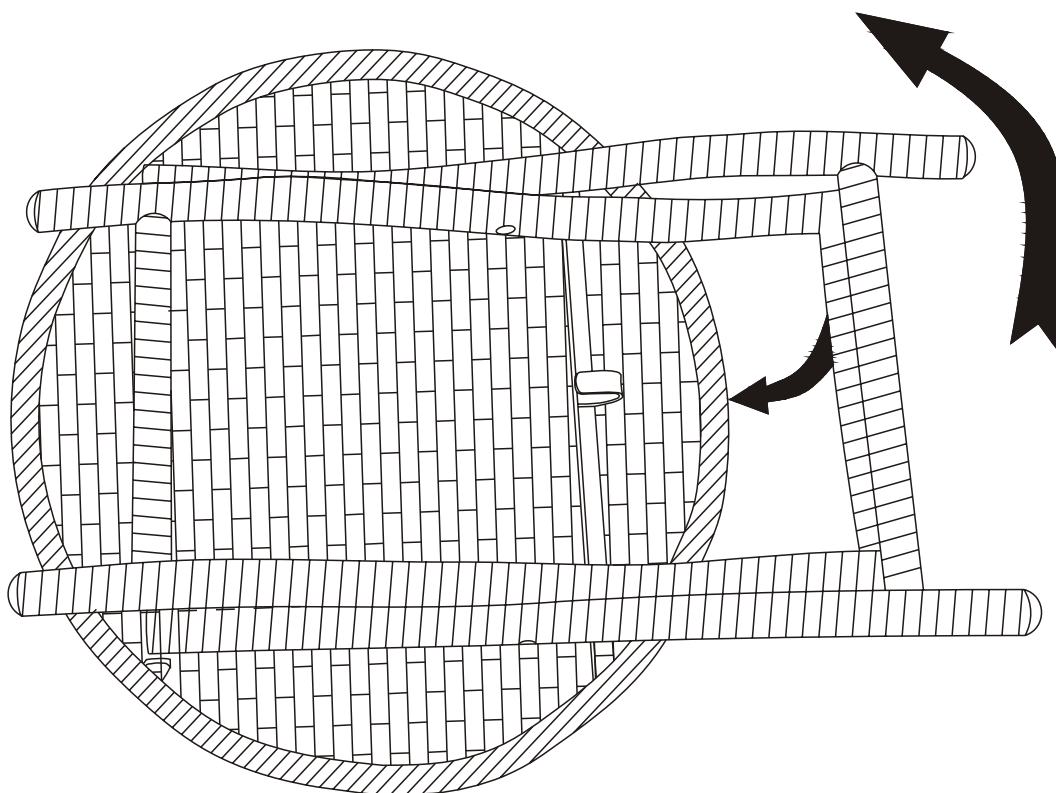
- Ottoman (E) does not require assembly.
- Place the cushion (F) on the ottoman (E).



Side Table Assembly

1 RAISING THE TABLE LEG

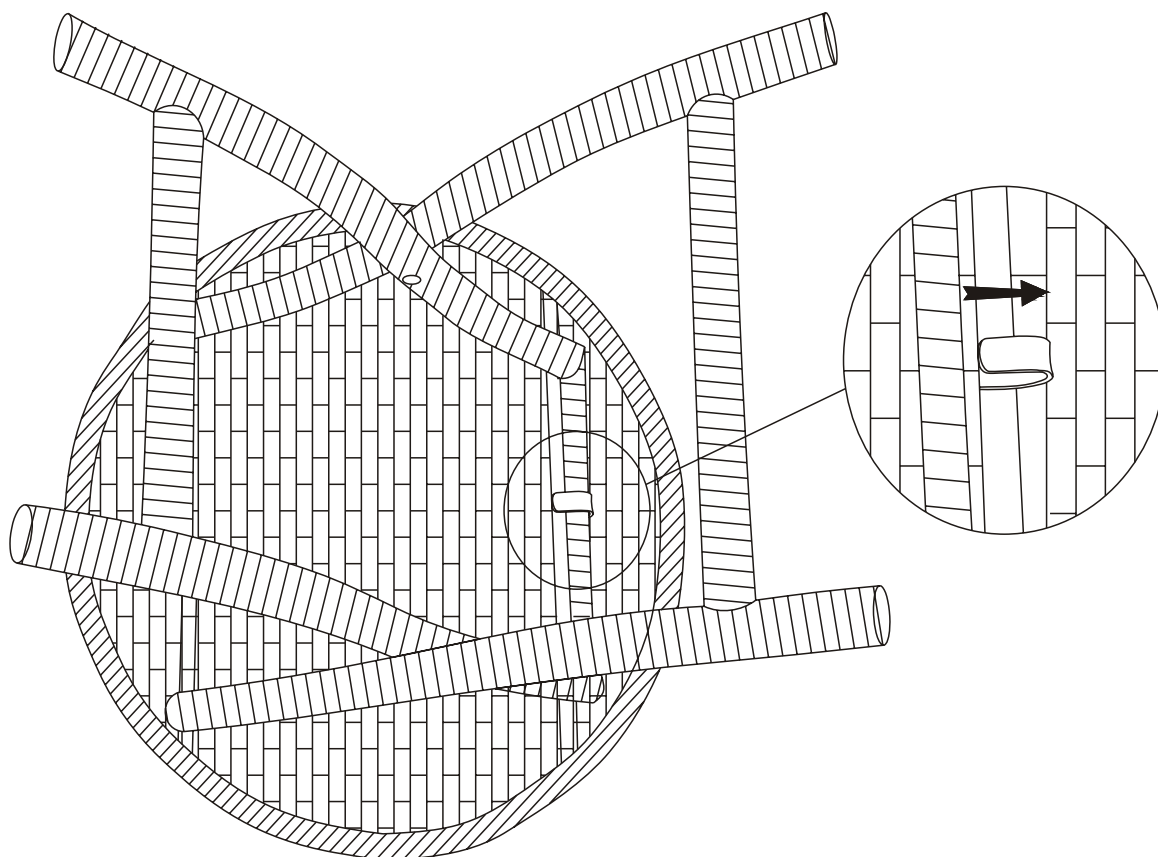
- Raise the table leg (G).



Side Table Assembly (continued)

2 LOCKING THE TABLE LEG AND TABLE TOP

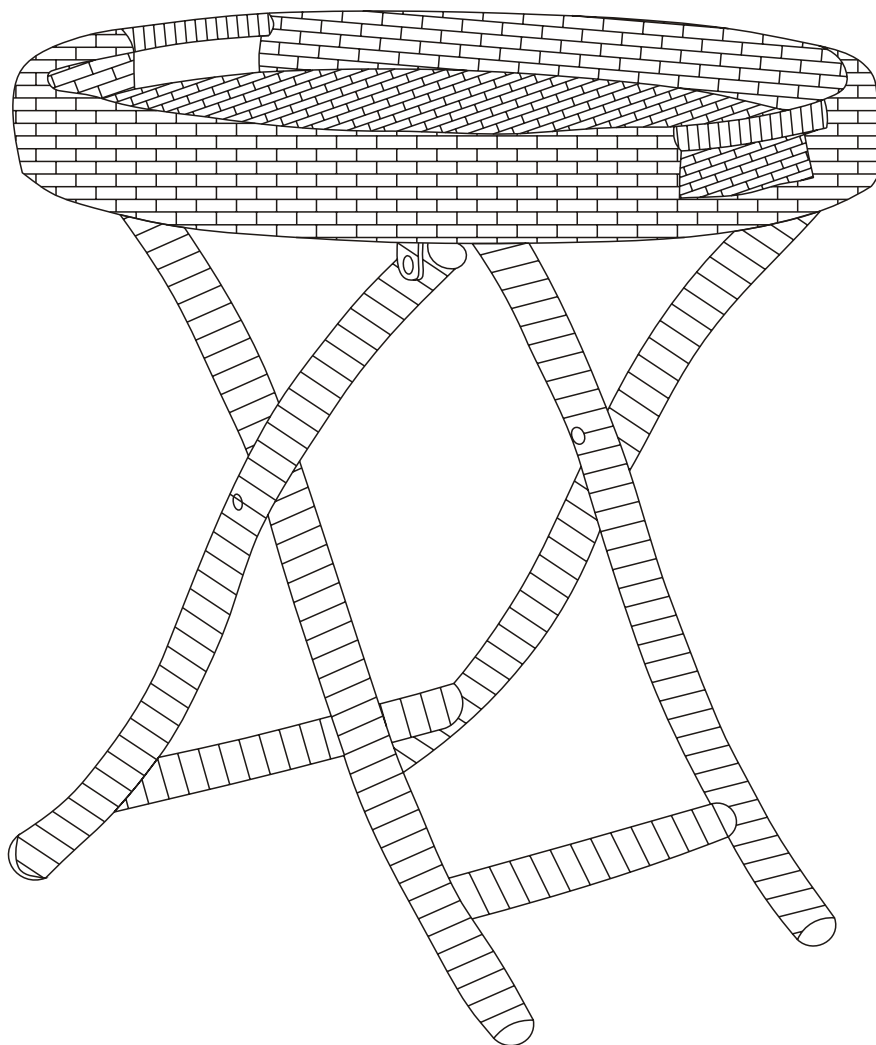
- Lock the transverse tube of one table leg to the U-shaped hook on the table top.



Side Table Assembly (continued)

3 TRUNING OVER THE SIDE TABLE

- Turn over the side table.



Care and Cleaning

- ❑ For best result, clean the products with a damp cloth and dry thoroughly. This will help prevent mildew by removing dirt particles that may accumulate.
- ❑ Do not clean with abrasive material, bleach, or solvents..
- ❑ Store the products in a dry, sheltered place when not in use.
- ❑ Keep the products away from fire, extreme heat, freezing conditions, and inclement weather such as rain, hail, sleet, snow, or wind.

HAMPTON BAY®

**Questions, problems, missing parts? Before returning to the store,
call Hampton Bay Customer Service
8 a.m. – 7 p.m., EST, Monday – Friday, 9 a.m. – 6 p.m., EST, Saturday**

1-800-841-1350

HAMPTONBAY.COM

Retain this manual for future use.

For certification use only
Chair ID # LG1146-3001
Ottoman ID # LG1146-3004