

FIBERGLASS DOOR SYSTEM

Installation Instructions

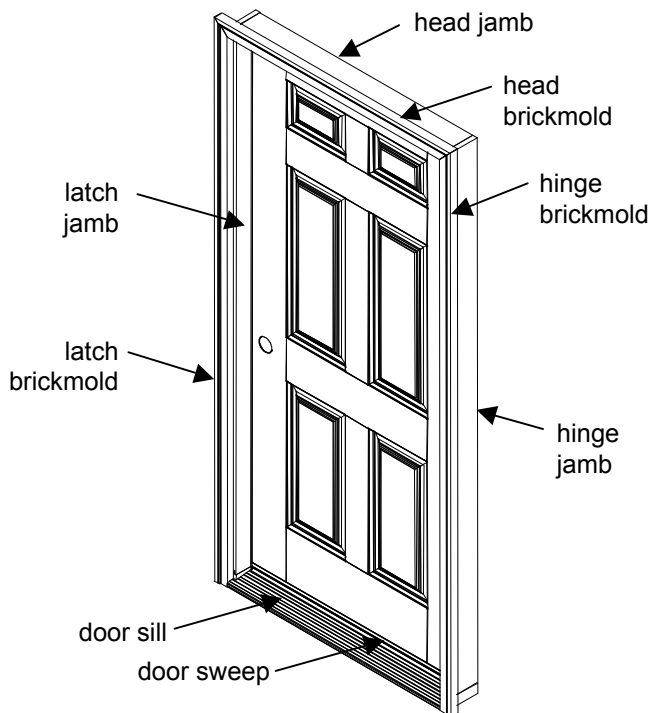
Thank you and congratulations. You have just purchased a premier fiberglass entry door system. If you have purchased an unfinished door system, we recommend that you paint/stain before installation. Refer to the finishing instructions section in this document. Please follow the instructions carefully for proper installation.

CAUTION: Some door units are heavy and may require two people to lift and install. Use proper lifting techniques and follow safe working practices.

Tools and materials needed:

Tape measure, Hammer, Square, Level, Wooden shims, 10d finish nails, #3 Phillips screwdriver, #8 x 3" Exterior grade screws, Power drill with Phillips drill bit, Safety glasses, Caulking gun with quality exterior sealant, Putty

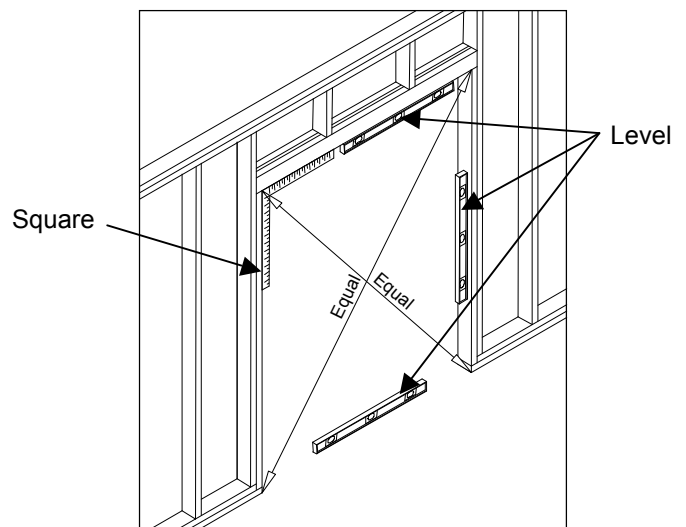
PARTS OF A DOOR SYSTEM



Before you begin:

1. Do not remove the plastic door plug until instructed to do so. This is used to keep the door system closed and aligned. If the door unit has handles on the latch and hinge jambs, remove them. Also, cover the door sill to protect against harmful particles or scratches during installation or between a long period of building construction and occupation. Note that any contact with wet cement or cement powder will damage the sill finish.

2. Make sure that the new door will properly fit in your frame opening. The recommended rough opening is 3/4" wider and 1/2" higher than the door prehung unit. Resize the opening if needed. Verify that the frame opening is level, square and plumb. It is important that the floor is level. Minor out of level conditions at the sides and top can be corrected by using shims but major misalignments need to be corrected before installation. Diagonal measurements must be equal to within 1/4" (as shown below). Note that the latch jamb should be adjusted for plumb so that the weatherstrip on the latch jamb is evenly compressed when the door is closed. Use a Carpenter's square and level to check for squareness, level and plumb of the frame opening.



1 INSTALLATION:

IMPORTANT: Before setting the door unit into the rough opening, apply generous beads of caulk to the underside of the door sill at locations shown in Figure 1a or 1b, including the plastic jamb adapter and brickmold. Make sure that at least 4 lines of bead seal the full width of the sill. Also apply a continuous and generous amount of bead of caulk to the back side of brickmolds as shown in figure 1c.

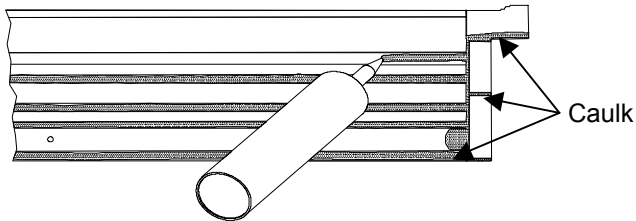


Figure 1a (In-swing)

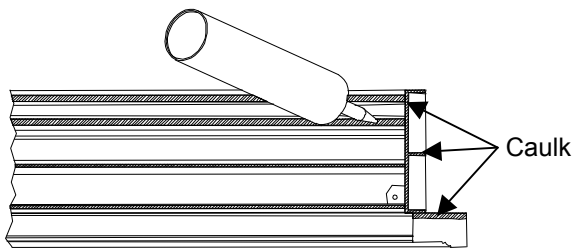


Figure 1b (Out-swing)

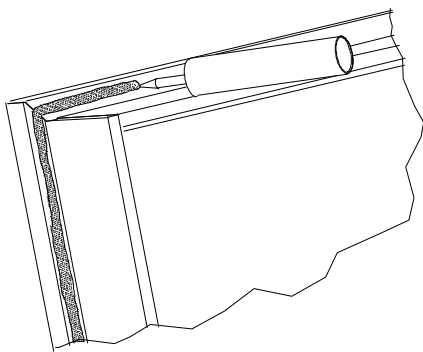


Figure 1c

2 For a single door, remove the bolt from the plastic door plug. From outside, set the door unit into the opening per Figure 2a. For a heavier door system, get help when lifting, setting and aligning.

From the inside, place a solid shim directly behind each hinge between the hinge jamb (or approx. same level as hinges on sidelite jamb) and opening frame per Figure 2b. Keep the door unit level, square and plumb on all four sides. Remove the plastic door plug completely.

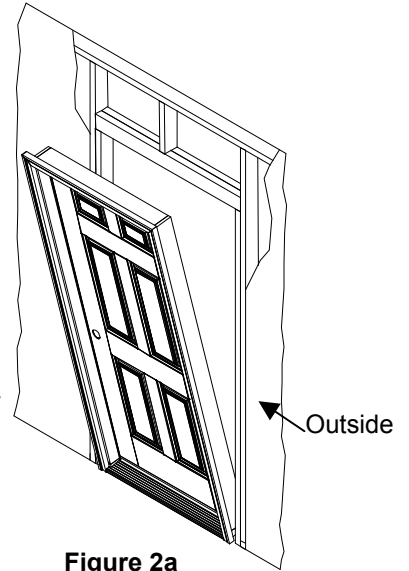


Figure 2a

Temporarily secure the door unit to the frame with two #8 x 3" screws or two 10d finish nails. Fasten at about 2" below the top hinge and 2" above the bottom hinge through the jamb and into the opening frame.

Make sure weatherstrip contact and margin are equal all around. Make further adjustments for level, square and plumb. Use 3 or 4 (8ft door) solid shims between the latch jamb and opening frame per Figure 2b. Additional shims may be used to keep the door aligned. Test to ensure proper operation of the door. Permanently fasten 3" exterior grade screws (not included) through the jambs into the shim and the frame. Do not over tighten the screws. Over tightening may cause jambs to bow. Remove excess shims and temporary fasteners. Do not shim or fasten the head jamb of the single door unit.

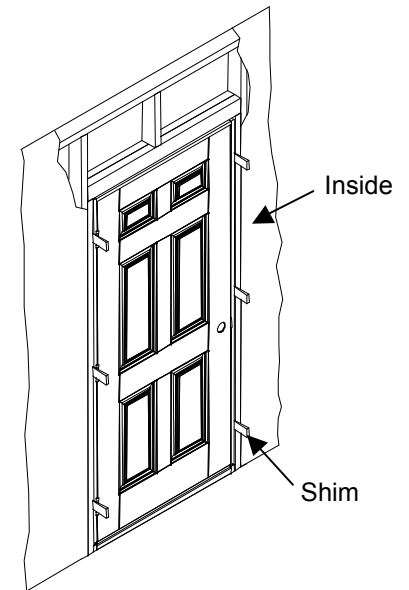


Figure 2b

Additional Anchoring for Single Door with Sidelites

Shim above mullion per Figure 2c. Fasten 3" exterior grade screws (not included) through head jamb into the shim and the frame. Remove excess shim.

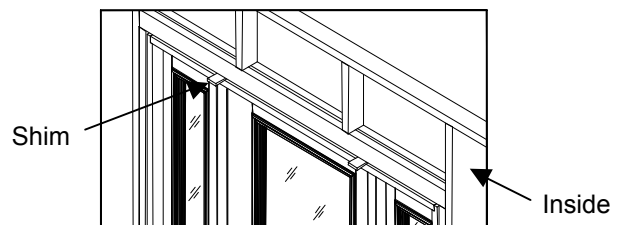


Figure 2c

Additional Anchoring and Drilling for Double Door Units

Permanently fasten 3" exterior grade screws (not included) through the head jamb into the frame at locations shown in Figure 2d. Do not shim.

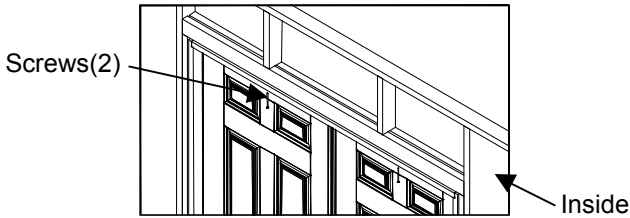


Figure 2d

Installing Astragal Retaining Plate & Grommet for Double Door Units

After the double door is properly aligned, use the astragal bolts to mark and drill 3/8" diameter x 1 3/8" min. deep hole through the head jamb and 5/8" diameter x 1 3/8" min. deep hole through the sill, per Figures 2e, 2f, and 2g. Pre-drill (2) 1/16" pilot holes for the mounting screws for the head jamb. Install the retaining plate in the head jamb using the included hardware and insert the grommet into the 5/8" diameter hole in the sill.

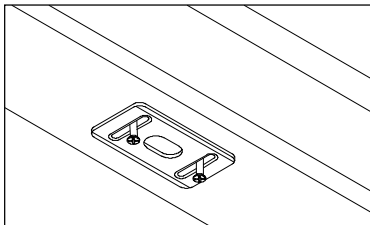


Figure 2e

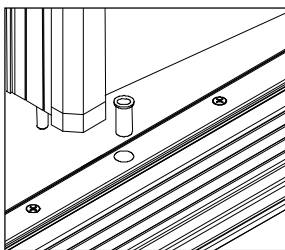


Figure 2f
(In-swing sill)

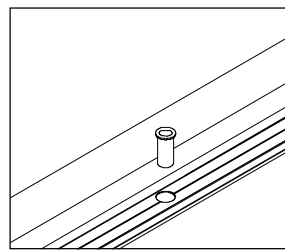


Figure 2g
(Out-swing sill)

Position Strike and Deadbolt Plates for Double Door Units

Close both doors. Mark desired positions for strike and deadbolts plates. Loosen the retainer screws (do not completely remove screws). Place the strike and deadbolt plates into position (left image of Figure 2h) and tighten the screws. Only use the screws that came in the retainers. Do not use other screws as this may cause a malfunction in the operation of the doors. Check positions and adjust as needed.

Install Trim Covers for Double Door Units

Cut the Trim Covers so that the ends fit under both the strike and deadbolt plates and butt up against the strike and deadbolt retainers (as shown in the right side of Figure 2h [1,2,3]).

Loosen the screws on the strike and deadbolt plates and slip the Trim Cover underneath. Snap the Trim Covers into place and tighten screws.

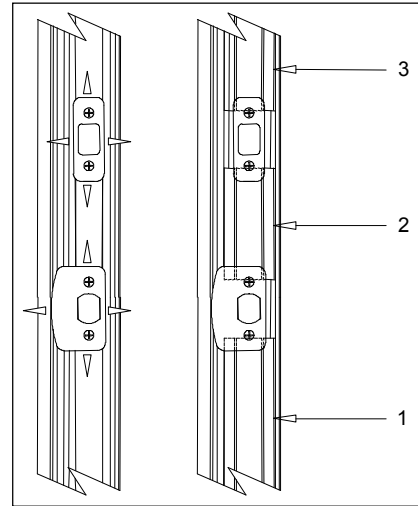


Figure 2h

- 3** Install 2 screws at the location shown in Figure 3 on the top hinge and 1 each on the lower 2 or 3 (8ft door) hinges (screws included in installation kit).

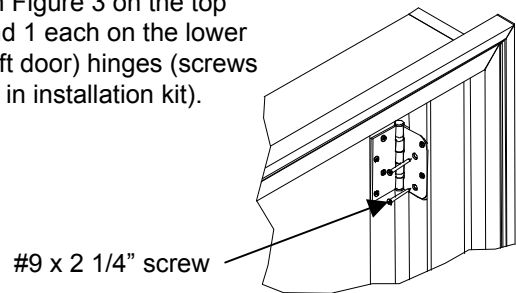


Figure 3

- 4** For an in-swing door with adjustable threshold, adjust the threshold as shown in Figure 4 so that there is even contact between the door sweep and the threshold. To test, put a sheet of paper between door sweep and threshold, close the door and pull. The correct adjustment would have slight tension, but if the paper tears, the tension is too high.

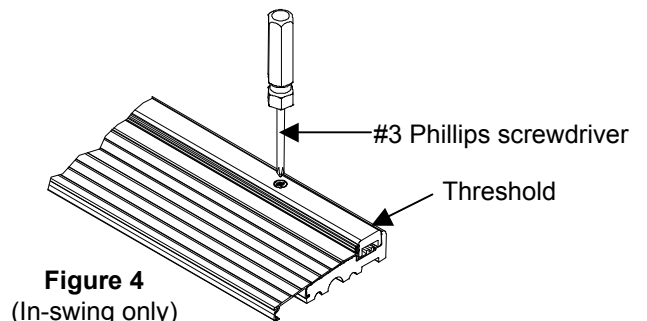


Figure 4
(In-swing only)

- 5 IMPORTANT:** For in-swing doors, install two corner seal pads (included in the installation kit) at each of the jamb bottoms of an active door per Figure 5a. For a double door system, verify that a corner seal pad is installed at the bottom of the active door side of an astragal. The corner seal pad should be tucked underneath the weatherstrip. Caulk at the intersection of the jambs, brickmolds, threshold and floor. For out-swing doors, also caulk at the intersection of the jambs, brickmolds, threshold and floor per Figure 5b.

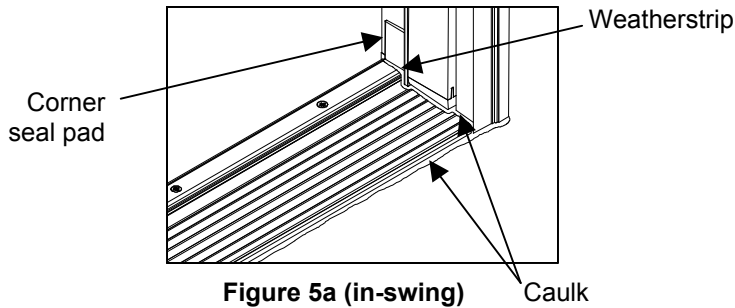


Figure 5a (in-swing) Caulk

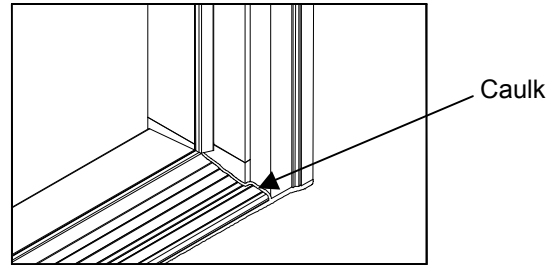


Figure 5b (out-swing)

FINISHING INSTRUCTIONS

Staining or painting an unfinished Feather River fiberglass door has never been easier. Our fiberglass door does not require special stain kits or primer. Use the same exterior stain or paint you would use for finishing your home's other trims. **Note that a tan woodgrain and unpainted smooth door must be finished within 6 months after the door is purchased.** When finishing, remove the door from the frame and place door in a flat level surface off the floor. Sidelites need to be finished while attached to the frame.

Caution: Paint or stain in a well ventilated area. Keep combustible paint, stain and topcoat away from heat and flame. Keep out of reach of children.

Stain Finish

All surfaces of a tan woodgrain door are stainable. Our patented textured fiberglass door surface yields superior stain adhesion without sanding. Select a high quality water-based stain from Minwax® or Behr® or a high quality gel stain from Minwax® or Olympic®. Or, select a high quality oil-based stain from Ace®, Minwax®, or Zar®.

Before applying a stain, wipe the fiberglass door and door lite frame with a damp cloth to remove any dirt, oil, or debris. Allow the surface to fully dry before staining. Apply an even amount of stain with a brush or lint-free cloth in the direction of the wood grain as shown in Figure 6. Work the stain into the surface. Lighten stain and remove excess through wiping with a clean rag before stain dries completely. For a darker appearance, apply a second coat after first coat dries. Follow the application instructions on the stain container label. After stain has dried for at least 24 hours, apply three coats of high quality exterior grade satin or low gloss polyurethane in the direction of the wood grain. Follow the label's drying time between coats.

Important: Use polyurethane with ultraviolet (UV) inhibitors.

Paint Finish

Tan woodgrain or unpainted/pre-painted smooth fiberglass doors are paintable with most high quality oil based exterior paints. For the unpainted smooth doors, we recommend lightly sanding with 600-grit sandpaper for the best results. Before applying a paint, wipe the fiberglass door and door lite frame with a damp cloth to remove any dirt, oil, or debris. Allow the surface to fully dry before painting. Paint the door in the directions shown in Figure 6. Apply at least two coats of paint. Follow the brand's recommended drying time between coats.

Finishing Wood components

Both the pre-finished and unfinished fiberglass doors come with factory finished prime coat on the jambs and brickmolds, unless clear wood components are specified in the order. We recommend staining the clear jambs, brickmolds and other clear wood components or stainable astragals per above stain finish instructions. Apply 2 or 3 coats of exterior grade polyurethane with ultraviolet (UV) inhibitors. Lightly sand with 600-grit sandpaper between coats for smoother finish. If painting is desired over primed wood components, use quality exterior grade acrylic latex or oil-base paint. Use wood filler to putty the nail marks on the wood components before staining or painting. **Wood components must be finished within 2 weeks after installation.** **NOTE FOR STAINABLE ASTRAGAL:** To protect the integrity of the wood veneer and its bonding adhesive, do not expose the astragal to oils, thinners, solvent based cleaners or similar items. **The stainable astragal should be finished prior to being installed to the door opening and exposure to the weather.**

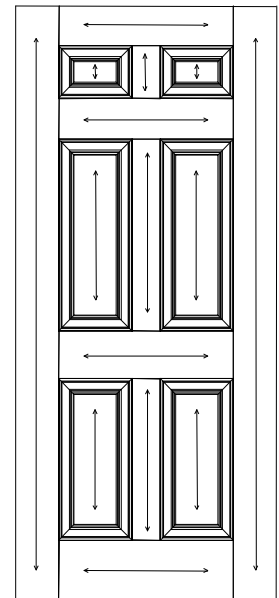


Figure 6

CARE AND MAINTENANCE

Finished Woodgrain Doors: Over time, harsh weathering will degrade even the best fiberglass finish. We recommend reapplying a UV topcoat over the existing topcoat every 2-3 years. We do not recommend stripping the factory finish topcoat. In locations of severe weather exposure, more frequent maintenance may be required. Fading, minor cracking and peeling are some initial signs of UV topcoat deterioration.

Painted Fiberglass Doors and Wood Components: Repaint your doors, jambs and brickmolds as soon as deterioration occurs. Initial signs of wear are fading, cracking, bubbling, and peeling.

Weatherstrip: Replace compression weatherstrip, door sweep, and seal pads when worn or torn.

Caulking: Just as with the finish, it is imperative that deterioration of caulking/sealant is properly maintained. Any areas of deterioration should be re-caulked based on the areas pointed out in the installation instructions (Exterior Trim to Exterior Façade, Exterior Trim to Jamb, Jamb Base to Threshold/Sill). Note: All Feather River fiberglass door lite frames come pre-caulked from the factory. The excess sealant on the door lite is normal and does not indicate a defective glazing. In some cases over time, you may experience excess caulking/sealant ooze around the lite frame. In most cases this happens during extreme heat buildup or when the door is exposed to direct sunlight. The excess sealant on the glass can be removed by carefully scoring the excess sealant with a razor blade and peeling it off. The excess sealant on the glass side may be better removed with the blade after scoring. However for the sealant on the finish side, the sealant should be removed without using the blade after the initial scoring around the perimeter of the frame.

Door Lite Plugs: Every door with a lite comes with enough plugs to fill all screw holes. All screw plugs should have a tight fit when installing to keep from falling out. To install screw plugs, line up screw plug with hole and insert at a slight angle to get started. In some cases you may be able to push the plug into place with hand. In most cases, you will need to take a small round head hammer and lightly tap into place or take the handle part of a screwdriver and tap into place with a hammer. If it seems that the screw plugs are too tight to fit into the plug holes, place the screw plug packet in a freezer for about an hour prior to installing or slightly sand or file bottom side of the plug to help plug get started in the plug hole.

Thermal Bowing: In some areas with temperature fluctuations, your door may experience signs of bowing over a period of days. This is typically due to the temperature difference between the exterior and interior part of the home. In most cases the door should return back to it's normal position. This is also common during the first couple of weeks after the door is installed while the door becomes acclimated to the opening. However in areas or conditions of extreme temperature exposure on the door, some permanent bowing can be expected. In the areas of extreme temperature exposure, the effect of the temperature on the door can be reduced by following some recommendations listed below.

Door Exposure and Protection: Doors protected by the elements will obviously need less maintenance and re-finishing vs. doors fully exposed to the elements. So overhangs will help provide long lasting protection to your entryway along with reduced maintenance.

Color Choice: As with overhangs, door colors may help reduce periodic maintenance and help with the door performance, especially in areas where doors receive an extreme amount of sun without protection. Dark colors will absorb more heat than the light colors. So if a door is absorbing a lot of heat or has constant sun exposure, it is more likely to have UV topcoat deterioration, color fading, and even issues with warping due to differential temperature. Light colors in these situations will help reduce the amount of heat absorption and help prolong the life of the door and reduce the overall maintenance.

Storm Doors: Our doors are energy efficient and storm door protection is not necessary. If purchasing a storm door, keep in mind that it should be ventilated to help reduce the amount of heat buildup. Full View non-ventilated storm doors in areas where no overhang and constant sun exposure is present will most likely lead to accelerated issues pointed out above due to the extreme heat (UV deterioration, color fading, warping, caulk/sealant oozing).

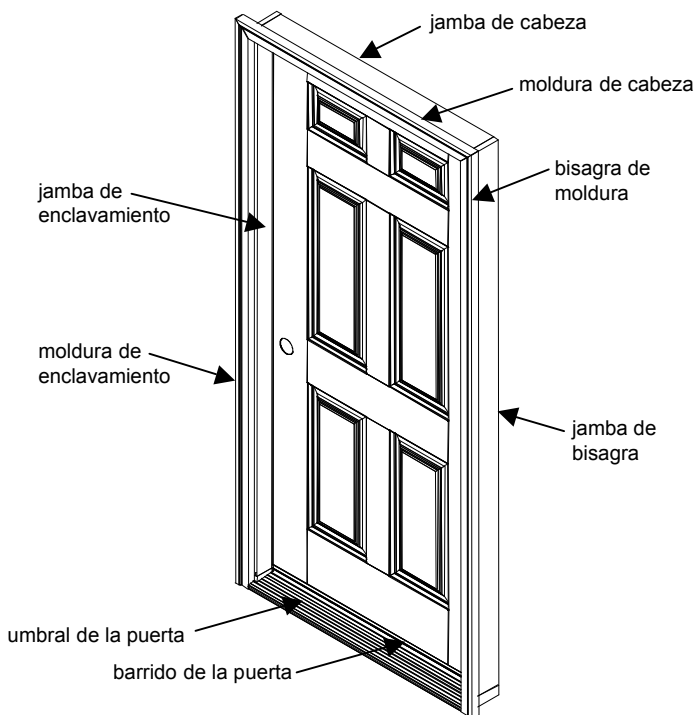
Gracias y felicitaciones. Usted acaba de adquirir un sistema de puerta de entrada de fibra de vidrio de primer nivel. Si ha adquirido un sistema de puerta sin acabado, le recomendamos que la pinte/tiña antes de instalarla. Consulte la sección de instrucciones de acabado en este documento. Por favor siga cuidadosamente las instrucciones para una correcta instalación.

PRECAUCIÓN: Algunas unidades de puerta son pesadas y pueden requerirse de dos personas para levantarlas e instalarlas. Utilice las correctas técnicas de levantado y siga las prácticas de trabajo seguro.

Herramientas y materiales necesarios:

Cinta métrica, martillo, escuadra, niveladora, cuñas de madera, clavos de acabado 10d, destornillador Phillips n° 3, tornillos de grado externo n° 8 de 3", taladro mecánico con boca de barrena Phillips, gafas de seguridad, pistola para calafatear con sellado de exterior de calidad, macilla.

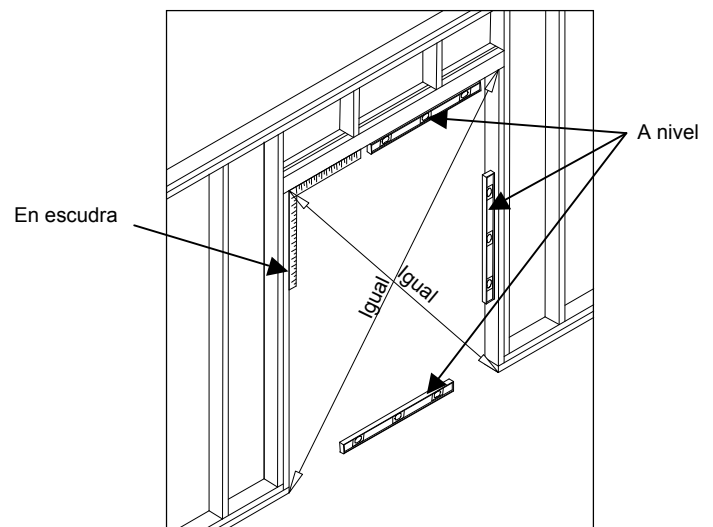
PARTES DE UN SISTEMA DE PUERTA



Antes de comenzar:

1. No retire el conector plástico de la puerta hasta que se le indique. Este se utiliza para mantener el sistema de la puerta cerrado y alineado. Si la unidad de la puerta posee jambas en el cerrojo y jambas de bisagra, quítelas. Además cubra el umbral de la puerta para proteger contra partículas o rayaduras dañinas durante las instalación o entre un largo período de edificación y posterior ocupación. Tenga en cuenta que cualquier contacto con cemento húmedo o polvo de cemento dañará el acabado del umbral.

2. Asegúrese de que su nueva puerta quepa correctamente en la abertura del marco. La abertura aproximada recomendada es de 3/4" más de ancho y 1/2" más de alto que la unidad de puerta precolgada. Redimensione la abertura si es necesario. Verifique que la abertura del marco se encuentre nivelada, encuadrada y nivelada verticalmente. Es importante que el piso se encuentre a nivel. Aún en condiciones de mínimo desnivel de las partes laterales y superiores éstas se pueden corregir utilizando cuñas pero las condiciones de severo desnivel necesitan ser corregidas antes de la instalación. Las medidas diagonales deben ser iguales a 1/4" (según se visualiza a continuación). Tenga en cuenta que la jamba del cerrojo se debe ajustar de modo que quede a plomo a fin de que el burlete en la jamba del cerrojo se encuentre comprimido en forma pareja al cerrar la puerta. Utilizar una escuadra de carpintero y un nivel para verificar la cuadratura, que se encuentre a nivel y a plomo con la abertura del marco.



1 INSTALACIÓN:

IMPORTANTE: Antes de fijar la unidad de la puerta dentro de la abertura aproximada, aplique gotas de calafateado en la parte inferior del umbral de la puerta en ubicaciones según se muestra en las figuras 1a y 1b, incluyendo el adaptador de jamba de plástico y moldura. Asegúrese de que al menos 4 líneas de bolas sellen el ancho completo del umbral. Además aplique un cantidad continua y generosa de calafateado en la parte trasera de las molduras como se muestra en la figura 1c.

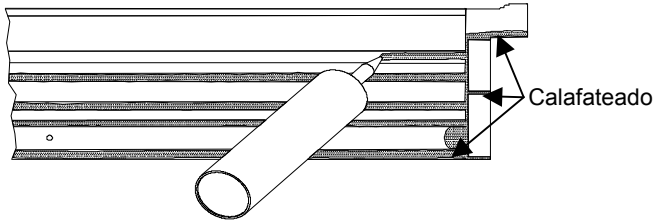


Figura 1a (que abre para adentro)

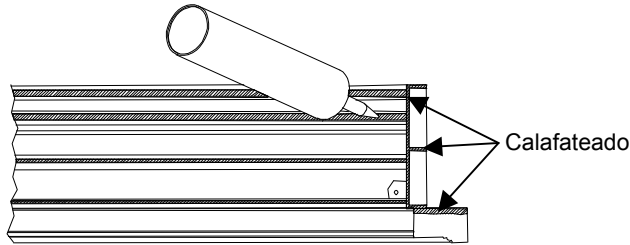


Figura 1b (que abre para afuera)

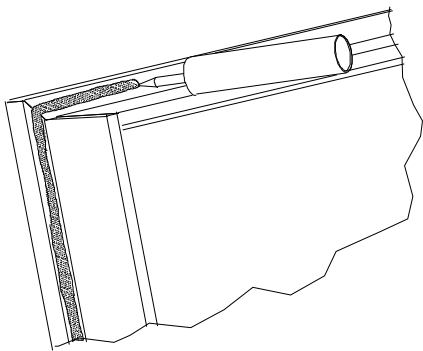


Figura 1c

2

Para una puerta única, retire el tornillo del conector plástico de la puerta. Desde la parte externa, coloque la unidad de la puerta en la abertura según la figura 2a. Para un sistema de puerta más pesado, solicite ayuda para levantarla, colocarla y alinearla.

Desde la parte interna, coloque una cuña sólida directamente detrás de cada bisagra entre la jamba de bisagra (o aproximadamente en el mismo nivel de las bisagras en la jamba de la ventana lateral) y el marco de abertura, según la figura 2b. Mantenga la unidad de la puerta nivelada, encuadrada y nivelada verticalmente en los cuatro laterales. Retire por completo el conector plástico de la puerta.

En forma temporaria asegure la unidad de la puerta al marco con dos tornillos de grado exterior n° 8 de 3" o dos clavos de acabado 10d. Ajuste aproximadamente a 2" debajo de la bisagra superior o a 2" encima de la bisagra inferior a través de la jamba dentro de la abertura del marco.

Asegúrese de que el contacto del burlete y el margen estén igualados. Haga más ajustes para nivelar, encuadrar y nivelar verticalmente. Utilice 3 o 4 (puerta de 8 pies) cuñas sólidas entre la jamba de enclavamiento y el marco de abertura según la figura 2b. Se pueden utilizar cuñas adicionales para mantener la puerta alineada. Realice una prueba para asegurar el funcionamiento correcto de la puerta.

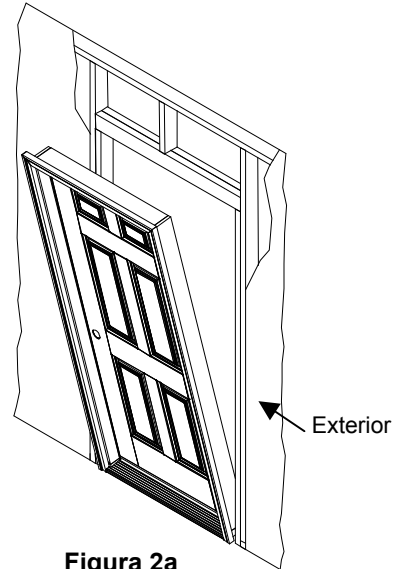


Figura 2a

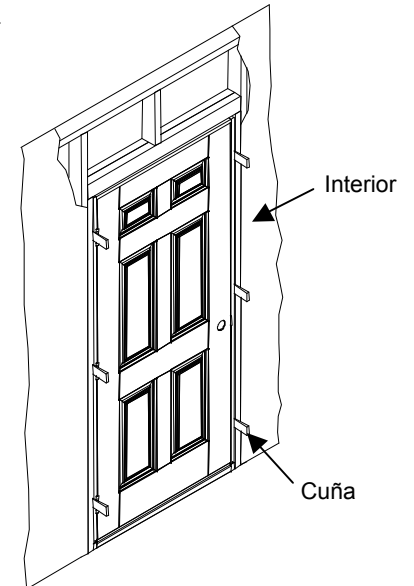


Figura 2b

Ajuste en forma permanente tornillos de grado exterior de 3" (no incluidos) a través de las jambas en la cuña y el marco. No ajuste en exceso los tornillos. El ajuste excesivo puede ocasionar que las jambas se doblen. Retire las cuñas excesivas y los sujetadores temporarios. No acufie o ajuste la jamba de cabeza de una unidad de puerta única.

Perforación Adicional para Puerta Única con Listones

Acufie por encima del marco según la figura 2c. Ajustar los tornillos de grado exterior de 3" (no incluidos) a través de la jamba de cabeza en la cuña y el marco. Retire la cuña excesiva.

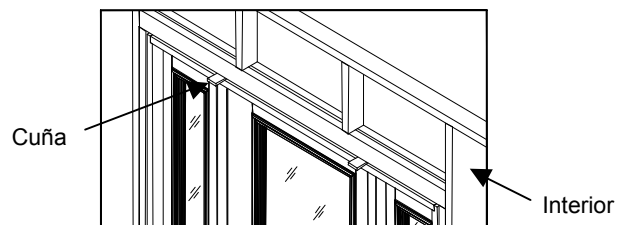


Figura 2c

Fijación y Perforación Adicional para Unidades de Puerta Doble

Ajustar permanentemente los tornillos de grado exterior de 3" (no incluido) a través de la jamba de cabeza en el marco en los lugares que se muestran en la figura 2d. No acufñar.

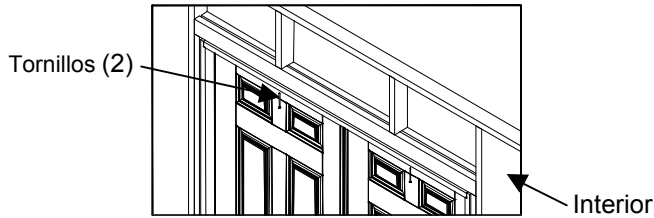


Figura 2d

Insertar la placa de retención astrágalo y la arandela aislante para unidades de puerta doble.

Tras alinear correctamente la puerta doble, utilizar los pernos astrágalo para marcar y perforar un agujero de 3/8" de diámetro y de 1 3/8" de profundidad mínima a través de la jamba superior y uno de 5/8" de diámetro y de 1 3/8" de profundidad mínima a través del umbral, de acuerdo a las figuras 2e, 2f y 2g. Pre-perforar (2) agujeros piloto de 1/16" para los tornillos montantes de la jamba superior. Instalar la placa de retención en la jamba superior utilizando el herramental incluido e insertar la arandela aislante en el agujero de 5/8" que se realizó en el umbral.

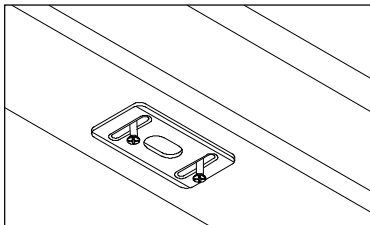


Figura 2e

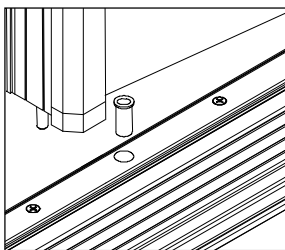


Figura 2f

(Umbral de balanceo interno)

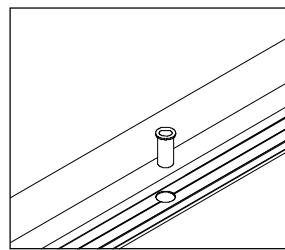


Figura 2g

(Umbral de balanceo externo)

Posicionamiento de las placas del cerrojo del pasador y de la placa hembra para unidades de puerta doble

Cerrar ambas puertas. Marcar las posiciones deseadas para las placas del cerrojo del pasador y de la placa hembra. Aflojar los tornillos de retención (no quitar completamente los tornillos). Colocar las placas del cerrojo del pasador y de la placa hembra en posición (imagen a la izquierda de la figura 2h) y ajustar los tornillos. Utilizar sólo los tornillos que vinieron con los sostenes. No utilizar otros tornillos ya que estos pueden generar un mal-funcionamiento de las puertas. Verificar las posiciones y ajustar según se lo requiera.

Instalar protectores de bordes en las unidades de puerta doble

Cortar los protectores de borde para que los extremos finales encajen debajo de las placas del cerrojo del pasador/placa hembra y embutir contra los sostenedores del cerrojo del pasador y de la placa hembra (como se visualiza a la derecha de la figura 2h [1,2,3]).

Aflojar los tornillos de las placas de la placa hembra y del pasador del cerrojo y deslizar el protector de bordes por debajo. Acomodar los protectores en su lugar y ajustar los tornillos.

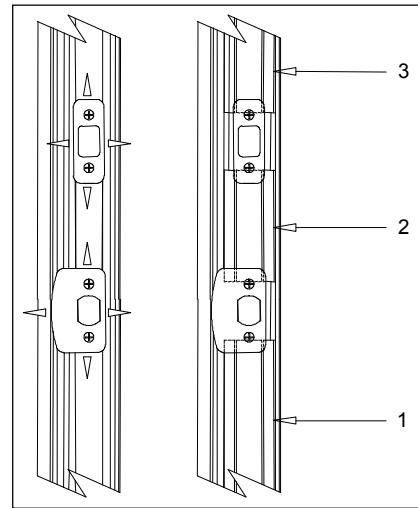


Figura 2h

- 3 Instale 2 tornillos en la ubicación que se muestra en la Figura 3 en la bisagra superior y 1 en cada una de las 2 o 3 bisagras inferiores (puerta de 8 pies) (tornillos incluidos en el kit de instalación).

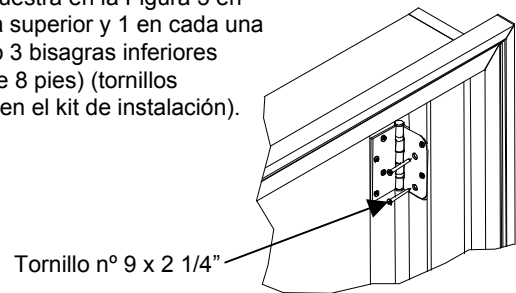


Figura 3

- 4 Para una puerta que abre para adentro con umbral ajustable, ajuste el umbral según la Figura 4 de manera que exista un contacto uniforme entre el barrido de la puerta y el umbral. Para probar, coloque una lámina de papel entre el barrido de la puerta y el umbral, cierre la puerta y tire. El ajuste correcto tendría una leve tensión, pero si se divide el papel, la tensión es demasiado alta.

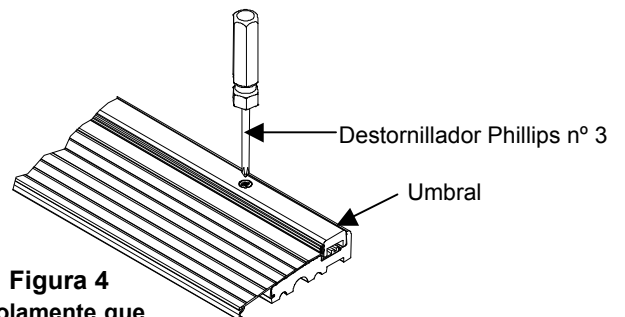


Figura 4
(solamente que se abre para adentro)

- 5 IMPORTANTE:** Para puertas que se abren para adentro, instale dos selladores de ángulos (incluidos en el kit de instalación) en cada una de las partes inferiores de las jambas de una puerta activa, de acuerdo a la Figura 5a. Para un sistema de puerta doble, verifique que una almohadilla hermética de esquina se haya instalado en la parte inferior del lado de la puerta activa de un atrárgalo. El sellador de ángulo se debe colocar por debajo del burlete. Aplique el calafateado en la intersección de las jambas, molduras, umbral y piso. Para las puertas que se abren para adentro, también aplique el calafateado en la intersección de las jambas, molduras, umbral y piso según la figura 5b.

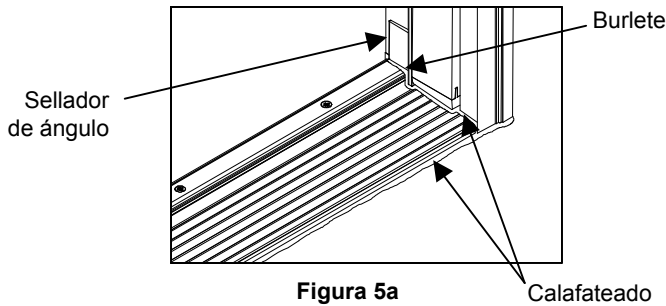


Figura 5a
(que abre para adentro)

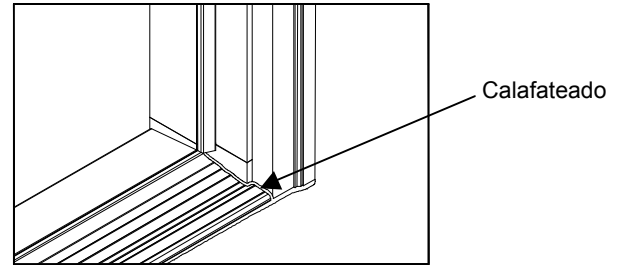


Figura 5b
(que abre para afuera)

INSTRUCCIONES DE ACABADO

La tintura o pintura de una puerta de fibra de vidrio Feather River nunca ha sido fácil. Nuestra puerta de fibra de vidrio no requiere de kits de tintura especiales o pintura base. Utilice la misma pintura o tinte exterior que utilizaría para el acabado de otras molduras de su hogar. **Tenga en cuenta que una puerta sin pintar, lisa símil madera tostada se debe terminar dentro de los 6 meses posteriores a su adquisición.** Cuando se termine, retire la puerta del marco y coloque la puerta en una superficie lisa y nivelada del piso. Las ventanas laterales necesitan terminarse mientras se adjuntan al marco.

Precaución: Pinte o tiña en un área bien ventilada. Mantenga la pintura, tintura y pintura para acabado lejos del calor y la llama. Mantenga fuera del alcance de los niños.

Acabado con tintura

Todas las superficies de una puerta símil madera tostada no se pueden teñir. La superficie de nuestra puerta de fibra de vidrio con textura patentada produce una adhesión de tintura superior sin lijar. Seleccione una tintura a base de agua de alta calidad de Minwax® o Behr® o una tintura en gel de alta calidad de Minwax® u Olympic®. O, seleccione una tintura a base de aceite de alta calidad de Ace®, Minwax®, o Zar®. Antes de aplicar una tintura, limpie la puerta de fibra de vidrio y el marco de la puerta con un paño seco para retirar cualquier suciedad, aceite o desechos. Deje que la superficie se seque por completo antes de iniciar la tintura. Aplique una cantidad de tintura uniforme con un cepillo o un paño sin pelusas en la dirección de la madera según se muestra en la figura 6. Trabaje con tintura en la superficie. Aclare la tintura y retire el exceso mediante el barrido con un paño limpio antes de que la tintura se seque por completo. Para una apariencia más oscura, aplique una segunda capa después de que se seque la primera. Siga las instrucciones de aplicación de la etiqueta del recipiente de la tintura. Después de que se seque la tintura para al menos 24 horas, aplique tres capas de satinado para exteriores de alta calidad o poliuretano brillante en dirección de la madera. Cumpla con el tiempo de secado que figura en la etiqueta entre cada capa. **Importante:** Utilice poliuretano con inhibidores ultravioletas (UV).

Acabado con pintura

Las puertas de fibra de vidrio, lisas sin pintar/pre-pintadas se pueden pintar con la mayoría de las pinturas de exterior a base de aceite, de alta calidad. Para las puertas lisas, sin pintar, recomendamos lijarlas suavemente con papel de lija granulada de 600 para obtener mejores resultados. Antes de aplicar una pintura, limpie la puerta de fibra de vidrio y el marco de la puerta con un paño seco para retirar cualquier suciedad, aceite o desechos. Deje que la superficie se seque por completo antes de iniciar la pintura. Pinte la puerta en las direcciones que se muestran en la figura 6. Aplique al menos dos capas de pintura. Cumpla con el tiempo de secado recomendado en la etiqueta entre cada capa.

Componentes del acabado de madera

Tanto las puertas de fibra de vidrio no terminadas como las pre-acabadas vienen de fábrica con una capa de pintura base en las jambas y molduras, a menos que se especifique en el pedido la eliminación de los componentes de la madera. Recomendamos teñir las jambas, molduras y otros componentes de la madera o los astrárgalos que admitan pintura de acuerdo a las instrucciones de acabado que figuran arriba. Aplique 2 o 3 capas de poliuretano para exteriores con inhibidores ultravioletas (UV). Lije levemente con papel de lija granulada de 600 entre las capas para obtener un acabado más liso. Si se desea pintura sobre los componentes de la madera, utilice la pintura a base de aceite o látex acrílico para exteriores de alta calidad. Utilice un relleno para madera para masillar las marcas ocasionadas por los clavos en la madera antes de comenzar con la tintura o pintura. **Los componentes de la madera deben ser acabados a 2 semanas de la instalación. AVISO PARA EL ASTRÁRGALO APTO PARA PINTAR:** Para proteger la integridad del echapado de madera y de su adhesivo de unión, no exponer el astrárgalo a los aceites, diluyentes, limpiadores a base de solventes o semejantes. El astrárgalo apto para ser pintado debe ser acabado antes de ser instalado en la abertura de la puerta y ser expuesto a la intemperie.

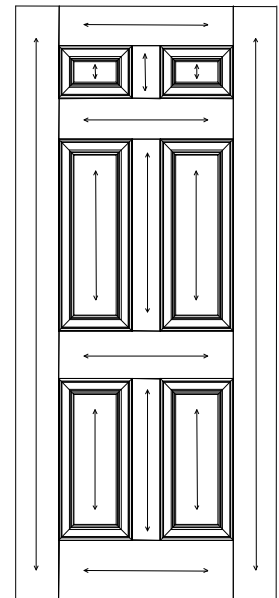


Figura 6

CUIDADO Y MANTENIMIENTO

Puertas con textura de madera acabadas: Con el tiempo, la exposición a la intemperie degradará aún el mejor acabado de fibra de vidrio. Recomendamos volver a aplicar una capa de UV sobre la capa superior ya existente cada 2-3 años. No se recomienda remover la capa de acabado que viene de fábrica. En los lugares de severa exposición a la intemperie, se puede requerir un mantenimiento más frecuente. El desvanecimiento, y los agrietamientos y descascarillados menores son algunos de los signos iniciales de deterioro de la capa superior de UV.

Puertas de fibra de vidrio pintadas y componentes de madera: Volver a pintar las puertas, jambas y moldes de ladrillo tan pronto como ocurra la decoloración. Los signos iniciales de deterioro son la decoloración, las quebraduras, el burbujeo y descascarillado.

Burletes: Sustituir los burletes de compresión, barrido de la puerta, y almohadillas herméticas cuando están desgastados o quebrados.

Calafateo: Al igual que con el acabado es esencial que se realice el mantenimiento adecuado del calafateo o sellador al deteriorarse. Toda área deteriorada se debe volver a calafatear en base a las áreas señaladas en las instrucciones de instalación. (El borde exterior de la fachada exterior, el borde exterior de la jamba, base de la jamba a umbral/larguero). Aviso: todos los marcos para puerta de fibra de vidrio de Feather River vienen pre-calafateados de fábrica. El exceso de sellador en el marco de la puerta es normal y no indica la existencia de un vidrio defectuoso. En algunos casos, con el correr del tiempo se puede experimentar un exceso de calafateo/ infiltración de sellador alrededor del marco de la puerta. En la mayoría de los casos, esto sucede durante la acumulación extrema de calor o cuando se expone la puerta a los rayos directos del sol. El exceso de sellador en el vidrio se puede retirar con cuidado con una hoja de afeitar y despegándolo. El exceso de sellador del lado del vidrio puede removerse mejor con una hoja de afeitar. Sin embargo, el sellador del lado del acabado debe removerse sin usar la hoja de afeitar después de marcar por primera vez alrededor del perímetro del marco.

Tapones de marcos de puerta: Toda puerta con marco viene con tapones suficientes como para rellenar todos los agujeros de los tornillos. Todos los tornillos deben estar bien ajustados a los agujeros cuando se instalan para prevenir caídas. Para instalar tapones de tornillos, alinee el tapón del tornillo con el agujero e inserte en un leve ángulo para comenzar. En algunos casos, es posible que pueda empujar el tapón a su lugar con la mano. En la mayoría de los casos, deberá utilizar un pequeño martillo de cabeza redonda y golpear levemente en su lugar y tomar el atornillador por su manija y golpear con el martillo. Si parece que los tapones roscados se encuentran demasiado ajustados para encajar en los agujeros, coloque el paquete de tapones roscados en el refrigerador por alrededor de una hora antes de instalarlos o lije o lime la parte inferior del mismo para que encaje en el agujero del mismo.

Curvatura térmica: En algunas áreas con fluctuaciones de temperatura, su puerta puede experimentar signos de curvatura por algunos días. Esto se debe normalmente a la diferencia de temperatura de la parte exterior e interior de la casa. En la mayoría de los casos la puerta debe volver a la posición normal. Esto es además común durante el primer par de semanas una vez instalada la puerta, a medida que la puerta se adapta a la abertura. Sin embargo, en áreas o condiciones de exposición de la puerta a temperaturas extremas, se puede esperar cierta combadura permanente. En áreas de exposición a temperaturas extremas, el efecto de la temperatura sobre la puerta se puede reducir siguiendo las recomendaciones que se enumeran a continuación.

Exposición y protección de la puerta: Las puertas protegidas de la intemperie necesitarán obviamente menos mantenimiento y re-acabado a comparación de las puertas expuestas a la intemperie. Por lo tanto los salientes ayudarán a proveer una protección duradera a su entrada además de menos mantenimiento.

Opción de color: Al igual que con los salientes, los colores de la puerta pueden ayudar a reducir el mantenimiento periódico y ayudar en el funcionamiento de la puerta, especialmente en áreas donde las puertas reciben gran exposición solar sin protección. Los colores oscuros, absorberán más calor que los claros. Por lo tanto, si una puerta se encuentra absorbiendo mucho calor o posee una exposición contante al mismo, es más probable que surja un deterioro de la capa superior UV, decoloración e incluso problemas de combadura a causa de las diferencias de temperatura. Los colores claros en estas situaciones ayudarán a reducir la absorción de calor y a prolongar la vida útil de las puertas además de reducir el mantenimiento general de las mismas.

Puertas anti-tormenta: Nuestras puertas son resistentes a los impulsos por lo que no es necesaria una protección anti-tormentas. Si adquiere una puerta anti-tormentas tenga en cuenta que debe ventilarse para ayudar a reducir la acumulación de calor. Las puertas anti-tormenta no-ventiladas en áreas donde no existe saliente ni exposición constante al sol son más propensas a padecer problemas más rápidamente a causa del extremo calor: (deterioro UV, decoloración, combaduras, infiltraciones de calafateo /sellador).