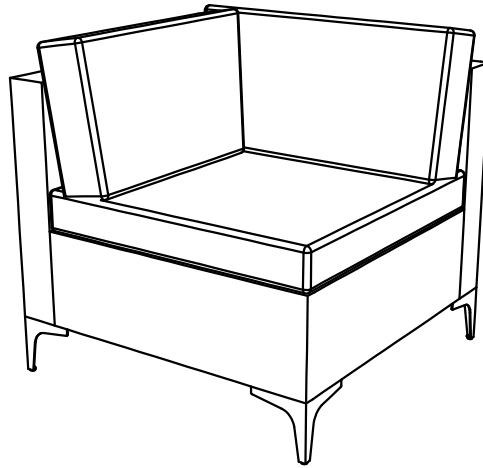


# Assembly Instruction

## Advice:

1. Power tools are suggested to be used during installation.
2. More than one person may be required to assemble this product.
3. The best advice is not tightening up any screws until the whole piece is assembled. If having difficulty aligning holes, loosen the screws already installed and readjust the armrest.
4. To avoid mess-up or mismatch, please use the hardware of each box to install the furniture in the same box.



Right Arm Sofa

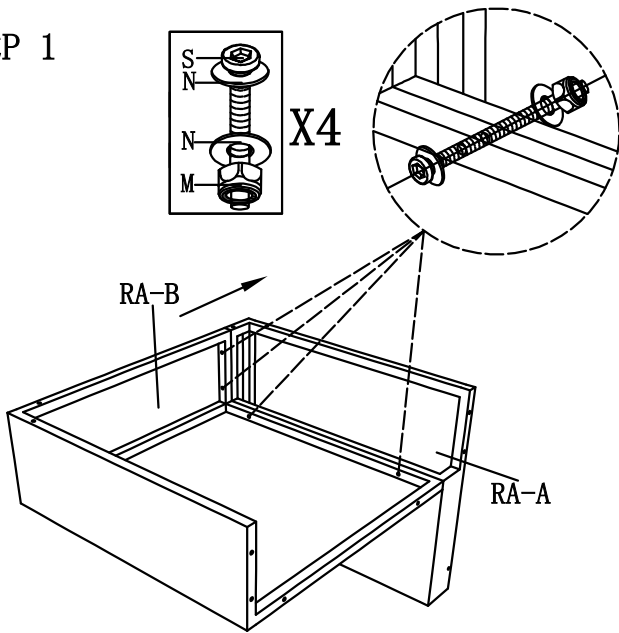


Assembly Video

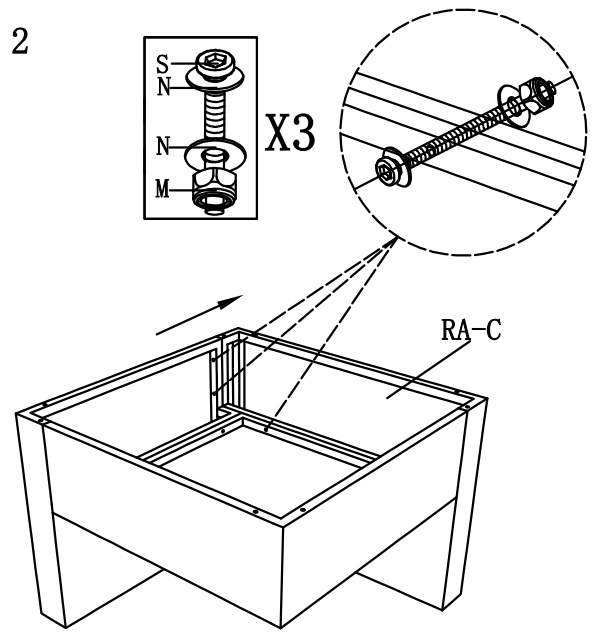
## Parts List

NO.	Picture	Description	QTY				
RA-A		Chair Back	1	RA-D		Sofa Leg	4
RA-B		Chair Seat	1	N		Washer (M6)	29
RA-C		Right Arm	1	Z		Screw (M6*16)	8
RA-E		Back Cushion	1	S		Screw (M6*60)	10
RA-F		Seat Cushion	1	P		Screw (M6*95)	1
RA-G		Armrest Cushion	1	M		Nut (M6)	10
				L		Allen Key	1
				J		Wrench (M6)	1

STEP 1

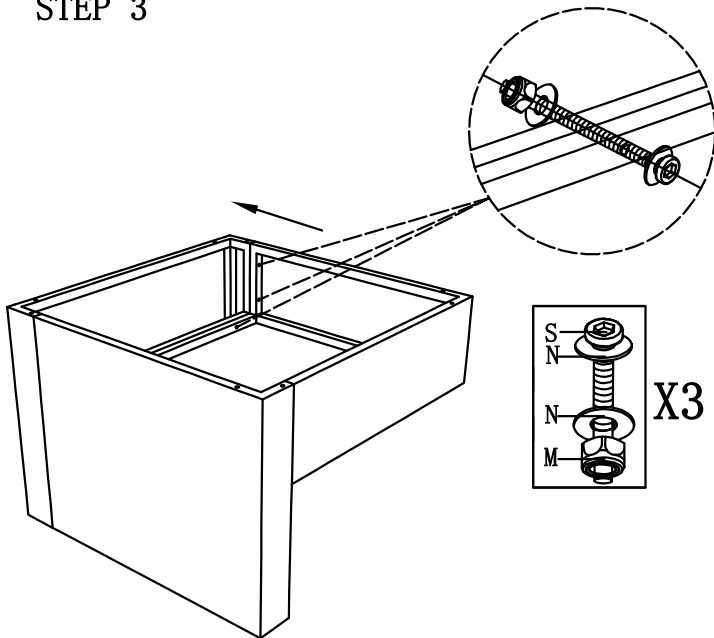


STEP 2

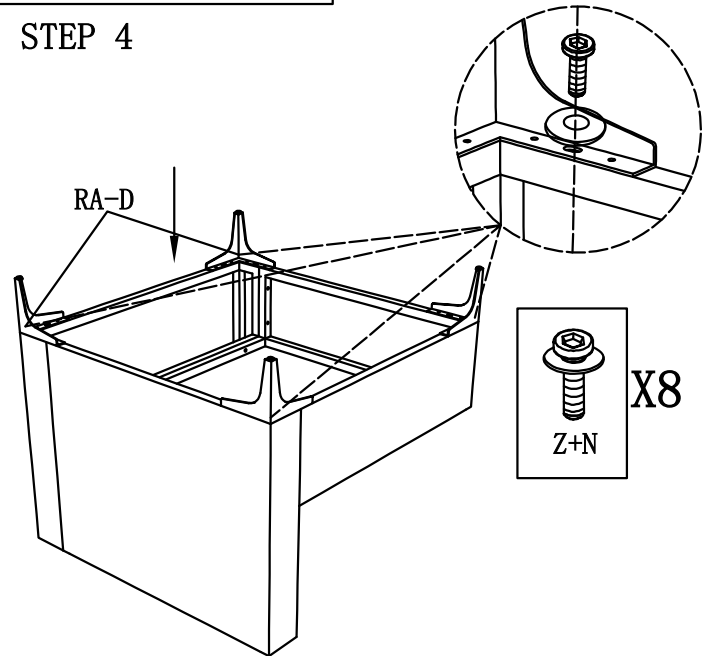


The best advice is not tightening up any screws until the whole piece is assembled.

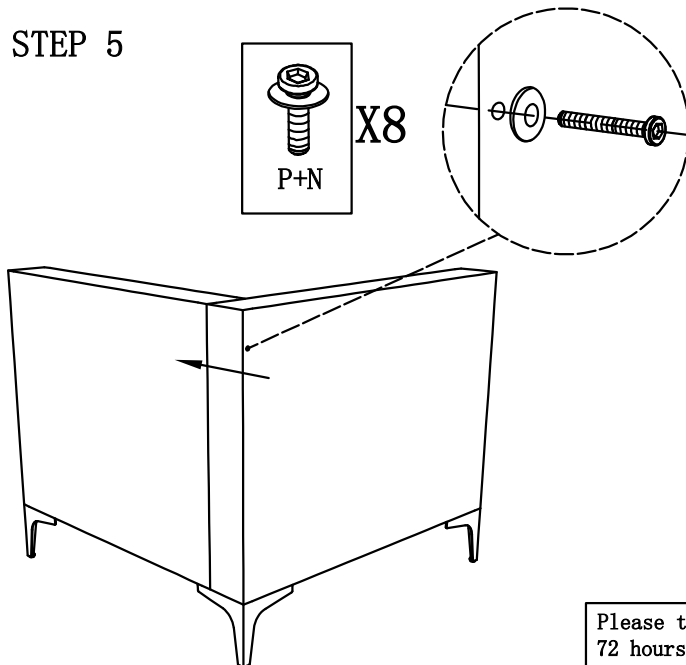
STEP 3



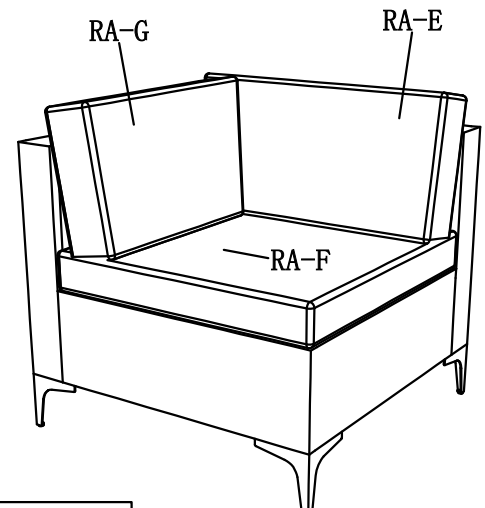
STEP 4



STEP 5



FINISH

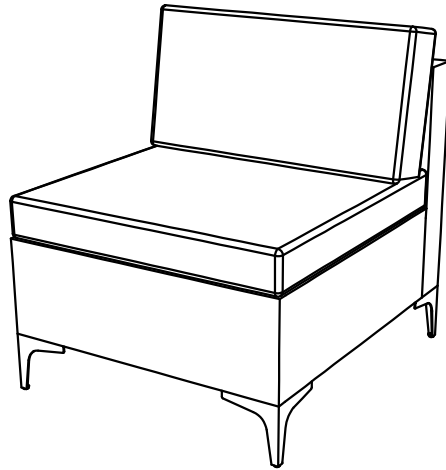


Please tap the cushions and wait 48 to 72 hours to fully rebound

# Assembly Instruction

## Advice:

1. Power tools are suggested to be used during installation.
2. More than one person may be required to assemble this product.
3. The best advice is not tightening up any screws until the whole piece is assembled. If having difficulty aligning holes, loosen the screws already installed and readjust the armrest.
4. To avoid mess-up or mismatch, please use the hardware of each box to install the furniture in the same box.

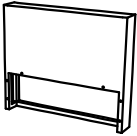

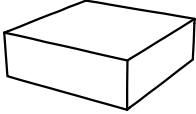







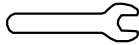


Armless Sofa #2

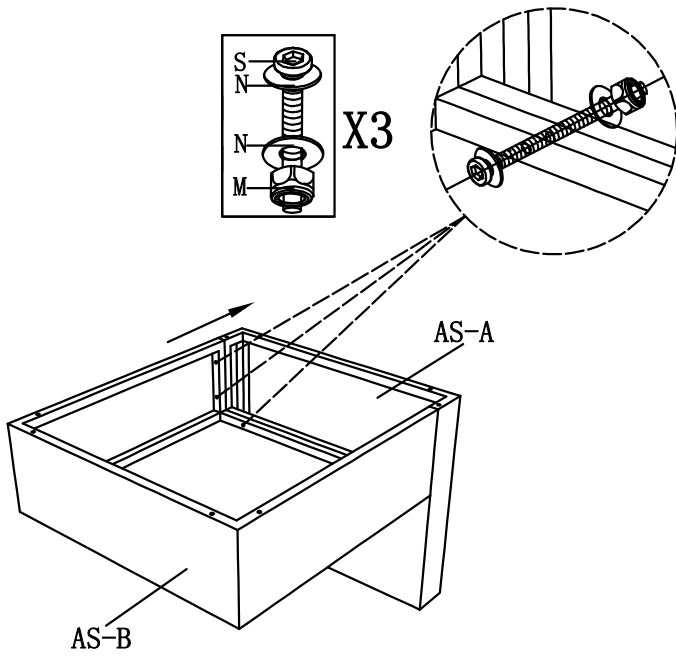


Assembly Video

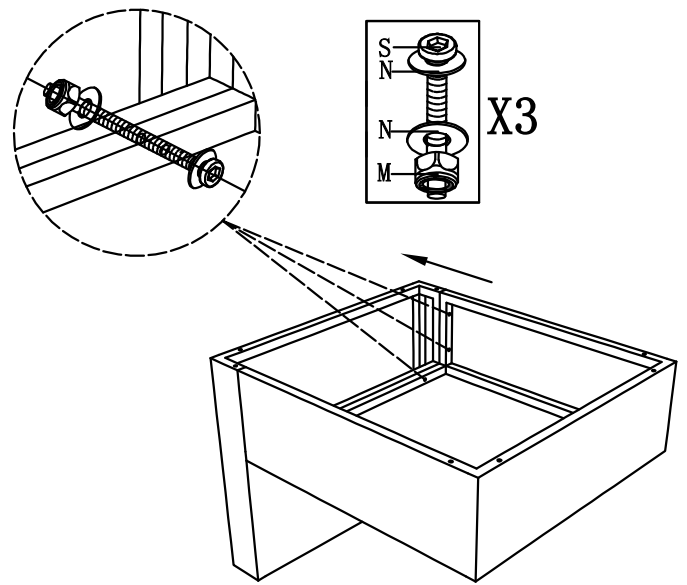
## Parts List

NO.	Picture	Description	QTY	NO.	Picture	Description	QTY
AS-A		Chair Back	1	N		Washer (M6)	20
AS-B		Chair Seat	1	Z		Screw (M6*16)	8
AS-D		Sofa Leg	4	S		Screw (M6*60)	6
AS-E		Back Cushion	1	M		Nut (M6)	6
AS-F		Seat Cushion	1	L		Allen Key	1
				J		Wrench (M6)	1

STEP 1

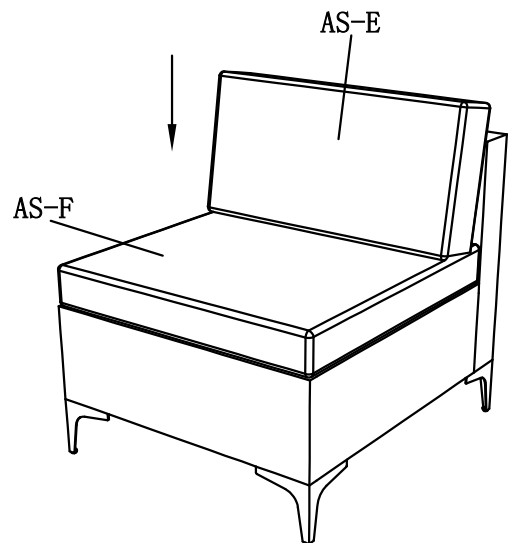
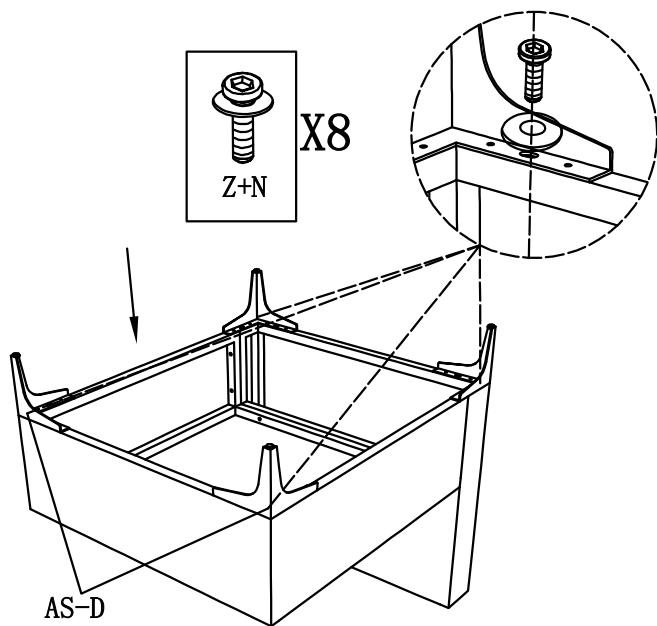


STEP 2



The best advice is not tightening up any screws until the whole piece is assembled.

STEP 3

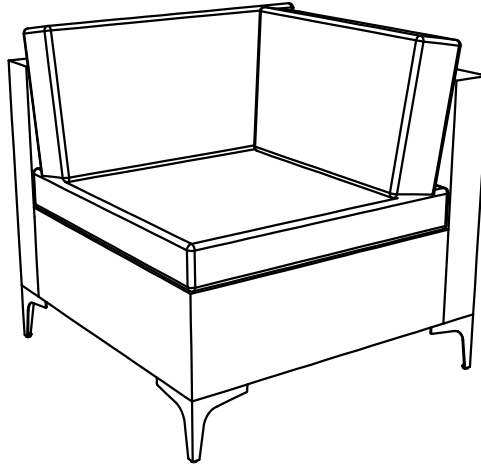


Please tap the cushions and wait 48 to 72 hours to fully rebound

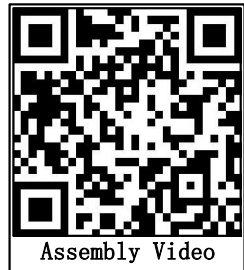
# Assembly Instruction

## Advice:

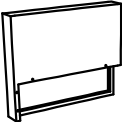

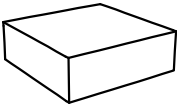

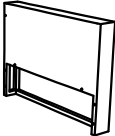





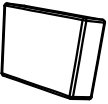


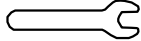
1. Power tools are suggested to be used during installation.
2. More than one person may be required to assemble this product.
3. The best advice is not tightening up any screws until the whole piece is assembled. If having difficulty aligning holes, loosen the screws already installed and readjust the armrest.
4. To avoid mess-up or mismatch, please use the hardware of each box to install the furniture in the same box.



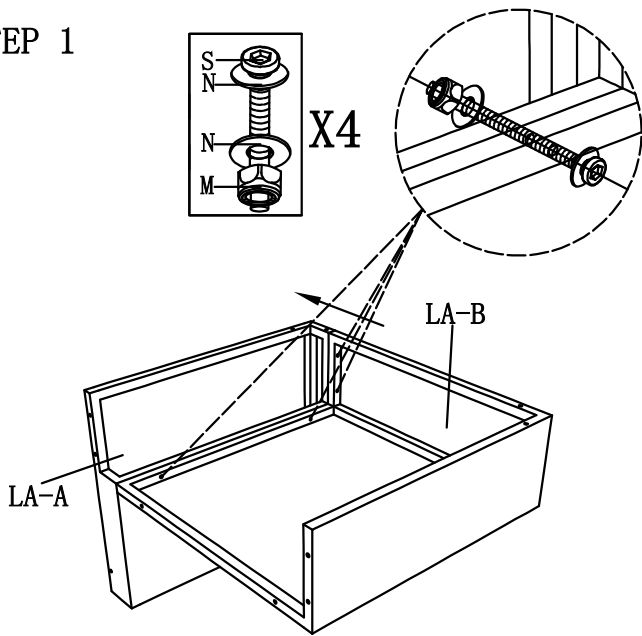
Left Arm Sofa



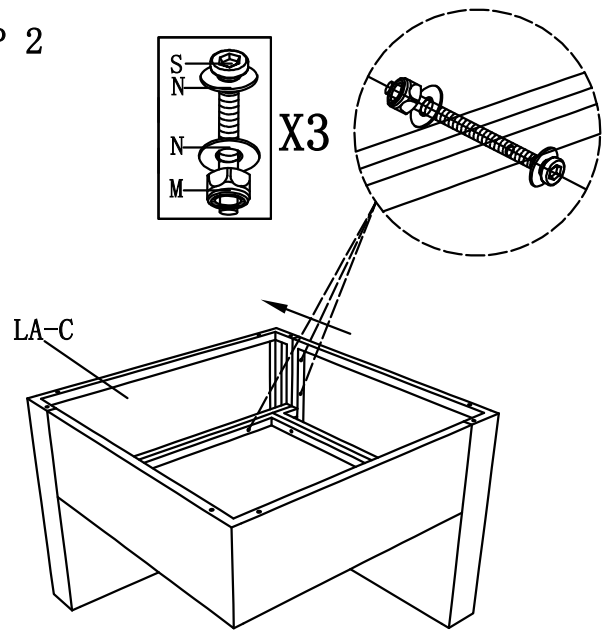
## Parts List

NO.	Picture	Description	QTY				
LA-A		Chair Back	1	LA-D		Sofa Leg	4
LA-B		Chair Seat	1	N		Washer (M6)	29
LA-C		Left Arm	1	Z		Screw (M6*16)	8
LA-E		Back Cushion	1	S		Screw (M6*60)	10
LA-F		Seat Cushion	1	P		Screw (M6*95)	1
LA-G		Armrest Cushion	1	M		Nut (M6)	10
				L		Allen Key	1
				J		Wrench (M6)	1

STEP 1

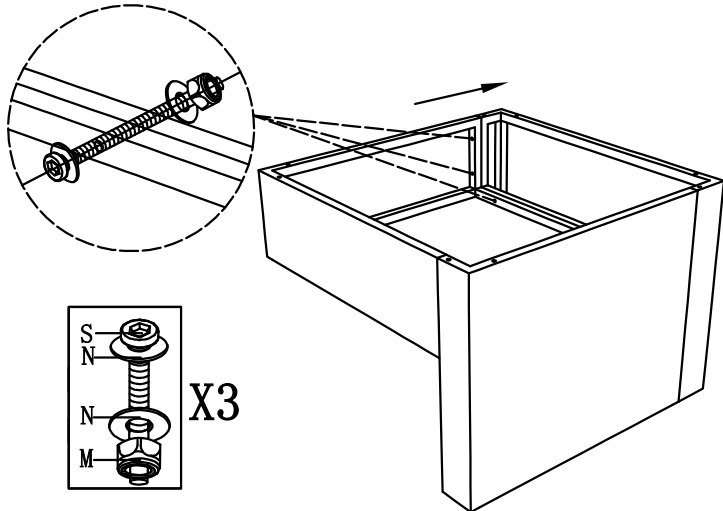


STEP 2

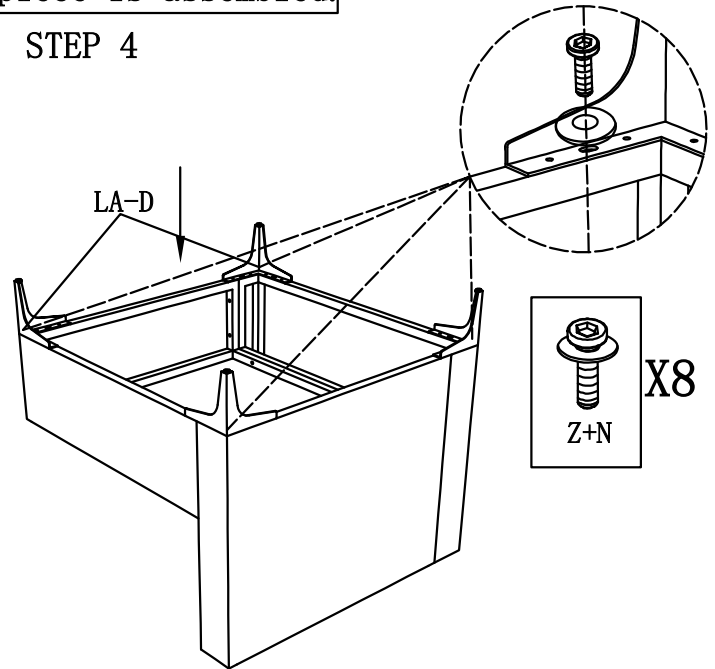


The best advice is not tightening up any screws until the whole piece is assembled.

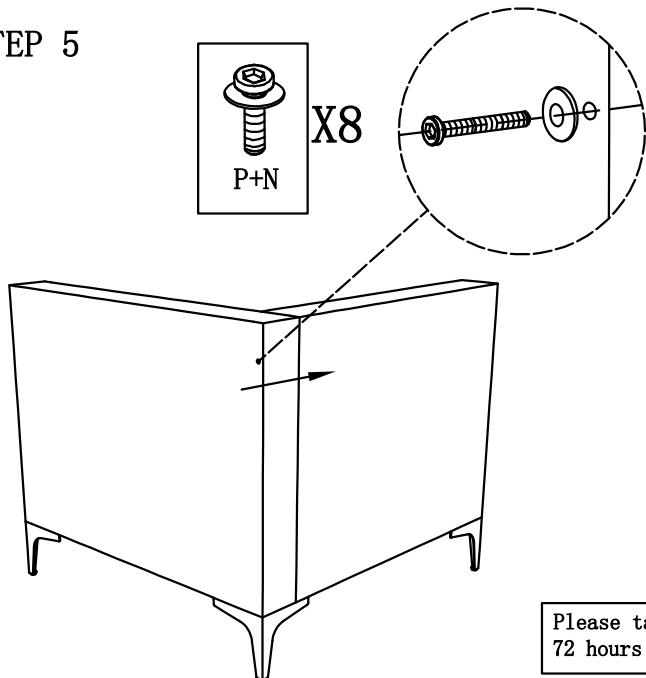
STEP 3



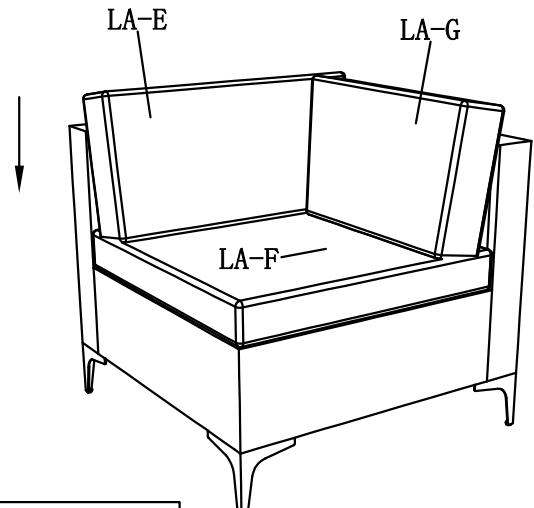
STEP 4



STEP 5



FINISH



Please tap the cushions and wait 48 to 72 hours to fully rebound

# Assembly Instruction

## Advice:


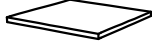



1. Power tools are suggested to be used during installation.
2. More than one person may be required to assemble this product.
3. The best advice is not tightening up any screws until the whole piece is assembled. If having difficulty aligning holes, loosen the screws already installed and readjust the armrest.
4. To avoid mess-up or mismatch, please use the hardware of each box to install the furniture in the same box.







Single Swivel Chair

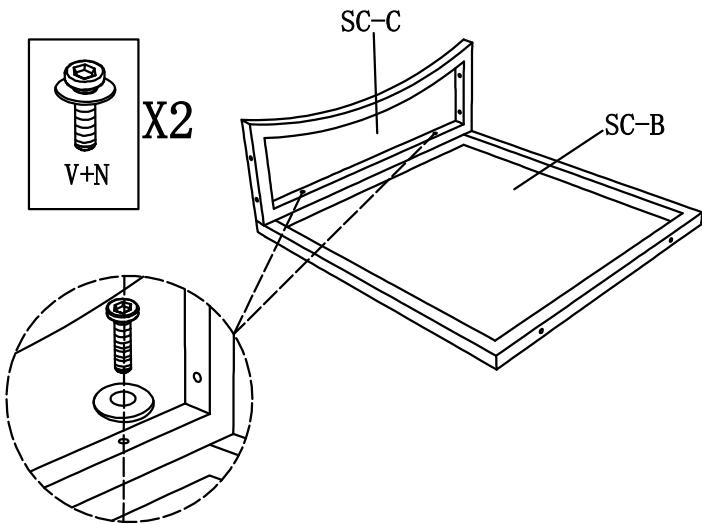


## Parts List

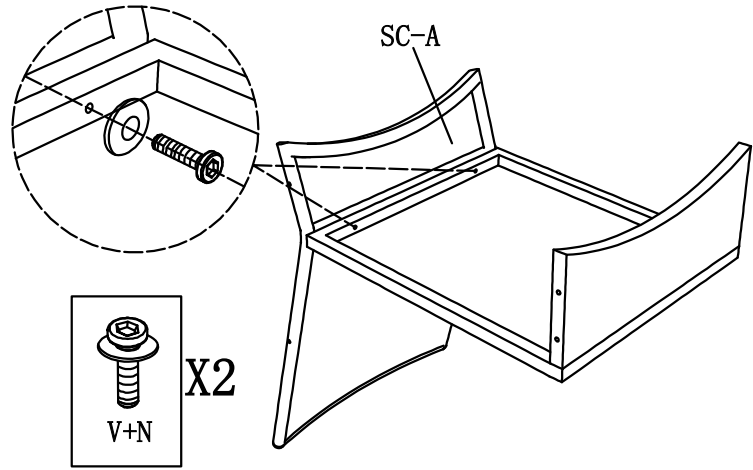
NO.	Picture	Description	QTY
SC-A		Chair Back	1
SC-B		Chair Seat	1
SC-C		Front Panel	1
SC-D		Right Arm	1
SC-E		Left Arm	1

NO.	Picture	Description	QTY
V		Screw (M6*35)	8
U		Screw (M6*40)	4
N		Washer (M6)	12
L		Allen Key	1

STEP 1

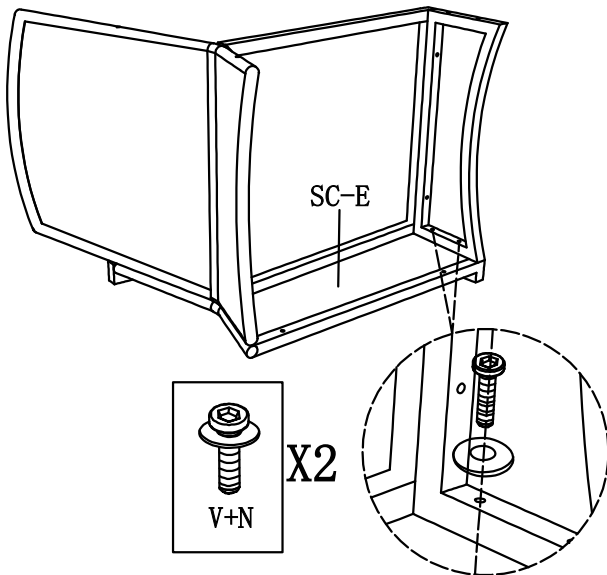


STEP 2

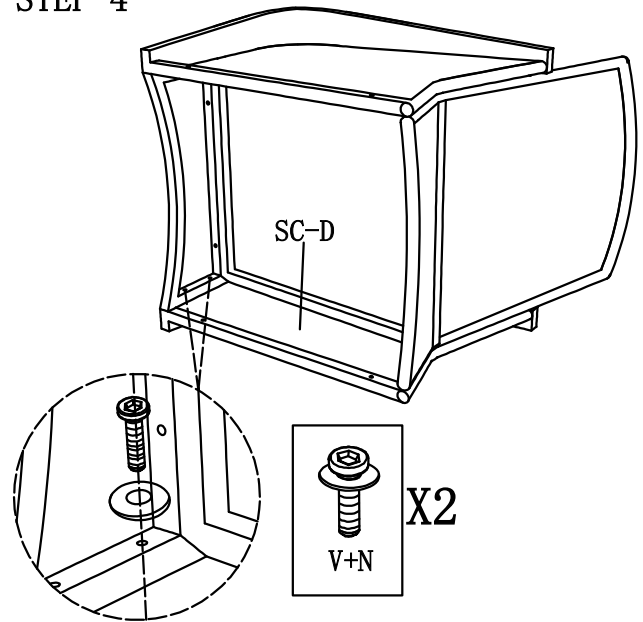


The best advice is not tightening up any screws until the whole piece is assembled.

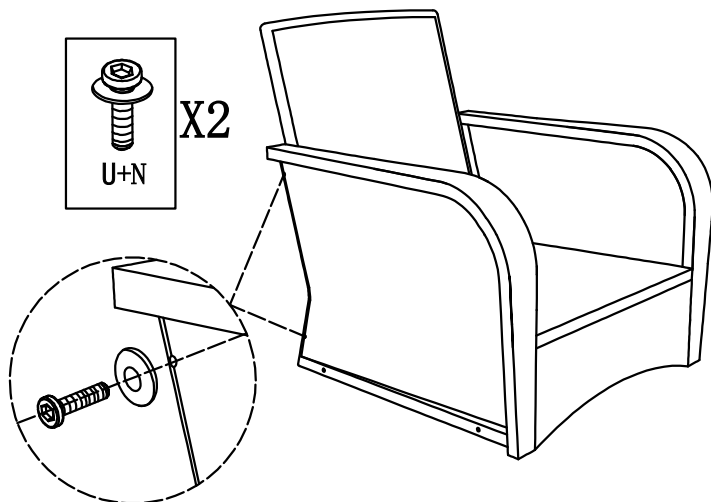
STEP 3



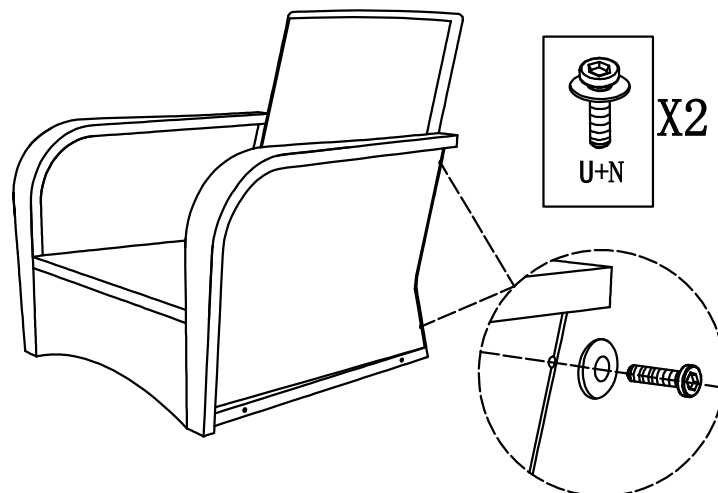
STEP 4



STEP 5



FINISH



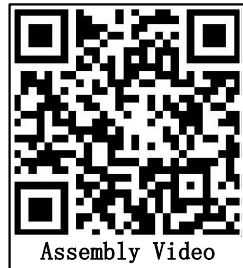
# Assembly Instruction

## Advice:






1. Power tools are suggested to be used during installation.
2. More than one person may be required to assemble this product.
3. The best advice is not tightening up any screws until the whole piece is assembled. If having difficulty aligning holes, loosen the screws already installed and readjust the armrest.
4. To avoid mess-up or mismatch, please use the hardware of each box to install the furniture in the same box.






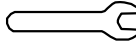


Single Swivel Chair

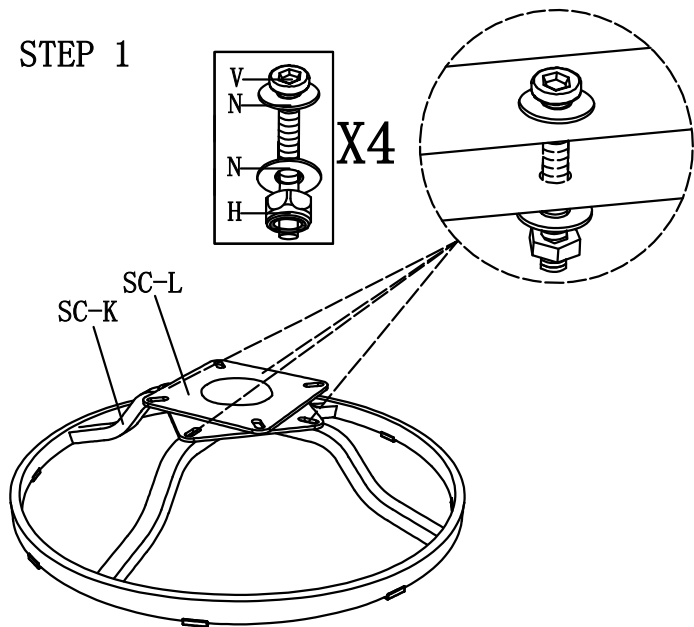


## Parts List

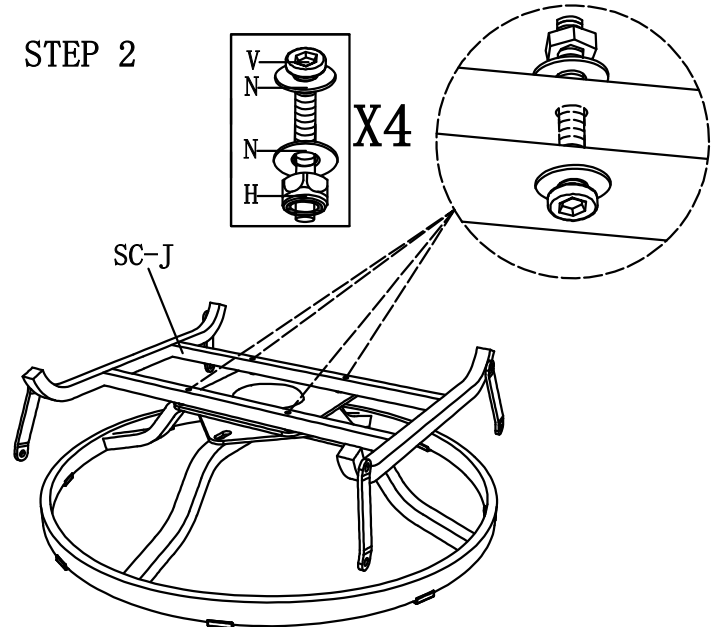
NO.	Picture	Description	QTY
SC-G		Back Cushion	1
SC-H		Seat Cushion	1
SC-J		Chair Base #1	1
SC-K		Chair Base #2	1
SC-L		Chair Base #3	1

NO.	Picture	Description	QTY
V		Screw (M6*35)	8
T		Screw (M6*45)	4
N		Washer (M6)	24
H		Anti-slip Screw (M6)	12
L		Allen Key	1
J		Wrench (M6)	1

STEP 1

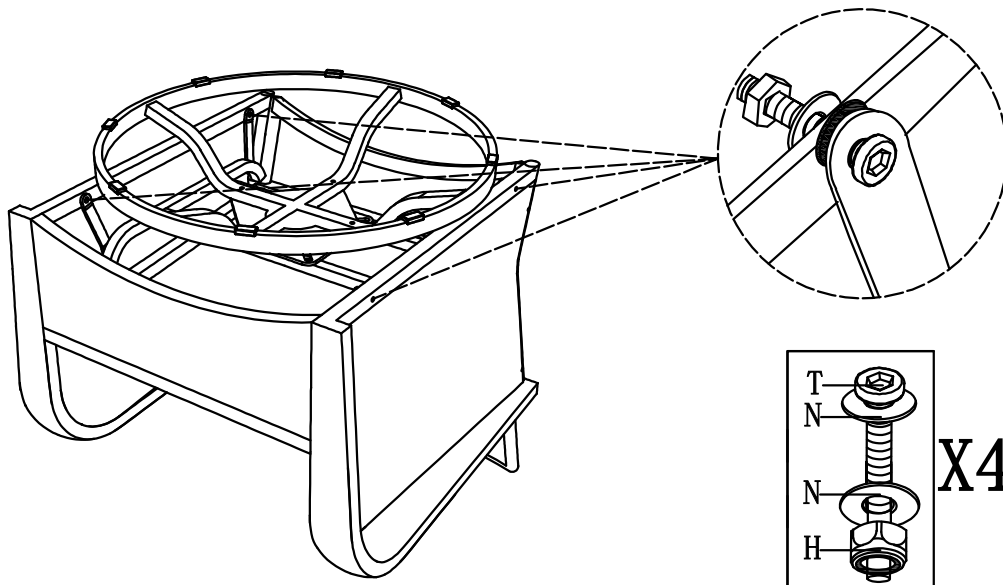


STEP 2

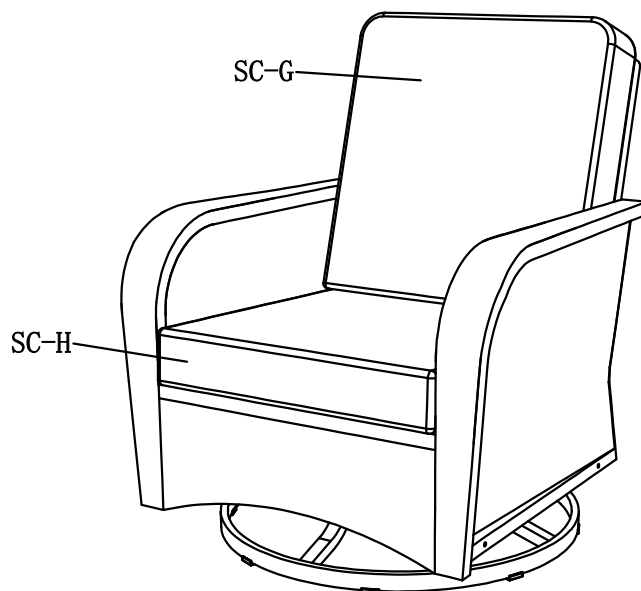


The best advice is not tightening up any screws until the whole piece is assembled.

STEP 3



FINISH



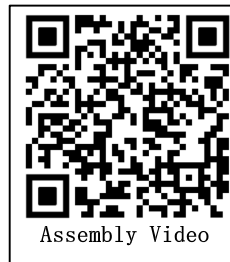
# Assembly Instruction

## Advice:


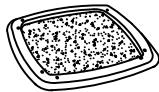




1. Power tools are suggested to be used during installation.
2. More than one person may be required to assemble this product.
3. The best advice is not tightening up any screws until the whole piece is assembled. If having difficulty aligning holes, loosen the screws already installed and readjust the armrest.
4. To avoid mess-up or mismatch, please use the hardware of each box to install the furniture in the same box.



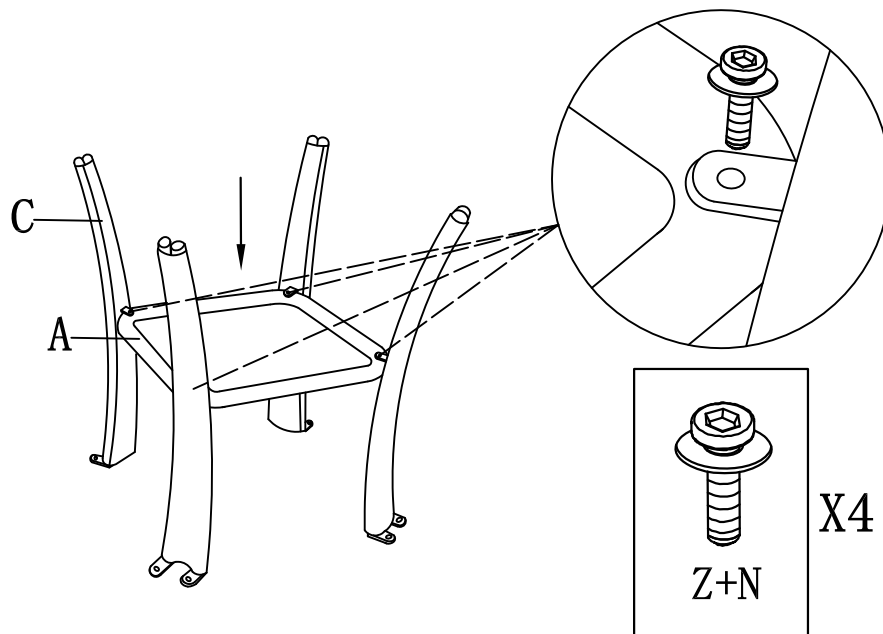
Side Table



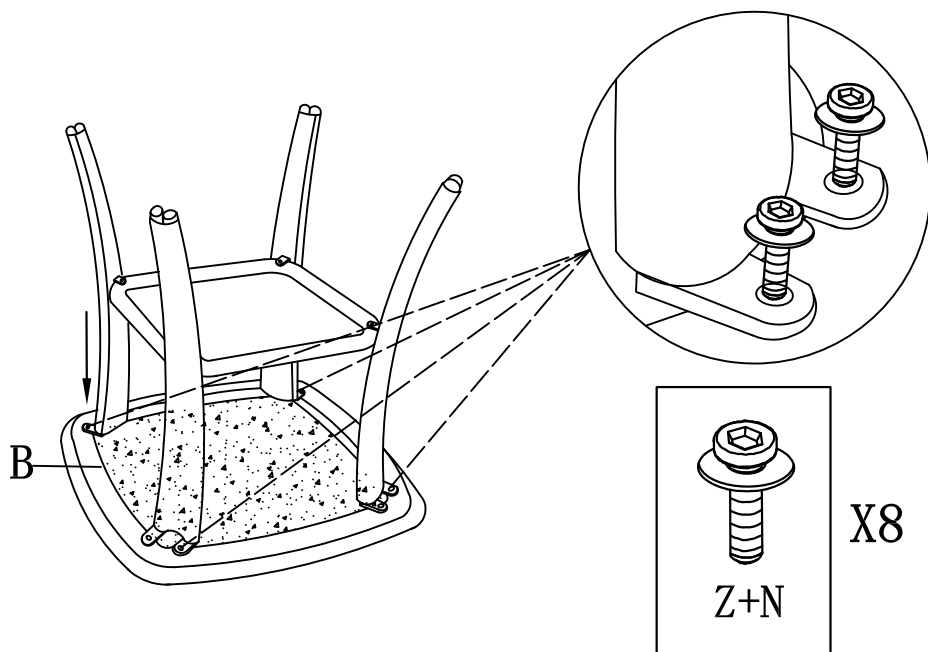
## Parts List

Part Number	Picture	Description	QTY
A		Wicker Layer	1
B		Desktop	1
C		Table Leg	4
N		Washer (M6)	12
L		Allen Key	1
Z		Screw (M6*16)	12

STEP 1



STEP 2



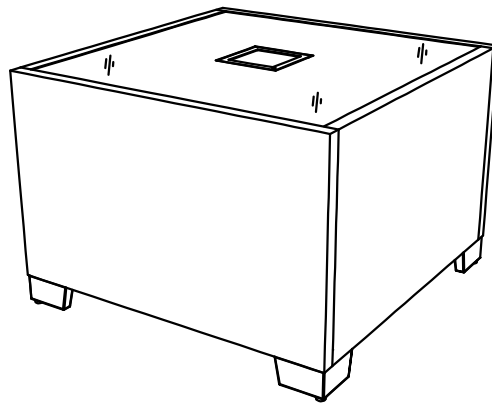
FINISH



# Assembly Instruction

## Advice:

1. Power tools are suggested to be used during installation.
2. More than one person may be required to assemble this product.
3. The best advice is not tightening up any screws until the whole piece is assembled. If having difficulty aligning holes, loosen the screws already installed and readjust the armrest.
4. To avoid mess-up or mismatch, please use the hardware of each box to install the furniture in the same box.







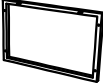

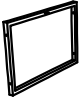




Table

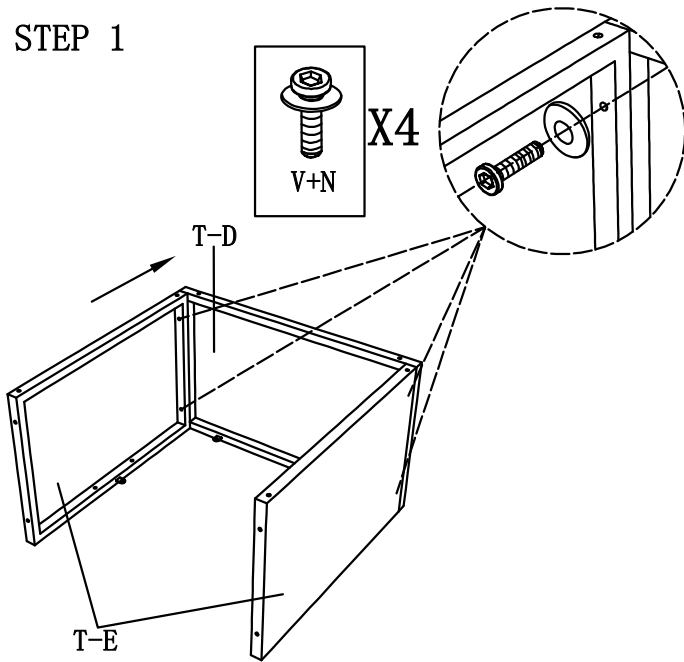


Assembly Video

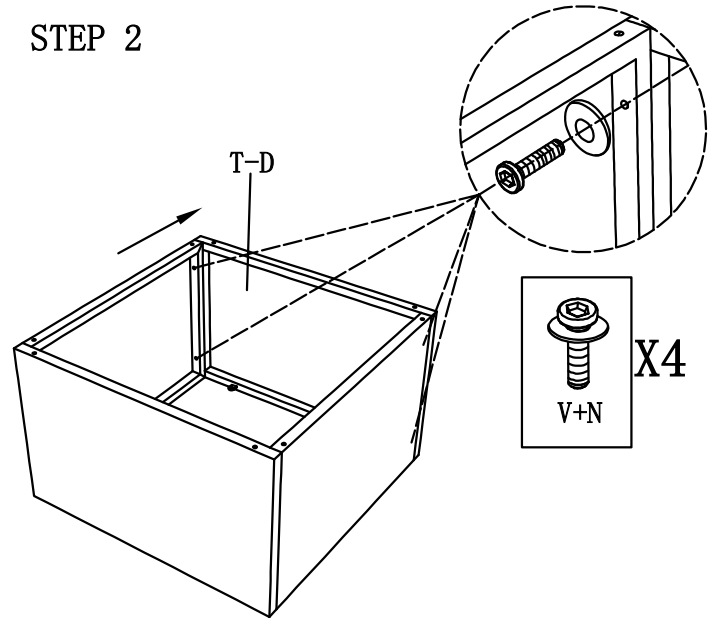
## Parts List

NO.	Picture	Description	QTY	NO.	Picture	Description	QTY
T-A		Solar Lamp	1	X		Screw (M6*25)	4
T-B		Glass Top	1	W		Screw (M6*30)	8
T-C		Support Bracket	1	V		Screw (M6*35)	8
T-D		Long Side Panels	2	N		Washer (M6)	12
T-E		Short Side Panels	2	L		Allen Key	1
T-F		Sofa Leg	4				

### STEP 1

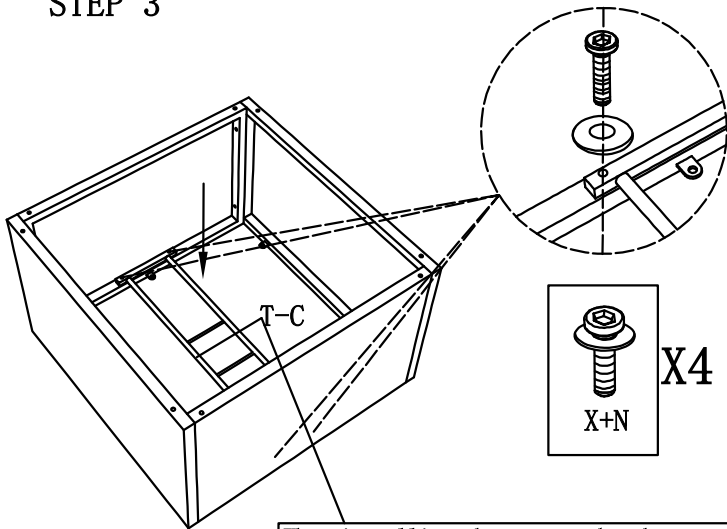


### STEP 2



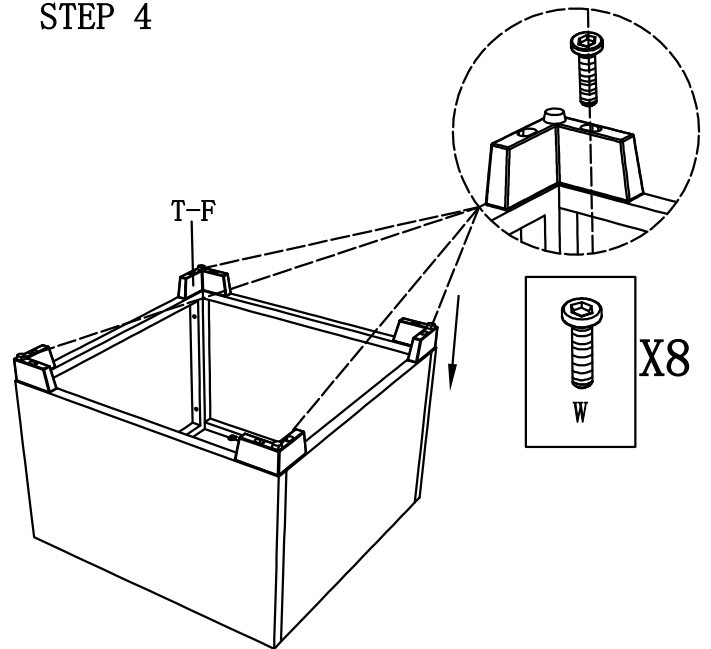
The best advice is not tightening up any screws until the whole piece is assembled.

### STEP 3

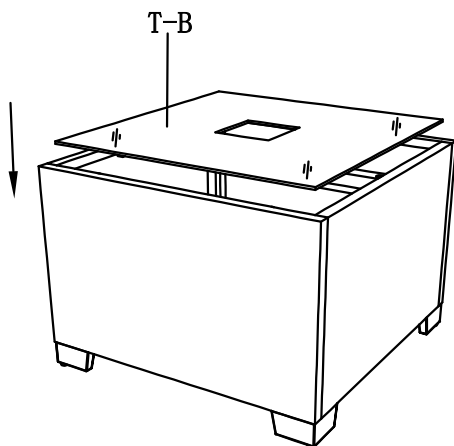


When installing the support bracket, pay attention to the direction. The two bulged small rod should face to the glass, so that the solar lamp and the glass can be parallel.

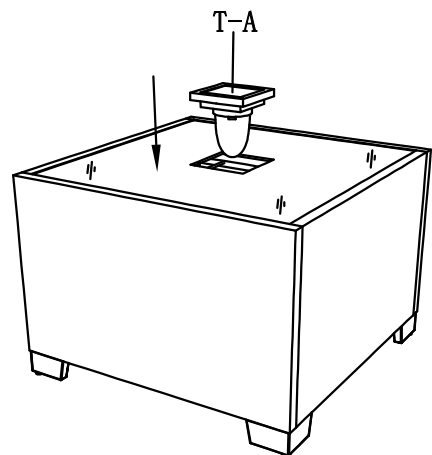
### STEP 4



### STEP 5



### FINISH



# Solar Panel User Manual

## Working Principle:

The solar light operates by converting sunlight into electrical energy through the solar panel, which is then stored in the rechargeable battery to power the light. During the day, sunlight hits the solar panel, converting light energy into electrical energy, which is stored in the battery. At night, the battery releases the stored energy to the LED light, providing illumination. The solar light features a photosensitive switch that automatically turns off the light when it detects sufficient brightness in the surroundings. Conversely, when it senses dim lighting conditions, the light automatically turns on. Additionally, the product includes a power switch that allows you to manually turn off the light when illumination is not needed.

## Working Time:

When exposed to 8 hours of direct sunlight each day, the light can operate continuously for up to 6 hours. The amount of sunlight converted and stored during the day determines the duration of illumination at night. This duration may vary depending on the intensity of the sunlight, the user's geographic location, weather conditions, and the season. As sunlight becomes weaker during winter, the lighting duration may be shortened. Optimal performance is achieved with direct sunlight.

## Usage Notes:

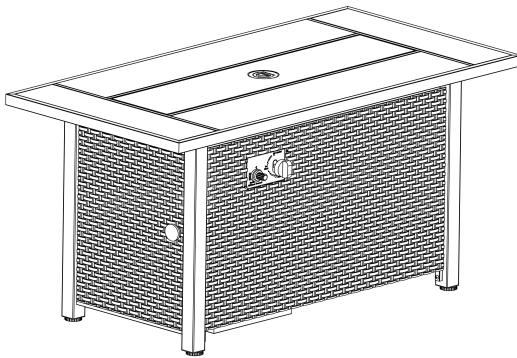
- ❖ Before first use, allow the solar panel to charge in direct sunlight for 8 hours. This fully activates the rechargeable battery, which helps extend its lifespan. **Long periods of disuse may cause the battery to self-discharge.**
- ❖ Place the solar light in a location where it can receive direct sunlight without being blocked by other objects. Ensure there are no nearby high-intensity light sources, as they may create a false daylight environment for the solar light.
- ❖ Regularly clean the surface of the solar panel to improve the efficiency of light energy conversion.
- ❖ Turn off the main switch if the light will not be used for an extended period.
- ❖ During regular use, the switch does not need to be turned off. The solar light will automatically charge during the day and illuminate at night.
- ❖ Variations in the light sensitivity of the solar panel may result in different lighting times, which is normal.

## Testing the Solar Panel's Functionality:

**Daytime Testing:** Cover the solar panel completely with your hand or a non-transparent object (not a light-transmitting one). Turn on the switch; the light should turn on. When the cover is removed and the solar panel is exposed to light, the light should turn off. If the light does not turn on when the panel is fully covered and the switch is on, it may indicate that the battery is not sufficiently charged and needs to be placed in sunlight for charging during the day.

# Assembly Instructions

## 42 Inch Gas Fire Pit



**⚠ DANGER:**  
**FIRE OR EXPLOSION HAZARD**

If you smell gas:

- Shut off gas to the appliance.
- Extinguish any open flame.
- If odor continues, leave the area immediately
- After leaving the area, call your gas supplier or fire department.

Failure to follow these instructions could result in fire or explosion, which could cause property damage, personal injury, or death.

**⚠ WARNING: For Outdoor Use Only!**

Installation and service must be performed by a qualified installer, service agency, or the gas supplier

**⚠ WARNING:**

Improper installation, adjustment, alteration, service or maintenance can cause property damage, personal injury or loss of life. Read this installation, operating, and maintenance instructions thoroughly before installing or servicing this equipment.

**⚠ DANGER** CARBON MONOXIDE HAZARD



This appliance can produce carbon monoxide which has no odor.

Using it in an enclosed space can kill you.

Never use this appliance in an enclosed space such as a camper, tent, car or home.

**⚠ WARNING:**

**FOR YOUR SAFETY:**

If the information in this manual is not followed exactly, a fire or explosion may result causing property damage, personal injury or loss of life.

**WHAT TO DO IF YOU SMELL GAS:**

Do not try lighting any appliance. Do not touch any electrical switch; do NOT use any phone in your building. Immediately call your gas supplier from a neighbor's phone. Follow the gas supplier's instructions. If you cannot reach your gas supplier, call the fire department.

Installation and service must be performed by a qualified installer, service agency or gas supplier. Save these instructions for future reference. If you are assembling this unit for someone else, give this manual to him or her to read and save for future reference.

**⚠ WARNING:**

Do not store or use gasoline, or other flammable vapors and liquids, in the vicinity of this or any other appliance. An LP-cylinder not connected for use shall not be stored in the vicinity of this or any other appliance.

**INSTALLER:** leave this manual with the appliance.

**CONSUMER:** Retain this manual for future reference.



Please keep this instruction manual for future reference

**⚠ WARNING: READ INSTRUCTION MANUAL BEFORE ATTEMPTING TO ASSEMBLE OR OPERATE THIS PRODUCT.**

# Table of Contents

Table of Contents .....	2	Assembly.....	7-10
Safety Information.....	2-4	Operating Instructions .....	11-13
Warranty.....	5	Maintenance.....	14
Pre-Assembly.....	5	Care and Cleaning .....	14
Package Contents.....	6	Troubleshooting .....	15
		Service Parts.....	16

## Safety Information

Read the instruction before use. This appliance must be installed in accordance with such regulations as are enforced.

**! DANGER · FLAMMABLE GAS UNDER PRESSURE.**  
**LEAKING LP-GAS MAY CAUSE A FIRE OR EXPLOSION IF IGNITED**  
**CAUSING SERIOUS BODILY INJURY OR DEATH.**  
**CONTACT LP GAS SUPPLIER FOR REPAIRS, OR DISPOSAL OF THIS**  
**CYLINDER OR UNUSED LP-GAS.**

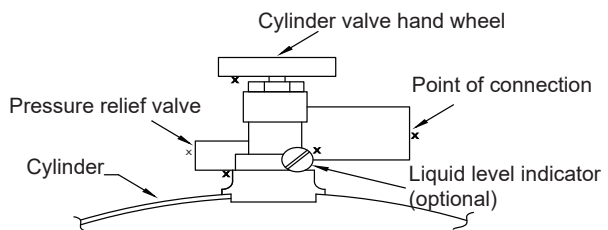
**! WARNING · FOR OUTDOOR USE ONLY.\***  
**DO NOT USE OR STORE CYLINDER IN A BUILDING,**  
**GARAGE OR ENCLOSED AREA.**

**! WARNING:**

- Know the odor of LP-gas. If you hear, see or smell leaking LP-gas, immediately get everyone away from the cylinder and call the Fire Department. Do not attempt repairs.
- Caution your LP-gas supplier to:
  - Be certain cylinder is purged of trapped air prior to first filling.
  - Be certain not to over fill the cylinder.
  - Be certain cylinder requalification date is checked.
- LP-gas is heavier than air and may settle in low places when dissipating.
- Contact with the liquid contents of cylinder will cause freeze burns to the skin.
- Do not allow children to tamper or play with cylinder.
- When not connected for use, keep cylinder valve turned off. Self contained appliances shall be limited to a cylinder of 30 lb capacity or less.
- Do not use, store or transport cylinder where it would be exposed to high temperatures. Relief valve may open allowing a large amount of flammable gas to escape.
- When transporting, keep cylinder secured in an upright position which cylinder valve turned off.

**WHEN CONNECTING FOR USE:**

- Use only in compliance with applicable codes.
- Read and follow manufacturer's instructions.
- Consult manufacturer's instructions concerning the cylinder connection provided with your appliance.
- Be sure regulator vent is not pointing up.
- Turn off all valves on the appliance.
- Do not check for gas leaks with a match or open flame. Apply soapy water at areas marked "X". Open cylinder valve. If bubble appears, close valve and have LP-gas service person make needed repairs. Also, check appliance valves and connections to make sure they do not leak before lighting appliance.
- Light appliance(s) following manufacturer's instructions.
- When appliance is not in use, keep the cylinder valve closed.



**DO NOT REMOVE, DEFACE, OR OBLITERATE THIS LABEL**  
**\*EXCEPT AS AUTHORIZED BY ANSI/NFPA 58.**

**! DANGER.** Do not store a spare LP cylinder under or near a barbecue grill, or other heat sources. NEVER fill an LP cylinder beyond 80% full: a fire causing death or serious injury may occur.

## Safety Information (continued)



### WARNING:

You must provide propane gas and propane cylinder. Use a standard 20 lb. propane cylinder only.

Use this heater only with a propane vapor withdrawal supply system. See Chapter 5 of the Standard for Storage and Handling of Liquefied Petroleum Gas, ANS/NFPA 58. Your local library or fire department should have this book.

The pressure regulator and hose assembly supplied with the appliance must be used.

The installation must conform with local codes, or in absence of local codes, with National Fuel Gas Code, ANSI Z223.1.

A dented, rusted, or damaged propane cylinder may be hazardous and should be checked by your cylinder supplier. Never use a propane cylinder with a damaged valve connection.

The LP-gas supply cylinder must be constructed and marked in accordance with the U.S. Department of Transportation (D.O.T) Specifications for LP-Gas Cylinders, or the standard for Cylinders, Spheres and Tubes for Transportation of Dangerous Good and Commission, CAN/CSA-B339, as applicable.

The LP-gas supply cylinder must be provided with a cylinder connection device compatible with the connection for the appliance.

The cylinder used must include a collar to protect the cylinder valve.

The LP-gas supply cylinder must be provided with a listed overfill protection device (OPD).

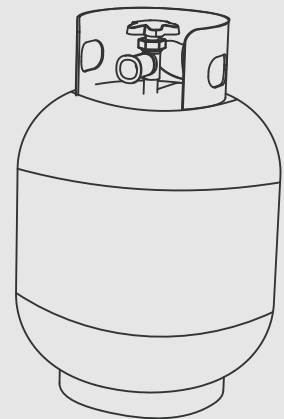
Do not store a spare LP gas cylinder under or near this appliance.

Never fill the cylinder beyond 80 percent full.

For appliances designed to use a CGA No. 791IQCC connection.

Place the dust cap on the cylinder valve outlet whenever the cylinder is not in use.

Note: Gas supply pressure: 25 PSI to 250 PSI.



Standard 20 lbs. tank



**WARNING:** FUELS USED IN LIQUIFIED PROPANE GAS APPLIANCES, AND THE PRODUCTS OF COMBUSTION OF SUCH FUELS, CAN EXPOSE YOU TO CHEMICALS INCLUDING BENZENE, WHICH IS KNOWN TO THE STATE OF CALIFORNIA TO CAUSE CANCER AND CAUSE BIRTH DEFECTS OR OTHER REPRODUCTIVE HARM. For more information go to: [www.ovios-home.com](http://www.ovios-home.com).

## Safety Information (continued)



### WARNING:

Solid fuels shall not be burned in this appliance.

The installation must conform with local codes or, in the absence of local codes, ANSI Z223.1/NFPA 54, NFPA 58 Natural Gas and Propane Installation Code, CSA B149.1, or Propane Storage and Handling Code, B149.2.

This appliance must be isolated from the gas supply piping system by closing its individual manual shutoff valve during any pressure testing of the gas supply piping system at test pressures equal to or less than 1/2 psi (3.5 kPa).

Max. gas supply 6791.3 in wc (1725 kPa). Manifold pressure 11 in wc (2.74 kPa).

Prior to use, check for damaged parts such as hoses, regulators, pilots, or burners.

Inspect the fuel supply connection for signs of leakage (including the hose for the LP models) before each use of the appliance.

All leak tests should be done with a soapy solution. NEVER USE AN OPEN FLAME TO CHECK FOR LEAKS.

Children and adults should be alerted to the hazards of high surface temperatures and should stay away from the appliance to avoid burns or clothing ignition. This appliance comes with a heat shield which is an important safety component preventing contact with the fire bowl when adjusting the propane valve.

Young children should be carefully supervised when they are in the area of the heater.

Clothing or other flammable materials should not be hung from the heater, or placed on or near the heater.

Any guard or other protective device removed for servicing the heater, must be replaced prior to operating the heater.

Installation and repair should be done by a qualified service person. The heater should be inspected before use and at least annually by a qualified service person.

More frequent cleaning may be required as necessary. It is imperative that the control compartment, burners, and circulating air passageways of the heater be kept clean.

Keep the appliance area clear and free from combustible materials, gasoline, and other flammable vapors and liquids.

DO NOT OBSTRUCT the combustion process or air ventilation flow.

Keep the ventilation opening(s) of the cylinder enclosure free and clear from debris.

The appliance should be used in a well-ventilated space and not in a building, garage or any other enclosed area.

An appliance may be installed within a shelter if the shelter meets one of the following conditions:

The shelter has walls on all sides, but with no overhead cover.

The shelter is within a partial enclosure which includes side walls. These side walls may be parallel, as in a breezeway, or at right angles to each other.

# Warranty

## 1 YEAR LIMITED WARRANTY

- We warrant the metal frame and burner to be free of manufacturing defects to the original purchaser for one years.
- Proof of purchase (dated register receipt) is required for warranty claims.

## WHAT IS NOT COVERED

It remains the customer's responsibility for freight and packaging charges to and from our service center. This warranty does not cover commercial use, acts of nature, fire, freezing and abusive use. In addition, purchased parts are not covered under this warranty . We reserve the right to make substitutions with similar merchandise , if the model in question is no longer in production.


## Pre-Assembly

### PLANNING ASSEMBLY

Carefully remove all pieces from the carton and make sure that you have all parts (refer to the hardware and package contents list). If you are missing parts, please contact 866-552-2810 for further assistance.

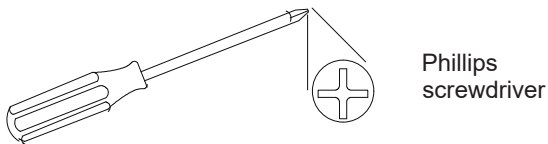
### YOUR OWNER'S MANUAL

Keep and store this Owner's Manual for future reference. It contains important instructions and procedures for safety and maintenance.



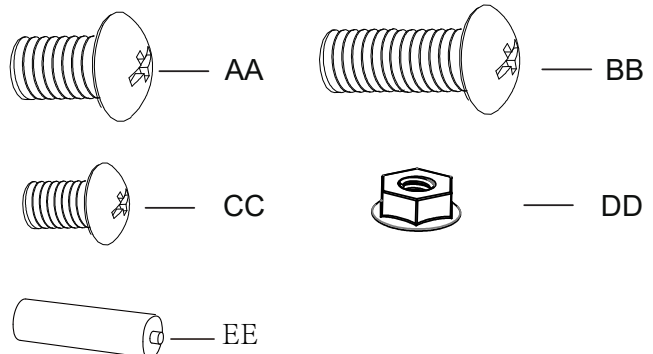
NOTE: Please read and understand the entire manual before you assemble , operate , or install the fire pit.

### TOOLS REQUIRED( INCLUDED)

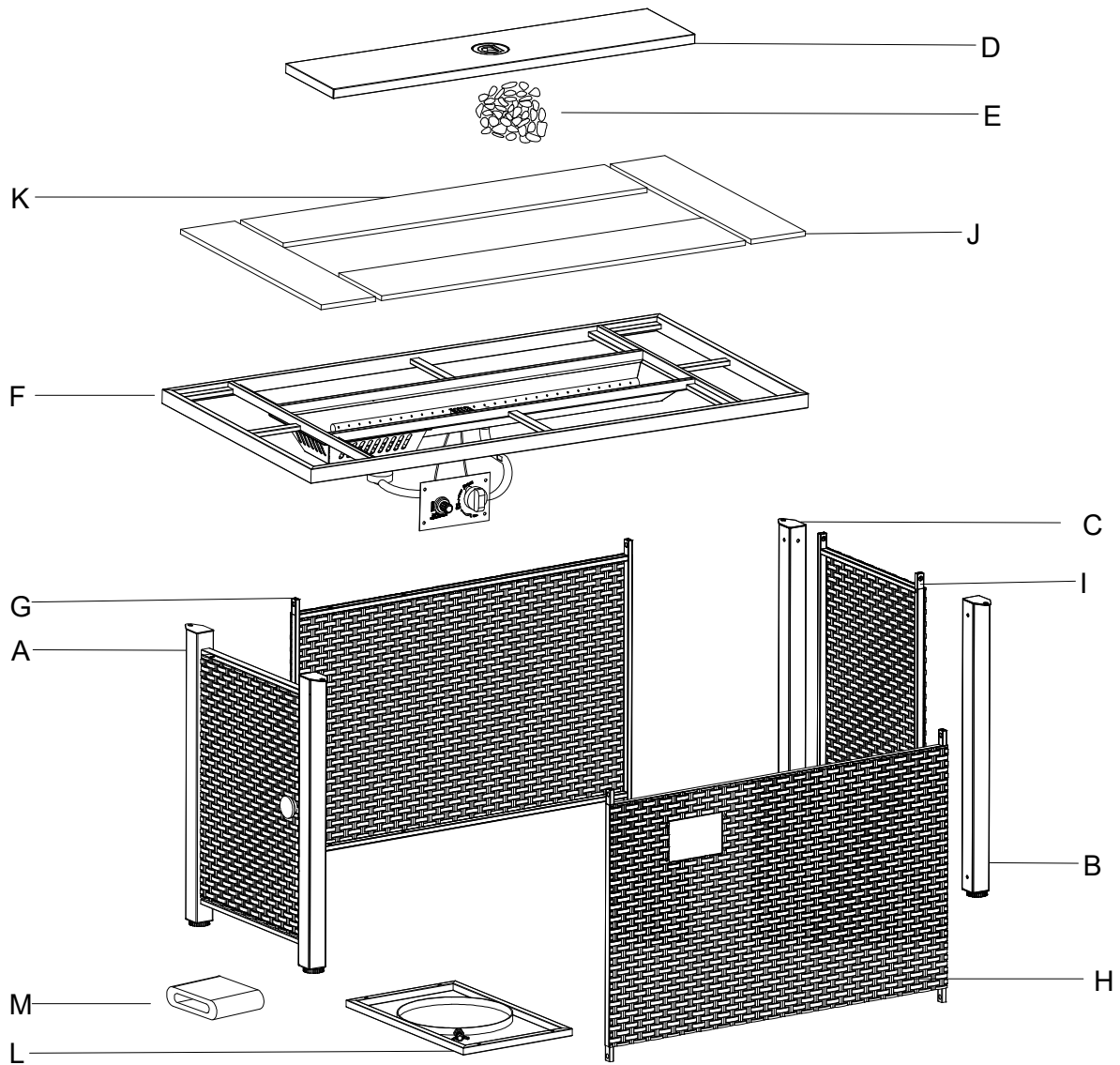


### HARDWARE INCLUDED

Part	Description	Quantity
AA	M6×10 mm Bolt	4
BB	M6×25 mm Bolt	16
CC	M5×10 mm Bolt	4
DD	M5 Nut	4
EE	AAA Battery	1



# Package Contents



Part	Description	Quantity
A	Door Frame	1
B	Back Leg B	1
C	Back Leg C	1
D	Metal Lid	1
E	Lava Rock	1
F	Table Top with Burner	1
G	Side Panel	1

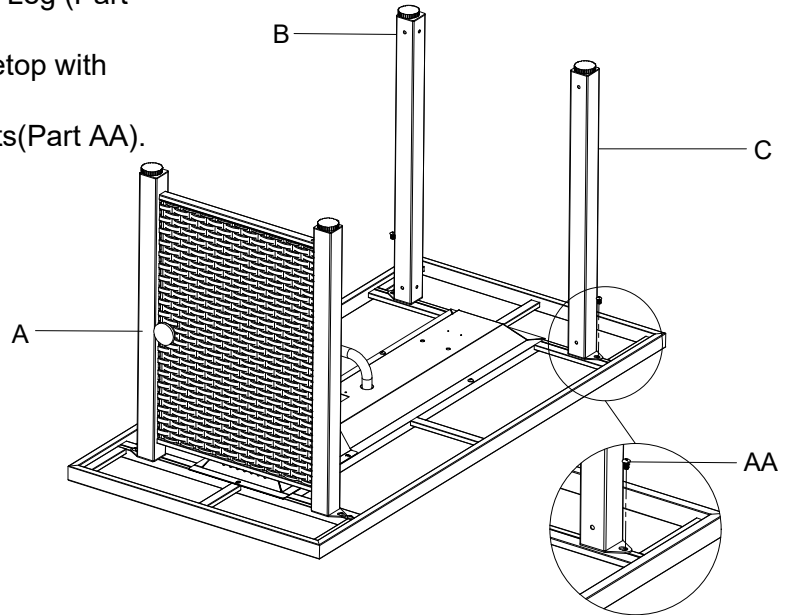
Part	Description	Quantity
H	Side Panel with Window	1
I	Back Panel	1
J	Longer Ceramic Tile	2
K	Shorter Ceramic Tile	2
L	Gas Tank Support	1
M	Cover	1

## Assembly

### 1 Assembling the Legs

- Attach Door Frame (Part A), Back Right Leg (Part B) and Back Left Leg (Part C) to the Tabletop with Burner (Part F) by using (4) M6x10mm Bolts (Part AA).

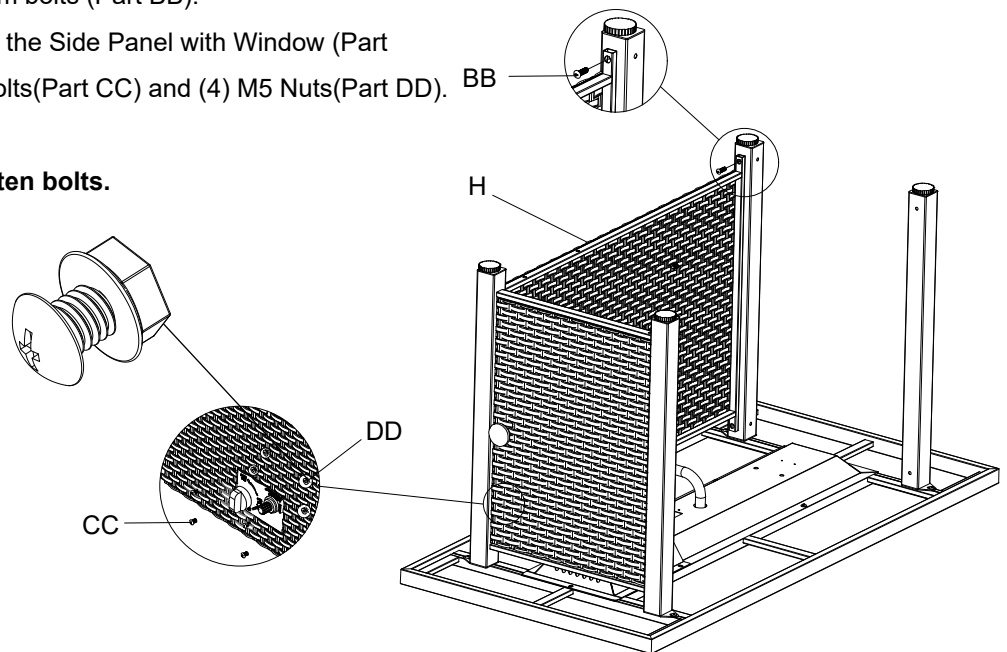
**NOTE: Do not completely tighten the bolts.**



### 2 Assembling Side Panels with Window

- Attach Side Panel with Window (Part H) to the Legs (Parts A & B) by using (4) M6X25mm bolts (Part BB).
- Connect the Control Panel to the Side Panel with Window (Part H) by using (4) M5X10mm Bolts (Part CC) and (4) M5 Nuts (Part DD).

**NOTE: Do not completely tighten bolts.**

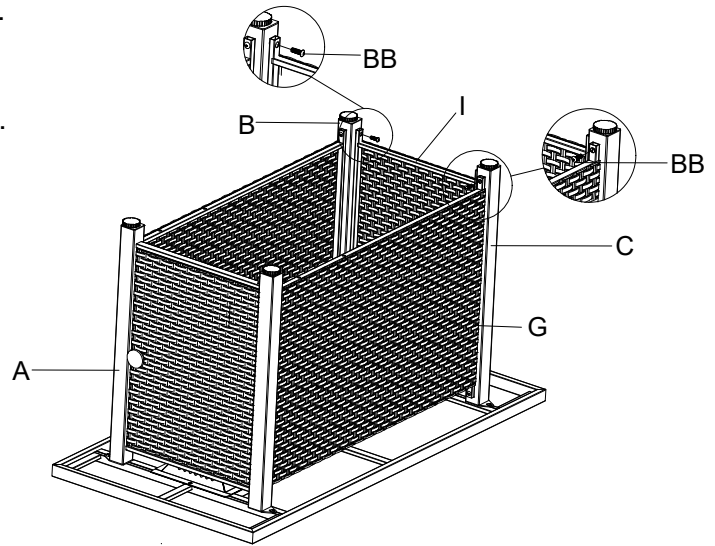


## Assembly

### 3 Assembling Side Panels and Back Panel

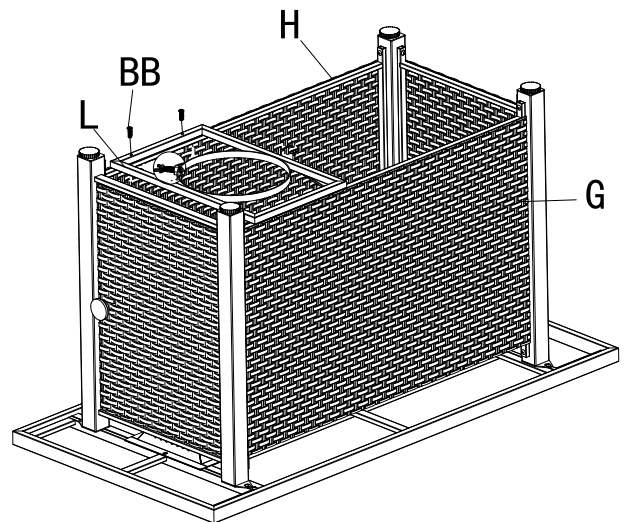
- Attach Side Panel (Part G) to the Legs (Parts A & C) by using (4) M6X25mm bolts (Part BB).
- Attach Back Panel (Part I) to the Legs (Parts B & C) by using (4) M6X25mm Bolts (Part BB).

**NOTE: Do not completely tighten the bolts.**



### 4 Assembling the Gas Tank Support

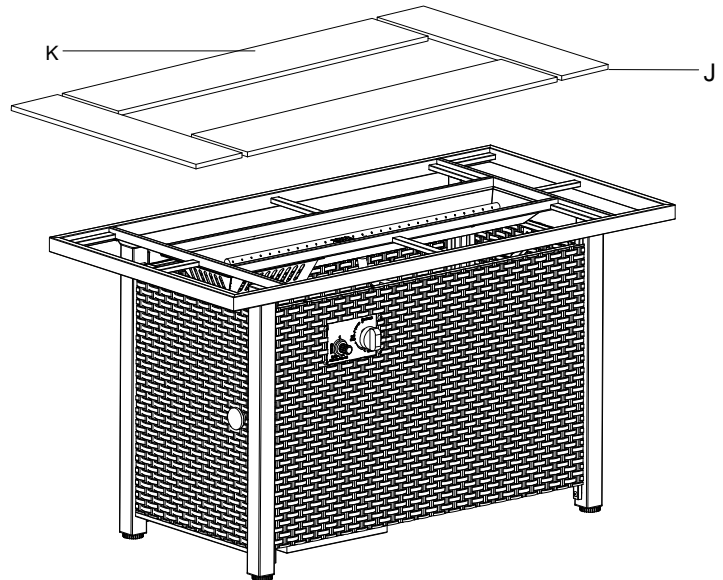
- Attach the Gas Tank Support (Part L) to the Side Panel (Parts G & H) by using (4) M6X25mm Bolts (Part BB).
- **Tighten all the bolts with a Phillips screwdriver( included)**



## Assembly

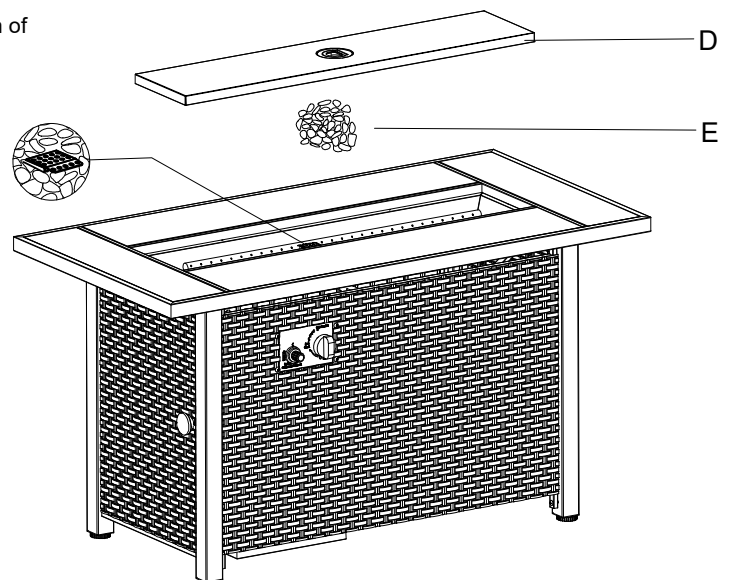
### 5 Place the Ceramic Tile

- Place the Ceramic Tile(Parts J & K) into the Tabletop.



### 6 Assembling the Lava Rock

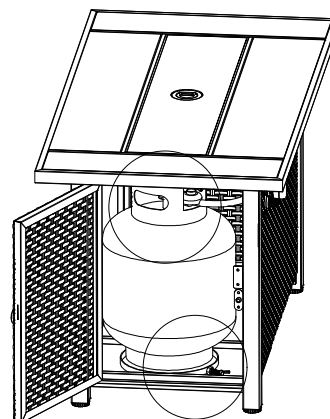
- Ensure the Lava Rock (Part E) are not placed on the ignition portion of the burner.
- NOTE: Ensure no glass stone is placed on the ignition portion of the burner. Then place the Cover (E) on.  
NOTE: The cover must be removed when the burner is in operation. Wait until the unit cools before installing the cover.



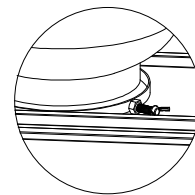
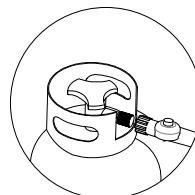
## Assembly

### 7 Assembling the Cylinder

- Put the cylinder into the Gas Tank Support (Part L), and secure the cylinder by tightening the screw in the gas tank support. Connect the hose and regulator to the cylinder.

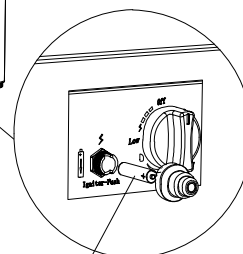
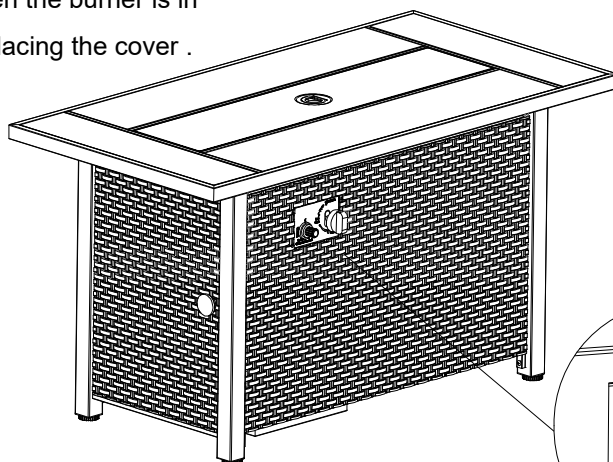


**NOTE:** The propane cylinder is sold separately. Use a standard 20 lb. propane cylinder only. Put the hose away from the bowl base during connect the propane cylinder.



### 8 Installing the AAA Battery

- Open the igniter and place the AAA Battery (EE) into the igniter. Then tighten clockwise.
- The Metal Lid (Part E) must be removed when the burner is in operation. Wait until the unit cools before replacing the cover .
- Do not over tighten igniter button.



AAA Battery

# Operating



**WARNING:** Never use this appliance for other than the intended use. DO NOT use this appliance to prepare food.

**Initial Lighting:** When lit for the first time, the appliance emits a slight odor. This is a normal temporary condition caused by the “burn-in” of internal paints and lubricants used in the manufacturing process and does not occur again. Simply run the main burner on high for approximately 30 minutes.



## WARNING:

Children and adults should be alerted to the hazards of high surface temperatures and should stay away from the appliance to avoid burns or clothing ignition. The appliance comes with a heat shield which is an important safety component preventing contact with the fire bowl when adjusting the propane valve.

Children should be carefully supervised when they are in the area of the appliance.

Clothing or other flammable materials should not be hung from the appliance, or placed on or near the appliance. The area above the fire pit may be extremely hot. Direct contact with these surfaces should be avoided in order to prevent burns or clothing ignition.

Any guard or protective device removed for servicing the appliance must be replaced prior to operating the appliance. Installation and repair should be done by a qualified service person.

The appliance should be inspected before each use and at least annually by a qualified service person. More frequent cleaning may be required necessary. It is imperative that the control compartment, burners and circulating air passageways of the appliance be kept clean.



## WARNING:

Never use the appliance while it is raining. Always turn the appliance off when raining.

Never use the appliance if the burner is damaged. Inspect the burner before each use. Ensure that no debris such as leaves; grass or other objects have entered or are on the appliance. If the burner is damaged it must be replaced prior to using this appliance with a replacement burner specified by your dealer.

Inspect the hose assembly before each use. If there is evidence of excessive abrasion or wear, or if the hose is damaged it must be replaced prior to using the appliance with a replacement hose assembly specified by your dealer.



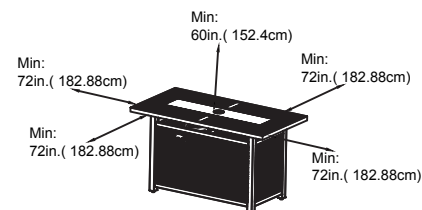
**WARNING: Any modification to the appliance may compromise the safety of this appliance.**

### Special concern is as follows:

Do not bypass the thermocouple safety.

Do not operate the appliance if any parts have been under water. Immediately call a qualified service technician to inspect the appliance and replace any part of the control system, and any gas control, which has been under water.

## CLEARANCE



# Operating (continued)

## LEAK TESTING OPERATION



**WARNING:** A leak test must be performed annually or if a part of the gas system is replaced.



**WARNING:** Never use an open flame to check for gas leaks. Be certain no sparks or open flames are in the area while you check for leaks. Sparks or open flames will result in a fire or explosion, damage to property, serious bodily injury, or death.

### LEAK TESTING:

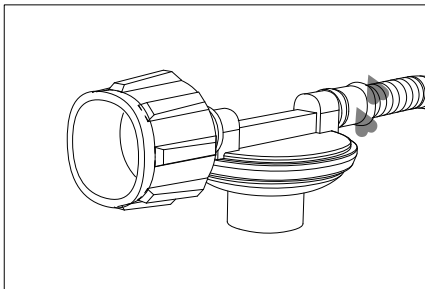
- 1, Make 2-3 oz. of leak detection solution by mixing one part liquid dishwashing soap with three parts water.
- 2, Make sure all fire pit and light valves are OFF
- 3, Apply several drops of solution where hose attaches to regulator.
- 4, Apply several drops of solution where regulator connects to cylinder.
- 5, Turn cylinder valve ON.

**If bubbles appear at any connection, there is a leak.**

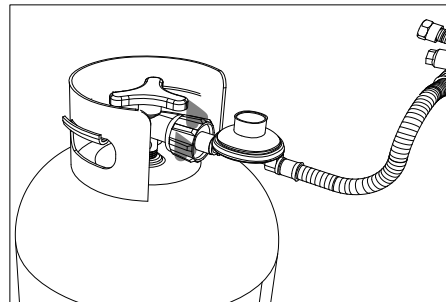
- 1, Turn cylinder valve OFF.
- 2, If leak is at hose/regulator connection: tighten connection and perform another leak test. If bubbles continue appearing, pls contact after service for assistance.
- 3, If leak is at regulator/cylinder valve connection: disconnect, reconnect, and perform another leak test. If you continue to see bubbles after several attempts, cylinder valve is defective, and contact 866-552-2810 for assistance.

**If NO bubbles appear at any connection, the connections are secure.**

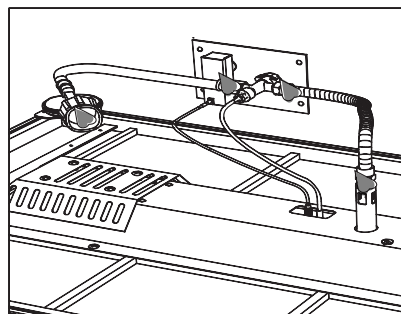
**NOTE:** Whenever gas connections are loosened or removed, you must perform a complete leak test .



Hose/Regulator  
Connection



Regulator/Cylinder  
Connection



# Operating (continued)

## LIGHTING



**CAUTION:** Keep the outdoor gas appliance area clear and free from combustible materials, gasoline and other flammable vapors and liquids.

**CAUTION:** Do NOT obstruct the flow of combustion and ventilation air.

**CAUTION:** Check and clean burner/vent tubes for insects and insect nests. A clogged tube can lead to a fire.”

1. Make sure all labels, packaging and protective films have been removed from the outdoor fire pit.
2. Control knob must be in the “OFF” position (Figure 1).
3. Full open LP cylinder valve.
4. Press and hold electronic igniter button.
5. Press the control knob, turn counterclockwise to “Low” position, press and hold. When the burner lights, release the electronic igniter button (Figure 2).
6. Continue to depress the gas control knob for 30 seconds and then release. If the flame goes out, repeat the procedure.
7. Adjust the flame to the desired height with the gas control knob. Visually check the burner flames as picture below (Figure 3).
8. If the burner will not light with the electronic igniter, hold a lit long match or lit long butane lighter to the ignition area of the burner and continue with step 5.



**WARNING:** If the burner does not light within 10 seconds, turn the valve off and wait 5 minutes for gas to dissipate before repeating the procedure



**WARNING:** Surface of the fire pit can remain extremely hot for a period after use. Allow 45 minutes to cool to dissipate before repeating the procedure.

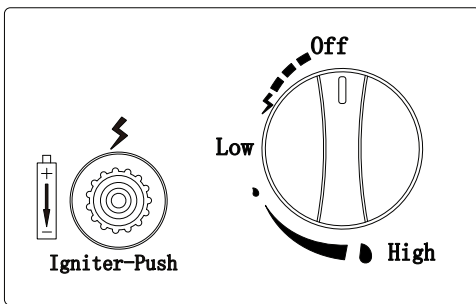


Figure 1

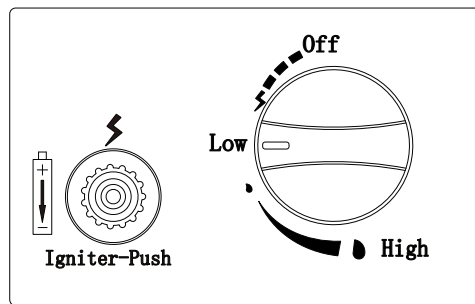


Figure 2

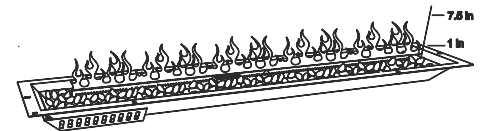


Figure 3

## Shut Down

1. To extinguish burner depress control knob and continue to turn it clockwise to “OFF”
2. Turn cylinder valve clockwise to “OFF” and disconnect regulator when fire pit is not in use.

## Maintenance

### Storage between uses:

- Turn the control knob to “OFF” position.
- Disconnect LP source.
- Store heater upright in an area sheltered from direct contact with inclement weather (such as rain, sleet, hail, snow, dust and debris).
- If desired, cover heater to protect exterior surfaces and to help prevent build up in air passages.



**NOTE:** Wait until heater is cool before covering.

### Storage during periods of extended inactivity or when transporting:

- Turn the control knob to “OFF” position.
- Disconnect LP source and move to a secure, well ventilated location outdoors. DO NOT store in a location that will exceed 125 °F.
- Store heater upright in an area sheltered from direct contact with inclement weather (such as rain, sleet, hail, snow, dust and debris).
- If desired, cover heater to protect exterior surfaces and to help prevent build up in air passages.



**NOTE:** Wait until heater is cool before covering.

## Care and Cleaning

To enjoy years of outstanding performance from your heater, make sure you perform the following maintenance activities on a regular basis:

- Whenever conduct hose/regulator inspection, pull out the door using handle on the door panel to gain access.
- Keep exterior surface clean.
- Use warm soapy water for cleaning. Never use flammable or corrosive cleaning agents.
- While washing your unit, be sure to keep the area around the burner dry at all times. If the gas control is exposed to water, do NOT try to use it. It must be replaced.
- Keep the appliance area free and clean from combustible materials, gasoline or other flammable vapors and liquids.
- At least once a year, the unit should be inspected for the presence of spiders, spider webs or other insects.
- Air flow must be unobstructed. Keep controls, burner, and circulating air passageways clean. Signs of possible blockage include:
  - Gas odor with extreme yellow tipping of flame.
  - Heater does NOT reach the desired temperature.
  - Heat glow is excessively uneven.
  - Heat makes popping noises.
- Spider and insects can nest in burner or orifices. This dangerous condition can damage heater and render it unsafe for use. Clean burner holes by using a heavy-duty pipe cleaner. Compressed air may help clear away smaller particles.
- Carbon deposits may create a fire hazard. Clean reflector, thermocouple, and emitter screen with a dry cloth if any carbon deposits develop.
- The burner is made from stainless steel, but extreme heat and a corrosive environment can cause surface corrosion to occur. This can be removed with a brass wire brush. Inspect the burner at least annually for cracks, insect nests, excessive corrosion or any other damage. If the burner is damaged, it must be replaced with a burner specified by the manufacturer before the appliance is put into operation.