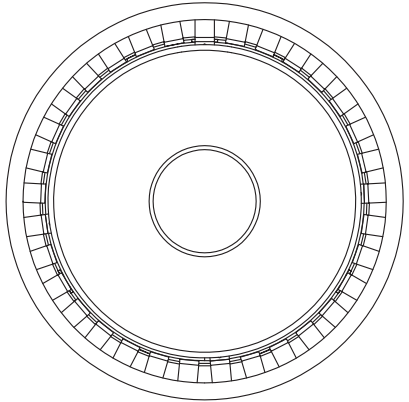
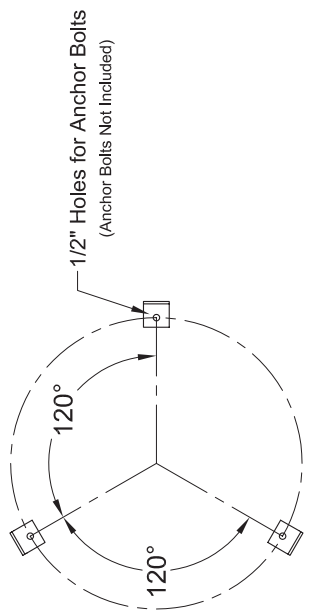


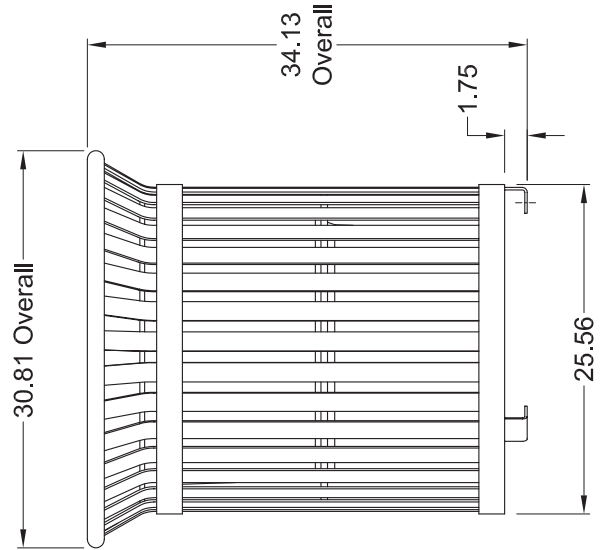
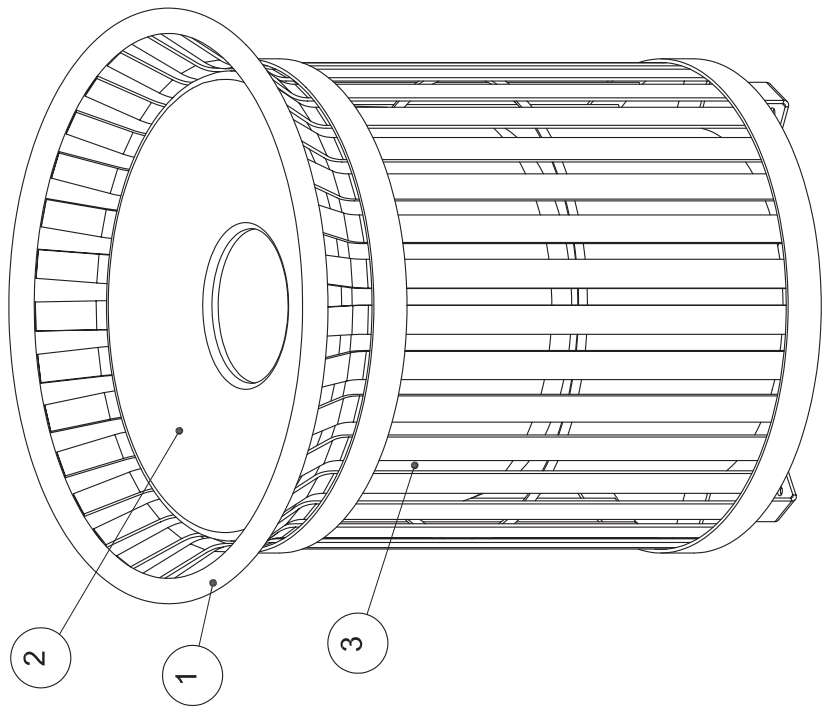
# Litter Receptacle - Specifications



Foot Plate Layout



1/2" Holes for Anchor Bolts  
(Anchor Bolts Not Included)



**Finish:** Polyester Powder Top Coat over E-Coated Substrate.



**MATERIAL SPECIFICATIONS:**

- VERTICAL PICKETS - 3/16" x 1 1/2" FB
- RINGS & BRACKETS - 3/16" x 2" FB
- INSIDE RING - Ø 1/2 HR ROD
- TOP RING - Ø 1-5/16 x 1/8" HR TUBE
- LINER - POLYETHYLENE
- LID - 16 GA. GALV.

**Optional:**

- 1) Inground Mounting Legs (P-Leg)
- 2) Rubber Tipped Leveling Feet

**Premier Series 34 Gallon Flare Top Litter Receptacle**  
**MODEL: PFT34 (71131200)**

ITEM NO.	DESCRIPTION	PART NO.	QTY.
1	PREMIER 34 GAL. FLARE TOP LITTER WELD	51086200	1
2	34 GALLON TRASH LID	60861500	1
3	LITTER RECEPTACLE LINER, 34 GAL. POLY	51137000	1