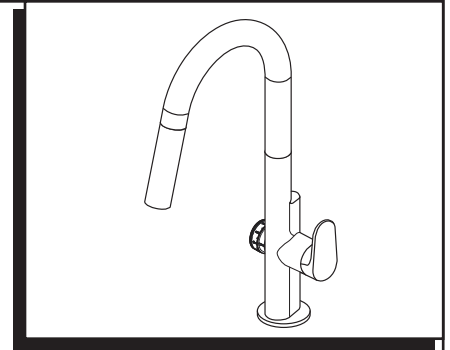


**BEALE® MeasureFill™
KITCHEN FAUCET**

Thank you for selecting American Standard...
the benchmark of fine quality for over 100 years.

To ensure that your installation proceeds smoothly-please read
these instructions carefully before you begin.

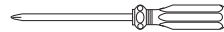


Certified to comply with ANSI A112.18.1M

RECOMMENDED TOOLS



Flat Blade Screwdriver



Phillips Screwdriver



Adjustable Wrench

1 INSTALL FAUCET WITH OR WITHOUT DECK ESCUTCHEON

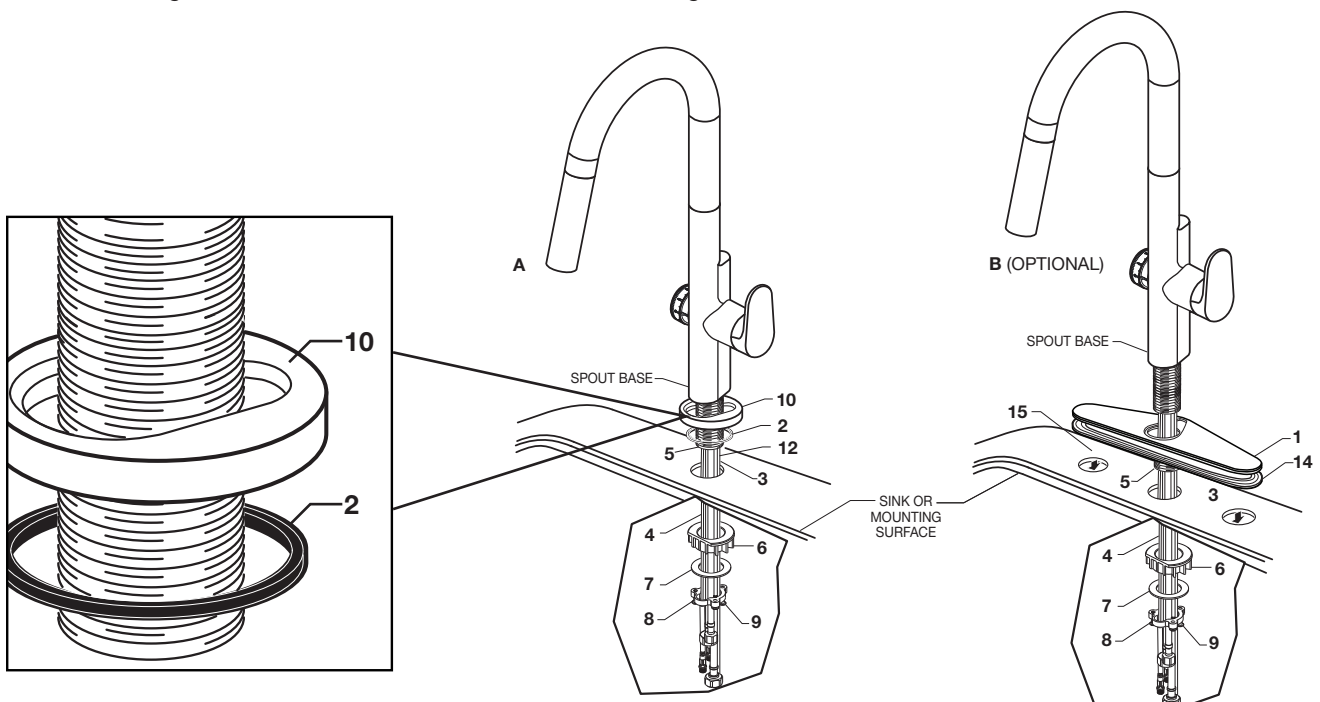
CAUTION Turn off water at main supply

(A) Installation on 1-hole mounting surface:

- Make certain the SEAL (2) is properly seated in bottom recess of MOUNTING RING (10) and in top recess of MOUNTING RING (10). Place mounting ring over mounting hole at the deck. Insert CABLES (12), HOSES (3) and SHANK (4) through mounting ring and deck, seat SPOUT BASE onto sink or mounting surface. **Do not use putty.**
- From below: Insert CABLES (12) and HOSES (3) through PLASTIC WASHER (6), BRASS WASHER (7), and threaded LOCKNUT (8).
- Assemble PLASTIC WASHER (6), BRASS WASHER (7), and threaded LOCKNUT (8) onto SHANK (5) from underside of sink or mounting surface. Hand tighten LOCKNUT (8).
- Make sure faucet is aligned properly with handle on the right and logo facing directly forward.
- Use a screwdriver to tighten SCREWS (9) on LOCKNUT (8). Work your way around LOCKNUT (8), tightening the screws slightly each time until all are snug to ensure even pressure.

(B) Optional: Installation on 3-hole mounting surface: Requires Deck Escutcheon - order separately

- Make certain the FOAM SEAL (14) is properly seated in bottom recess of DECK ESCUTCHEON (1). **Do not use putty.**
- Place deck escutcheon over mounting holes of the deck.
- Insert SUPPLY CABLES (12), HOSES (3), SPRAY HOSE (4) and SHANK (5) through hole of DECK ESCUTCHEON (1) and mounting surface.
- Follow mounting instructions above to secure faucet to mounting surface.

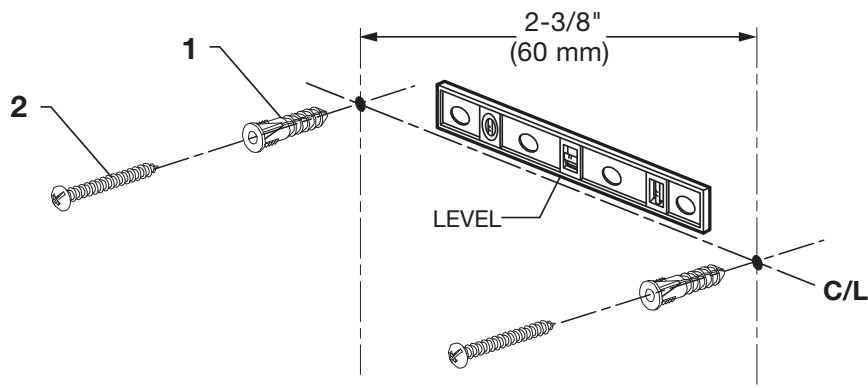


2 INSTALL CONTROL BOX

- Determine desired height and location (optional) and mark the top center line. Use a level to help mark the vertical center line for the two mounting locations. The distance between the two mounting holes is 2-3/8" (60 mm).

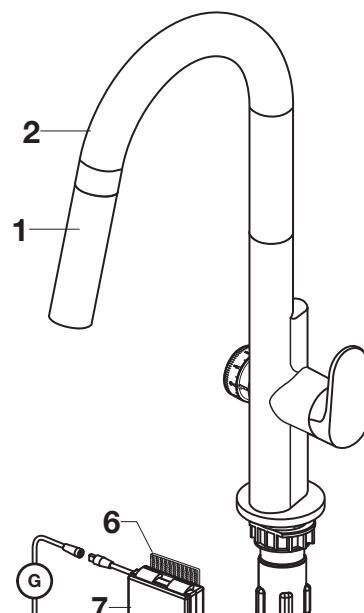
Note: This dimension is important and must be maintained. If BOX is secured to a stud or cross brace with in the wall, drill small pilot holes for SCREWS (2).

- **For installations on drywall or tiled walls:** Use ANCHORS (1) and SCREWS (2) for securing CONTROL BOX to the finished wall.



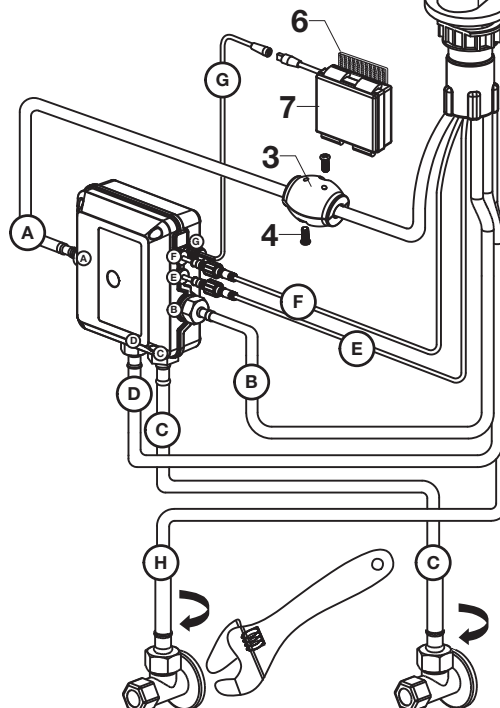
3 CONNECT SPRAY HOSE AND BOX, INSTALL WEIGHT

- Push the Wire Assembly (E, F) into FEMALE ADAPTER (E, F).
- Thread Hose (A, B, C, D) onto Male adapter (A, B, C, D).
- Push WIRE ASSEMBLY (G) into Battery Pack.
- With HAND SPRAY (1) seated in SPOUT (2), install WEIGHT (3) onto HOSE (A), secure with SCREW (4).
- Connect FLEXIBLE SUPPLY HOSES (H, C) directly to water supplies. Connection on fitting supplies are 3/8" compression. Connect left supply hose (Red Stripe) to Hot wall supply. Connect right supply hose (Blue Stripe) to Cold wall supply. Use adjustable wrench to tighten connections. Do not over tighten.



3a SECURING ELECTRICAL CONNECTION

- Attach CABLE MOUNTS (5) along the inside of the kitchen cabinet walls positioning them accordingly as shown. Wipe clean surfaces before attaching CABLE MOUNTS (5).
- Attach 'HOOK TO LOOP' FASTENER (black strip) (6) to the back side of the BATTERY HOLDER (7) and attach 'HOOK TO LOOP' FASTENER (black strip) (6) on desired location inside the kitchen cabinet. Wipe mounting surface clean before attaching 'HOOK TO LOOP' FASTENER (black strip) (6).



4 CONNECT CONTROL BOX

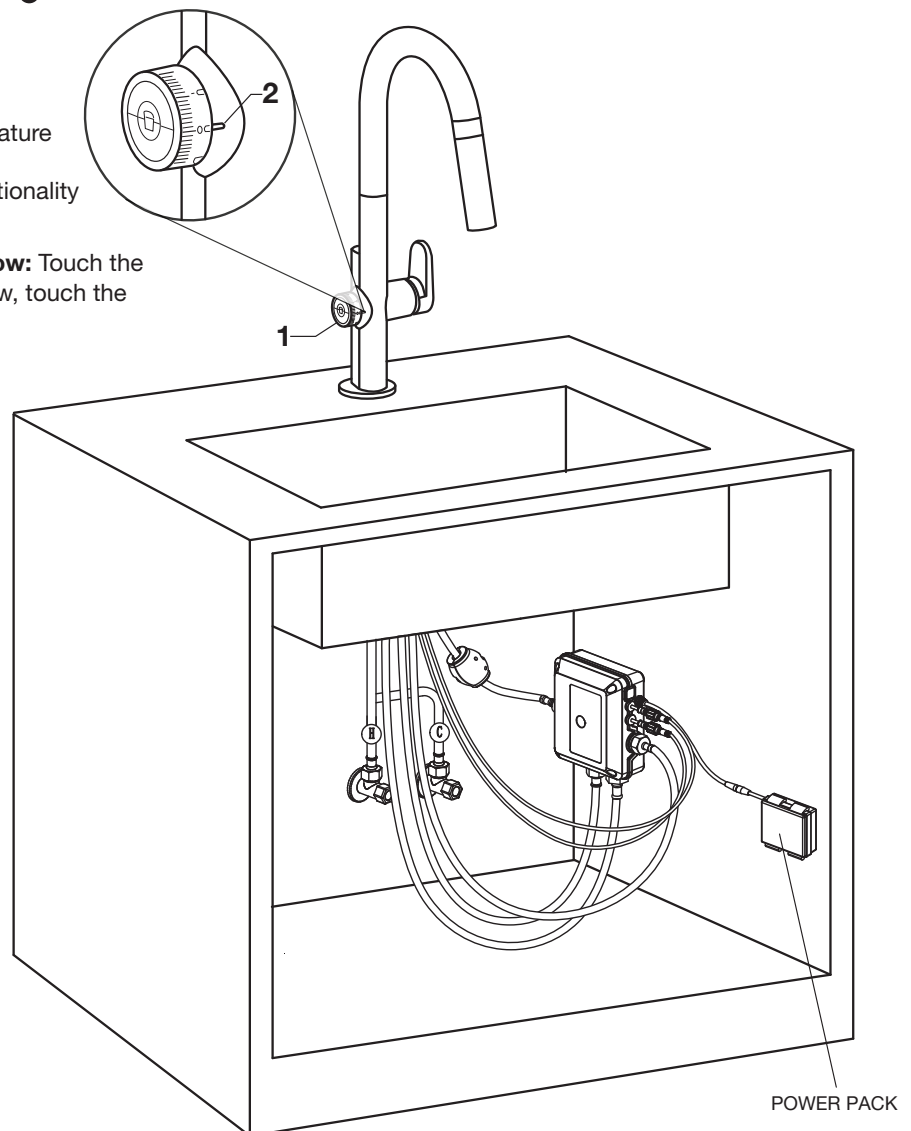
- Connected with the battery box. The IR BUTTON LIGHT (2) will turn on, and the IP sensor is adjusting the sensitivity automatically. Several seconds later, it will then turn off.

5 MEASURED FILL FUNCTIONALITY

- Turning the scale to the required amount and touching the INDUCTION WINDOW (1) will dispense quantitative water. Light is normally on during quantitative process and will shut off once the quantitative amount has been dispensed.

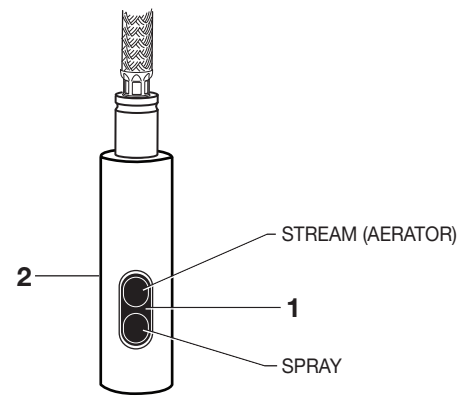
5a CONTINUOUS FLOW FUNCTIONALITY

- Transfer the calibration loop to position “0”.
- Continuous flow can be activated two different ways.
- **For Manual Continuous Flow:** Turn the handle on in a desired temperature location and use the continuous flow. Manual Flow can override Sensor functionality anytime.
- **For Sensor version of continuous Flow:** Touch the face of knob to activate continuous flow, touch the face of the knob again to deactivate.



6 SPRAY OPERATION

- With FAUCET on, press TOGGLE BUTTON (1) on SPRAY (2) to switch from stream to spray.



7 SERVICE

Battery needs replacement:

- The indicator light in front of body will change to red, and blink every second, totally 5 seconds. This is the indication that the batteries are low in power.
- Replace batteries in battery holder with Qty (4) AA alkaline type batteries.
- Batteries last approximately one year.
- Always change all 4 batteries. Failure to replacing all 4 batteries at the same time may cause faucet electronics to not work properly.

Reduced or distorted flow:

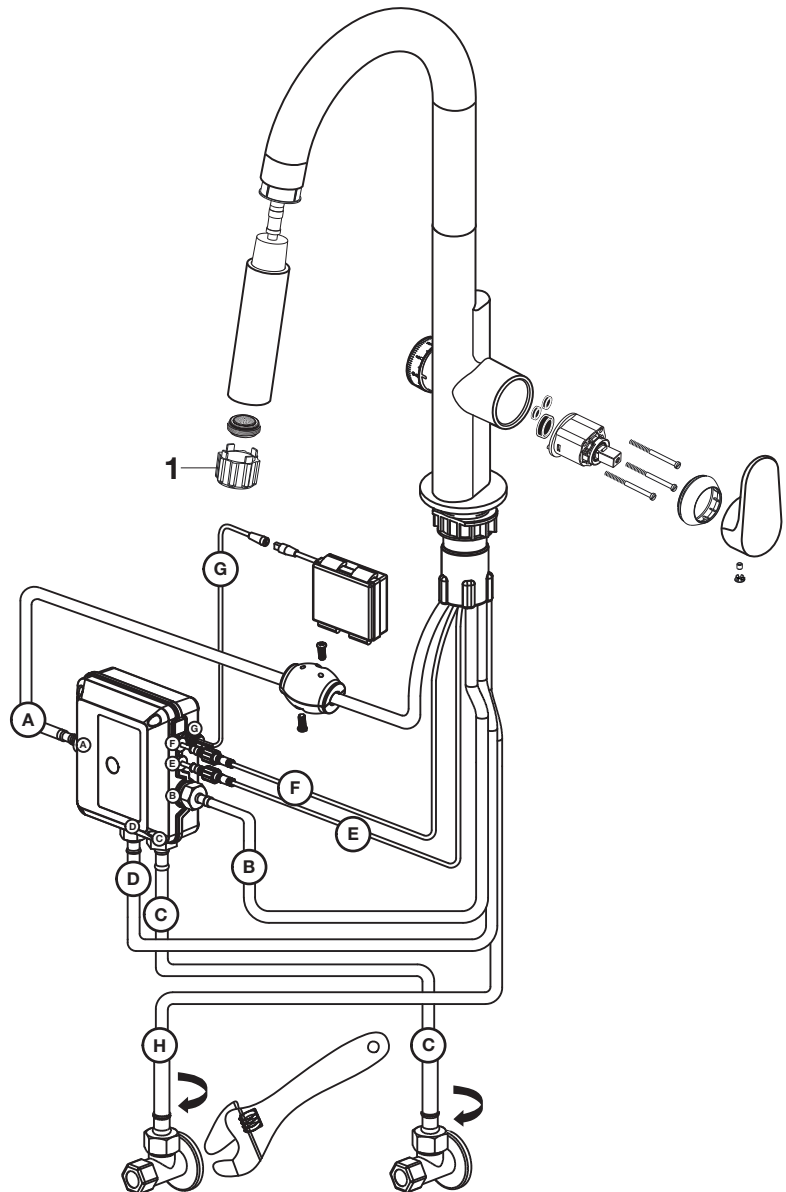
- Debris or dirt accumulating at inlet or AERATOR MAY CAUSE REDUCED OR DISTORTED FLOW.

A) Clean filter screen at Hoses B, C and D in Control Box.

B) Disconnect hose B, C, D from the Control Box and remove the screen filter by using a sharp object. Rinse clean the screen filter and install it back into the Control Box.

Aerator Clean Out

- AERATOR may accumulate dirt causing distorted and reduced water flow. Remove AERATOR by using the AERATOR KEY (1) and rinse to clear any debris.



8 CARE:

DO: CLEAN WITH CLEAR WATER. DRY WITH A SOFT COTTON FLANNEL CLOTH.

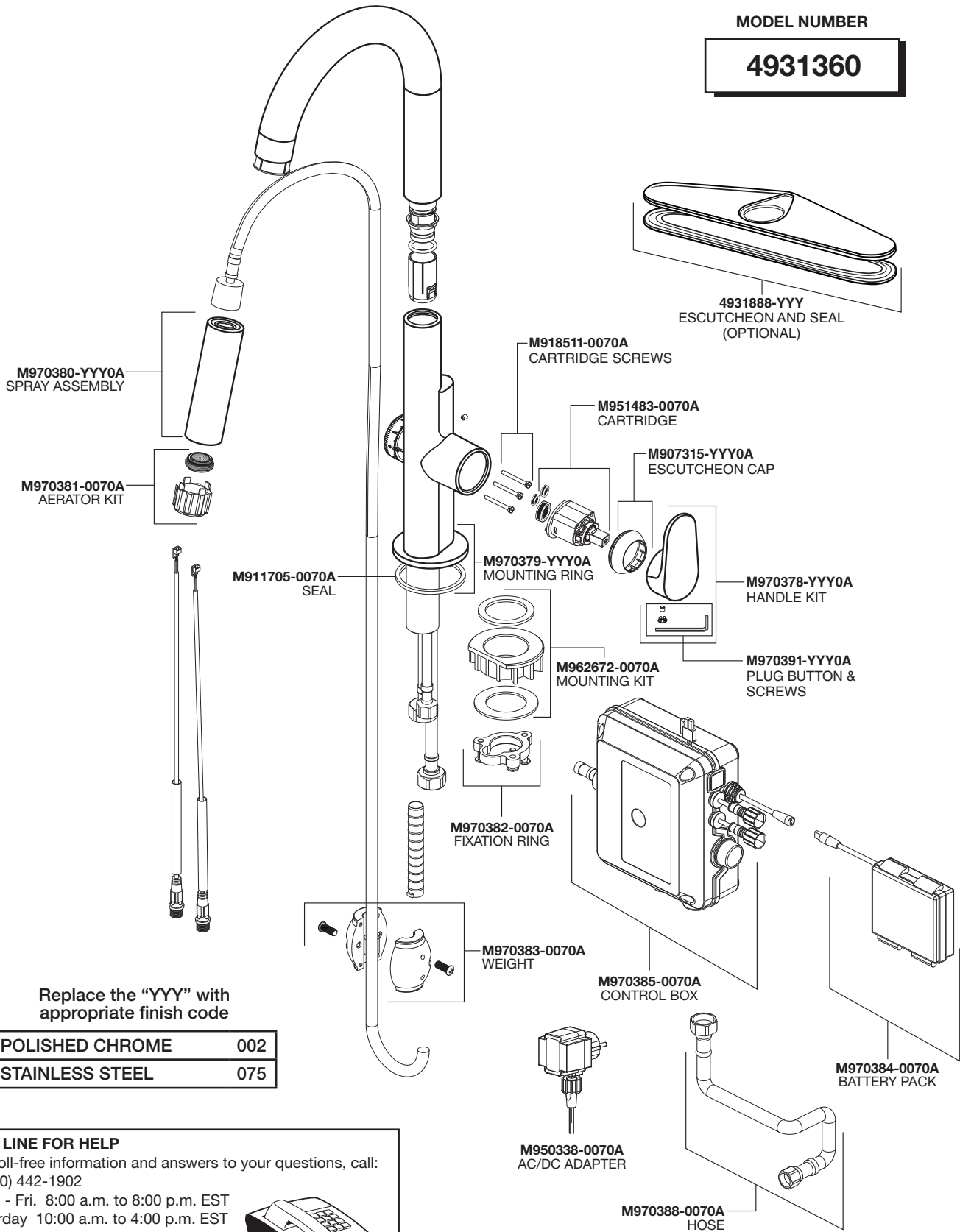
DO NOT: DO NOT CLEAN THE PRODUCT WITH SOAPS, ACID, POLISH, ABRASIVES, HARSH CLEANERS, OR A CLOTH WITH A COARSE SURFACE.

American Standard

BEALE® MeasureFill™ KITCHEN FAUCET

MODEL NUMBER

4931360



Replace the "YYY" with appropriate finish code

POLISHED CHROME	002
STAINLESS STEEL	075

HOT LINE FOR HELP

For toll-free information and answers to your questions, call:
1 (800) 442-1902

Mon. - Fri. 8:00 a.m. to 8:00 p.m. EST
Saturday 10:00 a.m. to 4:00 p.m. EST

IN CANADA 1-800-387-0369
(TORONTO 1-905-306-1093)

Weekdays 8:00 a.m. to 7:00 p.m. EST

IN MEXICO 01-800-839-1200



PART OF LIXIL