

*If you have questions or comments, contact us.  
Pour toute question ou tout commentaire, nous contacter.  
Si tiene dudas o comentarios, contáctenos.*

**855-805-5745 • [www.dewalt.com](http://www.dewalt.com)**

**INSTRUCTION MANUAL  
GUIDE DE UTILISATION  
MANUAL DE INSTRUCCIONES**

**DEWALT®**

**Kerosene Forced-Air Heater DXH135HD, DXH190HD, DXH215HD  
Kérosène air forcé Chauffage DXH135HD, DXH190HD, DXH215HD  
El queroseno calentador de aire forzado DXH135HD, DXH190HD, DXH215HD**

2017 - 40798 - CB

**READ INSTRUCTIONS CAREFULLY:** Read and follow all instructions. Place instructions in a safe place for future reference. Do not allow anyone who has not read these instructions to assemble, adjust or operate the heater.

**VEUILLEZ LIRE ATTENTIVEMENT LES INSTRUCTIONS :** Lisez et observez toutes les instructions. Conservez ces instructions dans un endroit sûr pour vous y référer ultérieurement. Interdisez à quiconque n'ayant pas lu les présentes directives d'assembler, de régler ou de faire fonctionner cette fourniture.

**LEA CUIDADOSAMENTE LAS INSTRUCCIONES:** Lea y siga todas las instrucciones. Conserve estas instrucciones en un lugar seguro para futura referencia. No permita que nadie que no haya leído estas instrucciones arme, ajuste o use el calentador.

**Definitions: Safety Guidelines**

The definitions below describe the level of severity for each signal word. Please read the manual and pay attention to these symbols.

- ▲ **DANGER:** Indicates an imminently hazardous situation which, if not avoided, **will** result in **death or serious injury**.
- ▲ **WARNING:** Indicates a potentially hazardous situation which, if not avoided, **could** result in **death or serious injury**.
- ▲ **CAUTION:** Indicates a potentially hazardous situation which, if not avoided, **may** result in **minor or moderate injury**.
- ▲ **NOTICE:** Indicates a practice not related to personal injury which, if not avoided, **may** result in **property damage**.

▲ **WARNING: DO NOT OPERATE THIS HEATER UNTIL YOU READ AND UNDERSTAND THIS INSTRUCTION MANUAL FOR SAFETY, OPERATION, AND MAINTENANCE INSTRUCTIONS.**

▲ **WARNING:**

Failure to comply with the precautions and instructions provided with this heater, can result in death, serious bodily injury and property loss or damage from hazards of fire, explosion, burn, asphyxiation, carbon monoxide poisoning, and/or electrical shock.

Only persons who can understand and follow the instructions should use or service this heater.

▲ **DANGER: CARBON MONOXIDE CAN KILL YOU**

This heater produces carbon monoxide. Do not use in occupied spaces. Ventilate building, room or other enclosed spaces where heater has been used before entering. Never use in a vehicle, camper or tent.

▲ **WARNING:**

Not for home or recreational vehicle use. Do not use to cook or warm food.

▲ **WARNING:**

Fire, burn, inhalation, and explosion hazard. Keep solid combustibles, such as building materials, paper or cardboard, a safe distance away from the heater as recommended by the instructions. Never use the heater in spaces which do or may contain volatile or airborne combustibles, or products such as gasoline, solvents, paint thinner, dust particles or unknown chemicals.

▲ **WARNING: RISK OF FIRE OR EXPLOSION**

- Do not use gasoline, naphtha or volatile fuels.
- Stop heater before adding fuels.
- Always fill outdoors away from open flame.
- Do not use external fuel source.
- Do not operate heater where flammable liquids or vapors may be present.
- Do not start heater when chamber is hot.
- Do not start heater when excess fuel has accumulated in the chamber.

▲ **WARNING:**

Combustion by products produced when using this product contains carbon monoxide, a chemical known to the State of California to cause cancer and birth defects (or other reproductive harm).

This product contains chemicals known to the State of California to cause cancer and birth defects or other reproductive harm.

▲ **WARNING: RISK OF ELECTRICAL SHOCK**

- Plug power cord into a properly grounded 3-wire receptacle.
- Do not operate in wet or damp conditions.

# CONTENTS

WARNINGS ..... 2-3

HEATER SPECIFICATIONS ..... 3

OPERATING PRECAUTIONS ..... 4

SAFETY PRECAUTIONS ..... 4

OPERATING INSTRUCTIONS ..... 4-5

MAINTENANCE, STORAGE AND SERVICE ..... 5-7

WIRING DIAGRAM ..... 7

TROUBLE SHOOTING ..... 8

PARTS LISTS/EXPLODED VIEWS ..... 9-11

WARRANTY ..... 12

INSTRUCTIONS FOR ORDERING PARTS ..... 12

**▲ WARNING: RISK OF FIRE OR EXPLOSION**

- Do not store or use gasoline or other flammable vapors and liquids in the vicinity of this or any other appliance.
- WHAT TO DO IF YOU SMELL GAS?
- Open windows.
  - **DO NOT** try to light any appliance.
  - **DO NOT** operate any electrical switches.
  - **DO NOT** use any telephone in building. Immediately call the local gas supplier from an outside telephone. Follow the gas supplier's instructions.
  - **DO NOT** touch any electrical switch; do not use any phone in your building.
  - If you cannot reach your gas supplier, call the Fire Department.

## Specifications

**CAUTION: CSA certified for use with only No. 1-K kerosene fuel. Factory Tested: No.2-K kerosene, No.1 or No.2 Diesel, No.1 or No.2 fuel oil or JP8 Jet A fuel**

MODEL :	<b>DXH135HD</b>	<b>DXH190HD</b>	<b>DXH215HD</b>
BURN RATE:	35,000 Btu/hr (39.5 kw)	190,000 Btu/hr (55.6 kw)	215,000 Btu/hr (62.9 kw)
FUEL RATE:	1.0 gal /HR (3.8 L / HR)	1.4 gal/hr (5.3 L /HR)	1.61 gal/hr (6.1 L /HR)
ELECTRICAL INPUT:	115V, 60Hz, 5.5A	115V, 60Hz, 5.5A	115V, 60Hz, 5.5A
LINE PROTECTION:	20 AMPS	20 AMPS	20 AMPS
MIN. OPERATING VOLTAGE:	110V	110V	110V
PRESSURE SETTING:	6.8 PSI (47 kPA)	7.5 PSI (51.7 kPA)	8.4 PSI ( 57.9 kPA)
MAX. OUTLET TEMPERATURE:	1450 °F (787°C)	1450 °F (787°C)	1450 °F (787°C)
FUEL TANK CAPACITY	14 gal (53 L)	14 gal (53 L)	14 gal (53 L)
IGNITION:	Direct Spark, Continuous	Direct Spark, Continuous	Direct Spark, Continuous
SPARK GENERATOR:	Igniter, 13 kV, 10mA	Igniter, 13 kV, 10mA	Igniter, 13 kV, 10mA
PRIMARY SAFETY CONTROL:	Solid State Control	Solid State Control	Solid State Control
CERTIFICATION:	u CSA <sub>c</sub>	u CSA <sub>c</sub>	u CSA <sub>c</sub>

## Operating Precautions

### ▲ **WARNING**

This is a kerosene, direct-fired, forced air heater. It's intended use is primarily temporary heating of buildings under construction, alteration or repair.

Direct-Fired means that all of the combustion products enter the heated space. Even though this heater operates very close to 100 percent combustion efficiency, it still produces small amounts of carbon monoxide. Carbon monoxide (called CO) is toxic. CO can build up in a heated space and failure to provide adequate ventilation could result in death. The symptoms of inadequate ventilation are:

- headache
- dizziness
- burning eyes and nose
- nausea
- dry mouth or sore throat

Be sure to follow advice about ventilation in the Safety Precautions section.

Forced Air means that a blower or fan pushes the air through the heater. Proper combustion depends upon this air flow; therefore, the heater must not be revised, modified or operated with parts removed or missing. Likewise, safety systems must not be circumvented or modified in order to operate the heater.

When the heater is to be operated in the presence of other people the user is responsible for properly acquainting those present with the safety precautions and instructions, and of the hazards involved.

## Safety Precautions

### ▲ **WARNING**

1. Certified for use with No.1-K kerosene fuel. Factory tested for use with No.2-K kerosene, No.1 or No.2 Diesel, No.1 or No.2 fuel oil or JP8 Jet A fuel and these fuels may be used as well. Never use gasoline, oil drained from crank cases, naphtha, paint thinners, alcohol or any other highly flammable fuels. **Only store kerosene in containers marked Kerosene or Kerosine.**
2. Check the heater thoroughly for damage. DO NOT operate a damaged heater.
3. DO NOT modify the heater or operate a heater which has been modified from its original condition.
4. Suitable for outdoor use. For either outdoor or indoor use where adequate ventilation is provided. Never use in areas normally for habitation. Not for use where exposed to weather.

5. Use in well ventilated areas, provide at least 2 sq. ft. (0.19 sq. m.) of opening near the floor and 2 sq. ft. (0.19 sq. m.) near the ceiling directly to outdoors. Increase air openings as marked for each additional heater.
6. Always keep combustibles, like paper and wood at least 8 ft. (2.4 m) from the heater outlet and 3 ft. (1.0 m) from the top, sides and inlet. Locate 10 ft. (3.0 m) from canvas or plastic coverings and secure them to prevent flapping movement.
7. Caution: Due to the high surface and exhaust temperatures, adults and children must observe clearances to avoid burns or clothing ignition. Do Not Touch. Keep children, clothing, and combustible away.
8. Install the heater such that it is not directly exposed to water spray, rain and / or water.
9. Never use in occupied spaces and /or where children may be present.
10. Operate only on a stable, level surface.
11. Do not use with duct work. Do not restrict inlet or exit.
12. Use only with electrical power specified. The electrical connection and grounding must comply with National Electrical Code – ANSI/NFPA 70 (USA) and CSA C22.1 Canadian Electrical Code, Part 1 (Canada).
13. Use only a properly grounded 3-prong receptacle or extension cord.
14. Do not move, handle, or service while hot or while in operation.
15. Use only in accordance with local, state (provincial) or national requirements, ordinances and codes.
16. Roll cage on these units is for the heaters protection only. Do not stand or sit on the heater Do not use the frame around the unit as a table, saw horse.
17. The storage box mounted under the barrel of these units is intended for the storage of items that are not sensitive to heat. Please use the storage box only for small replacement parts, gloves, small hand tools, etc.

## Operating Instructions

### UNPACKING

#### ▲ **CAUTION: Heavy unit, do not attempt to lift without assistance.**

1. Remove heater from carton.
2. Remove all protective material which may have been applied to the heater for shipment.
3. Check the heater for possible shipping damage. If any damage is found immediately contact the manufacturer at 855-805-5745.

**ASSEMBLY** (For 135,000, 190,000 and 215,000 BTU/hr models only, see figure 1, page 9.)

Wheels and handles are found in the shipping carton along with mounting hardware. The wheels, axle and mounting hardware are in a package. Tools required are a 5/16" nut driver, 3/8" open or adjustable wrench and standard pliers.

1. Assemble the wheels onto the wheel support as shown.
  - a. Install one of the cotter pins into the hole on one end of axle.
  - b. Slide the large washer, then wheel onto the axle next to the cotter pin.
  - c. Slide the spacer onto the axle next to the wheel.
  - d. Slide the partially assembled axle through the wheel support frame.
  - e. Slide the spacer onto the axle next to the wheel support.
  - f. Slide the wheel then large washer onto the axle and hold in place with the remaining cotter pin.
9. Install the caps over the larger washers to finish the wheel assembly.
2. Position the heater on the wheel support frame assembly with the exit opposite the wheels.
3. Use eight screws and nuts to attach the handles to the top of the tank flange. The screws will go through the handles, tank flange and wheel support frame. Install the nuts and finger tighten only until all nuts are installed.
4. Tighten all the nuts.
5. Attach cross-bar support to front and rear upright handle with screws and tighten.
6. Attach drape guard with included screws. (Canadian requirement).

## PREPARING FOR OPERATION

1. Check the heater for possible shipping damage. If any is found, immediately contact the manufacturer at 855-805-5745.
2. Follow all of the "Precautions".
3. Fill the fuel tank with clean kerosene. In extremely cold weather, condensation may develop in the tank and it is recommended that a tablespoon of de-icer be added for each gallon (4 liters) of fuel in the tank. When filling the heater, use at least 2 gallons (8 liters) of fuel. Be sure heater is level and do not overflow. Use a funnel or can with a long fill spout.

**NOTICE: Before filling fuel tank the first time or after extended storage periods, drain the fuel tank of any moisture or condensation.**

4. Locate heater at a safe distance from combustible materials.

## HEATER START UP

1. Turn thermostat to lowest setting, make sure "ON/OFF" switch is "ON". Plug the heater into a grounded 115V, 60 Hz, 1 Ø outlet. Turn thermostat to highest setting. Start heater by pushing toggle switch to "I" position (light signifies switch is in "I" position). Adjust thermostat to desired setting. Heater will cycle on/off as heat is required.

**EXTENSION CORD REQUIREMENTS:** Up to 100' (30.5m) use 16 awg. conductor, 101' - 200' (30.5 - 61.0m) use 14 awg. conductor.

## For all models:

- In cold weather (below 10° F), starting may be improved by holding a finger over the vent hole of the pump adjustment screw cap until the heater starts.
- This unit is equipped with an interrupt circuit. The reset is integrated into the "ON/OFF" switch. If the unit does not start, toggle the switch to "OFF", wait 5 min, and toggle the switch to "ON".

## HEATER SHUT DOWN

Push "ON/OFF" switch to "OFF" position. For extended shutdown, unplug heater from power source.

## RESTART AFTER SAFETY SHUTDOWN

Toggle switch to "OFF" position, wait 5 minutes. Restart.

## Maintenance and Storage

**▲ WARNING:** To prevent personal injury, unplug the heater from the wall outlet before servicing.

For maximum efficiency and trouble-free service, make the following periodic maintenance, cleaning and inspections.

## ADJUSTING PUMP PRESSURE

Due to varying fuel viscosities and normal component wear the pump pressure on this heater may need to be adjusted. The heater should only be operated at the manufacturer's recommended burner setting.

Pressure Adjustment Screw  
(located at the rear of the heater)



### ADJUSTMENT PROCEDURE:

1. Fill fuel tank.
2. Start heater.
3. Locate the fuel pressure adjustment screw (ref. #26) in the exploded parts drawing. The pressure adjustment screw is located at the rear of the heater, in the air filter housing cover (slotted adjustment screw approx. 10 o'clock position).
4. The plug directly under the adjustment screw can be used to install a pressure gauge. It is not a second adjustment screw.
5. Using a flat bladed screw driver, turn the pump pressure adjustment screw clockwise to increase pump pressure and/or counter-clockwise to decrease pump pressure. Base pump pressures can be found in the specifications chart on page 3 of the "Operating Instructions and Owners' Manual".
6. For best results, the nose cone in the combustion chamber should be cherry red with no dark spots and the flame should not extend beyond the nose cone.

### IMPROPER PRESSURE ADJUSTMENT

**Problem:** Heater does not have a strong consistent flame.  
Heater smokes and spits raw fuel.  
Nose cone does not get cherry red.

**Adjustment:** Pump pressure is too low.

Turn adjustment screw clockwise to increase pump pressure.

**Problem:** Flame extends beyond the end of the heater.

**Adjustment:** Pump pressure is too high.

Turn adjustment screw counter clockwise to decrease pump pressure.

## Daily Maintenance Schedule

1. **GENERAL.** Make general visual inspection of heater for loose or damaged parts. Check nuts and bolts to insure against looseness caused by vibration or rough handling. Damaged parts should be repaired or replaced before using heater again. Check heater operation to be sure it is operating normally (See "Servicing" section for description of normal operation).
2. **FILTERS.** Dirty air or fuel filters will cause an imbalance in the air-fuel mixture. The best indication that this condition exists is an increase in odors or difficulty getting your heater to ignite. This heater should never be operated without the filters in place. If required, clean filters as described under "500 Hours" and "Annual Schedules".

## 500 Hour Maintenance Schedule

1. **AIR INTAKE FILTER.** Remove and wash the filter element with a mild detergent, dry thoroughly and replace. Do not oil the filter element. If your heater is used where there is considerable dust or dirt, clean as often as necessary (approximately every 50 hrs.).
2. **REMOVE DUST.** Clean heater twice a season (more often under dusty conditions). Remove accumulated dust from the transformer, burner, motor and fan blades with compressed air. Wipe area clean with a clean dry cloth. Inspect area to insure all foreign materials are removed, especially around the burner and combustion area.
3. **CAD CELL.** Clean the glass portion of the cad cell with a soft dry cloth.
4. **NOZZLE.** Accumulation of dirt from fuel and carbon from the compressor vanes will eventually fill up the passages in the nozzle, resulting in reduction of fuel and air flow. Pressure will gradually increase giving improper fuel-air mixture and excess odor and smoke. If this occurs, replace the fuel nozzle.
5. **FUEL TANK.** Clean twice a season (during frequently used periods, clean twice a month). Drain and flush the fuel tank with clean fuel oil.

## Annual Maintenance Schedule

1. **AIR OUTPUT FILTER.** Remove the air output filter and tap the contaminated side gently on a solid object to remove contaminants. Compressed air or liquids should not be used to clean this filter. Reinstall cleaned filter in filter body in the same position as it was when removed. If the filter appears extremely dirty, replace it with a new filter of the same type. When replacing the filter cover, be sure the gasket is firmly in place and the screws in the filter cover are tight to prevent air leaks.
2. **FUEL FILTER.** Remove the fuel filter from fuel line and direct compressed air through the filter in the opposite direction of fuel flow. Safety glasses should be worn when using compressed air.
3. **AIR AND FUEL LINES.** If the air or fuel lines are removed during cleaning, be sure all connections are tight before operating unit.

### STORAGE

Store the heater in a dry location free from fumes or dust.

At the end of each heating season, clean the heater as described in the MAINTENANCE section. Drain and flush the fuel tank with clean fuel. The manufacturer recommends completely filling the tank with fuel for extended storage to minimize condensation inside the tank.

### SERVICING

#### A WARNING

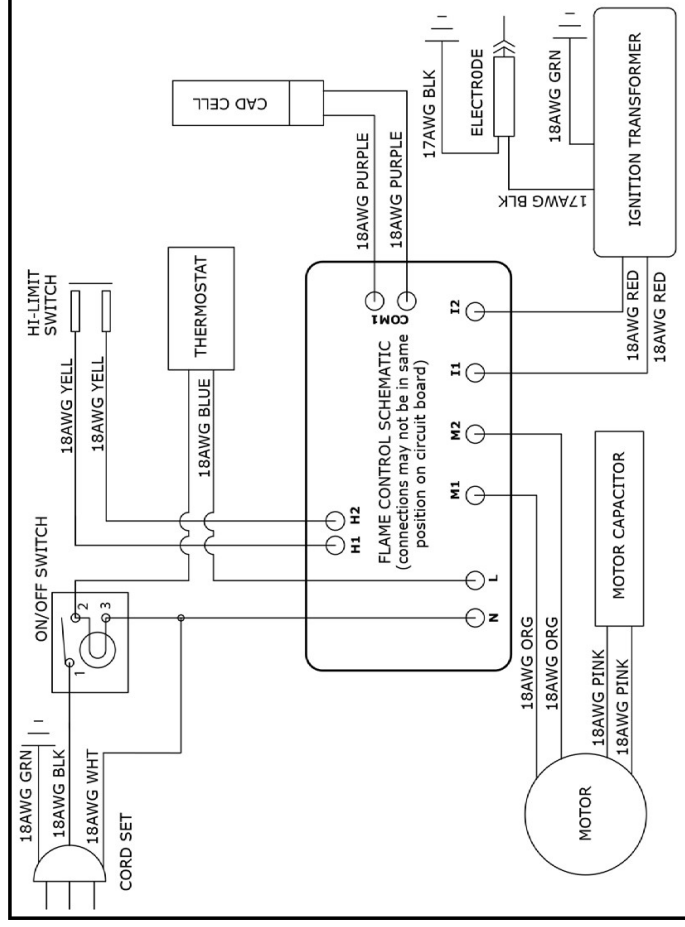
A hazardous condition may result if a heater is used that has been modified or is not functioning properly.

When the heater is working normally:

- \* The flame is contained within the heater.
- \* The flame is essentially yellow.
- \* There is no strong disagreeable odor, eye burning or other physical discomfort.
- \* There is no smoke or soot internal or external to the heater.
- \* There are no unplanned or unexplained shut downs of the heater.

Immediately shut down and do not use a heater that is not working normally. Do not attempt to re-start and use the heater until it has been serviced by qualified service personnel.

## Wiring Diagram



The parts lists and wiring diagram show the heater as it was constructed. Do not use a heater which is different from that shown. Heater performance is effected by air pressure setting. If there is any uncertainty about the air pressure setting, have it checked.

A heater which is not working right must be repaired, but only by a trained, experienced service person.

## Diagnostic Safety Shutdown and Trouble Shooting

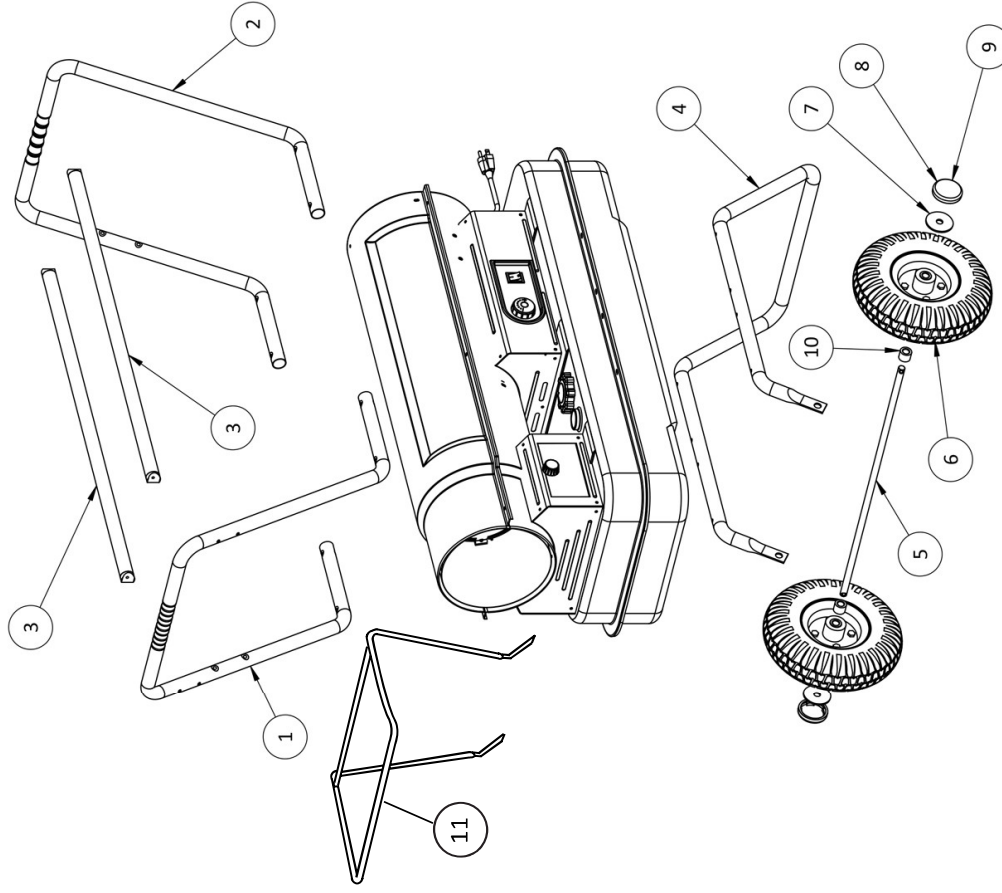
These instructions are applicable for DXH135HD, DXH190HD, DXH215HD

SYMPTOM	TROUBLE SHOOTING
High limit switch Open Circuit	<ol style="list-style-type: none"> <li>1) Make sure heater is cooled off, toggle switch to "O" position, wait 5 minutes and retry.</li> </ol>
Sparks, calling for flame, but no or slow motor operation	<ol style="list-style-type: none"> <li>1) Check wiring to motor (per wiring schematic in manual).</li> <li>2) Make sure that the pressure gauge plug is in place and not damaged.</li> <li>3) Adjust pressure for proper heater operation per manual.</li> <li>4) With heater disconnected from AC source, rotate fan clockwise to verify motor is free.</li> <li>5) Remove air filter housing from motor and inspect the pump rotor for damage. If damaged, replace rotor assembly.</li> <li>6) If wiring is correct, pump rotor is okay, and motor is not rotating freely, replace motor or power-pack assembly.</li> <li>7) If problem persists, replace oil flame control assembly.</li> <li>8) Check for spark arching from the electrode assembly, to the combustion cylinder.</li> <li>9) Check the cad cell for continuity.</li> </ol>
No Spark	<ol style="list-style-type: none"> <li>1) Check length and gage of extension cord for proper amp. draw. (Check requirements on page 5.)</li> <li>2) Check wiring to igniter (per wiring schematic in manual).</li> <li>3) Check gap between electrode probes (2.3 - 3 mm).</li> <li>4) Still no spark, replace igniter assembly.</li> </ol>
Abnormal Motor Operation - Motor overheats or Stops	<ol style="list-style-type: none"> <li>1) Motor speed too low (Motor should operate at 3450rpm, except 50K at 1550rpm) - Replace motor.</li> <li>2) With heater disconnected from AC source, rotate fan clockwise to verify motor is free.</li> <li>3) Remove air filter housing from motor and inspect the pump rotor for damage. If damaged, replace rotor assembly.</li> <li>4) If wiring is correct, pump rotor is okay, and motor is not rotating freely, replace motor or power-pack assembly.</li> </ol>
Unable to Detect Flame	<ol style="list-style-type: none"> <li>1) Check wiring to cad cell (per wiring schematic in manual).</li> <li>2) Clean cad cell photo cell.             <ol style="list-style-type: none"> <li>a) Slide cad cell out of cad cell holder.</li> <li>b) Push the photo cell out of the black rubber cad cell housing by pushing on the 2 purple wires.</li> <li>c) Clean the photo cell with a soft cloth and rubbing alcohol.</li> <li>d) Pull the photo cell back into the cad cell housing and reinstall into holder.</li> <li>e) Test heater.</li> </ol> </li> <li>3) If the heater still does not operate, replace cad cell.</li> </ol>
Flame Control Failure	<ol style="list-style-type: none"> <li>1) Check wiring in heater (per wiring schematic in manual).</li> <li>2) Replace oil flame control assembly.</li> </ol>

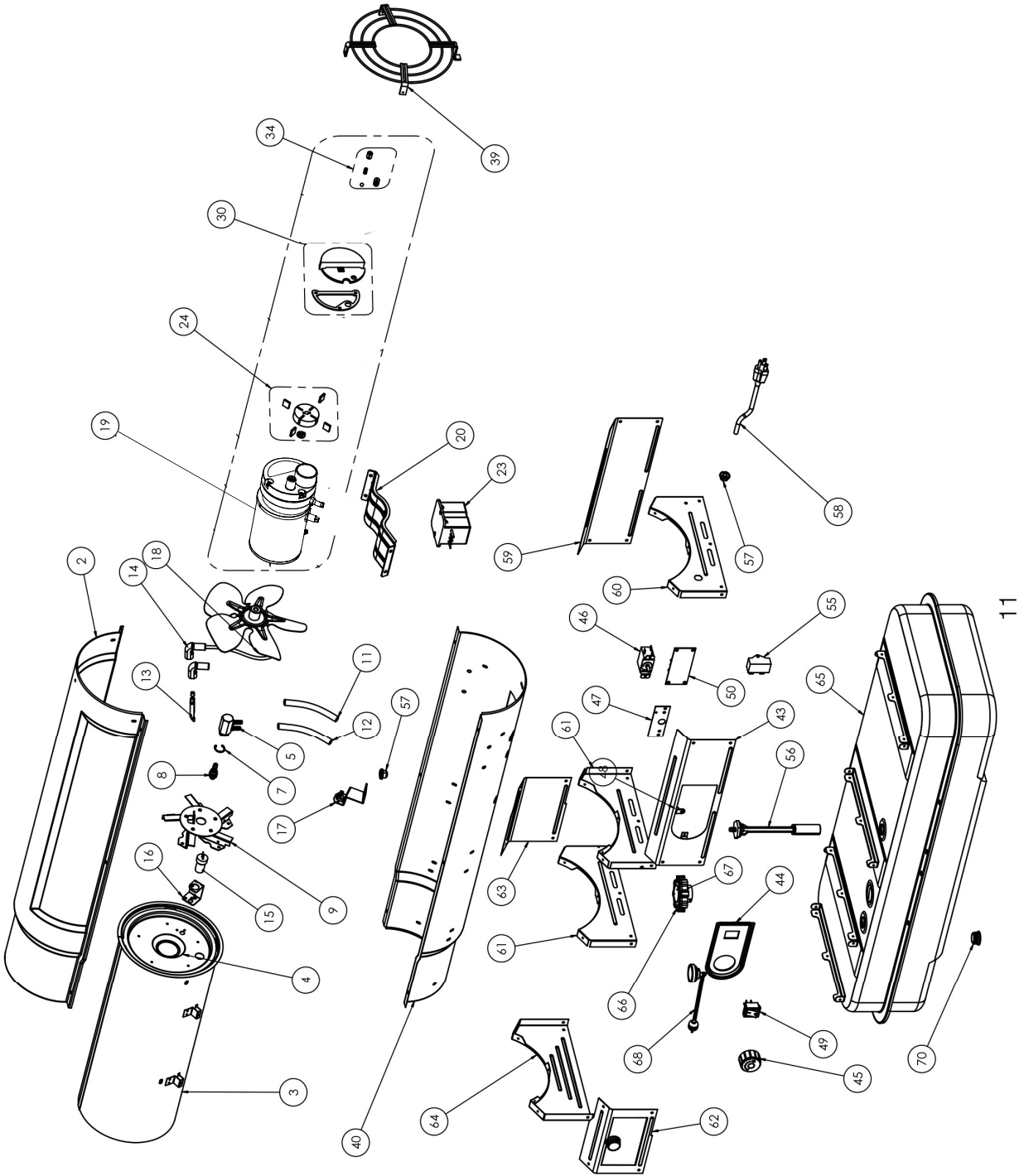


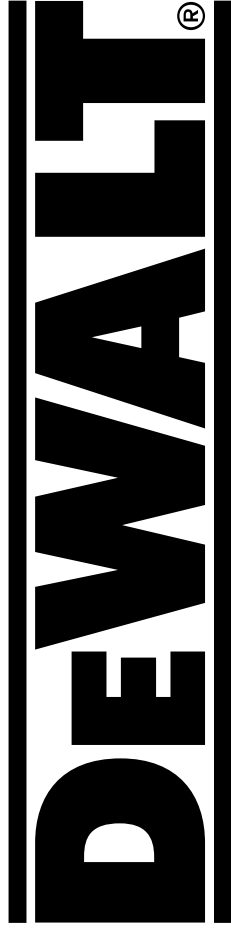
### Handle & Wheel Assembly Parts List

REF.	DXH135HD	DXH190HD	DXH215HD	DESCRIPTION
1	40856	27114	40856	Front Handle
2	40857	<del>27108</del>	40857	Rear Handle
3	40858	<del>27108</del>	40858	Cross Handle(2)
4	<del>21875</del>	<del>27108</del>	<del>21875</del>	Wheel Support Frame
5	22190	22190	22190	Axle
6	40940	40940	40940	Wheel Assembly
7	28749	28749	28749	Large Retainer Washer
8	28750	28750	28750	Cotter Pin
9	28751	28751	28751	Hub Cap
10	21897	21897	21897	Wheel Spacer
*	28787	28787	28787	Hardware Kit
11**	21908	21909	21909	Drape Guard
				* Not Shown
				** Canadian Requirement



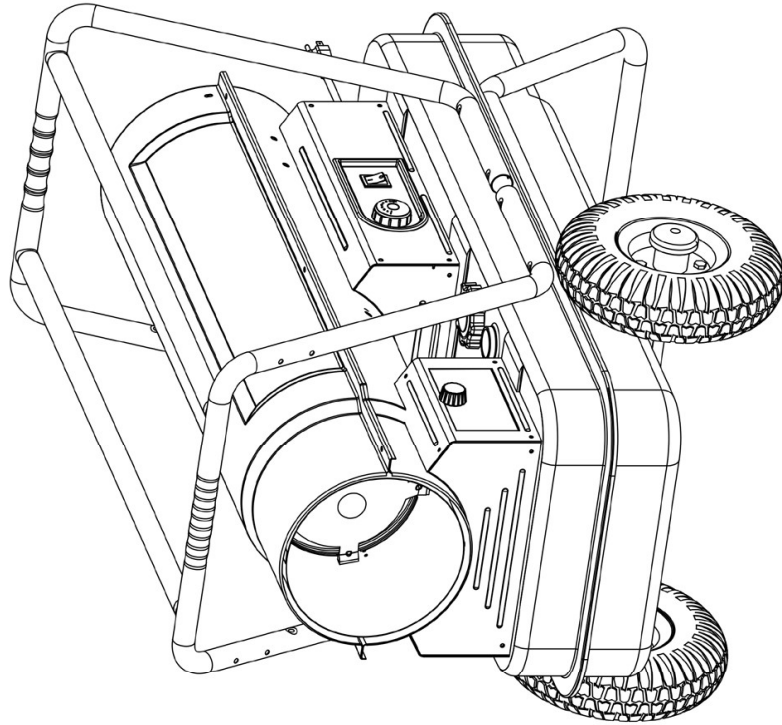






## INSTRUCTION MANUAL

**Kerosene Forced-Air Heater  
DXH135HD, DXH190HD, DXH215HD**



### **Warning:**

Use only manufacturer's replacement parts. Use of any other parts could cause injury or death. Replacement parts are only available direct from the factory and must be installed by a qualified service agency.

### **PARTS ORDERING INFORMATION:**

**PURCHASING:** Accessories may be purchased at any DeWalt® local dealer or direct from the factory

### **FOR INFORMATION REGARDING SERVICE:**

Please call Toll-Free 855-805-5745  
[www.dewalt.com](http://www.dewalt.com)

Our office hours are 8:00 AM – 5:00 PM, EST, Monday through Friday.

Please include the model number, date of purchase, and description of problem in all communication.

### **LIMITED WARRANTY:**

DeWalt® warrants its heaters and accessories to be free from defects in material and workmanship for a period of 1 year from date of purchase. DeWalt® will repair or replace this product free of charge if it has been proven to be defective within the 1-year period, and is returned at customer expense with proof of purchase to DeWalt® within the warranty period.



UL-733, CSA B140.8, CSA  
B140.9.3

*If you have questions or comments, contact us.  
Pour toute question ou tout commentaire, nous contacter.  
Si tiene dudas o comentarios, contáctenos.*

**855-805-5745 • [www.dewalt.com](http://www.dewalt.com)**

**INSTRUCTION MANUAL  
MANUEL D'INSTRUCTIONS  
MANUAL DE INSTRUCCIONES**

---

# **DEWALT**®

---

**Kerosene Forced-Air Heater DXH135HD, DXH190HD, DXH215HD  
Fournaise à air forcé au kérosène DXH135HD, DXH190HD, DXH215HD  
Calentador de aire forzado a queroseno DXH135HD, DXH190HD, DXH215HD**

2017-40798-CB

**READ INSTRUCTIONS CAREFULLY:** Read and follow all instructions. Place instructions in a safe place for future reference. Do not allow anyone who has not read these instructions to assemble, adjust or operate the heater.

**VEUILLEZ LIRE ATTENTIVEMENT LES INSTRUCTIONS :** Lisez et observez toutes les instructions. Conservez ces instructions dans un endroit sûr pour référence ultérieure. Interdisez à quiconque n'ayant pas lu les présentes directives d'assembler, de régler ou de faire fonctionner cette fournaise.

**LEA CUIDADOSAMENTE LAS INSTRUCCIONES:** Lea y siga todas las instrucciones. Conserve estas instrucciones en un lugar seguro para futura referencia. No permita que nadie que no haya leído estas instrucciones arme, ajuste o use el calentador.

**Définitions : Directives de sécurité**

Les définitions ci-dessous décrivent le niveau de gravité pour chaque mot signalé. Veuillez lire le manuel et faites attention à ces symboles.

- ▲ **DANGER** : Indique une situation à risque imminent, laquelle si elle n'est pas évitée, **entraînera des blessures sérieuses ou la mort.**
- ▲ **AVERTISSEMENT** : Indique une situation à risque potentiel, laquelle si elle n'est pas évitée, **pourrait entraîner des blessures sérieuses ou la mort.**
- ▲ **MISE EN GARDE** : Indique une situation potentiellement dangereuse, laquelle si elle n'est pas évitée, **peut causer des blessures mineures ou des blessures légères.**
- ▲ **AVIS** : Indique une pratique non reliée à une blessure personnelle qui, si elle n'est pas évitée, **peut entraîner des dommages matériels.**

**▲ AVERTISSEMENT : NE FAITES PAS FONCTIONNER LA FOURNAISE TANT QUE VOUS NE LISEZ PAS NI NE COMPRENEZ PAS CE MANUEL DE DIRECTIVES DE SÉCURITÉ, DE FONCTIONNEMENT ET D'ENTRETIEN.**

**▲ AVERTISSEMENT :**

Le non-respect des mesures de prévention et des directives fournies avec cette fournaise risque de causer la mort, des blessures graves et des dommages ou des pertes matérielles résultant d'un incendie, d'une explosion, d'une brûlure, d'une asphyxie, d'une intoxication au monoxyde de carbone et/ou d'une électrocution. Seules les personnes aptes à comprendre et à respecter les directives devraient utiliser cette fournaise et en effectuer le service.

**▲ DANGER :**

**LE MONOXYDE DE CARBONE PEUT VOUS TUER**

Cette fournaise produit du monoxyde de carbone. N'utilisez pas l'appareil dans des espaces occupés. Ventilez l'édifice, la pièce ou tout autre endroit fermé où la fournaise a été utilisée avant d'y entrer. Ne jamais l'utiliser dans un véhicule, dans un véhicule récréatif ou dans une tente.

**▲ AVERTISSEMENT :**

Non conçu pour une utilisation à l'intérieur de la maison ou dans un véhicule récréatif. Ne pas l'utiliser pour cuire ou réchauffer des aliments.

**▲ AVERTISSEMENT :**

Danger d'incendie, de brûlure, d'inhalation et d'explosion. Gardez les combustibles solides tels que les matériaux de construction, le papier ou le carton, à une distance sécuritaire de la fournaise telle que recommandée dans les directives. N'utilisez jamais la fournaise dans un endroit qui contient ou risque de contenir des combustibles volatils ou en suspension dans l'air, ou des produits tels que de l'essence, des solvants, du diluant à peinture, des particules de poussière ou des produits chimiques inconnus.

**▲ AVERTISSEMENT : RISQUE DE FEU OU D'EXPLOSION**

- N'utilisez pas d'essence, de naphtha ou de combustibles volatils.
- Arrêtez la fournaise avant de rajouter du carburant.
- Remplissez toujours à l'extérieur loin de toute flamme nue.
- N'utilisez pas une source externe de carburant.
- Ne faites pas fonctionner la fournaise où des liquides ou des vapeurs inflammables peuvent être présents.
- Ne démarrez pas la fournaise lorsque la chambre intérieure est chaude.
- Ne démarrez pas la fournaise lorsqu'un excédent de carburant s'est accumulé dans la chambre intérieure.

**▲ AVERTISSEMENT :**

Les sous-produits de combustion émis lors de l'utilisation de cet appareil contiennent du monoxyde de carbone, un produit chimique reconnu par l'état de Californie comme pouvant causer le cancer et des malformations congénitales (ou autres dommages au système reproducteur). Cet appareil contient des produits chimiques reconnus par l'état de Californie comme pouvant causer le cancer et des malformations congénitales ou autres dommages au système reproducteur.

**▲ AVERTISSEMENT : RISQUE DE CHOC ÉLECTRIQUE**

- Branchez le cordon d'alimentation dans une prise à 3 bornes mise à la terre.
- N'utilisez pas dans des conditions d'humidité ou de zones mouillées.

# TABLE DES MATIÈRES

AVERTISSEMENTS ..... 2-3

SPÉCIFICATIONS DE LA FOURNAISE.....3

PRÉCAUTIONS LIÉES AU FONCTIONNEMENT .....4

PRÉCAUTIONS DE SÉCURITÉ.....4

CONSIGNES D'UTILISATION ..... 4-5

ENTRETIEN, RANGEMENT ET SERVICE ..... 5-7

SCHEMA DU CÂBLAGE.....7

GUIDE DE DÉPANNAGE .....8

LISTES DES PIÈCES/VUES ÉCLATÉES..... 9-11

GARANTIE .....12

DIRECTIVES POUR COMMANDER DES PIÈCES .....12

## ▲ AVERTISSEMENT : RISQUE DE FEU OU D'EXPLOSION

- N'entreposez ni n'utilisez pas d'essence ou d'autres liquides ou vapeurs inflammables à proximité de ce type d'appareil ou de tout autre appareil. QUOI FAIRE SI VOUS SENTEZ UNE ODEUR DE GAZ?
  - Ouvrez les fenêtres.
  - **N'ESSAYEZ PAS** d'allumer quelque appareil que ce soit.
  - **NE PAS** basculer les interrupteurs électriques.
  - **NE PAS** utiliser les téléphones dans l'édifice. Appelez immédiatement le fournisseur de gaz local d'un téléphone à l'extérieur. Suivez les instructions de la compagnie de gaz.
  - **NE PAS** toucher tout interrupteur électrique; ne pas utiliser le téléphone dans votre édifice.
  - Si vous ne pouvez pas rejoindre votre fournisseur de gaz, appelez le service des incendies.

**MISE EN GARDE : Certifié CSA pour utilisation avec seulement du kérosène No 1-K.**  
**Testé en usine: n ° 2-K kérosène, n ° 1 n ° 2 ou Diesel, n ° 1 ou n ° 2 carburant JP8 de pétrole ou de carburant Jet A**

## Spécifications

Modèle	DXH135HD	DXH190HD	DXH215HD
Taux de combustion :	39,5 kW (135 000 Btu/hr)	55,6 kW (190 000 Btu/hr)	62,9 kW (215 000 Btu/hr)
Taux de carburant :	3,8 L/hr (1,0 gal/h)	5,3 L/hr (1,4 gal/h)	6,1 L/hr (1,61 gal/h)
Entrée électrique :	115 V, 60 Hz, 5,5 A	115 V, 60 Hz, 5,5 A	115 V, 60 Hz, 5,5 A
Protection en ligne :	20 A	20 A	20 A
Tension min. de fonctionnement :	110 V	110 V	110 V
Configuration de pression :	47 kPa (6,8 psig)	51,7 kPa (7,5 psig)	57,9 kPa (8,4 psig)
Température max. de sortie :	787 °C (1 450 °F)	787 °C (1 450 °F)	787 °C (1 450 °F)
Capacité du réservoir de carburant :	53 L (14 gal)	53 L (14 gal)	53 L (14 gal)
Allumage :	Étincelle directe, continu	Étincelle directe, continu	Étincelle directe, continu
Générateur d'étincelles :	Allumeur, 13 kV, 10 mA	Allumeur, 13 kV, 10 mA	Allumeur, 13 kV, 10 mA
Contrôle de sécurité primaire :	Régulateur à semi-conducteurs	Régulateur à semi-conducteurs	Régulateur à semi-conducteurs
Certification :	uCSAc	uCSAc	uCSAc

## Précautions liées au fonctionnement

### ⚠ AVERTISSEMENT

C'est une fournaise à air forcé, à chauffage direct, au kérosène. Son utilisation première est le chauffage temporaire des édifices sous construction, modification ou réparation. À chauffage direct veut dire que l'ensemble des produits de combustion entre dans l'espace de chauffage.

Même si cette fournaise fonctionne très près d'une efficacité de combustion à 100 %, il produit quand même une petite quantité de monoxyde de carbone. Le monoxyde de carbone (appelé CO) est toxique. Le CO peut s'accumuler dans un espace chauffé et un échec à fournir une ventilation adéquate peut provoquer la mort. Les symptômes d'une ventilation inadéquate sont les suivants :

- mal de tête
- étourdissement
- yeux et nez brûlants
- nausée
- bouche sèche et maux de gorge

Assurez-vous de suivre les conseils sur la ventilation dans la section des Précautions sur la sécurité.

Air forcé signifie qu'une souffleuse ou un ventilateur pousse l'air à travers la fournaise. Une combustion correcte dépend de ce flux d'air; ainsi, la fournaise ne doit pas être corrigée, modifiée ou mise en fonctionnement avec des parties enlevées ou manquantes. De ce fait, les systèmes de sécurité ne doivent pas être contournés ou modifiés afin de faire fonctionner la fournaise.

Lorsque la fournaise doit être mise en fonctionnement en présence de d'autres personnes, l'utilisateur est responsable de familiariser adéquatement les personnes présentes avec les mesures et directives de sécurité ainsi que les dangers impliqués.

## Mesures de sécurité

### ⚠ AVERTISSEMENT

1. Certifiée pour utilisation avec du carburant de kérosène No 1-K. Testée en usine pour utilisation avec du kérosène No 2-K, du diesel No 1 ou No 2, du mazout No 1 ou No 2, ou du carburant de jet A JPB, et ces carburants peuvent également être utilisés. N'utilisez jamais de l'essence, de l'huile égouttée de carters de moteur, du naphtha, des diluants à peinture, de l'alcool, ou tout autre carburant hautement inflammable. **Seulement magasin kérosène dans des conteneurs marqué kérosène ou kérosène.**
2. Vérifiez à fond la fournaise pour tout dommage. N'utilisez PAS une fournaise endommagée.
3. NE PAS modifier la fournaise ou faire fonctionner une fournaise qui a été modifiée de son état original.
4. Convient pour une utilisation en extérieur. Pour une utilisation en extérieur ou à l'intérieur, soit lorsque la ventilation est adéquate. L'appareil ne doit pas être exposé aux intempéries
5. Utilisez dans des zones bien aérées, fournissez une ouverture directement vers l'extérieur d'au moins 0,19 m ca (2 pi ca) près du plancher et 0,19 m ca (2 pi ca) près du plafond. Augmentez les ouvertures d'air comme indiquées pour chaque fournaise supplémentaire.

6. Gardez toujours les combustibles, comme le papier et le bois à au moins 2,4 m (8 pi) de la sortie de la fournaise, a 1 m (3 pi) du haut, des côtés, et de l'entrée. Placez-la à 3 m (10 pi) des toiles/toiles à bâche ou couvertures de plastique similaires et fixez-les pour les empêcher de battre au vent ou de bouger.

7. Mise en garde : À cause des fortes températures de surface et d'échappement, les adultes et les enfants doivent respecter les distances pour éviter toute brûlure ou inflammation de vêtements. Ne touchez pas. Garder les enfants, les vêtements et les combustibles hors de portée.

8. Installez la fournaise de façon à ce qu'elle ne soit pas directement exposée à une vaporisation d'eau, à de la pluie et/ou à de l'eau.

9. Ne jamais utiliser dans des espaces occupés et / ou là où il y a des enfants.

10. Faites fonctionner sur une surface stable et à niveau .

11. N'utilisez pas avec des gaines et des conduits d'air. Ne pas restreindre l'entrée ni la sortie d'air.

12. Utilisez seulement avec la tension électrique spécifiée. La connexion électrique et la mise à la terre doivent respecter le Code électrique national – ANSI/NFPA 70 (É.-U.) et CSA C22.1 Code canadien de l'électricité, Partie 1 (Canada).

13. Utilisez seulement une prise à 3 broches correctement mise à la terre ou une rallonge électrique.

14. Ne pas déplacer, manipuler, ou faire l'entretien lorsque l'appareil est chaud ou en fonctionnement.

15. Utilisez seulement selon les exigences, ordonnances et codes locaux, provinciaux ou nationaux.

16. Cage de sur ces unités est pour la protection des appareils de chauffage seulement. Ne pas se tenir debout ou s'asseoir sur le chauffe-Ne pas utiliser le cadre autour de l'appareil comme une table, scie cheval.

17. La boîte de stockage monté sous le canon de ces unités est prévue pour le stockage des articles qui ne sont pas sensibles à la chaleur. S'il vous plaît utiliser la boîte de stockage uniquement pour les petites pièces de rechange, des gants, des petits outils à main, etc

## Consignes d'utilisation

### DÉSEMBALLAGE

**À MISE EN GARDE : Unité pesante, n'essayez pas de soulever sans aide.**

1. Retirez l'appareil de son emballage.
2. Enlevez tout le matériel de protection qui peut avoir été appliqué à la fournaise pour son expédition.
3. Vérifiez la fournaise pour des dommages possibles encourus lors du transport. Si vous trouvez des dommages, contactez immédiatement le fabricant au 855-805-5745.



**ASSEMBLAGE** (Seulement pour les modèles 135 000, 190 000 et 215 000 BTU/hr, voir la figure 1 à la page 9).

Les roues et les poignées se trouvent dans la boîte d'expédition avec le matériel de montage.

Les roues, les axes et le matériel de montage sont dans un paquet. Les outils requis sont un tourne-écrou de 5/16 po, une clé ouverte ou réglable de 3/8 po et des pinces standards.

1. Assemblez les roues sur le support à roue comme montré.
- a. Installez une des goupilles fendues dans le trou à l'une des extrémités de l'axe.
- b. Glissez la grande rondelle, puis la roue dans l'axe à côté de la goupille fendue.
- c. Glissez l'espaceur dans l'axe à côté de la roue.
- d. Glissez l'axe partiellement assemblé à travers la structure de support de la roue.
- e. Glissez l'espaceur dans l'axe à côté du support de la roue.
- f. Glissez la roue puis la grande rondelle dans l'axe et maintenez en place avec la goupille fendue restante.
- g. Installez les capuchons sur les grandes rondelles pour terminer l'assemblage de la roue.
2. Positionnez l'appareil de chauffage sur l'assemblage du cadre du support de la roue avec la sortie à l'inverse des roues.
3. Utilisez huit vis et écrous pour fixer les poignées au haut de la bride du réservoir.  
Les vis vont aller à travers les poignées, la bride du réservoir et le cadre de support de la roue.  
Installez les écrous et serrez à la main jusqu'à ce que l'ensemble des écrous soit installé.
4. Bien serrez tous les écrous.
5. Attachez le support de la barre transversale à la poignée à la verticale à l'avant et à l'arrière avec les vis puis serrez.
6. Fixer drapeau de protection avec vis incluses. (Exigence Canadienne)

## PRÉPARATION POUR LE FONCTIONNEMENT

1. Vérifiez la fournaise pour des dommages possibles encourus lors du transport. Si vous en trouvez, contactez immédiatement le fabricant au 855-805-5745.
2. Veuillez suivre toutes les « précautions ».
3. Remplissez le réservoir de carburant avec du kérosène propre. Dans un climat extrêmement froid, de la condensation peut se développer dans le réservoir et il est recommandé qu'une cuillerée à table de dégivrant soit ajoutée pour chaque 4 litres (1 gal) de carburant dans le réservoir. En remplissant la fournaise, utilisez au moins 8 litres (2 gal) de carburant. Assurez-vous que la fournaise soit au niveau et ne déborde pas. Utilisez un entonnoir avec un long bec de remplissage.

**AVIS : Avant de remplir le réservoir de carburant pour la première fois, ou après de longues périodes d'entreposage, vidangez le réservoir de carburant de toute humidité ou condensation.**

4. Placez la fournaise à une distance sécuritaire de tout matériel combustible.

## MISE EN MARCHÉ DE LA FOURNAISE

1. Tournez les thermostat à sa position la plus basse, assurez-vous que le commutateur « ON/OFF » (Entrée/Sortie) soit à « OFF ». Branchez la fournaise dans une prise mise à la terre de 115 V, 60 Hz, sortie 1 phase. Tournez le thermostat à sa plus haute position. Démarrez la fournaise en appuyant sur l'interrupteur à bascule à la position « ON » (si allumé, cela signifie que l'interrupteur est en position « ON »). Réglez le thermostat à la température désirée. La fournaise va faire son cycle de travail (ON/OFF) à mesure que de la chaleur soit requise.

**EXIGENCES DE LA RALLONGE ÉLECTRIQUE :** Jusqu'à 30,5 m (100 pi), utilisez des conducteurs 16 AWG. De 30,5 à 61,0 m (101 à 200 pi), utilisez des conducteurs 14 AWG.

## Pour tous les modèles :

- Dans un climat froid (en-dessous de -12,2 °C), le démarrage peut être amélioré en maintenant un doigt sur le trou de ventilation du capuchon de la vis de réglage de la pompe jusqu'au démarrage de la fournaise.
- Cet appareil est pourvu d'un circuit d'interruption. Le système de réinitialisation est intégré avec le commutateur « ON/OFF ». Si l'appareil ne démarre pas, basculez l'interrupteur à « OFF », attendez 5 minutes, et basculez l'interrupteur à « ON ».

## ARRÊT DE LA FOURNAISE

Basculez l'interrupteur « ON/OFF » à la position « OFF ». Pour un arrêt étendu, débranchez la fournaise de sa source d'alimentation.

## REDÉMARRAGE APRÈS UN ARRÊT DE SÉCURITÉ

Basculez l'interrupteur à la position « OFF », attendez 5 minutes. Redémarrez.

## Entretien et entreposage

**AVERTISSEMENT :** Pour prévenir toute blessure personnelle, débranchez la fournaise de la prise murale avant tout entretien.

Pour une efficacité maximale et un entretien sans problème, faites l'entretien, le nettoyage et les inspections périodiques suivantes.

## RÉGLAGE DE LA PRESSION DE LA POMPE

À cause de diverses viscosités du carburant et d'usure normale des composants, la pression de la pompe dans cette fournaise peut avoir besoin d'être réglée. Le chauffage ne doit être utilisé au réglage du brûleur recommandé par le fabricant.

Réglage pression vis

(situé à l'arrière de l'appareil de chauffage)



### PROCÉDURE DE RÉGLAGE :

1. Remplissez le réservoir de carburant.
2. Démarrez la fournaise.
3. Localisez la vis de réglage de pression de carburant (réf. N ° 26) dans les parties éclatées de dessin. La vis de réglage de pression est situé à l'arrière de l'appareil de chauffage, dans le couvercle du boîtier de filtre à air (vis de réglage à fente env. 10 heures de position).
4. Le bouchon directement sous la vis de réglage peut être utilisé pour installer un indicateur de pression. Il ne s'agit pas d'une deuxième vis de réglage.
5. L'aide d'un tournevis à lame plate, tourner la vis de réglage pression de la pompe dans le sens horaire pour augmenter la pression de la pompe et / ou anti-horaire pour diminuer la pression de la pompe. Pressions de la pompe de base peuvent être trouvés dans la grille des spécifications à la page 3 du «Mode d'emploi et des propriétés de Manuel».

6. Pour de meilleurs résultats, le cône de nez dans la chambre de combustion doit être rouge cerise sans taches sombres et la flamme ne doit pas s'étendre au-delà du cône de nez.

### RÉGLAGE INCORRECT DE LA PRESSION

**Problème :** La fournaise n'a pas une forte flamme cohérente.

La fournaise produit de la fumée et éjecte du carburant brut.

Le cône de nez ne devient pas de couleur rouge cerise.

**Réglage :** La pression de la pompe est trop basse.

Tournez la vis de réglage dans le sens des aiguilles d'une montre pour augmenter la pression de la pompe.

**Problème :** La flamme va au-delà de l'extrémité de la fournaise.

**Réglage :** La pression de la pompe est trop élevée.

Tournez la vis de réglage dans le sens contraire des aiguilles d'une montre pour diminuer la pression de la pompe.

## Calendrier d'entretien quotidien

1. GÉNÉRAL. Faites une inspection visuelle générale de la fournaise pour toute pièce mal fixée ou endommagée. Vérifiez les écrous et boulons pour s'assurer qu'ils soient bien fixés et non détachés à cause de la vibration ou de toute forte manipulation. Les parties endommagées devraient être réparées ou remplacées avant d'utiliser de nouveau la fournaise. Vérifiez le fonctionnement de la fournaise pour s'assurer qu'elle fonctionne normalement (Voir la section « Entretien » pour la description d'un fonctionnement normal).
2. FILTRES. Des filtres de carburant ou d'air sales causeront un déséquilibre dans le mélange air-carburant. La meilleure indication que cette condition existe est une augmentation des odeurs ou une difficulté à ce que votre fournaise s'allume. Cette fournaise ne devrait jamais fonctionner sans avoir de filtres en place. Si requis, nettoyez les filtres comme décrit dans les sections « 500 heures » et « Horaires annuels ».

## 500 calendrier d'entretien d'une heure

1. FILTRE D'ADMISSION D'AIR. Enlevez et nettoyez l'élément du filtre avec un détergent doux, bien sécher et remplacer. Ne pas huiler l'élément du filtre. Si votre fournaise est utilisée où il y a une quantité considérable de poussière ou de saletés, nettoyez aussi souvent que nécessaire (environ chaque 50 heures).
2. ENLÈVEMENT DE LA POUSSIÈRE. Nettoyez la fournaise deux fois durant la saison (plus souvent s'il y a des conditions de poussière forte). Enlevez la poussière accumulée du transformateur, du brûleur, du moteur et des pales de ventilateur avec de l'air comprimé. Nettoyez la zone avec un chiffon propre et sec. Inspectez la zone pour s'assurer que tous les corps étrangers soient enlevés, spécialement autour de la zone du brûleur et de combustion.
3. CELLULE AU CDS. Nettoyez la portion de verre de la cellule au CdS avec un chiffon doux et sec.
4. TUYÈRE. L'accumulation de saletés de carburant et de carbone des pales du compresseur va éventuellement remplir les passages dans la tuyère, donnant lieu à une réduction du flux de carburant et d'air. La pression va graduellement augmenter donnant un mélange incorrect de carburant-air et des odeurs et de la fumée en excès. Si cela se produit, remplacez la tuyère du carburant.
5. RÉSERVOIR DE CARBURANT. Nettoyez deux fois durant la saison (durant les périodes d'utilisation fréquentes, nettoyez deux fois par mois). Videz et rincez le réservoir de carburant avec de l'huile propre pour carburant.

## Programme d'entretien annuel

1. **FILTRE DE SORTIE D'AIR** Enlevez le filtre de sortie d'air et tapez doucement le côté contaminé sur un objet solide pour enlever les contaminants. De l'air ou des liquides comprimés ne devraient pas être utilisés pour nettoyer ce filtre. Installez de nouveau le filtre nettoyé dans le corps du filtre dans la même position qu'il était au moment que vous l'avez enlevé. Si le filtre semble très sale, remplacez-le avec un nouveau filtre du même type. Lors du remplacement du couvercle du filtre, assurez-vous que le joint est fermement en place et que les vis dans la couvercle du filtre soient serrées pour prévenir toute fuite d'air.
2. **FILTRE DE CARBURANT**: Enlevez le filtre de carburant de la conduite d'alimentation en carburant et dirigez de l'air comprimé à travers le filtre dans la direction opposée du flux de carburant. Des lunettes de sécurité devraient être portées lors de l'utilisation d'air comprimé.
3. **CONDUITES D'ALIMENTATION EN CARBURANT ET D'AIR**. Si les conduites d'alimentation en carburant ou d'air sont enlevées durant le nettoyage, assurez-vous que tous les branchements soient serrés avant de faire fonctionner l'appareil.

## ENTREPOSAGE

Entreposez la fournaise dans un endroit sec libre de fumées ou de poussière. À la fin de chaque saison de chauffage, nettoyez la fournaise comme décrit dans la section ENTRETIEN. Videz et rincez le réservoir de carburant avec du carburant propre. Le fabricant recommande de remplir complètement le réservoir avec du carburant pour un rangement à long terme pour minimiser la condensation à l'intérieur du réservoir.

## LE SERVICE

### ⚠ AVERTISSEMENT

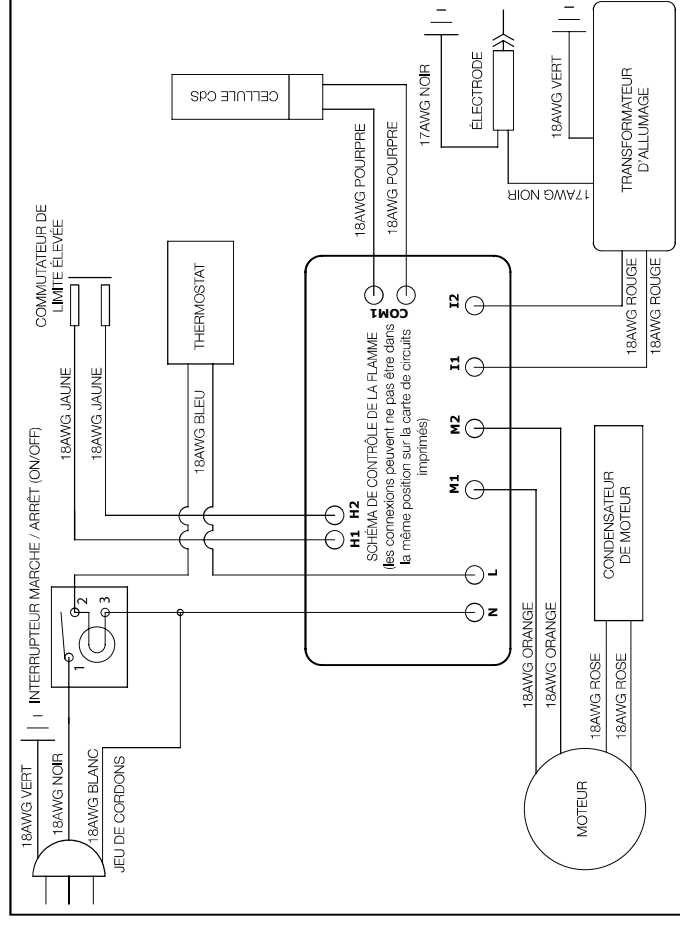
Une situation dangereuse pourrait survenir si la fournaise utilisée a été modifiée ou ne fonctionne par correctement.

Lorsque la fournaise fonctionne normalement :

- \* La flamme est contenue à l'intérieur de la fournaise.
- \* La fournaise est principalement de couleur jaune.
- \* Il n'y a pas de forte odeur désagréable, aucun inconfort tels que les yeux qui brûlent ou autres.
- \* Il n'y a pas de fumée, de suie interne ou externe à la fournaise.
- \* Il n'y a aucun arrêt non planifié ou inexplicable de la fournaise.

Fermez immédiatement et n'utilisez pas une fournaise qui ne fonctionne pas normalement. N'essayez pas de redémarrer et d'utiliser la fournaise jusqu'à son entretien par du personnel de service qualifié.

## Schéma du câblage



Les listes de pièces et la vue éclatée illustrent la fournaise tel qu'elle a été fabriquée. N'utilisez pas une fournaise qui est différente de celle illustrée. Le rendement de la fournaise est affecté par la configuration de la pression d'air. S'il y a un doute concernant le réglage de la pression d'air, faites-la vérifier. Une fournaise qui ne fonctionne pas correctement doit être réparée, mais uniquement par un technicien de service compétent et entraîné à le faire.

## Diagnostic d'arrêt de sécurité et dépannage

Ces directives sont applicables pour les modèles DXH135HD, DXH190HD, DXH215HD

SYMPTÔME	GUIDE DE DÉPANNAGE
Circuit ouvert d'interrupteur de limite élevée	<ol style="list-style-type: none"> <li>1) Assurez-vous que la fournise soit refroidie, basculez l'interrupteur à la position « O », attendez 5 minutes et essayez de nouveau.</li> </ol>
Des étincelles se produisent cherchant une flamme, mais il n'y a aucun fonctionnement du moteur ou bien un fonctionnement lent de ce dernier	<ol style="list-style-type: none"> <li>1) Vérifiez le câblage au moteur (selon le schéma de câblage dans le manuel).</li> <li>2) Assurez-vous que le bouchon de la jauge de pression soit en place et non endommagé.</li> <li>3) Réglez la pression pour un bon fonctionnement de la fournise selon le manuel.</li> <li>4) Avec la fournise débranchée de la source CA, tournez le ventilateur dans le sens des aiguilles d'une montre pour vérifier que le moteur soit libre.</li> <li>5) Enlevez le bâti du filtre d'air du moteur et inspectez le rotor de la pompe pour tout dommage. Si endommagé, remplacez l'assemblage du rotor.</li> <li>6) Si le câblage est correct, que le rotor de la pompe est correct, et que le moteur ne tourne pas librement, remplacez le moteur ou l'assemblage du bloc d'alimentation.</li> <li>7) Si le problème persiste, remplacez l'assemblage du contrôle de la flamme d'huile.</li> <li>8) Vérifiez pour toute étincelle arquant de l'assemblage de l'électrode au cylindre de combustion.</li> <li>9) Vérifiez la cellule au sulfure de cadmium pour la continuité.</li> </ol>
Aucune étincelle	<ol style="list-style-type: none"> <li>1) Vérifiez la longueur et la jauge de la rallonge électrique pour un ampérage correct. (Voir les exigences à la page 5.)</li> <li>2) Vérifiez le câblage pour l'allumeur (selon le schéma de câblage dans le manuel).</li> <li>3) Vérifiez l'espace entre les sondes d'électrodes (2,3 à 3,0 mm).</li> <li>4) Toujours aucune étincelle, remplacez l'assemblage de l'allumeur.</li> </ol>
Fonctionnement anormal du moteur - Surchauffes ou arrêts du moteur	<ol style="list-style-type: none"> <li>1) Vitesse du moteur trop basse (Moteur doit fonctionner à 3 450 RPM, sauf le 50K à 1 550 RPM) - Remplacez le moteur.</li> <li>2) Avec la fournise débranchée de la source CA, tournez le ventilateur dans le sens des aiguilles d'une montre pour vérifier que le moteur soit libre.</li> <li>3) Enlevez le bâti du filtre d'air du moteur et inspectez le rotor de la pompe pour tout dommage. Si endommagé, remplacez l'assemblage du rotor.</li> <li>4) Si le câblage est correct, que le rotor de la pompe est correct, et que le moteur ne tourne pas librement, remplacez le moteur ou l'assemblage du bloc d'alimentation.</li> </ol>
Incapable de détecter la flamme	<ol style="list-style-type: none"> <li>1) Vérifiez le câblage à la cellule au sulfure de cadmium (selon le schéma de câblage dans le manuel).</li> <li>2) Nettoyez la cellule photovoltaïque de la cellule au sulfure de cadmium.             <ol style="list-style-type: none"> <li>a) Glissez la cellule au sulfure de cadmium hors du support de la cellule au sulfure de cadmium.</li> <li>b) Poussez la cellule photovoltaïque hors du bâti en caoutchouc noir de la cellule au sulfure de cadmium en poussant sur les 2 fils pourpres.</li> <li>c) Nettoyez la cellule photovoltaïque avec un chiffon doux et de l'alcool à friction.</li> <li>d) Remettez la cellule photovoltaïque dans le bâti de la cellule au sulfure de cadmium et installez de nouveau dans le support.</li> <li>e) Testez la fournise.</li> </ol> </li> <li>3) Si la fournise ne fonctionne pas, remplacez la cellule au sulfure de cadmium.</li> </ol>
Échec du contrôle de la flamme	<ol style="list-style-type: none"> <li>1) Vérifiez le câblage dans la fournise (selon le schéma de câblage dans le manuel).</li> <li>2) Remplacez l'assemblage du contrôle de la flamme d'huile.</li> </ol>

**Liste des pièces de l'assemblage de la roue et de la poignée**

REF.	DXH135HD	DXH190HD	DXH215HD	DESCRIPTION
1	40856	27114	40856	Poignée avant
2	40857	27103	40857	Poignée arrière
3	40858	27103	40858	Poignée transversale (2)
4	21875	27103	21875	Cadre de support de la roue
5	22190	22190	22190	Essieu
6	40940	40940	40940	Ensemble de roues
7	28749	28749	28749	Grande rondelle de retenue
8	28750	28750	28750	Goupille fendue
9	28751	28751	28751	Capuchon de moyeu
10	21897	21897	21897	Espaceur de roue
*	28787	28787	28787	Ensemble de matériel
11**	21908	21909	21909	Gaine de protection
				* Non Illustre
				**Exigence Canadienne

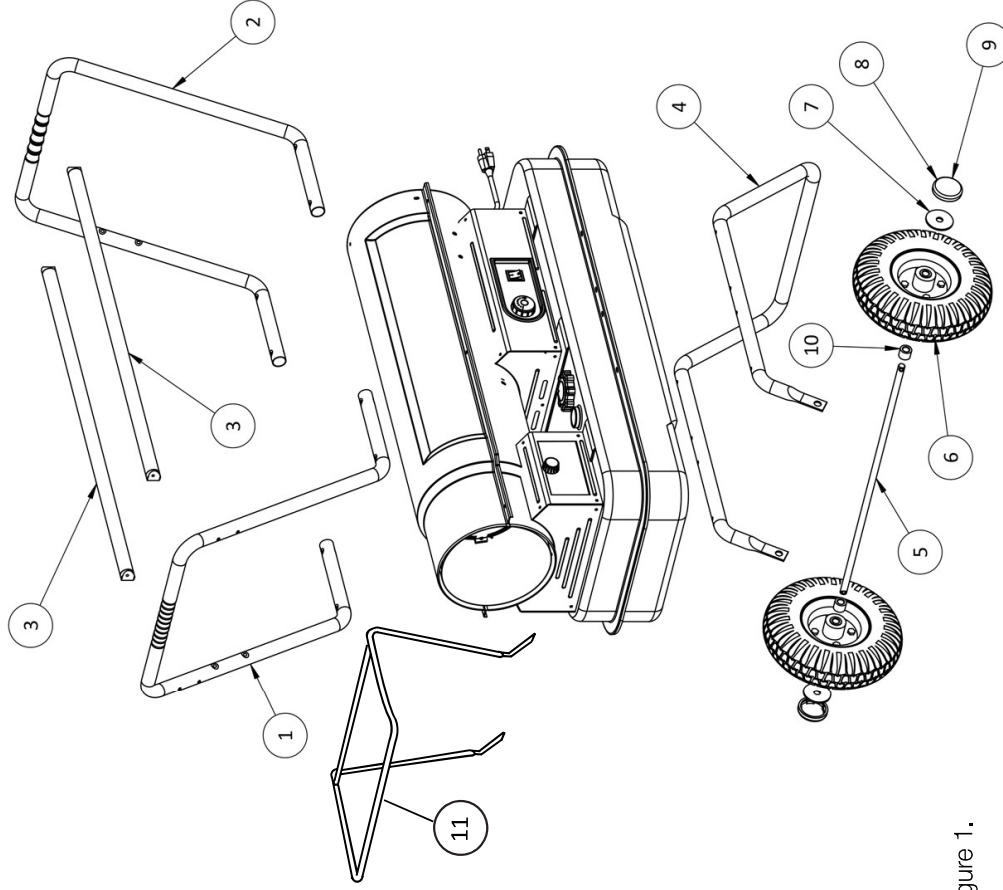


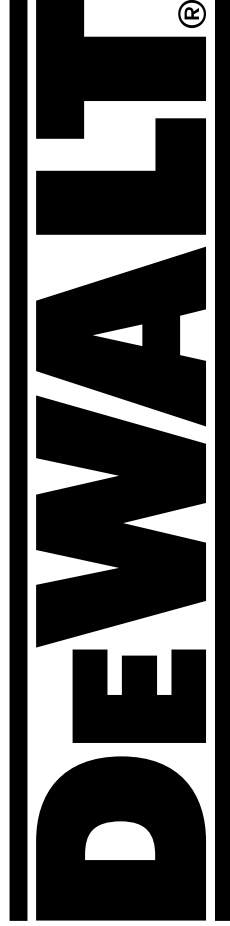
Figure 1.

# Liste des pièces

Ref.	Artículo	Artículo	Artículo	Descripción	Ref.	Artículo	Artículo	Artículo	Descripción
	DXH135HD	DXH190HD	DXH215HD			DXH135HD	DXH190HD	DXH215HD	
1	****	****	****		46	21734	21734	21734	Assemblage du thermostat
2	40805	40804	40804	Demi-coquille supérieure	47	40830	40830	40830	Support de montage du thermostat
3	40809	40807	40807	Assembl. du bouclier de radiation	48	26070	26070	26070	Pince de boucle
4	22233	22107	22107	Cylindre de chambre à combustion	49	40831	40831	40831	Interrupteur MARCHÉ/ARRÊT
5	28739	27790	28739	Adaptateur de tuyère	50	21866	21866	21866	Assemblage du contrôle de la flamme
7	27429	27429	27429	Anneau de retenue de tuyère, externe	55	28735	28735	28735	Condensateur de démarrage
8	F221879	F221891	F221891	Aspir. de carburant/d'air tuyère	56	28780	28780	28780	Filter de carburant avec rondelle
9	22257	22257	22257	Assemblage de tête de brûleur	57	26225	26225	26225	Anneau serre-câble
11	24346	24346	24346	Tube de carburant	58	21036	21036	21036	Cordon d'alimentation
12	24345	24345	24345	Tube d'air	59	40841	40841	40841	Panneau arrière du côté droit
13	F221857	F221857	F221857	Assemblage d'électrodes	60	40842	40842	40842	Panneau arrière de l'extrémité d'entrée
14	21820	21820	21820	Couvercle isolé d'électrode	61	40845	40845	40845	(1) Panneau avant de l'extrémité de l'entrée
15	F226865	F226865	F226865	Détecteur de flamme de la cellule CdS					(1) Panneau arrière de l'extrémité de sortie
16	24011	24011	24011	Support de la cellule CdS	62	40847	40847	40847	Panneau avant gauche avec porte
17	40814	40814	40814	Assembl. de contrôle de la limite sup.	63	40848	40848	40848	Panneau avant du côté droit
18	26885	26866	26866	Ventilateur	64	40846	40846	40846	Panneau avant de l'extrémité de sortie
19	26975	26975	26975	Assemblage du bloc d'alimentation	65	40852	40852	40852	Assemblage du réservoir de carburant
20	40818	40818	40818	Support de montage du moteur	66	26959	26959	26959	Capuchon de carburant
23	22142	22142	22142	Assemblage de l'allumeur	67	26910	26910	26910	Rondelle du capuchon à carburant
24	F226831	F226831	F226831	Trousse du rotor	68	28778	28778	28778	Jauge de carburant avec rondelle
				*Comprend : Rotor, palettes de rotor, et transmission du rotor	70	22132	22132	22132	Bouchon de vidange de réservoir
30	F221887	F221887	F221887	Trousse du filtre					
				*Comprend : Filtre d'entrée, filtre et rondelle de sortie, écran de filtre de carb.					
34	F266842	F266842	F266842	Trousse de réglage de la pompe					
				*Comprend : Bouchon, réglage Vis, ressort et roulement à billes					
39	40820	40820	40820	Assemblage de grille d'entrée					
40	40823	40824	40824	Demi-coquille du bas					
41	26227	26227	26227	Bague à dé clic					
42	****	****	****	****					
43	40826	40826	40826	Panneau de commande					
44	40828	40828	40828	Évidement de commande					
45	40829	40829	40829	Bouton du thermostat					

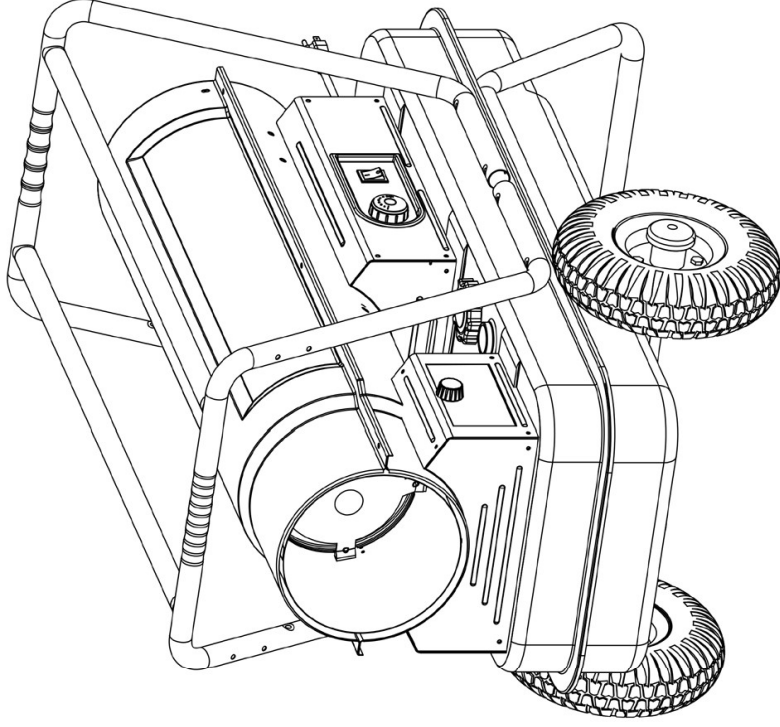
\* Non montré dans le dessin





**MANUEL D'INSTRUCTIONS**

**Fournaise à air forcé au kérosène  
DXH135HD, DXH190HD, DXH215HD**



**AVERTISSEMENT :**

N'utilisez que les pièces de remplacement du fabricant. L'utilisation d'autres pièces risque de causer des blessures et la mort. Les pièces de remplacement ne sont offertes que directement de l'usine et doivent être installées par une entreprise de service spécialisée.

**INFORMATION SUR LA COMMANDE DES PIÈCES :**

**ACHAT :** Les accessoires peuvent être achetés chez n'importe quel revendeur local DeWalt® ou directement à l'usine

**POUR OBTENIR DES INFORMATIONS SUR LE SERVICE :**

Appelez sans frais au 855-805-5745  
www.dewalt.com

Nos heures de bureau sont de 8 h 00 à 17 h, HE, du lundi au vendredi.

Veillez inclure le numéro du modèle, la date d'achat et la description du problème dans toute communication.

**GARANTIE LIMITÉE :**

DeWalt® garantit ses fournaises et ses accessoires contre les défauts de matériel et de main-d'œuvre pour une période d'un an à partir de la date d'achat.

DeWalt® réparera ou remplacera ce produit sans frais s'il est démontré qu'il est devenu défectueux pendant la période d'un (1) an et qu'il est retourné à DeWalt® aux frais de l'acheteur avec une preuve d'achat, au cours de la période de garantie.



UL-733, CSA B140.8, CSA  
B140.9.3



*If you have questions or comments, contact us.  
Pour toute question ou tout commentaire, nous contacter.  
Si tiene dudas o comentarios, contáctenos.*

**855-805-5745 • [www.dewalt.com](http://www.dewalt.com)**

**INSTRUCTION MANUAL  
MANUEL D'INSTRUCTIONS  
MANUAL DE INSTRUCCIONES**

---

# **DEWALT®**

---

**Kerosene Forced-Air Heater DXH135HD, DXH190HD, DXH215HD  
Fournaise à air forcé au kérosène DXH135HD, DXH190HD, DXH215HD  
Calentador de aire forzado a queroseno DXH135HD, DXH190HD, DXH215HD**

2017-40798 -CB

**READ INSTRUCTIONS CAREFULLY:** Read and follow all instructions. Place instructions in a safe place for future reference. Do not allow anyone who has not read these instructions to assemble, adjust or operate the heater.

**VEUILLEZ LIRE ATTENTIVEMENT LES INSTRUCTIONS :** Lisez et observez toutes les instructions. Conservez ces instructions dans un endroit sûr pour vous y référer ultérieurement. Interdisez à quiconque n'ayant pas lu les présentes directives d'assembler, de régler ou de faire fonctionner cette fournaise.

**LEA CUIDADOSAMENTE LAS INSTRUCCIONES:** Lea y siga todas las instrucciones. Conserve estas instrucciones en un lugar seguro para futura referencia. No permita que nadie que no haya leído estas instrucciones arme, ajuste o use el calentador.

**Definiciones: Indicaciones de seguridad**

Las siguientes definiciones describen el nivel de severidad para cada una de estas señales. Lea el manual y preste atención a estos símbolos.

- ▲ **PELIGRO:** Indica una situación inminente de peligro, la que si no se evita, **causará heridas graves o la muerte.**
- ▲ **ADVERTENCIA:** Indica una situación potencial de peligro, la que si no se evita, **podría causar heridas graves o la muerte.**
- ▲ **CUIDADO:** Indica una situación potencial de peligro, la que si no se evita, **podría resultar en heridas menores o moderadas.**
- ▲ **AVISO:** Indica una práctica no relacionada con heridas personales que, si no se evita, **podría causar daños materiales.**

**▲ ADVERTENCIA: NO USE ESTE CALENTADOR HASTA HABER LEÍDO Y COMPRENDIDO ESTE MANUAL DE INSTRUCCIONES DE SEGURIDAD, OPERACIÓN Y MANTENIMIENTO.**

**▲ ADVERTENCIA:**

El no cumplir con las precauciones e instrucciones que vienen con este calentador puede causar la muerte, lesiones graves y pérdidas o daños materiales derivados del peligro de incendio, explosión, quemaduras, asfixia, envenenamiento con monóxido de carbono, y/o descargas eléctricas.

Solo las personas que entiendan y puedan seguir las instrucciones deben usar o mantener este calentador.

**▲ PELIGRO:**

**EL MONÓXIDO DE CARBONO PUEDE CAUSARLE LA MUERTE**  
Este calentador produce monóxido de carbono. No lo utilice en lugares donde haya gente.

Ventile el edificio, cuarto u otro espacio cerrado donde se haya usado el calentador antes de ingresar. Nunca lo use en un vehículo, casa rodante o tienda.

**▲ ADVERTENCIA:**

No apto para usar en el hogar o en un vehículo recreativo. No lo use para cocinar o calentar comida.

**▲ ADVERTENCIA:**

Peligro de incendio, quemaduras, inhalación y explosión. Mantenga los combustibles sólidos como materiales de construcción, papel o cartón a una distancia segura del calentador tal como lo recomiendan las instrucciones. Nunca use el calentador en espacios que contienen o podrían contener combustibles volátiles o productos como gasolina, solventes, diluyente de pintura o productos químicos desconocidos.

**▲ ADVERTENCIA: PELIGRO DE INCENDIO O EXPLOSIÓN**

- No use gasolina, nafta o combustibles volátiles.
- Apague el calentador antes de agregarle combustible.
- Siempre cargue combustible en el exterior, lejos del fuego.
- No use una fuente externa de combustible.
- No use el calentador donde pudiera haber líquidos o vapores inflamables.
- No encienda el calentador con la cámara caliente.
- No encienda el calentador si se ha acumulado exceso de combustible en la cámara.

**▲ ADVERTENCIA:**

Uno de los elementos generados por la combustión al usar este equipo es monóxido de carbono, un producto químico que de acuerdo con el Estado de California produce cáncer y defectos de nacimiento (u otros daños reproductivos).

Este producto contiene productos químicos que de acuerdo con el Estado de California producen cáncer y defectos de nacimiento u otros daños reproductivos.

**▲ ADVERTENCIA: PELIGRO DE DESCARGA ELÉCTRICA**

- Enchufe el cable de alimentación en un tomacorriente de 3 cables con conexión a tierra.
- No lo use en lugares mojados o húmedos.

# ÍNDICE

ADVERTENCIAS..... 2-3  
 ESPECIFICACIONES DEL CALENTADOR .....3  
 PRECAUCIONES DE UTILIZACIÓN .....4  
 PRECAUCIONES DE SEGURIDAD .....4  
 INSTRUCCIONES DE OPERACIÓN..... 4-5  
 MANTENIMIENTO, ALMACENAMIENTO Y SERVICIO ..... 5-7  
 DIAGRAMA DE CABLEADO .....7  
 SOLUCIÓN DE PROBLEMAS.....8  
 LISTA DE PARTES/DIAGRAMAS EXTENDIDOS..... 9-11  
 GARANTÍA .....12  
 INSTRUCCIONES PARA ORDENAR PARTES.....12

## ¡ ADVERTENCIA: PELIGRO DE INCENDIO O EXPLOSIÓN

- No almacene ni utilice gasolina ni ningún otro vapor ni líquido inflamable cerca de este ni de ningún otro artefacto.
- **QUÉ HACER SI DETECTA OLOR A GAS:**
  - Abrir las ventanas.
  - **NO** intentar encender ningún artefacto.
  - **NO** active ningún interruptor eléctrico.
  - **NO** usar ningún teléfono en el edificio. Llamar inmediatamente a la compañía local de gas desde un teléfono en el exterior. Seguir las instrucciones de la compañía de gas.
  - **NO** tocar ningún interruptor eléctrico; no usar ningún teléfono en el edificio.
  - Si no se puede comunicar con la compañía de gas, llame a los bomberos.

## Especificaciones

**CUIDADO: CSA certificado para usar únicamente con combustible queroseno No. 1-K.**  
**Fábrica Probado: No.2-K querosén, N ° 1 o N ° 2 diesel, fuel oil N ° 1 o N ° 2 o JP8 Jet Un combustible**

Modelo	<b>DXH135HD</b>	<b>DXH190HD</b>	<b>DXH215HD</b>
Calor generado:	39,5 kW (135,000 Btu/h)	55,6 kW (190,000 Btu/h)	62,9 kW (215,000 Btu/h)
Consumo de combustible:	3,8 L/h (1,0 gal/h)	5,3 L/h (1,4 gal/h)	6,1 L/h (1,61 gal/h)
Alimentación:	115 V, 60 Hz, 5,5 A	115 V, 60 Hz, 5,5 A	115 V, 60 Hz, 5,5 A
Protección de línea:	20 A	20 A	20 A
Voltaje mín. de funcionamiento:	110 V	110 V	110 V
Ajuste de presión:	47 kPa (6,8 psig)	51,7 kPa (7,5 psig)	57,9 kPa (8,4 psig)
Temperatura máx. de salida:	787 °C (1450 °F)	787 °C (1450 °F)	787 °C (1450 °F)
Capacidad del tanque de combustible:	53 L (14 galones)	53 L (14 galones)	53 L (14 galones)
Ignición:	Chispa directa, continua	Chispa directa, continua	Chispa directa, continua
Generador de chispa:	Encendedor, 13 kV, 10 mA	Encendedor, 13 kV, 10 mA	Encendedor, 13 kV, 10 mA
Control primario de seguridad:	Control de estado sólido	Control de estado sólido	Control de estado sólido
Certificación:	uCSAc	uCSAc	uCSAc

## Precauciones de utilización

### ▲ ADVERTENCIA

Este calentador es un calentador a queroseno de caldeo directo a aire forzado. Está diseñado principalmente para el calentamiento de edificios en construcción, remodelación o reparación.

De caldeo directo quiere decir que todos los productos de la combustión ingresan al espacio calentado.

Aunque este calentador funciona casi a un 100% de eficiencia de combustión, produce pequeñas cantidades de monóxido de carbono. El monóxido de carbono (CO) es tóxico. El CO puede acumularse en el lugar que se calienta y si no se establecen las condiciones de ventilación adecuadas puede resultar mortal. Los síntomas de ventilación inadecuada son:

- dolor de cabeza
- mareos
- ardor en los ojos y en la nariz
- náuseas
- boca reseca o dolor de garganta

Asegúrese de seguir las recomendaciones de ventilación de la sección de Precauciones de seguridad.

Aire forzado significa que un soplador o ventilador impulsa el aire a través del calentador. La combustión depende de este flujo de aire para realizarse correctamente, por lo tanto, el calentador no debe modificarse, alterarse o utilizarse si se le han sustraido o le faltan partes. Asimismo, no se deben alterar ni modificar los sistemas de seguridad para utilizar el calentador.

Cuando deba utilizarse el calentador en presencia de otras personas, el usuario será responsable de poner a los presentes al corriente de las precauciones e instrucciones de seguridad, y de los posibles peligros.

## Recomendaciones de seguridad

### ▲ ADVERTENCIA

1. Certificado para usar con combustible queroseno No. 1-K. Probado en fábrica para usar con queroseno No. 2-K, diesel No. 1 o No. 2, aceite combustible No. 1 o No. 2 o combustible JP8 Jet A. No use nunca gasolina, aceite drenado de motores, nafta, removedor de pintura, alcohol o cualquier otro combustible altamente inflamable. **Sólo querosene tienda en contenedores marcados Kerosene o queroseno.**
2. Revise cuidadosamente si el calentador presenta daños. NO opere un calentador dañado.
3. NO modifique el calentador ni opere un calentador cuya configuración original haya sido modificada.
4. Adecuado para uso en exteriores. Ya sea para uso al aire libre o en interiores donde exista ventilación adecuada. Nunca use en áreas normalmente para ser habitado. No lo use donde esté expuesto a la intemperie.

5. Usar en lugares bien ventilados, proporcionar al menos una abertura de 0,19 m<sup>2</sup> (2 pies<sup>2</sup>) cerca del piso y de 0,19 m<sup>2</sup> (2 pies<sup>2</sup>) cerca del techo directamente hacia el exterior. Aumente las aberturas de aire como se indica para cada calentador adicional.
6. Mantenga siempre el combustible como papel y madera a una distancia de al menos 2,4 m (8 pies) de la salida del calentador y a 1 m (3 pies) de la parte de arriba, los costados y la entrada. Colóquelo a 3 m (10 pies) de lonas o cubiertas plásticas y asegúrelas para evitar que flameen.
7. Atención: Dadas las elevadas temperaturas de la superficie y del escape, tanto los adultos como los niños deben mantener la distancia adecuada para evitar quemaduras o la ignición de su ropa. No lo toque. Mantenga a los niños, la ropa y los combustibles alejados.
8. Instale el calentador de forma tal que no esté directamente expuesto al rocío, lluvia y/o agua.
9. Nunca lo use en lugares con gente y/o en lugares donde podría haber niños.
10. Úselo únicamente sobre una superficie nivelada y estable.
11. No utilizar en redes de conductos. No restringir la entrada ni la salida.
12. Utilice únicamente la alimentación eléctrica especificada. La conexión eléctrica y a tierra debe cumplir con los requisitos del Código Eléctrico Nacional - ANSI/NFPA 70 (EE.UU.) y del Código Eléctrico Canadiense CSA C22. 1, Primera parte (Canadá).
13. Utilice únicamente un receptáculo o un cable de extensión de tres patas correctamente conectado a tierra.
14. No lo mueva, toque o repare mientras esté caliente o en funcionamiento.
15. Úselo únicamente de acuerdo con los requisitos, ordenanzas y normas locales, estatales (provinciales) o nacionales.
16. Jaula de estas unidades es sólo para la protección de los calentadores. No se pare ni se siente sobre el calentador. No utilice el marco alrededor de la unidad, como una mesa, vio a caballo.
17. La caja de almacenamiento montado bajo el cañón de estas unidades está destinado para el almacenamiento de artículos que no son sensibles al calor. Por favor, utilice la caja de almacenamiento sólo para piezas pequeñas, guantes de repuesto, herramientas manuales pequeñas, etc.

## Instrucciones de operación

### DESEMPACADO

### ▲ CUIDADO: Unidad pesada, no intente levantarla sin ayuda.

1. Saque el calentador de la caja.
2. Saque todo el material de protección que pudiera tener el calentador para su transporte.
3. Revise el calentador para determinar si sufrió daños durante el envío. Si encuentra algún daño, llame inmediatamente al fabricante al 855-805-5745.

**ARMADO** (para los modelos de 135.000, 190.000 y 215.000 BTU/h únicamente, ver figura 1, página 9).

Las ruedas y manijas se encuentran en la caja de envío junto con los accesorios de montaje. Las ruedas, eje y accesorios de montaje están en el paquete. Las herramientas necesarias son una llave tubo de 5/16", una llave fija o ajustable de 3/8" y una pinza común.

1. Coloque las ruedas sobre los soportes como se indica.
  - a. Instale una de las chavetas en el orificio de un extremo del eje.
  - b. Deslice la arandela grande, luego la rueda en el eje junto a la chaveta.
  - c. Deslice el espaciador en el eje junto a la rueda.
  - d. Deslice el eje parcialmente armado por el bastidor de soporte de la rueda.
  - e. Deslice el espaciador en el eje junto al soporte de la rueda.
  - f. Deslice la rueda y luego la arandela grande en el eje y sosténgalas en su lugar con la otra chaveta.
- g. Instale las tapas sobre las arandelas grandes para terminar con la instalación de las ruedas.
2. Coloque el calentador en el bastidor de soporte de las ruedas con la salida en sentido opuesto a las ruedas.
3. Use ocho tornillos y tuercas para fijar las manijas en la parte de arriba del borde del tanque. Los tornillos pasan a través de las manijas, el borde del tanque y el bastidor de soporte de las ruedas. Instale las tuercas y ajústelas con la mano solamente hasta que todas las tuercas estén colocadas.
4. Ajuste todas las tuercas.
5. Coloque el soporte de la barra transversal en la manija vertical de adelante y de atrás con tornillos y ajústelos.
6. Conecte pano protector con tornillos. (Canadiense)

## PREPARATIVOS PARA OPERACIÓN

1. Revise el calentador para determinar si sufrió daños durante el envío. Si encuentra algún daño, llame inmediatamente al fabricante al 855-805-5745.
2. Siga todas las "Precauciones".
3. Llene el tanque de combustible con queroseno limpio. En temperaturas extremadamente frías, puede aparecer condensación en el tanque y le recomendamos agregar una cucharada de descongelante en el tanque por cada 4 litros (1 galón) de combustible. Al llenar el calentador, agregue por lo menos 8 litros (2 galones) de combustible. Verifique que el calentador esté nivelado y no lo llene de más. Use un embudo o una lata con un pico largo para llenarlo.

**AVISO: Antes de llenar el tanque de combustible por primera vez o luego de mucho tiempo de almacenamiento, drene toda la humedad y condensación el tanque de combustible.**

4. Coloque el calentador a una distancia segura de materiales inflamables.

## ENCENDIDO DEL CALENTADOR

1. Gire el termostato al mínimo, verifique que la llave "ON/OFF" esté en la posición "OFF". Enchufe el calentador en un tomacorriente monofásico de 115 V, 60 Hz. Gire el termostato a una temperatura más alta. Encienda el calentador presionando la llave hacia la posición "ON" (la luz indica que la llave está en la posición "ON"). Coloque el termostato en la posición deseada. El calentador se encenderá/apagará (on/off) de acuerdo al calor necesario.

**REQUISITOS DEL CABLE DE EXTENSIÓN:** Use conductores calibre 16 hasta 30.5 m (100 pies). Use conductores calibre 14 hasta de 30.5 a 61 m (101 a 200 pies).

### Para todos los modelos:

- En climas fríos (por debajo de -12 °C), el encendido se puede mejorar poniendo un dedo sobre el agujero del ventilación del tornillo de ajuste de la bomba hasta que el calentador se encienda.
- Esta unidad está equipada con un circuito interruptor. El reinicio está integrado en la llave "ON/OFF". Si la unidad no se enciende, coloque la llave en "OFF", espere 5 minutos y mueva la llave a "ON".

## APAGADO DEL CALENTADOR

Coloque la llave "ON/OFF" en la posición "OFF". Para apagados extendidos, desenchufe el calentador del tomacorriente.

## VOLVER A ENCENDERLO LUEGO DE UN APAGADO DE SEGURIDAD

Coloque la llave "ON/OFF" en la posición "OFF", espere 5 minutos. Vuelva a encenderlo.

## Mantenimiento y almacenamiento

**ADVERTENCIA:** Para evitar heridas personales, desenchufe el calentador del tomacorriente antes de realizarle todo tipo de servicio.

Para mayor eficiencia y un servicio sin problemas, realice el siguiente mantenimiento periódico, limpieza e inspecciones.

## AJUSTE DE LA PRESIÓN DE LA BOMBA

Debido a la variación de viscosidad del combustible y al desgaste normal de los componentes, puede ser necesario ajustar la presión de la bomba de este calentador. El calentador debe funcionar únicamente con el ajuste del quemador recomendado por el fabricante.

Ajuste de la presión del tornillo

(situado en la parte trasera del calentador)



### PROCEDIMIENTO DE AJUSTE:

1. Llene el tanque de combustible.
2. Encienda el calentador.
3. Repérez la vis du régulateur de pression de combustible (n° 26 de la vue éclatée). El tornillo de ajuste de presión es localizado en el reverso del calentador, en el filtro de aire que aloja (tourillon de ajuste ranurado aproximadamente a las 10 posición.
4. El enchufe directamente bajo el tornillo de ajuste puede ser quitado para la instalación de un manómetro. Esto noes un segundo tornillo de ajuste.
5. À l'aide d'un tournevis plat, serrez la vis pour augmenter la pression ou desserrez-la pour réduire la pression. Les pressions nominales sont indiquées dans le tableau des spécifications à la page 3 du Guide d'utilisation et instructions de fonctionnement.
6. Pour une efficacité maximale, le cône avant de la chambre de combustion doit être rouge cerise sans présenter de taches foncées, et la flamme ne doit pas se prolonger au-delà du cône.

### AJUSTE INADECUADO DE LA PRESIÓN

**Problema:** El calentador no tiene una llama fuerte y pareja.

El calentador hace humo y salpica combustible sin quemar.

El cono de la boquilla no llega a ponerse rojo cereza.

**Ajuste:** La presión de la bomba es muy baja.

Gire el tornillo de ajuste en sentido horario para aumentar la presión de la bomba.

**Problema:** La llama se extiende más allá del final del calentador.

**Ajuste:** La presión de la bomba es muy alta.

Gire el tornillo de ajuste en sentido contra horario para disminuir la presión de la bomba.

## Programa de mantenimiento diario

1. GENERAL. Haga una inspección visual general del calentador para detectar partes flojas o dañadas. Revise que las tuercas y los tornillos no se hayan aflojado debido a la vibración o los malos tratos. Las partes dañadas deben ser reparadas o reemplazadas antes de volver a usar el calentador. Controle el funcionamiento del calentador para asegurarse de que esté funcionando normalmente (consulte la sección "Servicio" por una descripción del funcionamiento normal).
2. FILTROS. Los filtros de aire o de combustible sucios causarían un desequilibrio en la mezcla de aire-combustible. El mejor indicador de que esto está ocurriendo es un aumento del olor o la dificultad en encender el calentador. Nunca debe usar este calentador sin los filtros colocados en su lugar. Si es necesario, limpie los filtros como se indica en "500 horas" y "Programa anual".

## Programa de mantenimiento de 500 horas

1. FILTRO DE ENTRADA DE AIRE. Saque y lave el elemento del filtro con un detergente suave, séquelo bien y vuelva a colocarlo. No le ponga aceite al filtro. Si usa su calefactor en un lugar con mucho polvo o suciedad, límpielo cuando sea necesario (aproximadamente cada 50 horas).
2. REMOVER EL POLVO. Limpie el calentador dos veces por temporada (más seguido en lugares con mucho polvo). Saque el polvo acumulado del transformador, quemador, motor y aspas del ventilador con aire comprimido. Repase el área con un trapo limpio y seco.  
Inspeccione el área para verificar que no quede ningún material extraño, especialmente por el quemador y la cámara de combustión.
3. CÉLULA FOTOELÉCTRICA. Limpie la parte de vidrio de la célula fotoeléctrica con un trapo suave y seco.

4. **BOQUILLA.** La acumulación de suciedad del combustible y el carbón de las aspas del compresor eventualmente bloquearán la boquilla, reduciendo al flujo de combustible y de aire. Aumentará gradualmente la presión, provocando una mezcla inapropiada de combustible-aire y produciendo olor y humo excesivos. Si le pasa eso, reemplace la boquilla del combustible.
5. **TANQUE DE COMBUSTIBLE.** Limpie los dos veces por temporada (durante períodos de uso frecuente limpie los dos veces por mes). Drene y enjuague el tanque de combustible con aceite combustible limpio.

### Programa de mantenimiento anual

1. **FILTRO DE SALIDA DE AIRE.** Saque el filtro de salida de aire y golpee suavemente el lado contaminado contra un objeto sólido para limpiarlo. No debe usar aire comprimido ni líquidos para limpiar este filtro. Vuelva a instalar el filtro limpio en el compartimiento, en la misma posición en que estaba cuando lo sacó. Si el filtro está muy sucio, reemplácelo por otro filtro del mismo tipo. Al volver a colocar la cubierta del filtro, verifique que la junta esté firmemente colocada en su lugar y que los tornillos de la cubierta del filtro estén ajustados para evitar pérdidas de aire.
2. **FILTRO DE COMBUSTIBLE.** Saque el filtro de combustible de la línea de combustible y haga pasar aire comprimido por el mismo en la dirección contraria al flujo de combustible. Debe usar gafas protectoras cuando use aire comprimido.
3. **LÍNEAS DE AIRE Y DE COMBUSTIBLE.** Si se sacan las líneas de aire o de combustible durante la limpieza, asegúrese de ajustar todas las conexiones antes de volver a usar la unidad.

### ALMACENAMIENTO

Guarde el calentador en un lugar seco, lejos de vapores o polvo.

Al final de cada temporada de calefacción, limpie el calentador como se describe en la sección **MANTENIMIENTO**. Drene y enjuague el tanque de combustible con combustible limpio. El fabricante recomienda llenar completamente el tanque con combustible al guardarlo por mucho tiempo para minimizar la condensación dentro del tanque.

### REPARACIÓN

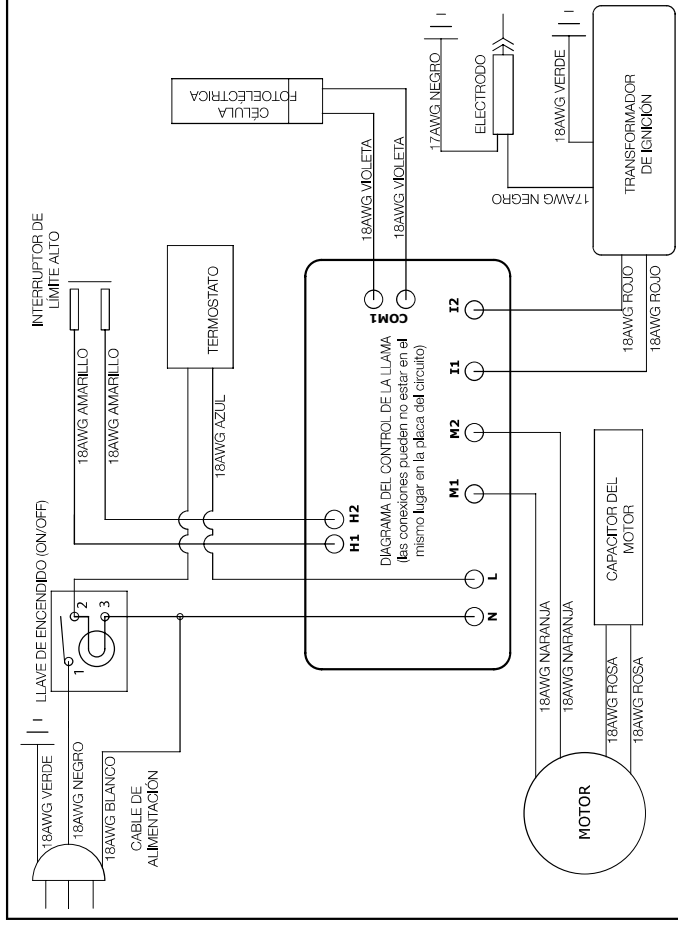
#### ADVERTENCIA

Se puede producir una situación de riesgo si se utiliza un calentador cuya configuración original haya sido modificada o si no está funcionando correctamente.

- Cuando el calentador funciona normalmente:
- \* La llama arde en el interior del calentador.
  - \* La llama es esencialmente amarilla.

- \* No se percibe un olor desagradable fuerte, no arden los ojos y no hay ningún otro tipo de incomodidad física.
- \* No hay humo ni hollín dentro ni fuera del calentador.
- \* El calentador no se apaga inesperadamente o inexplicablemente.

### Diagrama de cableado



Apague inmediatamente y no use un calentador que no esté funcionando normalmente. No intente volver a encender y usar el calentador hasta que haya sido reparado por personal técnico capacitado.

Las listas de partes y el diagrama de cableado muestran la configuración original del calentador. No utilice un calentador que sea diferente del que se muestra. El rendimiento del calentador se ve afectado por el ajuste de la presión de aire. Si hay alguna duda acerca del ajuste de la presión de aire, haga que lo revisen.

Si un calentador no funciona correctamente debe ser reparado, pero solo por un técnico de mantenimiento capacitado y experimentado.

## Diagnóstico, apagado de seguridad y resolución de problemas

Estas instrucciones son para DXH135HD, DXH190HD, DXH215HD.

SÍNTOMA	SOLUCIÓN DEL PROBLEMA
El interruptor de límite alto está abierto Hay chispas, aparecen las llamas pero el motor no se mueve o se mueve muy despacio	<ol style="list-style-type: none"> <li>1) Verifique que el calentador esté frío, mueva el interruptor a la posición "O", espere 5 minutos y vuelva a intentarlo.</li> <li>1) Revise los cables del motor (de acuerdo con el diagrama de cableado de este manual).</li> <li>2) Verifique que el tapón del medidor de presión esté colocado y que no esté dañado.</li> <li>3) Ajuste la presión para que el calentador funcione correctamente, como se indica en el manual.</li> <li>4) Con el calentador desconectado de la fuente de CA, gire el ventilador en sentido horario para verificar que no esté atascado.</li> <li>5) Saque la cubierta del filtro de aire del motor y revise que el rotor de la bomba no esté dañado. Si está dañado, reemplace el mecanismo del rotor.</li> <li>6) Si el cableado es correcto, el rotor de la bomba está bien y el motor no rota libremente, reemplace el motor o el mecanismo de potencia.</li> <li>7) Si el problema persiste, reemplace el mecanismo de control de la llama.</li> <li>8) Verifique que salten chispas desde el electrodo hacia el cilindro de combustión.</li> <li>9) Verifique la continuidad de la célula fotoeléctrica.</li> </ol>
No hay chispa	<ol style="list-style-type: none"> <li>1) Verifique el largo y el calibre del cable de extensión para el consumo adecuado. (Vea los requisitos en la pág. 5).</li> <li>2) Revise los cables del encendedor (de acuerdo con el diagrama de cableado de este manual).</li> <li>3) Revise la separación entre las puntas del electrodo (2,3 - 3 mm).</li> <li>4) Si aún no hay chispa, reemplace el mecanismo del encendedor.</li> </ol>
Funcionamiento anormal del motor - El motor se recalienta o se para	<ol style="list-style-type: none"> <li>1) Velocidad del motor muy lenta (el motor debe funcionar a 3450 rpm, excepto en el 50K a 1550 rpm) - Reemplace el motor.</li> <li>2) Con el calentador desconectado de la fuente de CA, gire el ventilador en sentido horario para verificar que no esté atascado.</li> <li>3) Saque la cubierta del filtro de aire del motor y revise que el rotor de la bomba no esté dañado. Si está dañado, reemplace el mecanismo del rotor.</li> <li>4) Si el cableado es correcto, el rotor de la bomba está bien y el motor no rota libremente, reemplace el motor o el mecanismo de potencia.</li> </ol>
No se detecta la llama	<ol style="list-style-type: none"> <li>1) Revise los cables de la célula fotoeléctrica (de acuerdo con el diagrama de cableado de este manual).</li> <li>2) Limpie la célula fotoeléctrica.             <ol style="list-style-type: none"> <li>a) Saque la célula fotoeléctrica de su soporte.</li> <li>b) Empuje la célula fotoeléctrica fuera del recipiente negro de goma empujando los dos cables violeta.</li> <li>c) Limpie la célula fotoeléctrica con un trapo suave y alcohol fino.</li> <li>d) Vuelva a colocar la célula fotoeléctrica en su recipiente y vuelva a instalarla en el soporte.</li> <li>e) Pruebe el calentador.</li> </ol> </li> <li>3) Si el calentador todavía no funciona, reemplace la célula fotoeléctrica.</li> </ol>
Falla del control de la llama	<ol style="list-style-type: none"> <li>1) Revise los cables del calentador (de acuerdo con el diagrama de cableado de este manual).</li> <li>2) Reemplace el mecanismo de control de la llama.</li> </ol>



**Lista de partes del mango y de las ruedas**

REF.	DXH135HD	DXH190HD	DXH215HD	Descripción
1	40856	27114	40856	Mango Frontal
2	40857	27103	40857	Mango posterior
3	40858	27103	40858	Mango transversal (2)
4	21875	27103	21875	Bastidor de soporte de las ruedas
5	22190	22190	22190	Eje
6	40940	40940	40940	Mecanismo de las ruedas
7	28749	28749	28749	Mecanismo de las ruedas
8	28750	28750	28750	Chaveta
9	28751	28751	28751	Tapa del cubo
10	21897	21897	21897	Espaciador de rueda
*	28787	28787	28787	Juego de accesorios
11**	21908	21909	21909	Pano protector

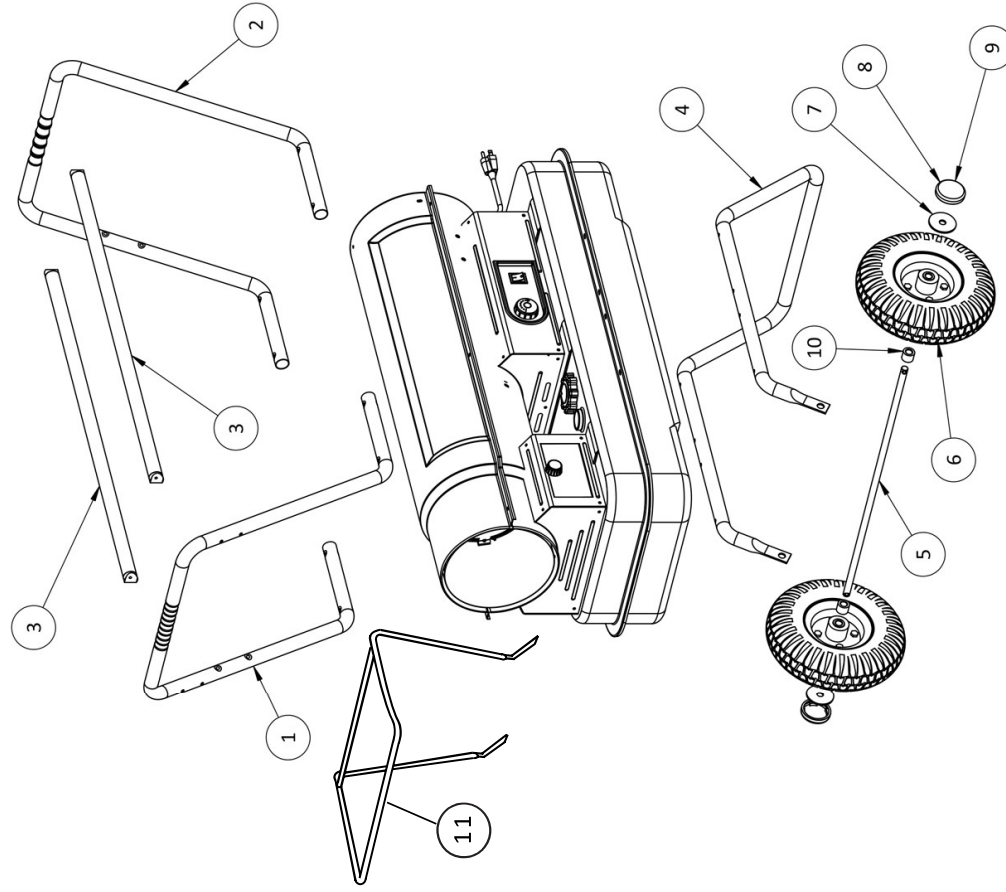
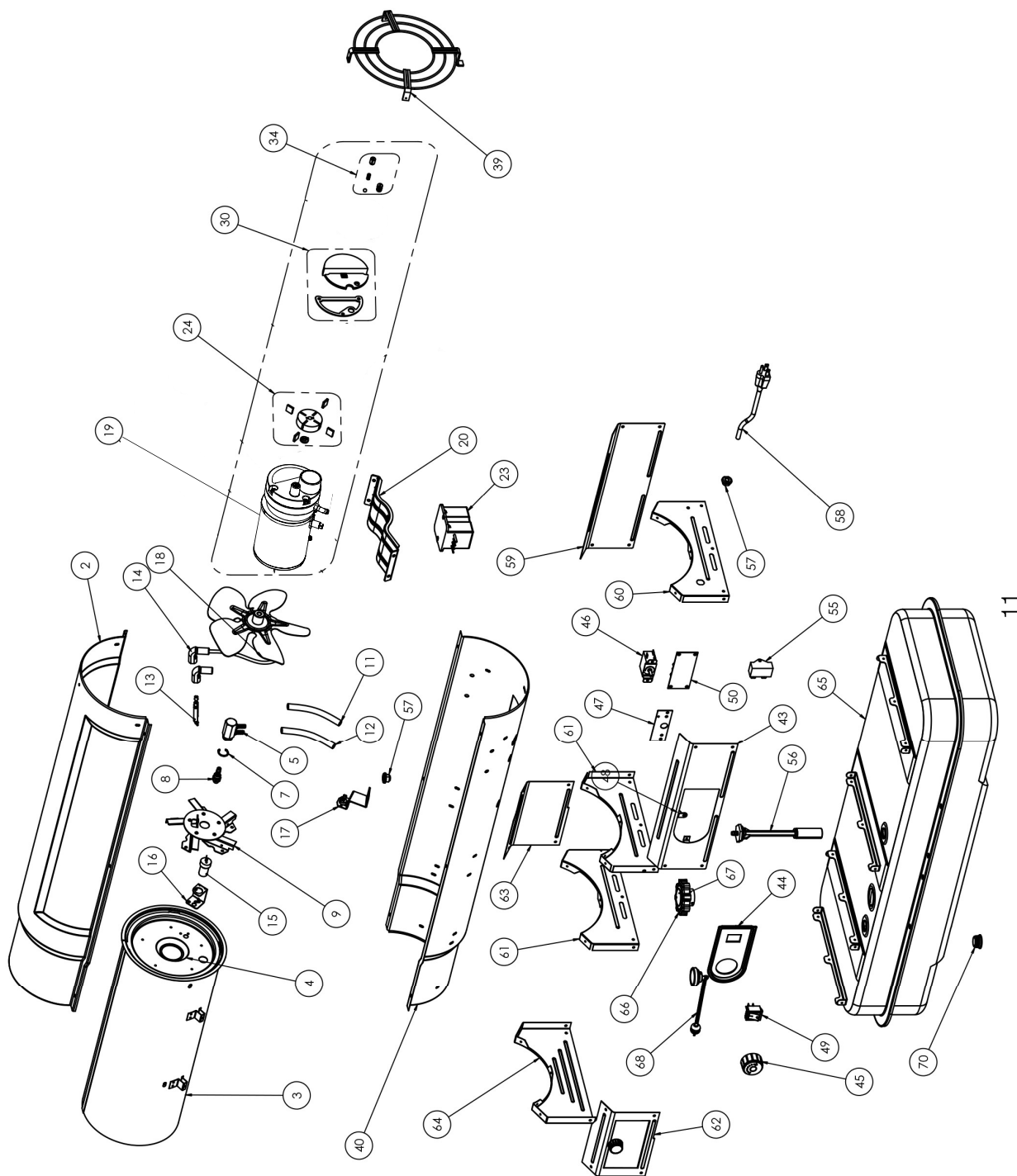
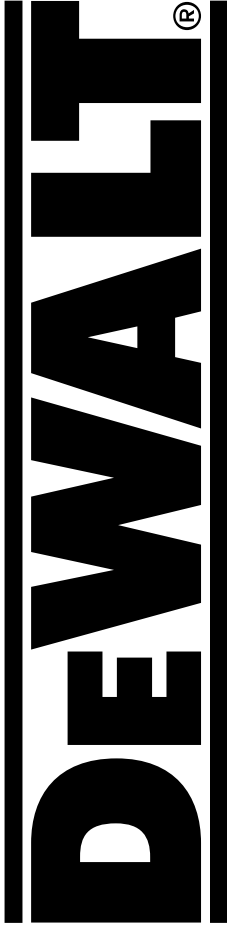


Figure 1.

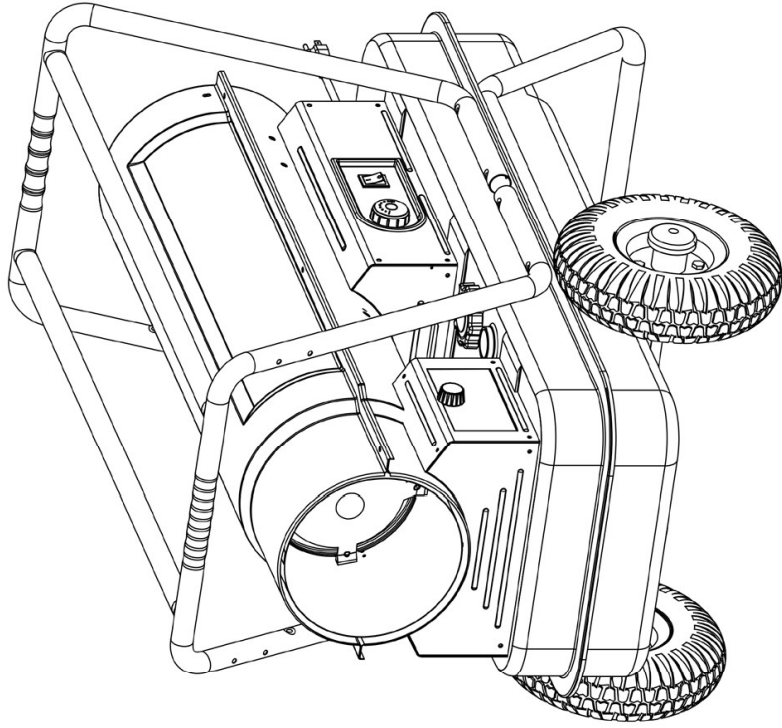






## MANUAL DE INSTRUCCIONES

Calentador de aire forzado a queroseno  
DXH135HD, DXH190HD, DXH215HD



### Advertencia:

Use solamente partes de repuesto del fabricante. El uso de cualquier otra parte podría causar heridas o la muerte. Las partes de repuesto están disponibles únicamente en la fábrica y deben ser instaladas por una agencia de servicio calificada.

### INFORMACIÓN PARA ORDENAR PARTES:

**COMPRAS:** Puede comprar accesorios en cualquier distribuidor local de DeWalt® o directamente de la fábrica.

### POR INFORMACIÓN ACERCA DE SERVICIO:

Llame sin cargo al 855-805-5745

[www.dewalt.com](http://www.dewalt.com)

Nuestro horario de trabajo es de 8:00 AM a 5:00 PM, de lunes a viernes, hora del este.

Por favor, incluya el número de modelo, la fecha de compra y la descripción del problema en todas sus comunicaciones

### GARANTÍA LIMITADA:

DeWalt® garantiza la calidad material y la factura de sus calefactores y sus accesorios por un período de 1 año a partir de la fecha de compra. DeWalt® reparará o reemplazará este producto sin cargo si se encuentra defectuoso dentro del período de 1 año, luego de retornarlo (por cuenta del cliente) junto con un comprobante de compra a DeWalt® dentro del período de garantía.



UL-733, CSA B140.8, CSA  
B140.9.3