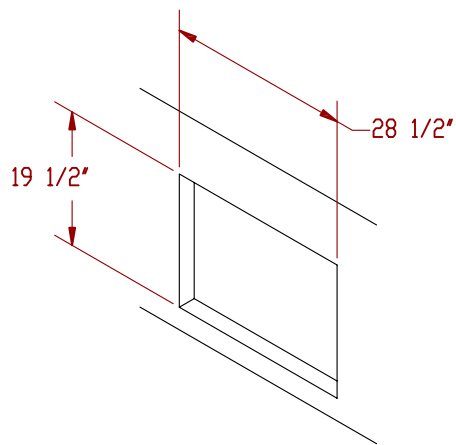
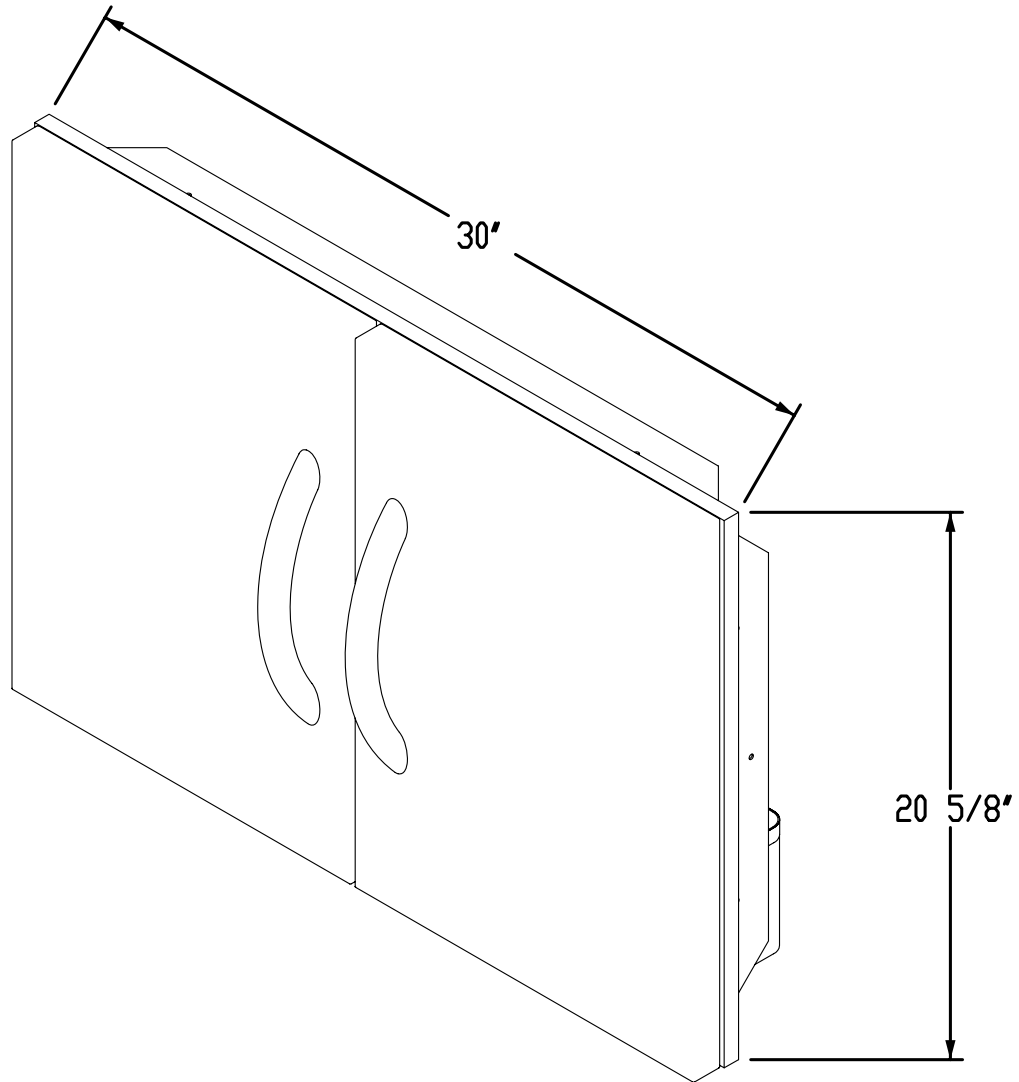


BARBECUE LINE  
30" DOUBLE ACCESS DOORS



CUT-OUT  
DIMENSIONS

NOTE:  
DUE TO OUR CONTINUOUS IMPROVEMENT PROGRAM, ALL  
MODELS AND SPECIFICATIONS ARE SUBJECT TO CHANGE  
WITHOUT NOTICE.

SCALE: NTS



TITLE 2011 BARBECUE LINE DOORS & DRAWERS 30" DOUBLE ACCESS DOORS	
DWG NO. BBQ10839P-30	DWG BY N. GALASSO
DATE 12/29/10	REVISED