



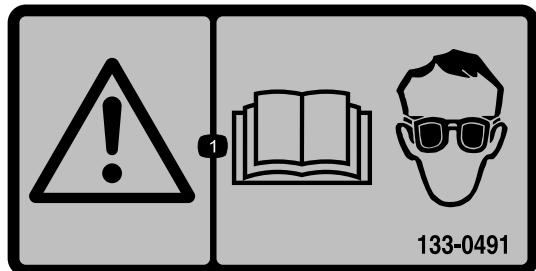
# Gutter Cleaner Kit

Ultra/UltraPlus/Super Blower/Vacuum, or Rake and Vac™  
Blower/Vacuum

Model No. 51668

## Installation Instructions

Read the *Operator's Manual* and follow all safety instructions.



133-0491

decal133-0491

1. Read the *Operator's Manual*; wear eye protection.

## Installing the Extension Tube Assembly

### On Toro Axial Blowers

1. Shut off the machine and disconnect any power source.
2. Remove the blower tube so that the collar can connect directly to the blower outlet (Figure 2).
3. Slide the collar over the outlet and secure it by tightening the connection strap.

Use the small collar for 3 to 4 inch (7.6 to 10.2 cm) diameter outlets, use the large collar for 4 to 5 inch (10.2 to 12.7 cm) diameter outlets.

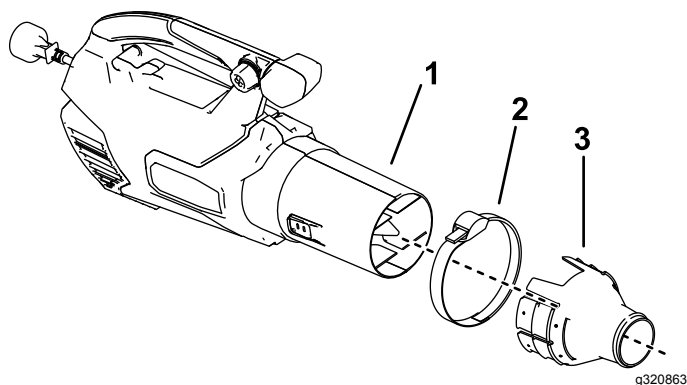


Figure 2

1. Blower housing outlet
2. Universal connection strap
3. Large universal connection collar

4. Install the flex tube and extension tubes to the collar as shown in C and E of Figure 3.

## Installing the Extension Tube Assembly

### On Toro Blower Vacs

**Important:** Tighten each extension tube over the bumps at the end of the threads.

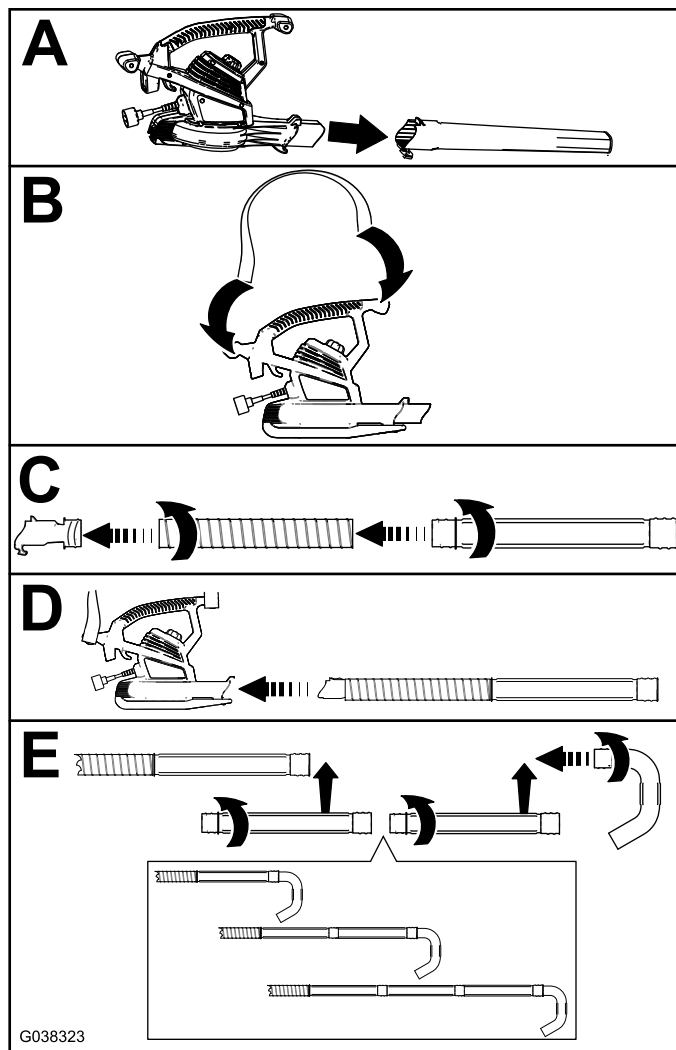


Figure 3



# Operating the Kit

Read the *Operator's Manual* and follow all safety instructions before operating the blower.

**Important:** Do not wear loose clothing that could get caught in the blower.

1. Hold the tube assembly with both hands, keeping the blower against your hips, the nozzle facing outward, and the inlet facing the ground (Figure 4).

**Important:** Do not overreach when using the kit; always keep both feet on the ground.

2. Move the nozzle along the gutter to blow leaves and other debris out of the gutter.

**Important:** Always wear eye protection when operating the kit.

**Important:** Do not block the nozzle, as this could damage the motor.

**Note:** The attachment sways slightly when you turn on the blower.

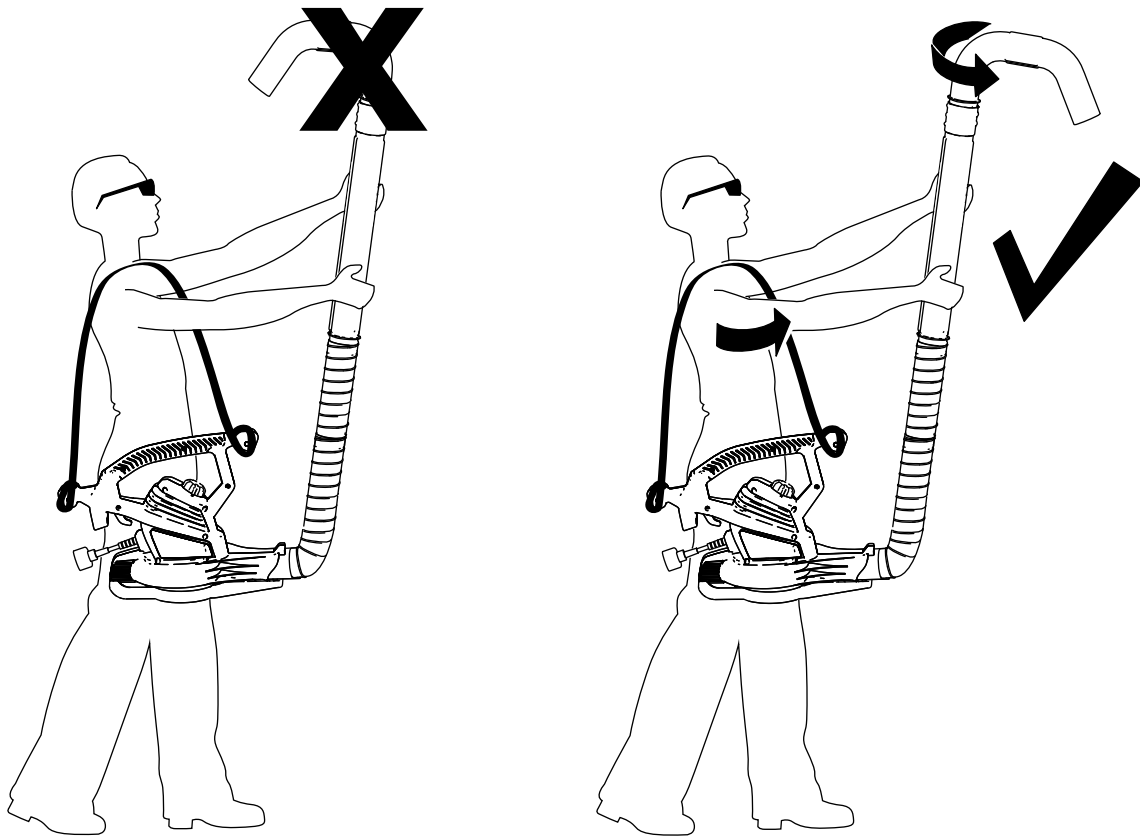


Figure 4

g321002

---

**Note:** Tighten or loosen the end nozzle to point the outlet away from you.

## EEA/UK Privacy Notice

### **Toro's Use of Your Personal Information**

The Toro Company ("Toro") respects your privacy. When you purchase our products, we may collect certain personal information about you, either directly from you or through your local Toro company or dealer. Toro uses this information to fulfil contractual obligations - such as to register your warranty, process your warranty claim or to contact you in the event of a product recall - and for legitimate business purposes - such as to gauge customer satisfaction, improve our products or provide you with product information which may be of interest. Toro may share your information with our subsidiaries, affiliates, dealers or other business partners in connection these activities. We may also disclose personal information when required by law or in connection with the sale, purchase or merger of a business. We will never sell your personal information to any other company for marketing purposes.

### **Retention of your Personal Information**

Toro will keep your personal information as long as it is relevant for the above purposes and in accordance with legal requirements. For more information about applicable retention periods please contact [legal@toro.com](mailto:legal@toro.com).

### **Toro's Commitment to Security**

Your personal information may be processed in the US or another country which may have less strict data protection laws than your country of residence. Whenever we transfer your information outside of your country of residence, we will take legally required steps to ensure that appropriate safeguards are in place to protect your information and to make sure it is treated securely.

### **Access and Correction**

You may have the right to correct or review your personal data, or object to or restrict the processing of your data. To do so, please contact us by email at [legal@toro.com](mailto:legal@toro.com). If you have concerns about the way in which Toro has handled your information, we encourage you to raise this directly with us. Please note that European residents have the right to complain to your Data Protection Authority.



**Count on it.**