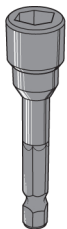
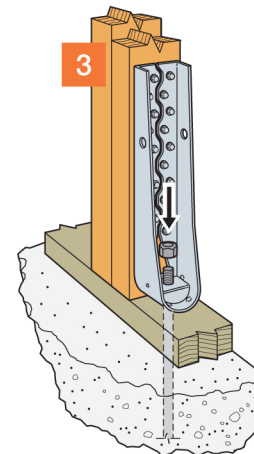
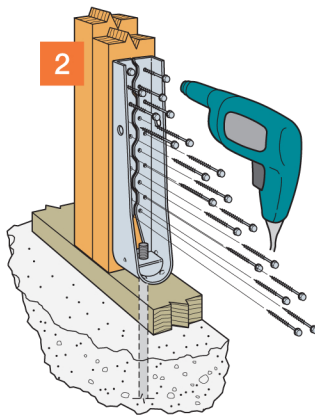
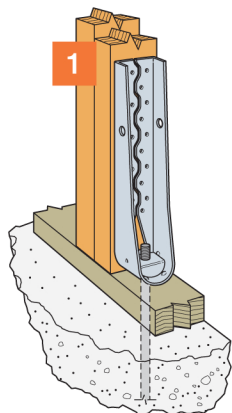
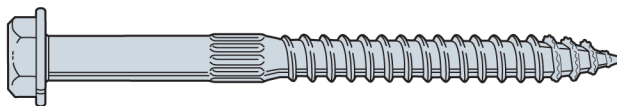


# HDU



Use  $\frac{3}{8}$ " driver.

Use un  
destornillador  
de  $\frac{3}{8}$ ".



$\frac{1}{4}$ " x  $2\frac{1}{2}$ " Strong-Drive®  
SDS HEAVY-DUTY  
CONNECTOR Screw  
(Included / Incluida)