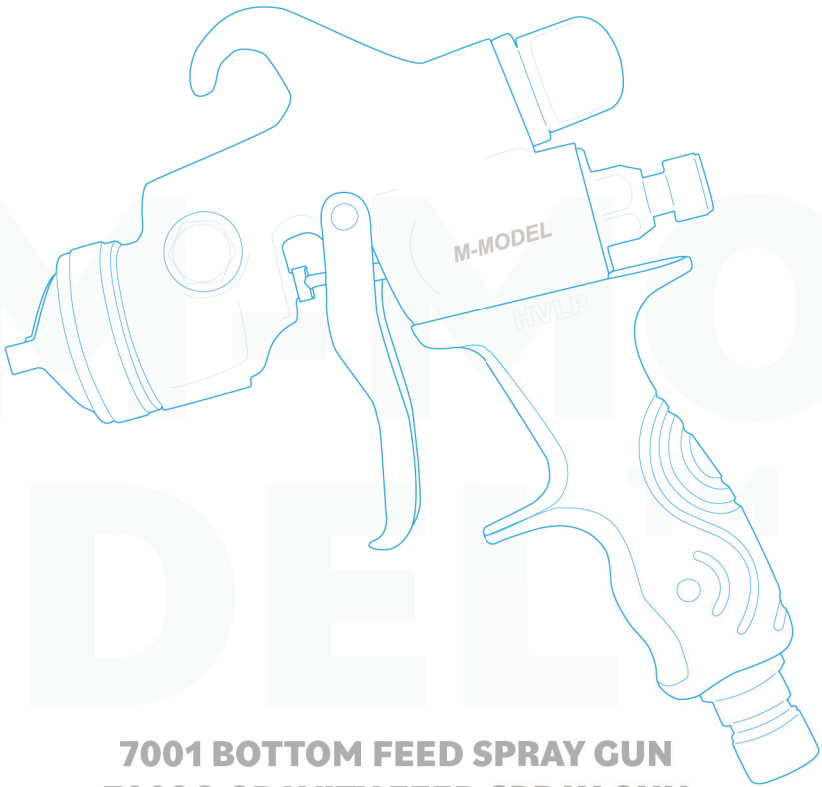


# USER MANUAL



**7001 BOTTOM FEED SPRAY GUN**  
**7002G GRAVITY FEED SPRAY GUN**  
**7003 BOTTOM FEED SPRAY GUN**

THE PERFECT FINISH STARTS WITH

**FUJISPRAY<sup>®</sup>**  
**SYSTEMS**

# CONTENTS

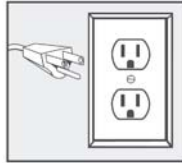
Contents . . . . .	1
Safety Precautions . . . . .	2 - 4
Getting Started. . . . .	5
Spray Pattern . . . . .	6
Spraying Technique . . . . .	7
Aircap Selection . . . . .	8
Viscosity Guide . . . . .	9
Latex Paint . . . . .	10
General Cleaning . . . . .	11
Finish Problems . . . . .	12
Filter Replacement. . . . .	12
Spray Gun Problems . . . . .	13 - 14
Needle Packing Nut . . . . .	15
Cleaning Fluid Passages . . . . .	16
Turbine Care and Maintenance . . . . .	17
Parts Diagrams. . . . .	18 - 21
Spray Gun Holder. . . . .	22
Service Information. . . . .	23
Warranty Information . . . . .	24
CE Declaration . . . . .	Back Cover

*Please read these instructions carefully before using the equipment*



## **GROUNDING**

This appliance must be grounded. If it should malfunction or break down, grounding provides a path of least resistance for electric current to reduce the risk of electric shock. This appliance is equipped with a cord having an equipment-grounding conductor and grounding plug. The plug must be inserted into an appropriate outlet that is properly installed and grounded in accordance with all local codes and ordinances.



**Please Note\* For UK, Australia, Asia etc. your voltage will be 220-240v. Check the label on the base of the turbine to ensure your unit is at the correct voltage for your location.**



## **ELECTRIC SHOCK HAZARD**

**Improper connection of the equipment grounding conductor can result in the risk of electric shock.**

- Check with a qualified electrician or serviceperson if you are in doubt as to whether the outlet is properly grounded.
- Use only a 3-wire extension cord that has a 3-blade grounding plug and a 3-slot receptacle that accepts the plug on the product.
- An undersized cord results in a drop in line voltage and loss of power and overheating.
- Do not modify the plug provided with the appliance. If it will not fit the outlet, have a proper outlet installed by a qualified electrician.
- To reduce the risk of electric shock or injury, do not expose to rain.
- Never allow unit to freeze.

- Always store the unit inside in a dry location. Store on the floor if in a basement a basement setting.
- The operator must wear shoes and the floor must not be wet.



### **FIRE AND EXPLOSION HAZARD**

**Turbine must not be used in an area contaminated by volatile or flammable materials since sparking can be expected in the normal operation of the motor. This could ignite the contaminants causing a dangerous explosion.**

- Do not spray flammable or combustible materials near an open flame or sources of ignition such as cigarettes, motors, and electrical equipment.
- Keep spray area well-ventilated. Keep a good supply of fresh air moving through the area. Keep turbine in a well ventilated area.
- Do not spray turbine.
- Turn off and disconnect power cord before servicing equipment.
- Do not smoke in the spray area.
- Do not operate light switches, engines, or similar spark producing products in the spray area.
- Keep area clean and free of paint or solvent containers, rags, and other flammable materials.
- Fire extinguisher equipment shall be present and working.
- Sprayer generates sparks. When flammable liquid is used in or near the sprayer or for flushing or cleaning, keep sprayer at least 20 feet (6 m) away from explosive vapors or spraying area.
- Ensure ground prongs are intact on sprayer and extension cords.
- Always disconnect unit from main supply when filling the paint container.
- Never use 1,1,1-trichloroethane, methylene chloride, other halogenated hydrocarbon solvents or fluids containing such solvents in equipment with aluminum wetted parts. Such use could result in a serious chemical reaction, with the possibility of explosion. Consult your fluid suppliers to ensure that the fluids being used are compatible with aluminum parts.



### **TOXIC FLUID OR FUMES HAZARD**

**Toxic fluids or fumes can cause serious injury or death if splashed in the eyes or on skin, inhaled, or swallowed.**

- Read MSDS (Material Safety Data Sheet) to know the specific hazards of the fluids you are using.

- Always wear appropriate gloves and eye protection
- Always wear a respirator or mask. Read all instructions of the respirator or mask to ensure that it will provide the necessary protection against the inhalation of harmful vapors. Please also check with the local jurisdiction.
- Paint, solvents, insecticides and other materials may be harmful if inhaled.
- Store hazardous fluid in approved containers, and dispose of it according to applicable guideline.
- Do not stop or deflect fluid leaks with your hand or body.



### **EQUIPMENT MISUSE HAZARD**

#### **Misuse of equipment can cause serious injury or death.**

- Never aim the spray gun at another person or animal. In the event of injury, seek expert medical advice immediately.
- Do not operate or spray near children. Keep children away from equipment at all times.
- Do not overreach or stand on an unstable support. Keep effective footing and balance at all times.
- Stay alert and watch what you are doing.
- Do not operate the unit when fatigued or under the influence of drugs or alcohol.
- Do not kink or over-bend the hose.
- Do not use the hose as a strength member to pull or lift the equipment.
- Do not cover turbine case as this will restrict air to the intake and result to overheating and premature failure of the motor.
- Do not carry turbine while spraying.
- Check the hose, hose connectors and power cord daily. Any worn or damaged parts should be replaced immediately.
- Use only genuine Fuji Spray replacement parts.
- It is normal for the turbine air outlet (manifold) to become hot during use, please allow your Fuji Spray turbine to cool for a few minutes before removing the hose from the turbine manifold.



#### **Prop 65 Warning for California Residents**

**WARNING:** This product may contain chemicals known to the State of California to cause cancer, birth defects, or other reproductive harm.

## GETTING STARTED

Please register your Fuji Spray Product at [www.fujispray.com/product-registration](http://www.fujispray.com/product-registration)

NOTE: Throughout this Manual we have used the generic word 'Paint' to describe all and any coatings. Please substitute the word 'Paint' for whatever finish or coating you are spraying.

Your Fuji Spray M-Model Gun has been adjusted at the factory and is ready for spraying. To clean out any impurities that may have accumulated during assembly or shipping, we recommend spraying a small quantity of clean paint thinner through the gun. Before tackling any serious spraying, experiment with the Gun on a scrap piece of wood until you become familiar with all the controls.

## HOSE CONNECTION

Connect the Hex Nut at the end of the Hose (female connector) to the Turbine Air Outlet. **It is not necessary to use a wrench to tighten this hex nut.**

## AIR CONTROL VALVE

The Air Control Valve 2032 is located on the Hose next to the brass Quick-Connect. It provides you with a means of controlling the air flow through the Gun. It offers you fingertip control when you need it to reduce bounceback and overspray. There is one thing to remember about the Air Control Valve - it is the **'last in the chain'** after...

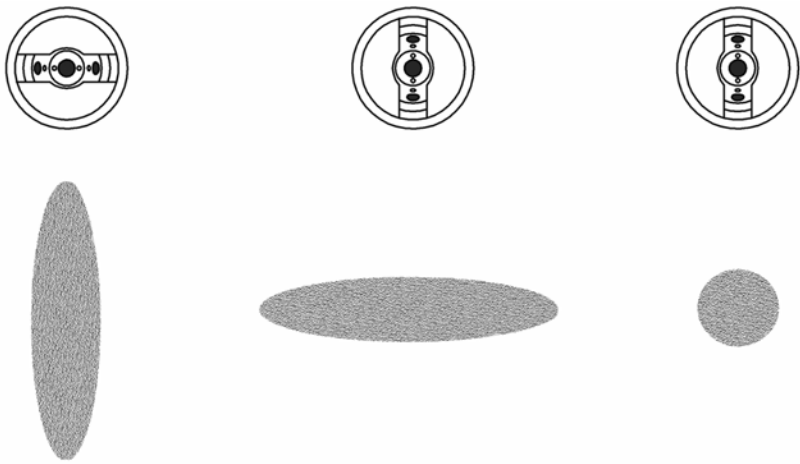
- 1) Thinning the paint
- 2) Adjusting the shape and size of the spray pattern
- 3) Adjusting the flow of paint through the gun.

After performing these operations, you should spray a few passes onto a scrap piece of plywood or cardboard. This will allow you to determine if the paint (generic word for any type of coating) levels nicely. If there is 'orange-peel' then you must thin the product more. Once the gun is producing a perfect finish with full air, you may then experiment with turning the air down until bounceback is reduced to a minimum. With heavier paints (such as latex) spraying may be done with the Valve fully open (or even removed).

## PLASTIC DIAPHRAGM

The 1 Quart pressurized Cup has a plastic Diaphragm 2096 (not found in the Gravity Spray Gun). This Diaphragm prevents paint from entering the Pressure Tube 2024. The small air hole in the Diaphragm should not be placed directly below the air hole in the Nipple. Position the Diaphragm hole to the rear of the Cup. The Spray Gun can be turned to different angles when spraying but never turned more than horizontal.

## CHANGING SIZE & SHAPE OF THE PATTERN



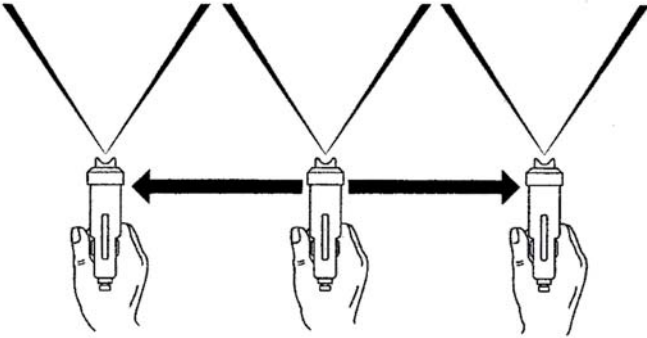
- A) Loosen the Collar #1. Turn the Aircap #2 to the horizontal position. This setting produces a vertical spray pattern. Always make sure the Collar is snug tight.
- B) Setting the Aircap in a vertical position produces a horizontal spray pattern. To lock it in position, tighten the Collar #1 clockwise until it stops turning.
- C) For smaller pattern sizes, the Aircap can be set at horizontal or vertical. Turn the Pattern Control Knob #6 (at the rear of the Gun). This knob adjusts the size of the fan pattern from large to small round and anywhere in between. For regular spraying, the general setting is about 6"-8" wide from 8" distance away. This is a personal preference. If you turn the fan pattern down to a smaller round spray pattern you will have to reduce the amount of fluid by turning the Fluid Knob #7. If you do not do this, you will get runs. You can use this much smaller pattern to spray spindles or the side of a board.

To set the fluid output, turn the Fluid Knob #7 clockwise until you cannot pull the trigger. Then unscrew it a little until a small amount of fluid comes out of the Nozzle when you depress the Trigger. Once you set the fluid to your liking, you can leave it in this position. Always remember that if there is not enough fluid (paint) you can turn the Fluid Knob counter-clockwise for more output.

## SPRAYING TECHNIQUE

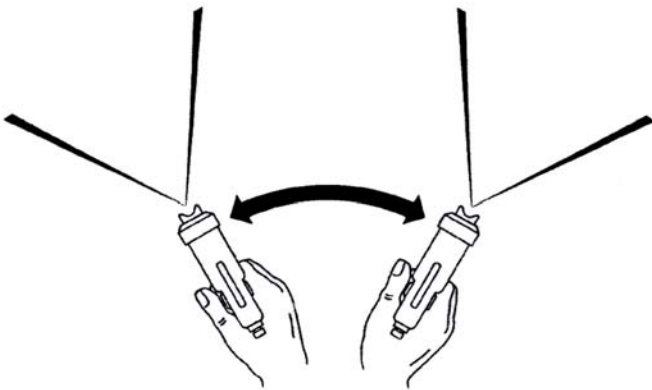
The spraygun should be held perpendicular to the surface at all times. HOLD THE GUN NO MORE THAN 8" (20cm) AWAY FROM THE SURFACE TO BE PAINTED. But closer is ok.

### CORRECT METHOD



Start moving the spraygun in the direction you want to spray and press the trigger. Between each successive pass, overlap by about a quarter.

### INCORRECT METHOD



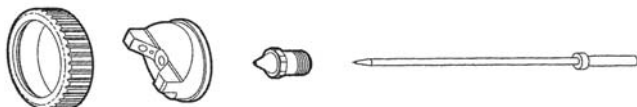
**Never, for any reason, point the spraygun directly at the face, or head of a person.**



## AIRCAP SET SELECTION

5 additional setups are available as accessories. Size No.3 is standard with all Fuji M-Sprayguns. No. 2, 3 or No. 4 can be used for any type of fine-finishing application. The larger sizes such as No. 4 allow for more fluid output. This is desirable when spraying fast drying lacquers. It allows you to spray wetter to obtain better leveling.

### AIRCAP SET - Part 7020



**If you do not intend on spraying walls & ceilings then the only additional setups you would ever need would be the No. 2 Fine and Medium No. 4.**

**No. 1 (Part 7020-1)** .8mm (.031") SUPER-FINE OUTPUT

SHADING, STAINS.

**No. 2 (Part 7020-2)** 1mm (.039") FINE OUTPUT

SHADING, STAINS, WATERBORNE COATINGS.

**No. 3 (Part 7020-3)** 1.3mm (.051") FINE - MEDIUM OUTPUT - **STANDARD**

WATER-BASED LACQUERS, ACRYLICS, POLYURETHANE, STAINS.

**No. 4 (Part 7020-4)** 1.5mm (.059") MEDIUM OUTPUT

Similar to No. 3 but more coverage. Best for AUTOMOTIVE ENAMELS, NITROCELLULOSE LACQUER and LATEX for a finer finish. Also ideal for VARNISHES, PRIMERS, OIL-BASED PAINTS.

**No. 5 (Part 7020-5)** 1.8mm (.070") HIGH OUTPUT

Larger surfaces, thick layers, spotted effects. SEALERS, VARNISH, POLYURETHANE, OIL BASED PAINTS, ENAMELS, EPOXY, PLASTIC, ADHESIVES, FLOOR PAVING PAINTS, LATEX, ETC.

**No. 6 (Part 7020-6)** 2mm (.078") EXTRA HIGH OUTPUT

Very heavy flows, fast coverage. STONE FINISH PAINTS, TEXTURE COATING, INDUSTRIAL PRIMERS, MULTI-FLECK PAINTS, LATEX (on walls, ceilings) ETC.

## VISCOSITY GUIDE

A Viscosity Cup is included with your Fuji M-System.

To test the viscosity of the paint material, fill the Viscosity Cup to the brim and time how long it takes for the liquid to empty out through the hole. We recommend you experiment to find the ideal viscosity for your application and record the information for the next time.

Always check with the manufacturer of the coating for assistance in thinning for spraying. If their product is only designed to be brushed, they may not be too helpful. But remember that any type of coating can be sprayed if it is thinned correctly and you have installed the ideal aircap set.

The chart below illustrates how many SECONDS it should take for the material to flow out of the viscosity cup. This is only an approximate guide.

Auto Cellulose	18 - 20	Primers	30 - 40
Lacquers	18 - 20	Sanding Sealers	20 - 22
Enamels	20 - 25	Stains	Undiluted
Latex	20 - 30	Creosote	Undiluted
Oil-based	20 - 25	Polyurethanes	20 - 25

We suggest thinning around 25% to begin with but this may contravene the air quality control laws for your location. The solvent used for thinning is usually the solvent mentioned on the can (instructions for 'cleaning the brushes'). However, please check with the coatings manufacturer.

HVLP spraying is more friendly to the environment than most methods of spraying. It reduces appreciably the amount of unnecessary misting and fogging (overspray) associated with high-pressure spraying. Spraying with Nitrocellulose lacquer can be **hazardous. The lacquer, fumes and overspray are toxic, flammable and explosive.** If spraying must be done inside an enclosed area, **ventilate well.** Spray close to an open window or door and situate a fan to draw out the fumes (an explosion-proof motor and explosion-proof lighting will be necessary).

**Please check with the local Authority having jurisdiction on this matter.**

## A WORD ABOUT LATEX

Although latex paint was never originally intended to be sprayed, a professional finish can be achieved by following a few simple rules. (Please do not confuse latex with the newer water-based coatings). For work such as cabinetry or trim, our equipment can be used successfully with latex paint. The latex will have to be thinned with **WATER** - approximately **20-30% depending on the brand of paint**. And to improve the finish even more, you can use an additive that will slow down the drying process so that the paint levels out nicely. One product available is FLOETROL from the FLOOD Company in Ohio. In the USA Call 1-800-321-3444 for your nearest supplier. (In the U.K. 0845-0618899).

The ideal Aircap size setup is either the No. 4 or No. 5 for household trim, louver doors etc. The Latex paint should be 'finish-quality' and not a cheaper grade.

When spraying Latex, please adjust the Fluid Knob to limit the paint to a finer spray. This will increase the ratio of air to paint and result in better atomization and a beautiful finish. (Factually speaking, it doesn't increase the ratio of air to paint but does the opposite - it allows the air atomizing power to work on less paint thereby improving the quality of atomization). Also, it is usually helpful to remove the air control valve so that more air passes through the spraygun. Finally, adjust the pattern to a maximum size of 8" - 9" (20cm) - smaller is ok.

Although it is possible to use our equipment for house painting (walls), and many end users do, we feel that an airless gun or power roller is better suited for that kind of job. However, if you decide to do this kind of work, you will need the #6 Aircap set.

Remember, when you buy a can of paint, lacquer, polyurethane, varnish etc. over the counter, it will most likely be formulated for brushing. That means, it will be too viscous (thick) and will require thinning to spray successfully. This is true even when spraying is mentioned on the label of the can. Check with the manufacturer of the coating to obtain advice on thinning their product.

## GENERAL CLEANING

To clean the gun after each use, empty all paint from the Cup. Use a solvent-soaked rag to clean the residue in the Cup. Then, spray some clean solvent through the Gun into a clean rag (to avoid filling the room with unnecessary spray) or a bucket. Repeat until the inside of the fluid passages in the Gun, Metal Fluid Tube etc. are clean. Use the wet rag to wipe off the Aircap and tip of the Fluid Nozzle. The Aircap can be soaked in thinner.

Do not restrict the Fluid Nozzle when cleaning - this will drive thinned paint up the pressure tube and into the spraygun which is undesirable.

If this type of cleaning is done while the paint is still wet in the Gun, it should be all that is necessary to keep the Gun clean enough for next time. Do not leave liquids in the Cup overnight or for long periods.

PLEASE DO NOT USE A WIRE BRUSH OR ANYTHING METAL TO CLEAN THE GUN OR CUP AS THIS WILL CAUSE DAMAGE.

**DO NOT disassemble the Cup Assembly - Threads in your cup have been sealed at the factory to prevent leakage under pressure.**

The standard 1 quart (1000cc) Cup can be used with most coatings (including water-based). Also available as an accessory is our 2093T Teflon-coated Cup.

**CAUTION: Never soak the complete Spraygun in solvent** as this removes the grease from the parts and distributes thinned paints throughout the air passages. It could also damage internal parts such as the Spindle Valve or Valve Seals. It may however, be necessary sometimes to soak the Aircap No. 2 and Nozzle No. 3. **You may soak only the metal parts in solvent and clean with the soft bristle Cleaning Brush 9045.** To reassemble, first oil or grease all moving and threaded parts.

**CAUTION: Do not store the Gun with the cup clamped down hard as this will cause the gasket to flatten out. Do not lay the gun down on its side with liquid material in it.**

PLEASE SEE PAGE 14 FOR MORE ON CLEANING

## FINISH PROBLEMS

**ORANGE PEEL** - If the finish is rough and resembles orange peel then the material is too thick. (Or perhaps you have the Air Control Valve turned down - please check that it is fully open). The 'paint' will not atomize properly and the surface will be spotty. To remedy this, add more thinner (or appropriate solvent). For fast drying products such as lacquers, you may also want to add a lacquer retarder. This will slow the drying time allowing the material to flow out and level nicely.

Retarders are available for other coatings too, such as Penetrol for Oil-based paints or Floetrol for Latex house paints. These products go under different names such as Flow-Out Additives etc. Please check with the coatings manufacturer.

NOTE: With the newer water-based materials 'orange peel' is usually a result of spraying on too thick a film. **Try spraying an extremely THIN FILM, but still WET coat.** With most other coatings, orange peel is caused by material being too thick or not enough atomizing power. This is why we suggest leaving the air control valve fully open when experimenting with a new coating material, otherwise it will cause confusion. If the the air control valve is fully open (or perhaps removed for Latex spraying) then orange peel can only be one cause - the material is too thick and must be thinned.

**GRITTY FINISH** - If the material is too thin, it is likely to run or be over-atomized, producing a rough gritty finish. Try thinning the product less and spraying a wetter coat.

## FILTER(S)

The M-Series Turbines has 2 Filters. To remove, simply pull the Filters out from the bottom of the Filter Enclosures. Wash in solvent and **dry** before replacing.

All Fuji Filters are a friction fit. The Filter must fill the entire Filter Enclosure.

One of the Filters is Fine and one Coarse - the Fine Filter is installed to the Left Side and the Coarse to the Right Side (as seen looking at the front of the Turbine where the Hose is connected).

## SPRAYGUN PROBLEMS

### NO PAINT (OR VERY LITTLE PAINT)

The air passing through the Pressure Tube 40 to pressurize the Cup is blocked. This means that either the Tube itself, the Check Valve, or one of the two Nipples are blocked. A pipe cleaner can be used for cleaning the hole in the Nipple.

- Pressurizing Tube and/or Nipples are blocked - COMMON
- The Cup is not tightened down sufficiently by the Lever or the Cup Gasket is worn and leaking air
- The Cup is empty
- The metal Fluid Tube is blocked with paint - RARE
- The Fluid Coupler is blocked with paint - RARE

### UNEVEN SPRAY PATTERN

One of the holes in the Aircap may be blocked. Or, the paint could be dirty and is partially blocking the Fluid Nozzle. Remove the Aircap and clean by soaking in solvent and using the soft Bristle Brush or a rag. NEVER use metal objects to clean holes in the Aircap.

### LEAKAGE

If paint material comes out of the Fluid Nozzle **without** pulling the Trigger...

- The Needle is not seating in the Fluid Nozzle properly
- **The Needle Packing may be too tight preventing the Needle from moving** - See Page 15 Packing Adjustment
- Foreign matter trapped between Needle and Fluid Nozzle
- The Needle or Fluid Nozzle could be damaged or worn
- Loose Fluid Nozzle
- Wrong Nozzle size installed

### CUP LEAKS

- Oil above and below the Lever to smooth the Lever action
- Change Gasket/Diaphragm
- Leak around Nipple - use Loctite to seal
- Leak around Side Pins - use Loctite to seal
- Leak through Lid - remove Nut under Lid - use Loctite

## **THE TRIGGER IS SLUGGISH**

- The Needle Packing is too tight - see ADJUSTING THE NEEDLE PACKING. Page 15
- Bent Needle

## **POOR SPRAY PATTERN**

- Damaged Needle or Nozzle
- Nozzle is clogged
- Air holes in Aircap clogged
- Gun too far from surface (max. 8" - 20cm)

## **PAINT AT THE AIR NOZZLE HOLES**

- The Fluid Nozzle is loose and material is leaking around it - tighten with the supplied Wrench
- Paint is entering the gun via the Pressure Tube and being blown through the Barrel to the Aircap

## **GUN SPRAYS IN A PULSATING MANNER**

- The Needle Packing has worn a little or is loose. Tighten
- The Cup is almost empty
- The Cup Lid is not tight - air is escaping
- The clear Plastic Pressure Tube is leaking air. Replace
- The Pressure Tube and/or Nipple is clogged. Clear or replace

## **EXCESSIVE OVERSPRAY**

- The spray pattern size is too large for the item being sprayed
- The Gun is being held too far away - should be 8" max. (20cm)
- Trigger on and off as you pass over the edges of the item
- The product is too thin - try thinning less
- Reduce the air by turning the Air Control Valve to the point where overspray is minimized but the finish still looks good
- For ideal and comfortable spraying conditions, you should install an extraction fan.\* If you are spraying a flammable, combustible product such as nitrocellulose lacquer, you must install an explosion-proof fan (and explosion-proof lighting and switches)

**\* Please check with the local jurisdiction on this matter.**

## LEAKAGE FROM THE NOZZLE

This occurs when the Needle Packing Nut is **too tight** compressing the Needle Packing #12 tightly around the Needle.

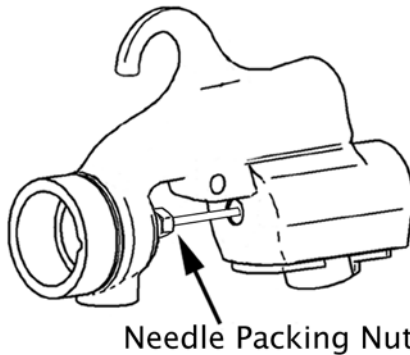
Half fill the cup with water. Attach the Gun to the Hose and turn on the Turbine blower. Pull the Trigger and release. Check the Nozzle for water spurting out.

Using the supplied wrench, **GENTLY** loosen the Nut (1 or 2 degrees only at a time). **This is a very sensitive adjustment.** Again pull the Trigger and release. Wipe away the water in between adjustments. Repeat until no water is seen at the Nozzle Hole.

## LEAKAGE FROM THE NEEDLE PACKING NUT

This occurs when the Needle Packing Nut is **too loose**.

Half fill the cup with water. Attach the Gun to the Hose and turn on the Turbine blower. Using the supplied wrench, **GENTLY** tighten the Needle Packing Nut 1 or 2 degrees only. **This is a very sensitive adjustment.** Wipe away the water in between adjustments. Repeat until no water is seen where the Needle passes through the Needle Packing Nut.



It is a good idea to apply Light Machine Oil or Vaseline to the Needle Shaft where it passes through the Needle Packing Nut and work it in and out by pulling the Trigger back and forth. This will lubricate the Needle Packing #12.



## CLEANING FLUID PASSAGES

To clean, flush appropriate solvent (refer to material manufacturer's cleaning recommendations) through the Spraygun while the paint is still wet inside the gun. If this type of quick cleaning is performed frequently, the Spray Gun will function well for many years. 99% of problems with a Spray Gun stem from clogs in the fluid passages and (perhaps more important), the Pressure Tube air passages. Please see Page 13... No Paint (or very little paint).

## CLEANING BEHIND THE FLUID NOZZLE

Remove the Collar #1 and Aircap #2.

Using the supplied wrench, remove the Fluid Nozzle #3. Once the Fluid Nozzle #3 is removed it is relatively easy to clean behind it with the cleaning brush and soapy water.

For a more thorough cleaning, remove all parts at the front of the barrel - Collar, Aircap, Fluid Nozzle etc. You may soak the parts in solvent. Also, remove the Fluid Knob 7, Spring 9 and Needle Assembly 8 from the rear of the gun. The Needle Assembly can then be soaked and later wiped clean.

PLEASE DO NOT SOAK THE WHOLE GUN IN ANY LIQUID - THIS IS NEVER NECESSARY OR ADVISABLE.

## CLOGGED GUN - THE FLUID COUPLER

If the Fluid Coupler 16 is clogged with dried paint it must be cleaned while in place in the gun. **The Fluid Coupler 16 should never be removed.** Remove the cup assembly by loosening the Nut at the top of the Assembly. Use the supplied Cleaning Brush to unclog the inside

## TURBINE CARE AND MAINTENANCE

### FILTER(S)

It is important to clean or replace your filters regularly. Operating the Turbine unit with clogged or dirty filters will cause the Turbine to overheat and result in premature failure. The Fuji HVLP Turbines have either 1 or 2 Filters. To remove, simply pull the Filters out from Filter Enclosure. Wash in warm soapy water and **dry** before replacing.

All Fuji Filters are a friction fit. The Filter must fill the entire Filter Enclosure. **NOTE:** Semi-PRO and Hobby-PRO Turbines have two **square** filters, fine and coarse. The fine Filter is installed to the left side and the coarse to the right side (as seen looking at the front of the Turbine where the Hose is connected).

**Cleaning your filters regularly is essential to maintaining your Turbine. It is always a good idea to have a spare pair of filters on hand.**

Turbine Filter part numbers:

Semi-PRO or Hobby-PRO Turbine (square shape filters) - Part # 4009-2

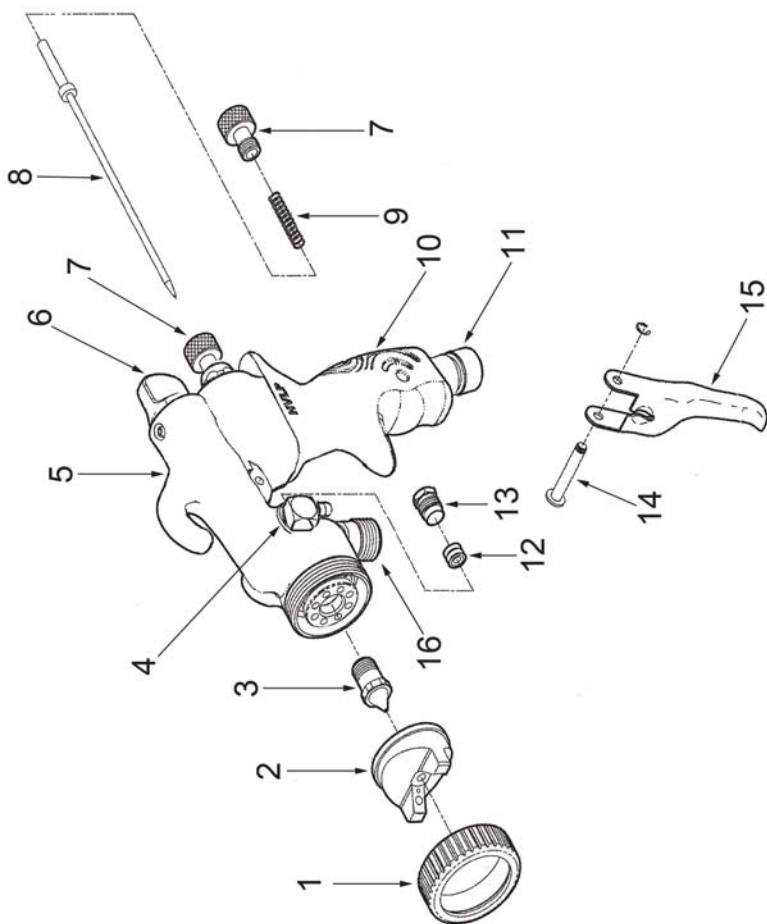
All HVLP Turbines are designed for intermittent use. When taking a break between coats or stepping aside to refill your cup, it's good practice to turn the Turbine off during this time. This allows the machine to cool off.

When spraying, always ensure that the Turbine unit is at least 15 feet away from spray project and in a well ventilated area. This will prevent any overspray or debris being ingested into the Turbine. Failure to do this may cause the filters to clog, resulting in damage to the internal motor.

It is a good idea to make use of the Turbine Wireless Remote (Accessory part # 3072). This device allows you to turn the Turbine unit on/off for your convenience without having to walk back and forth to the Turbine.

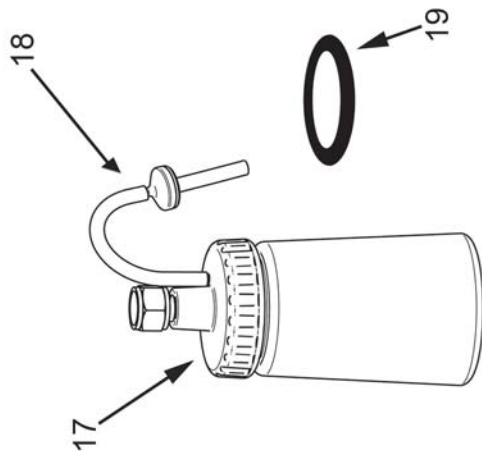
If you experience a problem with your Turbine unit, please **DO NOT** try to open and service the Turbine yourself. Contact us for technical assistance. If it is an issue of no power, check your power outlet. Also, try re-setting the Breaker on the back of the turbine by pressing it once.

# FUJI M-MODEL SPRAY GUN



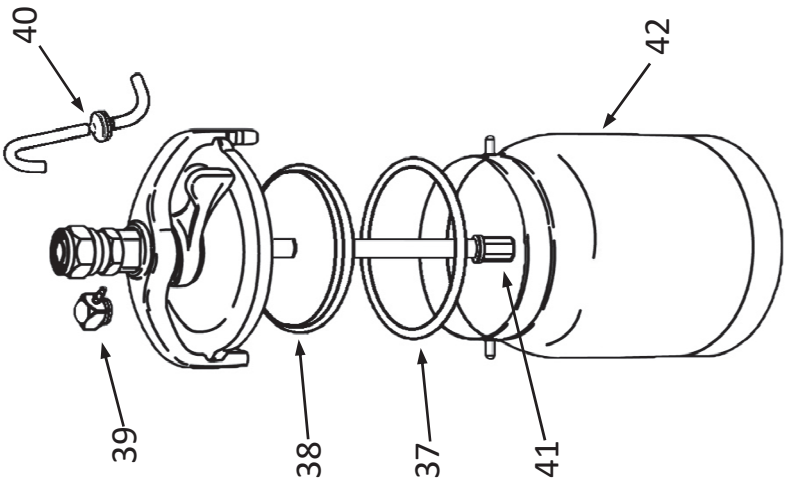
9080 MINI CUP SET - ACCESSORY

ITEM	NAME
1	Collar
2	Aircap
3	Fluid Nozzle
4	90 Degree Nipple**
5	Gun Body
6	Pattern Control Knob**
7	Fluid Knob
8	Needle Assembly
9	Needle Spring
10	Handle
11	Hose Connector**
12	Needle Packing**
13	Needle Packing Nut**
14	Trigger Pin**
15	Trigger**
16	Fluid Coupler**
17	Cup Assembly
18	Pressure Tube/Check Valve
19	Cup Lid Gasket



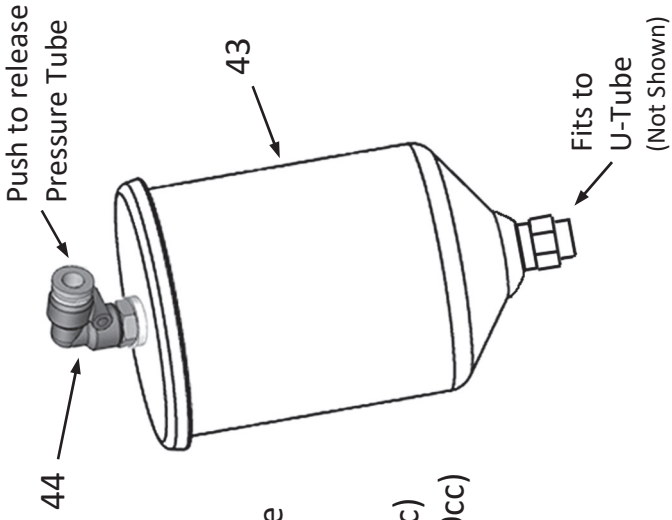
**DO NOT REMOVE PARTS MARKED \*\***

## CUP ASSEMBLY 2095



ITEM	NAME
37	Cup Lid Gasket
38	Diaphragm
39	90 Degree Nipple
40	Pressure Tube
41	Paint Strainer
42	1Qt. Cup (1000cc)
43	Gravity Cup (400cc)
44	Tube Fitting

## GRAVITY CUP ASSEMBLY



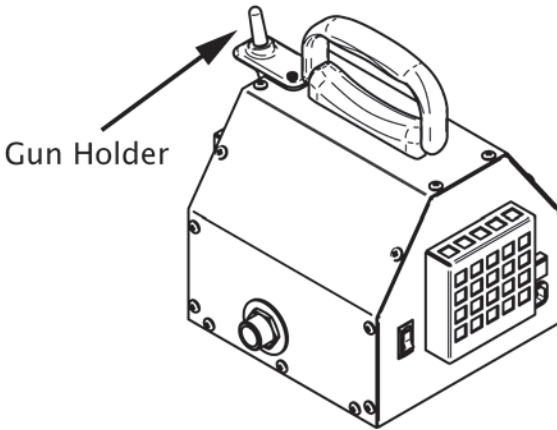
## M - Model Converting Diagram

Converting your bottom feed to a gravity & vice versa



**Easily Convertible!**

## GUN HOLDER



## GUN HOLDER INSTALLATION

The 2 holes on the top of the Holder require the Black Machine Screws and Washers. These Screws fit into Threaded Inserts in the Metal Case. Do not overtighten - snug is fine.

The single Silver-Colored Screw must be installed to the single hole on the side of the Gun Holder. Once again, please do not overtighten this screw - snug is fine.

## GUN HOLDER USE

Place the Hose Connector 11 (base of the Gun Handle) over the shaft of the Gun Holder shown in above illustration. Please ensure it is fully set down to the base of the Shaft. The Spray Gun will now sit stationary. The Gun can be left on the Holder for any length of time. It is a convenient resting place between spraying.

## Fuji Limited 2 Year Warranty

Fuji Industrial Spray Equipment Ltd. ("Fuji") provides a 24 month limited warranty on the product to the original purchaser effective from the date of purchase against defects in materials and workmanship.

The warranty does not cover damage or defects arising as a result of abuse, misuse, accident, negligence, malfunction, corrosion, normal wear and tear, inadequate or lack of spray gun or other aspects of maintenance of the product, damage arising from improper assembly, installation or operation, or damage arising from the product being used for a purpose other than that for which it was designed or intended. The warranty is void if repairs to the product are made or attempted by anyone other than Fuji or its authorized agent, or if any modifications to the product are made or attempted.

Purchasers located in North America must obtain a Return Material Authorization number by calling Fuji at 1-800-650-0930 before returning the product to Fuji or its designated representative. Purchasers located outside North America must contact the vendor from which they purchased the product. In all instances purchasers must return the product together with proof of purchase and with shipping prepaid. For valid warranty claims the product will be returned to the purchaser with shipping prepaid.

**This is the only warranty provided by Fuji with respect to the product and is in lieu of any other warranties, express or implied, including but not limited to any warranty of merchantability or fitness for a particular purpose. Fuji's sole obligation under this warranty shall, at its option, be to either repair or replace a product determined by Fuji to be defective. In no event shall Fuji be liable for loss or profits, incidental or consequential damages, injury to any person or property, or any other damages of whatsoever nature.**



# FUJI SPRAY®

## CONNECT WITH US!



@FUJISPRAY



@FUJISPRAYOFFICIAL



@FUJISPRAY

## NEED HELP?



FUJISPRAY.COM



SUPPORT@FUJISPRAY.COM



+1-800-650-0930

Fuji Industrial Spray Equipment Ltd.  
800 Alness Street, Toronto, ON, Canada M3J 2H5