

No	DESCRIPTION	QTY
1	SPOUT ASSEMBLY	1
2	BODY ASSEMBLY	1
3	O RING - BS131 (ID 1-11/16" X 3/32" )	1
4	MOUNTING SYSTEM	
4-1	O RING - BS011 (ID 5/16" X 1/16" )	1
4-2	S.S. INLET TUBE	1
4-3	RUBBER WASHER	1
4-4	STANLESS STEEL WASHER	1
4-5	S.S. MOUNTING NUT	1
5	S.S GRUB SCREW - M5	1
6	HANDLE LEVER	1
7	SQUARE PLASTIC SLEEVE	1
8	HANDLE BEARIGN RING	1
9	HANDLE SLEEVE	1
10	1/2" QUARTER TURN HEADWORK	1
11	S.S GRUB SCREW - M4	1

## Installation Instructions

**Note: Fits a maximum bench thickness of 2 1/2inches.  
Cut-out size minimum 1/2", maximum 1 1/2".**

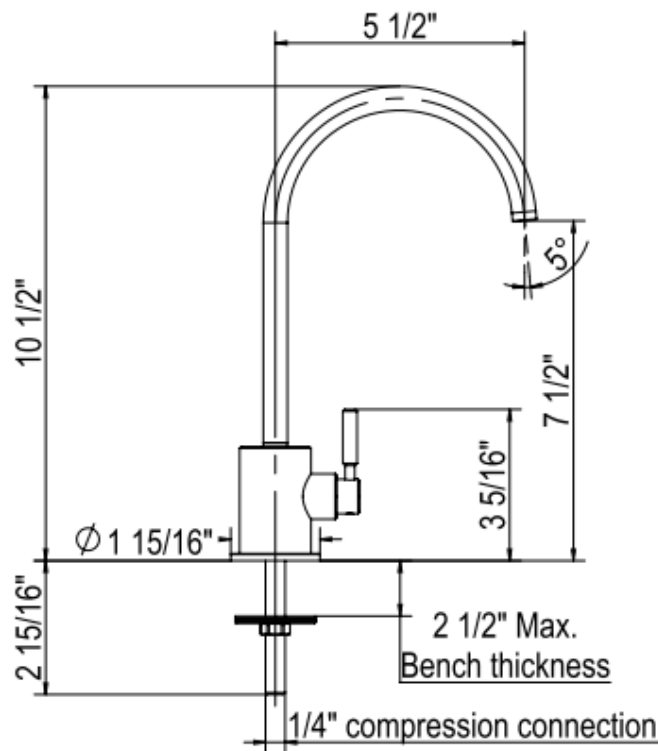
1. Flush pipe work to ensure it is free from debris.
2. Cut a mounting hole as per cut-out above in the desired position for the faucet.
3. Remove mounting nut #4.5, steel washer #4.4 and rubber washer #4.3 from filter tap.
4. Position in bench top ensuring the base seal #3 is in place.
5. From underneath the bench install the rubber washer #4.3, steel washer #4.4 and mounting nut #4.5 .
6. Connect to cold water supply (See installations for water filter systems - Not included).
  - a. 1/4" compression fitting is required. (Not included.)
7. Turn on water supply and check for leaks.

CARE & MAINTENANCE: Refer Rohl care & maintenance guide.

WARRANTY: Warranty is limited lifetime. See ROHL website for details. ([www.rohlhome.com](http://www.rohlhome.com)).

# LUX™ KITCHEN SINGLE SIDE LEVER FILTER FAUCET R7517

## INSTALLATION INSTRUCTIONS



Please leave this form with the product once installed.

### SYSTEM REQUIREMENTS

To ensure the optimum performance and customer satisfaction please adhere to the following:

- Flush out all pipe work prior to installation.
  - Minimum operating pressure 40psi
  - Maximum operating pressure 70psi
  - Recommended operating pressure 60psi
- \*Note: Pressures over 70psi may require that the house have a pressure regulator installed to limit the pressure below 70psi.
- Maximum hot water temperature 120°F
  - If the water temperature exceeds 120°F an approved tempering valve must be fitted.
  - Maximum flow rate limited to 0.5 GPM at 45psi flow pressure.

**Failure to comply with the above will void all warranties.**

**Note:** It is strongly recommended that in-line filters are fitted to both inlets.

Compression connection not supplied.

#41354 07/16

**Care and Maintenance:** After use, wipe down with a soft, dry cloth.

For all chrome plated surfaces clean this product with warm soapy water and then dry with a dry soft cloth.

Nickel plated, satin and Inca brass finishes should be cleaned with a soft cloth and warm water. Then dry with a dry soft cloth.

Do not use cream cleaners or cleaning agents containing a corrosive acid or scouring agent including: Softscrub, Comet, Ajax and Bonami, as these may damage the surface of the faucet.

Do not use any spray cleaners with ammonia or alcohol like Windex, 409 or Fantastik.

Any use of unsuitable cleaning agents causing damage to the surface will not be covered by the warranty.

**WARRANTY:** Warranty is limited lifetime. See ROHL website for details. ([www.rohlhome.com](http://www.rohlhome.com)).

A basic in-line filter system is required for the house to protect any debris from entering the water supply line to the house (i.e. due to construction or service work on the street water main).

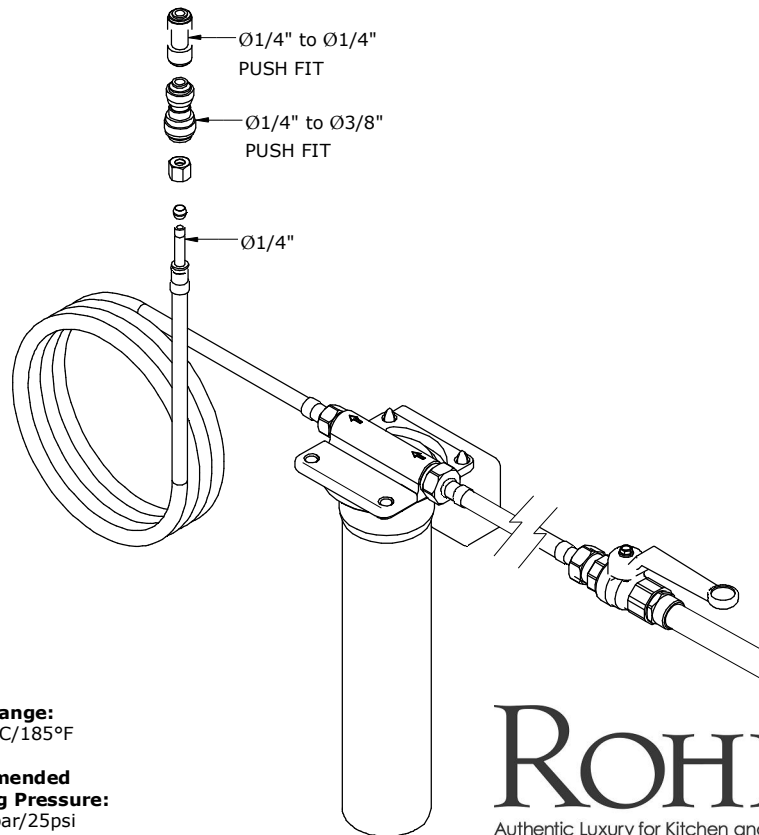
# ROHL®

Authentic Luxury for Kitchen and Bath™

## The Kitchen Filtration Collection

### Arolla™ Filter Installation Guide

#### • HRK-2000 Arolla Filter Fitted with HRF-1000 Filter Cartridge



**Temp Range:**  
Max 85°C/185°F

**Recommended Working Pressure:**  
Min 1.7bar/25psi  
Max 5bar/75psi

**ROHL®**  
Authentic Luxury for Kitchen and Bath™

**Please register your new product.**  
Complete the enclosed registration card, or call Toll free on 800.777.9762

Congratulations on the purchase of your ROHL Arolla™ Filtration product. Correctly installed and with sensible care, this product will give you many years of trouble free service.

### IMPORTANT INFORMATION

**These are instructions for ROHL Arolla Filtration. Please read carefully to ensure correct installation.**

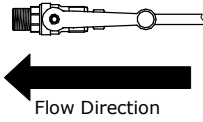
**Before you proceed... We recommend you engage the services of a registered plumber to install this product.**

### Preparation for Installer

Flush the plumbing system before installing the Kitchen product.

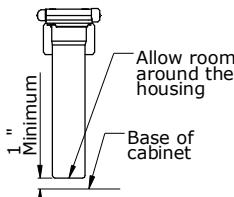
Ensure you have the correct fittings to connect to the filter faucet

**1**  $\varnothing 3/8"$  Main Cold Feed



Flow Direction

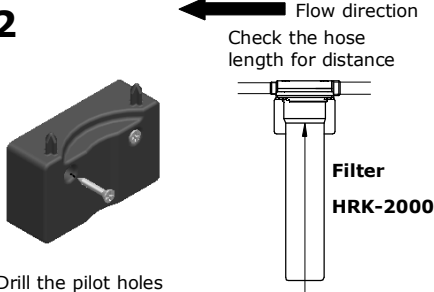
Install the supplied stop valve in an easily accessible area to allow access to turn off the water supply in the future, for servicing and cartridge replacement.



1" Minimum  
Allow room around the housing  
Base of cabinet

Position the filter housing leaving room around it for future access and cartridge replacement. Mark the screw holes ready for pilot holes. Leave room for the Pre-filter housing if necessary.

**2**



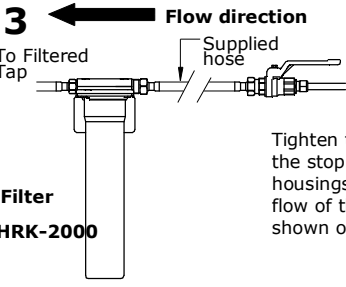
Flow direction  
Check the hose length for distance

**Filter HRK-2000**

Remember to leave room for servicing the cartridge housings.

Drill the pilot holes and screw the filter housing bracket in position. Making sure to keep as level as possible.

**3** **Flow direction**



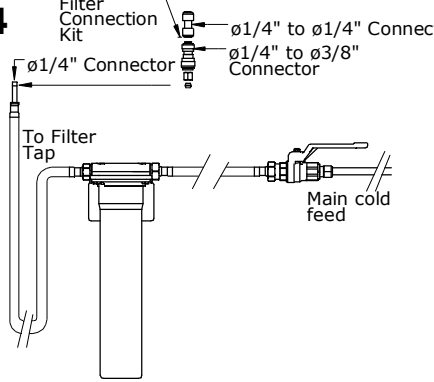
To Filtered Tap  
Supplied hose

**Filter HRK-2000**

Flow direction

Tighten the hoses from the stop valve to the housings following the flow of the water shown on the cap.

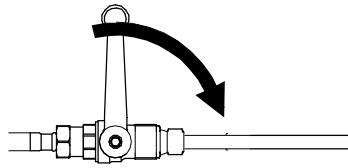
**4**



Filter Connection Kit  
 $\varnothing 1/4"$  to  $\varnothing 1/4"$  Connector  
 $\varnothing 1/4"$  Connector  
 $\varnothing 1/4"$  to  $\varnothing 3/8"$  Connector

To Filter Tap  
Main cold feed

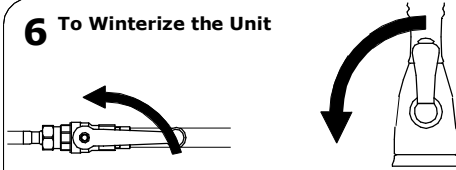
**5**



Turn on the main supply valve. Run the filtered water for 2 minutes to flush the system, and carefully check the system for leaks. The system is now ready for use.

Small air pockets may remain in the ceramic filter which may cause the water to appear cloudy, this is normal and will disappear with continued use.

**6 To Winterize the Unit**



Shut off mains supply. A stop valve was supplied with the system for this purpose, and will be located on the adjacent pipe work.

If you plan to be away from home for extended periods, carry out the procedures above, to prevent the risk of freezing. Freezing will invalidate the warranty.

Turn the filtered lever on the faucet to the on position. This will confirm the water supply is off, and release the pressure in the system.

### **IMPORTANT NOTES**

Do not use with water, that is microbiologically unsafe or of unknown quality without adequate disinfection before or after the system. Systems certified for cyst reductions may be used on disinfected waters that may contain filterable cysts.

Please ensure that the installation complies with applicable State & local plumbing codes.

System is to be supplied with cold water only.

### **CARE & MAINTENANCE**

Wipe down after use to avoid water spotting and mineral build up.  
Replace HRF-1000 every six (6) months or 1,000 Gallons usage.

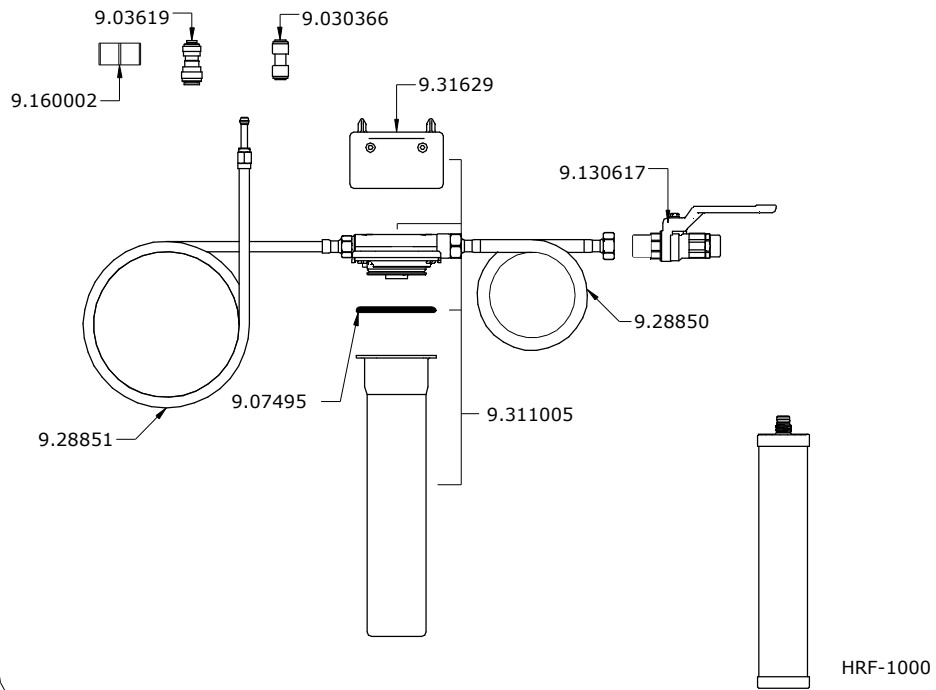
**ROHL WARRANTY POLICY**

All products supplied by ROHL carry warranties against manufacturing defects.

Our products carry a Limited Lifetime Warranty.

For full ROHL LLC WARRANTY please contact ROHL or visit [www.rohlhome.com](http://www.rohlhome.com)

**SPARES**

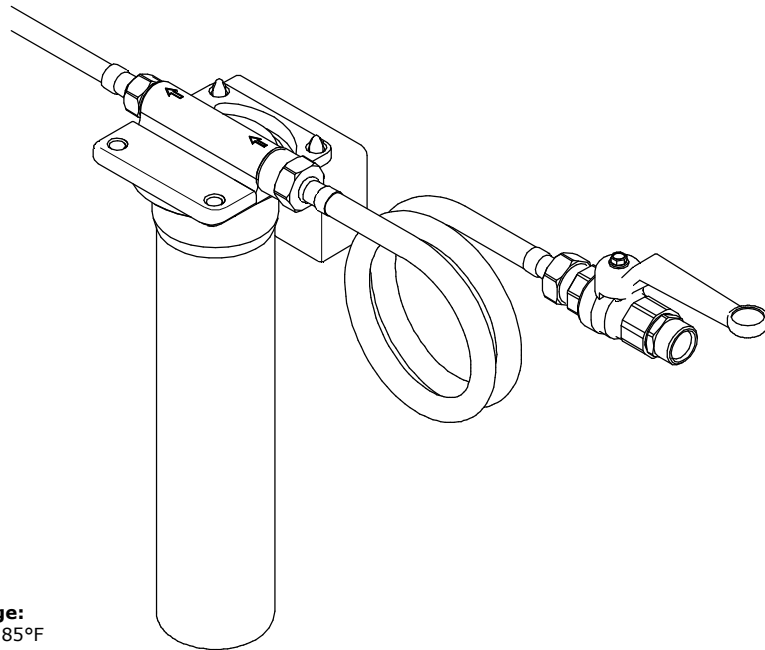


# ROHL®

Authentic Luxury for Kitchen and Bath™

**The Kitchen Filtration Collection**  
**Arolla™ Filter Replacement Guide**

- **HRK-2000 Filtration Canister**
- **HRF-1000 Replacement Filter**



**Temp Range:**  
Max 85°C/185°F

**Recommended Working Pressure:**  
Min 1.7bar/25psi  
Max 5bar/75psi

**Please register your new product.**  
**Complete the enclosed registration card, or call Toll free on 800.777.9762**

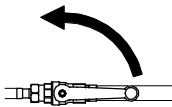


**Thank you for your continuing support of the ROHL Filtration products**

**IMPORTANT INFORMATION**

**The following instructions are for the filter replacement you are installing. Please read carefully to ensure correct installation.**

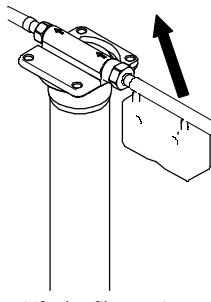
**1**



Shut off main supply. A stop valve was supplied with the system for this purpose, and will be located on the adjacent pipe work.

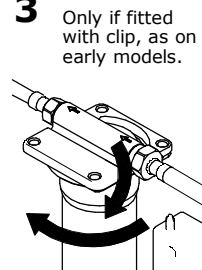
Turn the filtered lever on the faucet to the on position. This will confirm the water supply is off, and release the pressure in the system.

**2**



Lift the filter unit from its retaining bracket.

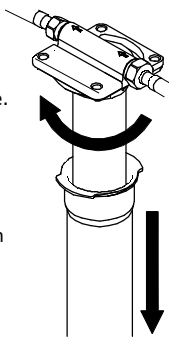
**3**



Only if fitted with clip, as on early models.

Holding the cap clip down rotate the housing clockwise a quarter turn and slide the housing down.

**4**



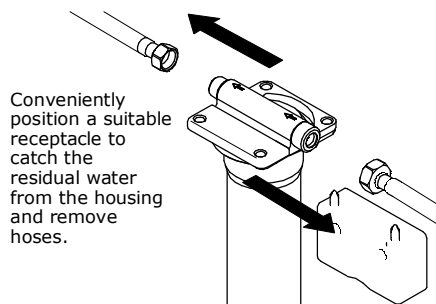
Slide the housing off the filter cartridge. While holding the cap firmly, unscrew the cartridge. Discard the cartridge with your house-hold waste, wrapped in news paper or placed in a polythene bag.

If space is restricted slide the housing down and then unscrew the cartridge. Then remove both the cartridge and the housing together.

Wash the housing in warm soapy water, then rinse well.

**5**

**Only if necessary due to restricted access.**



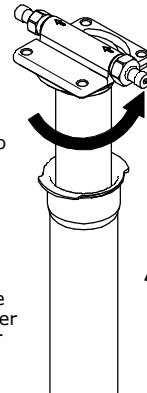
Conveniently position a suitable receptacle to catch the residual water from the housing and remove hoses.

6



Take the new cartridge and wet the two 'O' seals on the threaded end of the cartridge.

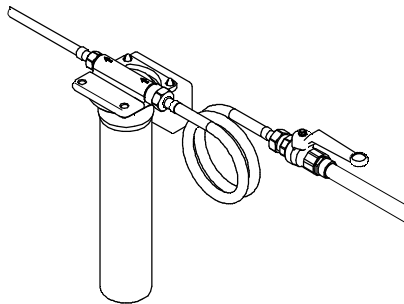
7



Screw carefully into the female thread on the inside of the cap. Fit the housing back over the cartridge with a quarter turn counter clockwise

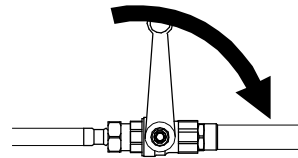
Please Note: The cartridge is fragile and can be easily damaged if not handled carefully. Care should therefore be taken when screwing the cartridge into the housing cap. Be careful not to cross thread or over tighten the cartridge.

8



Replace the unit on the bracket, and (if removed) tighten the hoses onto the cap.

9



Turn on the main supply valve. Run the filtered water for 2 minutes to flush the system, and carefully check the system for leaks. The system is now ready for use.

Small air pockets may remain in the ceramic filter which may cause the water to appear cloudy. This is normal and will disappear with continued use.

**IMPORTANT NOTE**

Do not use with water, that is microbiologically unsafe or of unknown quality without adequate disinfection before or after the system.

With a rated service capacity of 3406 litres (900 gallons) the HRF-1000 filter cartridge should be replaced every six months to ensure optimum performance.

**To Winterize the Unit**

If you plan to be away from home for extended periods, or the filter housing maybe subject to the risk of freezing, carry out the procedures 1-2 as above. When the risk of freezing has subsided or you wish to use the system again open the main supply and allow the water to run for 2 minutes to flush the system, the system is now ready to use. Freezing will invalidate the warranty.

**ROHL WARRANTY POLICY**

All products supplied by ROHL carry warranties against manufacturing defects.

Our products carry a Limited Lifetime Warranty.

For full ROHL LLC WARRANTY please contact ROHL or visit [www.rohlhome.com](http://www.rohlhome.com)



Replacement Filter HRF-1000 installed in the  
HRK-2000 Filtration canister