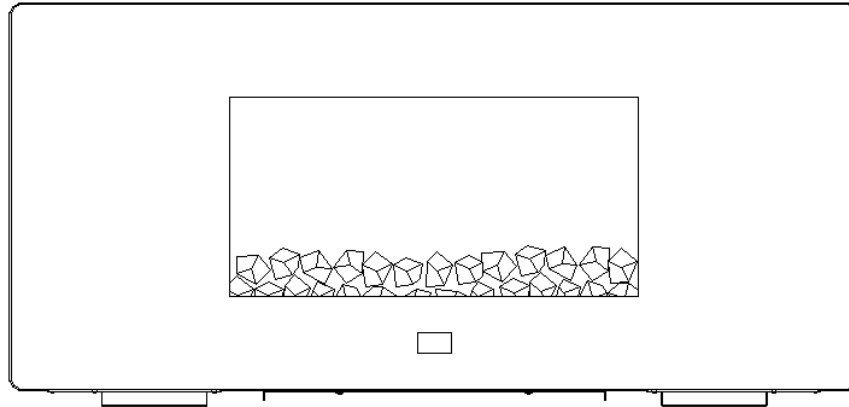


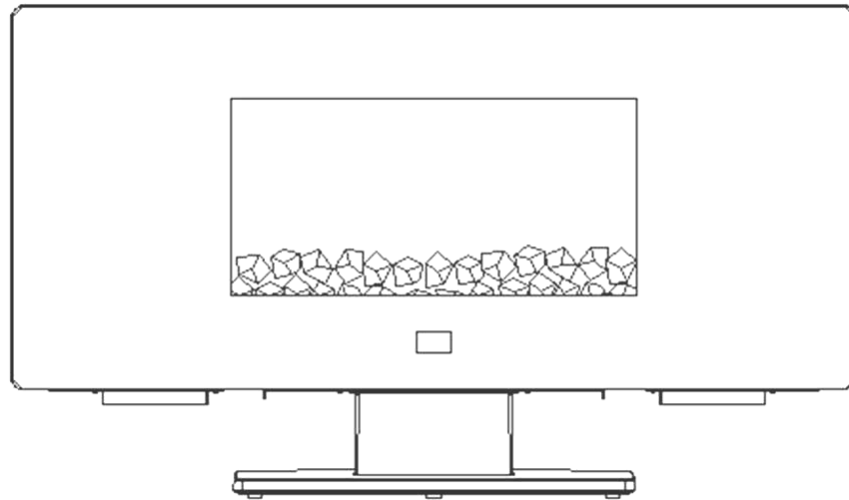
ELECTRIC FLAT PANEL FIREPLACE HEATER

OWNERS MANUAL

Model Numbers: EM27F0101; EF27F



Wall-Hanging Mode



Free-Standing Mode



Only use this heater as described in this manual. Any other use is **not** recommended by the manufacturer, and may cause **fire, electric shock, or other personal injury.**



WARNING! Read and understand this entire owner's manual, including **all safety information, before plugging in or using** this product. Failure to do so could result in **fire, electric shock, serious personal injury, or death.**



WARNING! INDOOR use only! NEVER use this heater outdoors!

SAVE THESE INSTRUCTIONS!



CAUTION! Keep this owner's manual for future reference. If you sell or give this product away, make sure this manual accompanies this product.

CONTENTS

CSA / Power Cord Labels	2
Important Safety Information & Warnings	3
Preparation	5
Parts & Hardware	5
Assembly - Free-Standing Mode	7
Assembly - Wall Hanging Mode	9
FCC Statement / Battery Information	14
Operation	15
Control Panel	16
Remote Control	17
Care and Maintenance	18
Troubleshooting Guide	19
Limited Warranty	20
Customer Service	20

CSA / POWER CORD SAFETY LABELS

CSA Rating Label	Power Cord Warning Label												
<p>ELECTRIC FIREPLACE</p> <table> <tr> <td>MODEL</td> <td>EM27F0101 (EF27F)</td> </tr> <tr> <td>VOLTAGE</td> <td>120V AC</td> </tr> <tr> <td>FREQUENCY</td> <td>60 Hz</td> </tr> <tr> <td>AMPERAGE</td> <td>11.2 A</td> </tr> <tr> <td>WATTS</td> <td>1350 W</td> </tr> <tr> <td>SERIAL No.:</td> <td>#####</td> </tr> </table> <p>NINGBO RICHEN ELECTRICAL APPLIANCE CO., LTD.</p>	MODEL	EM27F0101 (EF27F)	VOLTAGE	120V AC	FREQUENCY	60 Hz	AMPERAGE	11.2 A	WATTS	1350 W	SERIAL No.:	#####	<p>WARNING! TO REDUCE RISK OF FIRE:</p> <ol style="list-style-type: none"> 1. Keep electric cords, furniture, paper, clothes, drapes, and other combustibles at least 3 ft. (0.9m) away from the front of the heater, and away from the sides, bottom, and rear when the heater is plugged in. 2. DO NOT place the heater near a bed because objects such as pillows or blankets can fall off the bed and be ignited by the heater. 3. ALWAYS unplug the heater when not in use. 4. AVOID the use of an extension cord. It may overheat and cause a risk of fire or electric shock. If an extension cord is needed, the gauge of the cord must be at least 14AWG, and the rating must be at least 1875 Watts. NEVER use a smaller gauge cord with a lower rating. 5. NEVER operate this heater if the power cord or plug has become damaged, if the grounding pin is damaged or missing, or if the heater malfunctions, has been dropped, or is damaged. 6. DO NOT run this cord under carpeting, furniture, or appliances. DO NOT cover the cord with throw rugs, runners, or other coverings. Keep the cord from crossing traffic areas to avoid tripping. 7. ALWAYS check your heater cord and plug connections with each use! <ol style="list-style-type: none"> i) MAKE SURE the plug fits tight in the outlet! Faulty wall outlet connections or loose plugs can cause the outlet to overheat. ii) Heaters draw more current than small appliances. Overheating may occur even if it has not occurred with the use of other appliances. iii) During use check frequently to see if the plug outlet or faceplate is HOT! iv) If the outlet or faceplate is HOT, discontinue use immediately and have a qualified electrician inspect and/or replace the faulty outlets. <p style="text-align: center;">DO NOT REMOVE THIS TAG!</p>
MODEL	EM27F0101 (EF27F)												
VOLTAGE	120V AC												
FREQUENCY	60 Hz												
AMPERAGE	11.2 A												
WATTS	1350 W												
SERIAL No.:	#####												
<p>FREE STANDING MODE: ATTACH PEDESTAL BEFORE USING. DO NOT ATTACH WALL MOUNT BRACKET WHEN IN THIS MODE.</p>													
<p>HANGING MODE: HANG ON WALL WITH BRACKET BEFORE USING. DO NOT ATTACH PEDESTAL WHEN IN THIS MODE.</p>													

IMPORTANT SAFETY INFORMATION!



WARNING



- **ALWAYS** keep **electric cords, home furnishings, drapes, clothing, papers, or other combustibles** at least **3 feet (0.9m)** away from the front of this heater, and away from the bottom, sides, and rear of this heater.
- **DO NOT** place the heater near a bed because objects such as pillows or blankets can fall off the bed and be ignited by the heater.
- **DO NOT COVER** this heater or **block** the air vents at all. Doing so could cause a **fire**.
- **AVOID fire or electric shock! NEVER** insert or allow any foreign objects to enter the ventilation or exhaust openings of this heater.
- **Prevent Fire!** Keep all **flammable liquids**, like gasoline or paint, away from this heater. This heater produces **arcing sparks** that **could ignite** flammable liquids.
- **DO NOT cover** this heater in any manner. Doing so could block the air flow and cause the unit to **overheat**, or could **ignite** the material covering the heater.
- **NEVER** run the **power cord** under carpet, rugs, runners, or any other covering. Doing so could cause the cord or materials covering the cord to overheat.
- **AVOID FIRE!** Regularly inspect all air vents to make sure they are free from dust, lint, or other blockage. **Unplug the unit** and clean with a **vacuum ONLY**. **DO NOT** rinse or get wet.



WARNING



- **For residential use only! NOT for commercial use! NEVER** use this fireplace for other than its intended purpose.
- **FREE STANDING: ALWAYS ATTACH THE PEDESTAL BEFORE USE** in free standing mode. **DO NOT ATTACH WALL MOUNT BRACKET WHILE IN FREE STANDING MODE.**
- **HANGING: ALWAYS ATTACH WALL MOUNT BRACKET TO WALL AND HANG UNIT BEFORE USE. DO NOT ATTACH PEDESTAL WHILE IN WALL HANGING MODE.**
- The wall mount bracket and pedestal are designed **for use ONLY with this product. NEVER** use a wall mount bracket or pedestal from another manufacturer.
- Use **extreme caution** if using this heater **near children**, or where children may be present.
- **NEVER** leave this heater unattended. **ALWAYS** unplug this heater when not in use.
- This heater is **hot** when **in use. AVOID INJURY! DO NOT TOUCH hot surfaces, or attempt to move this heater while it is hot.**
- **ALWAYS** turn this heater off before unplugging it from the outlet.
- **AVOID INJURY!** Keep the cord from crossing traffic areas to avoid tripping.
- **NEVER modify this fireplace.** Doing so could result in personal injury or property damage. Modification of this fireplace **completely voids all warranties.**
- **Discontinue use** if this fireplace **malfunctions** or is **dropped or damaged in any manner.**



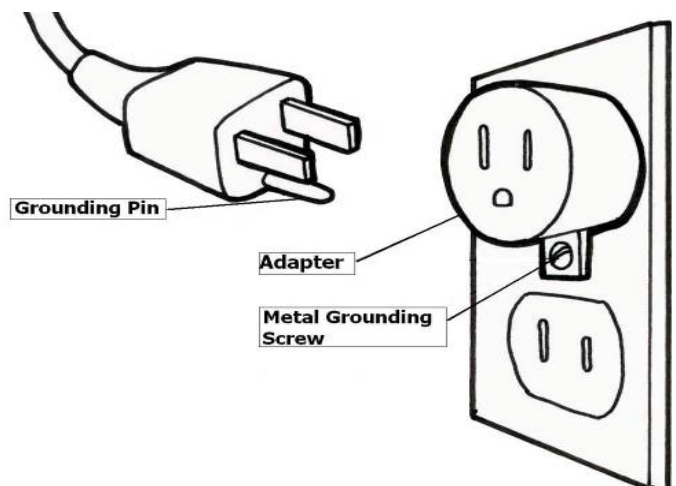
WARNING



- **Risk of electric shock! DO NOT OPEN!** No user-serviceable parts inside!
- **ALWAYS disconnect** this unit from the **power supply before** performing any assembly or cleaning, or before relocating the electric fireplace.
- **ALWAYS** store this heater in a dry location. **NEVER** use the fireplace if it has become wet.
- **NEVER** use this heater in **bathrooms, laundry rooms**, or any other location where the heater could fall into a **bathtub or pool, become damp or come in contact with water**.
- **NEVER** hang this unit on a wall **directly below an electrical outlet**.
- **NEVER** operate this heater if the **power cord or plug** has become **damaged**, or if the **grounding pin** is **damaged or missing**.
- Place the heater near a wall outlet so an extension cord is not needed. If an extension cord is needed, the **gauge** of the cord **must be at least 14AWG**, and the **rating must be at least 1875 Watts**. **NEVER** use a **smaller gauge** cord with a **lower rating**. Doing so may result in **fire or electric shock**.
- **ONLY** use this heater on a **110~120 Volt 15 Amp grounded circuit**. **NEVER overload the circuit**. If this heater trips the circuit breaker, unplug all other appliances on the same circuit before the next use. Avoid plugging other appliances into the same circuit as this heater.
- **NEVER** plug this heater into an outlet that is **old, cracked**, or has any **loose wires or connections**. Plugging this heater into a faulty outlet could result in **electric arcing** within the outlet that could cause the **outlet to overheat or catch fire**.
- **ALWAYS** check your heater cord and plug connections with **each use!**
 - i) **MAKE SURE** the plug fits tight in the outlet! Faulty wall outlet connections or loose plugs can cause the outlet to overheat.
 - ii) **Heaters draw more current** than small appliances. **Overheating** may occur even if it has not occurred with the use of other appliances.
 - iii) During use **check frequently** to see if the **plug outlet or faceplate is HOT!**
 - iv) If the outlet or faceplate is **HOT**, **discontinue use immediately** and have a qualified electrician inspect and/or replace the faulty outlets.

- The power cord supplied with the heater has three prongs: two flat blades (live and neutral) and one round pin (ground). If a 3-slot receptacle is not available, an adapter **MUST** be used. The adapter **MUST** be **properly grounded** to the outlet box (see figure at right).

[NOTE: The adapter is NOT INCLUDED.]



PREPARATION



This carton includes **GLASS! ALWAYS** use **extreme caution** when handling **glass**. Failure to do so could result in **personal injury** or **property damage**.

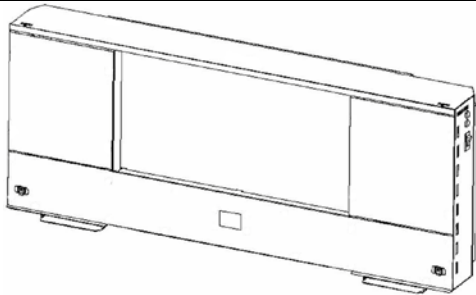
Remove all parts and hardware from the carton and place them on a clean, soft, dry surface. Parts and assembly steps are grouped for free-standing or wall-hanging use. Check the parts list to make sure nothing is missing. Dispose of packaging materials properly. Please recycle whenever possible.

Free-Standing Mode: You will need Part A, Part B, Box 1, Box 2, Box 3, Box 4, and the following tools (not included): Phillips screwdriver.

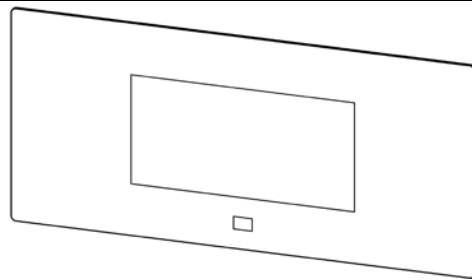
Wall-Hanging Mode (Drywall installation only): You will need Part A, Part B, Part C, Part 6, Box 1, Box 2, Box 5, and the following tools (not included): Phillips screwdriver; stud finder; level; tape measure; electric drill; 1/16" wood drill bit.

Concrete walls: DO NOT use these anchors. Consult a professional for proper anchoring methods.

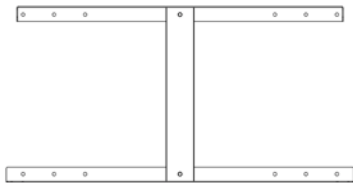
PARTS AND HARDWARE



A – Firebox (1)



B – Front Glass Panel (1)

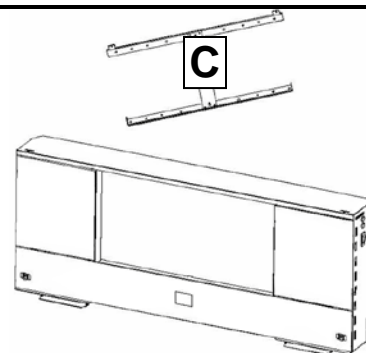
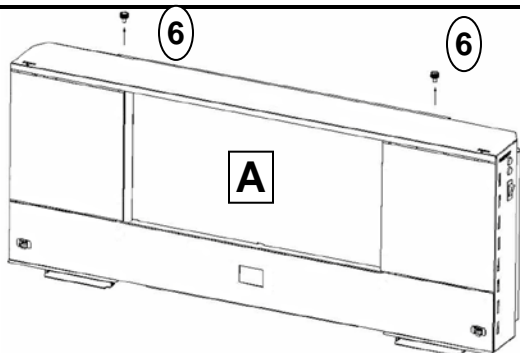


C – Wall Mount Bracket (1)

NOTE: The wall mount bracket (C) is attached to the back of the firebox (A) by two thumb screws (6).



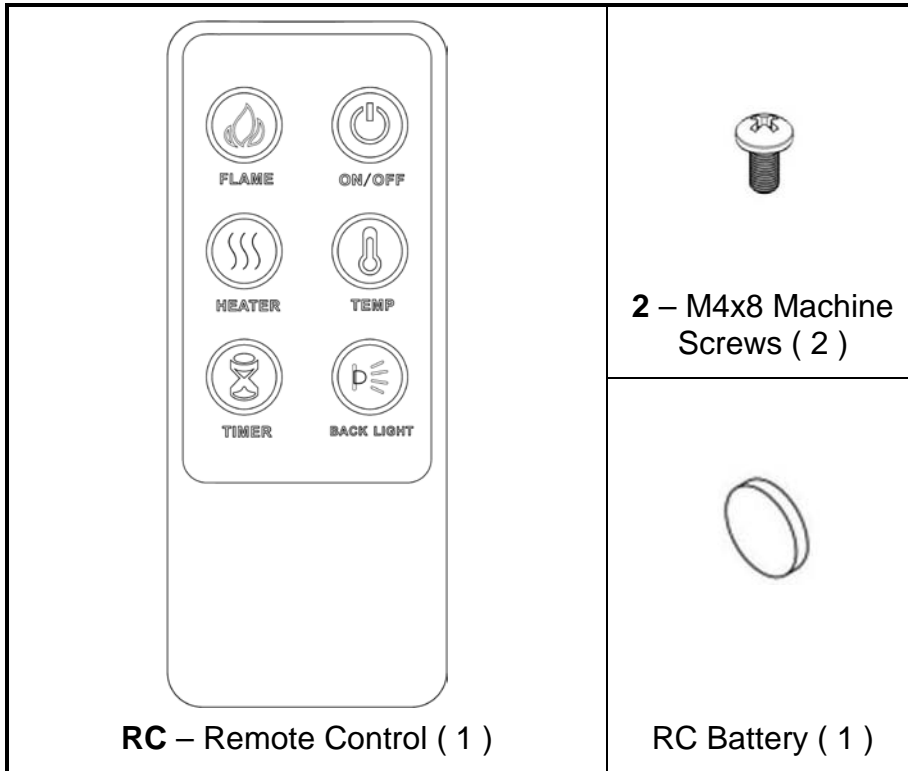
6 – Thumb Screws (2)



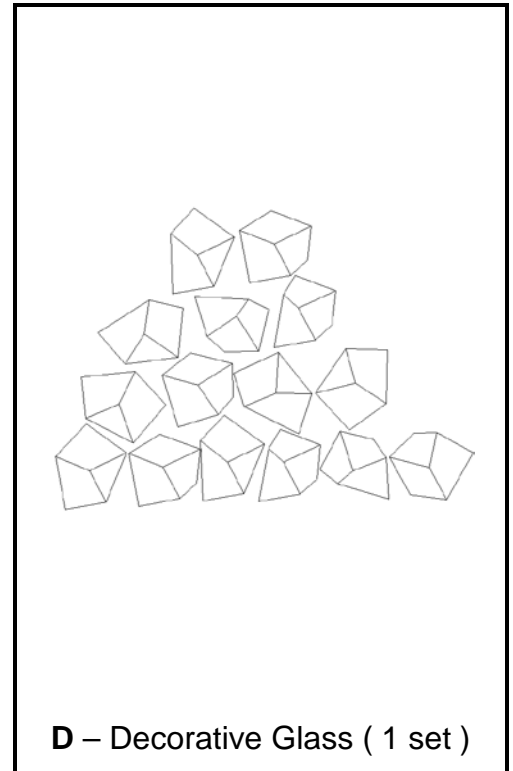
NOTE: Unscrew both thumbscrews (6) from the top of the firebox (A). **KEEP** the thumb screws. Remove the wall mount bracket (C) from the firebox whether you will use the unit in free-standing or wall-hanging mode.

PARTS & HARDWARE - GENERAL

Box 1 – Remote Control & Machine Screws

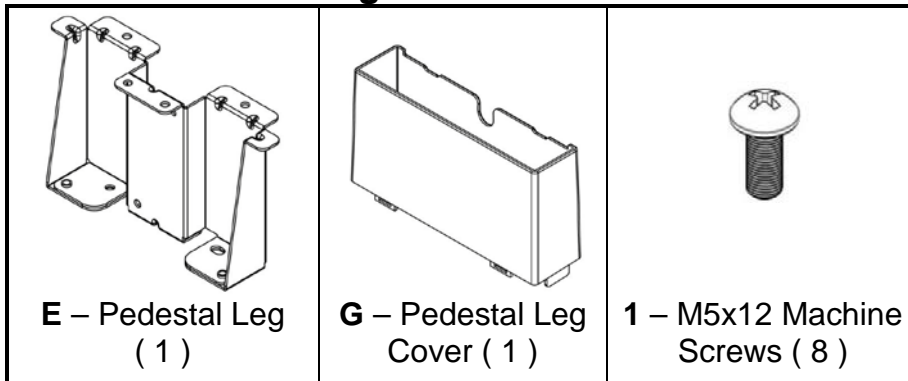


Box 2 – Decorative Glass

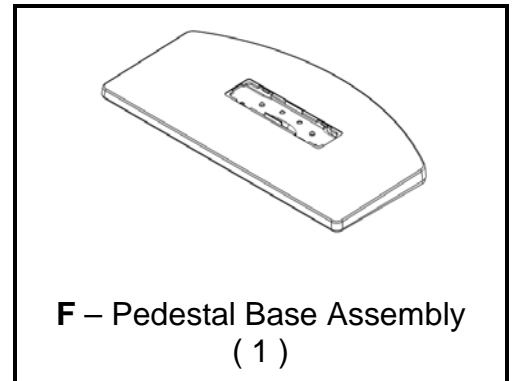


PARTS & HARDWARE: FREE-STANDING MODE

Box 3 – Pedestal Leg Parts and Hardware

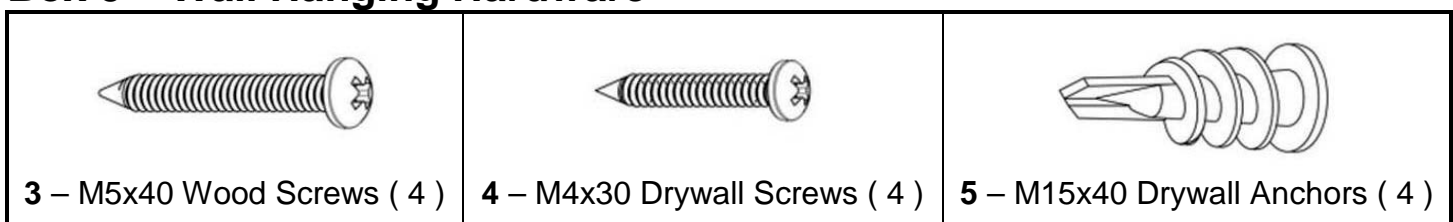


Box 4 – Pedestal Base



PARTS & HARDWARE: WALL-HANGING MODE

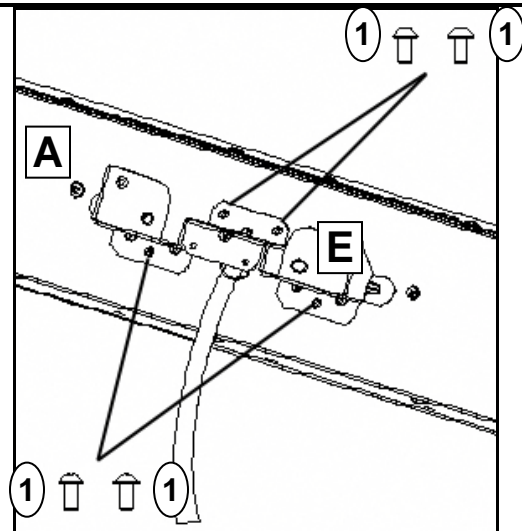
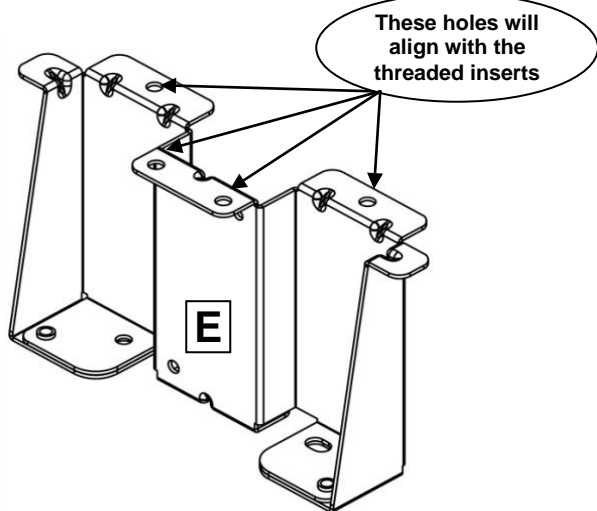
Box 5 – Wall Hanging Hardware



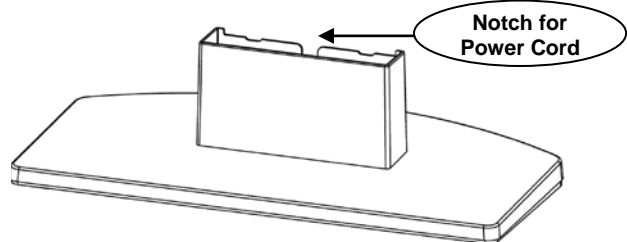
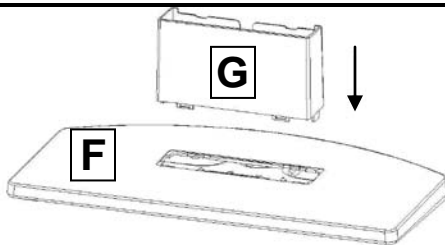
ASSEMBLY: FREE-STANDING MODE



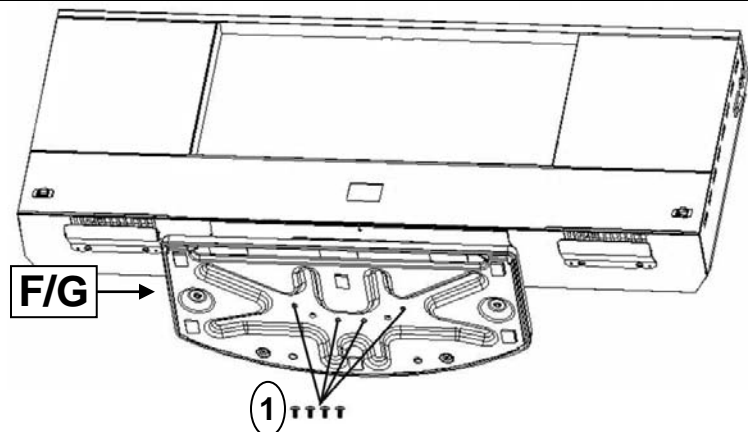
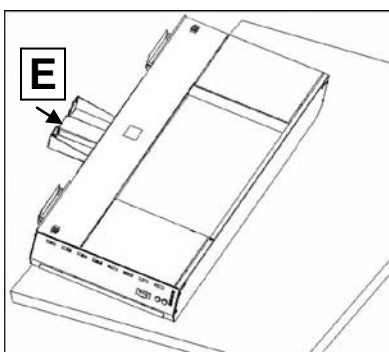
ALWAYS unplug this fireplace heater **before** assembly or cleaning, or **before** relocating. Failure to do so could result in **electric shock, fire, or personal injury.**



STEP 1. Lay the firebox (A) on its back. Align the holes in the pedestal leg (E) with the threaded inserts in the firebox. Thread one M5x12 machine screw (1) through each hole in the pedestal leg and into the threaded inserts. Check the leg alignment. Tighten securely with a Phillips screwdriver.



STEP 2. Press the pedestal leg cover (G) into the pedestal base assembly (F). Snap into place.



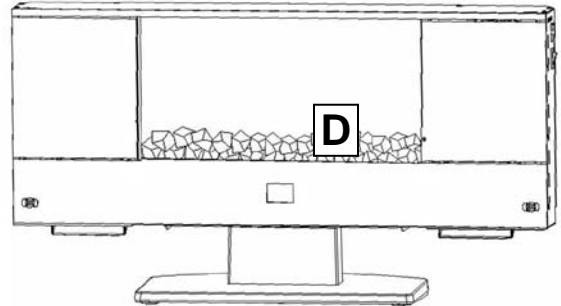
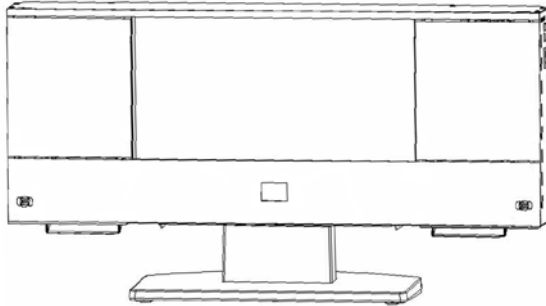
STEP 3. Lay the firebox on its back so the pedestal leg (E) hangs over the edge of a table. Or, have an adult helper lift the bottom edge of the firebox. Slide the pedestal leg cover and base (F/G) over the pedestal leg (E). Make sure the power supply cord comes out from the notch in the pedestal leg cover. Thread one M5x12 machine screw (1) through each hole in the pedestal base, into the threaded holes in the pedestal leg. Tighten securely with a Phillips screwdriver.



The next step requires handling of small **GLASS** pieces! **ALWAYS** use **extreme caution** when handling **glass**. Failure to do so could cause **personal injury** or **property damage**.



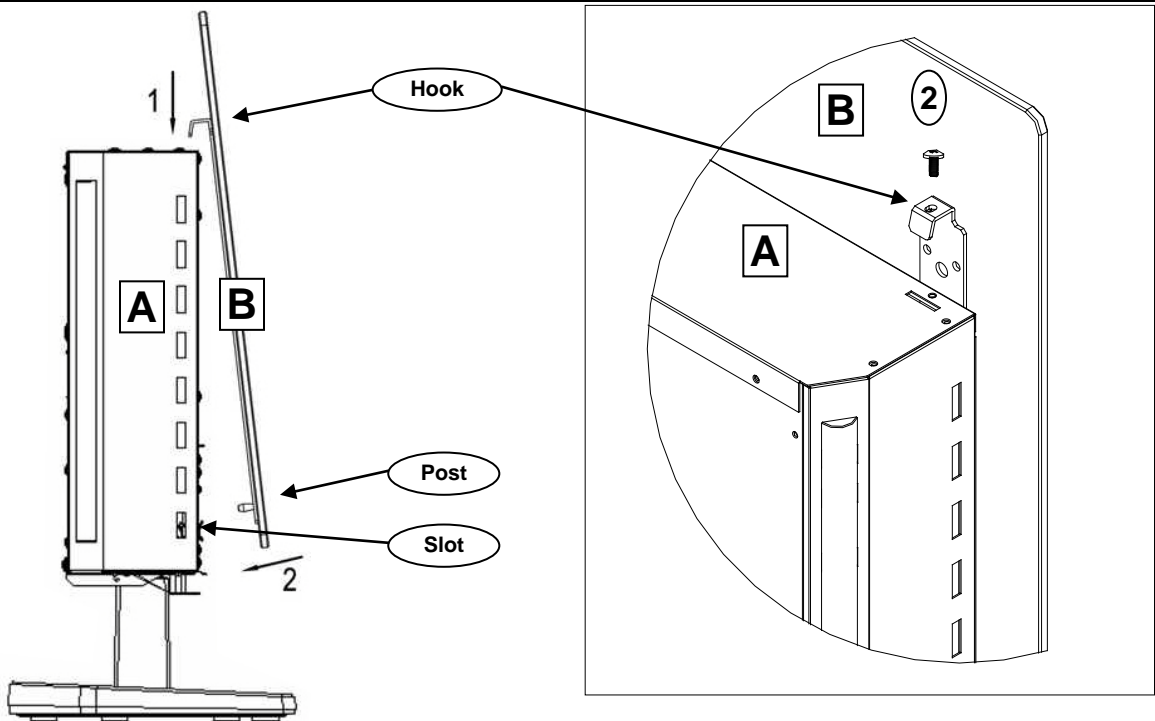
ALWAYS keep these glass pieces **OUT OF REACH OF CHILDREN!** Leave **no pieces** where children can find them. Failure to do so could result in a **choking hazard**.



STEP 4. Stand the fireplace up and set it on a sturdy level surface at or near where you plan to use it. Carefully arrange the decorative glass (D) along the inset window ledge at the front of the firebox. Use care when relocating the fireplace to prevent the decorative glass from falling out.

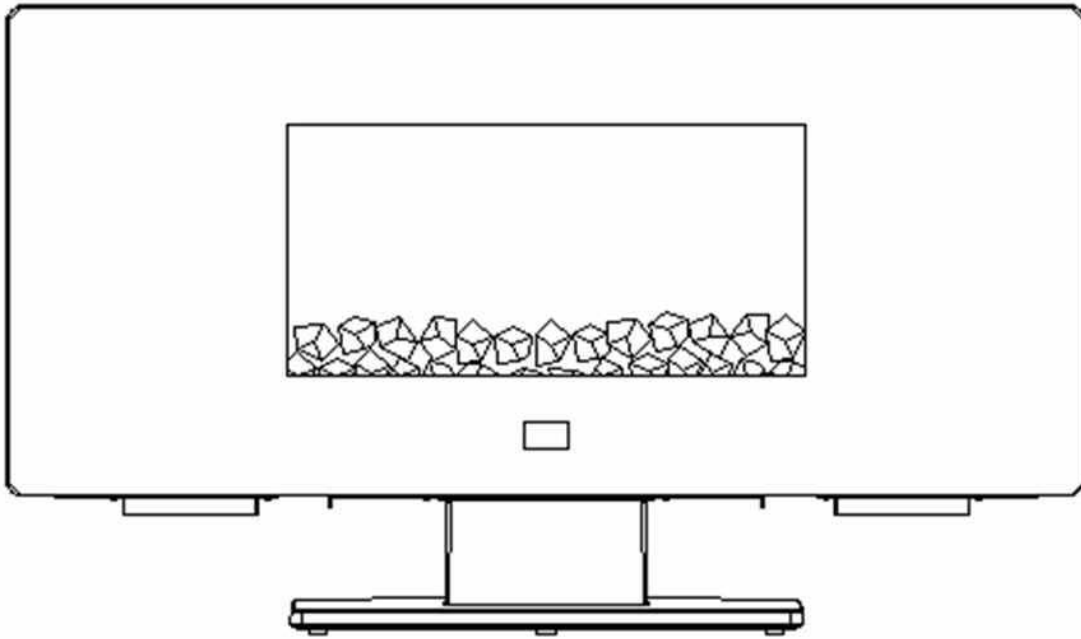


The next step requires installation of a **GLASS** panel! The manufacturer recommends that two adults install the glass panel. Always use **extreme caution** when handling **glass**. Failure to do so could result in **personal injury** or **property damage**.

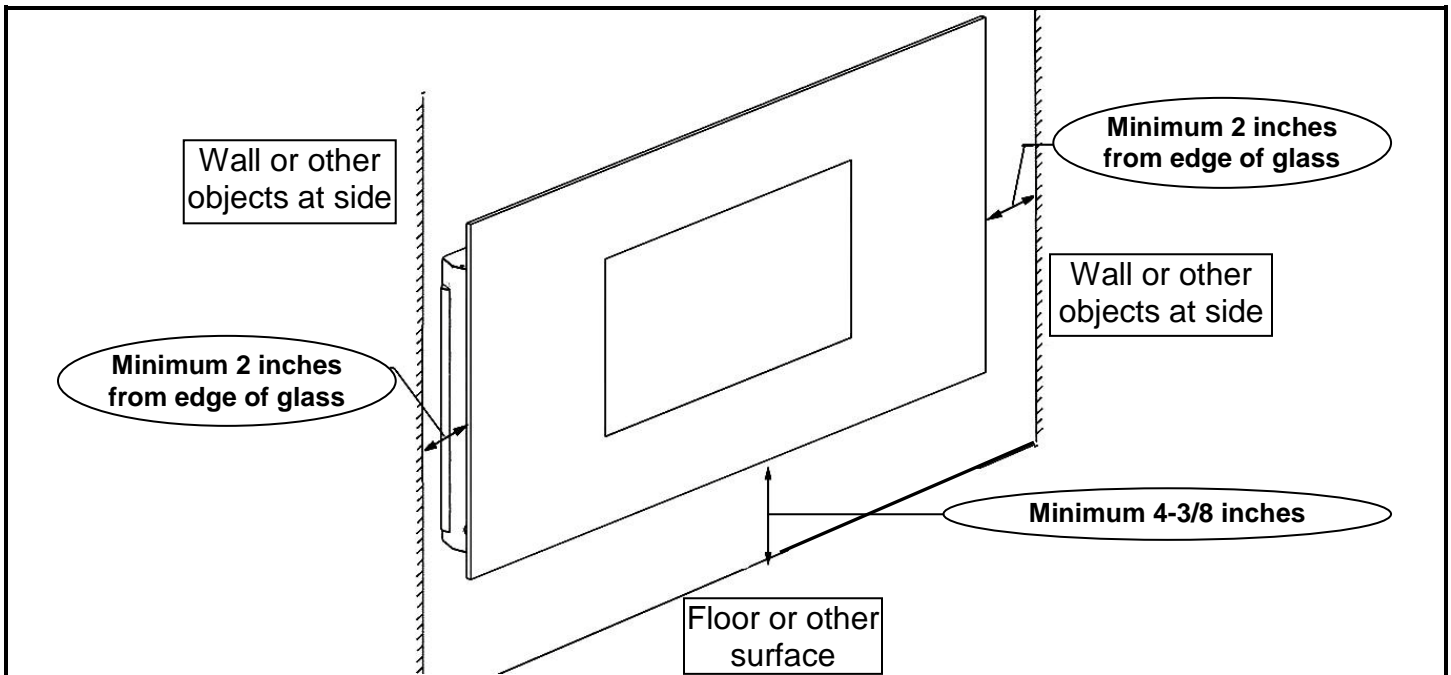


STEP 5. 1. Carefully set both hooks of the front glass panel (B) into the slots at the top front edge of the firebox (A). 2. Press the two posts of the glass panel into the locking slots near the lower corners of the front firebox panel. **NOTE: Make sure the posts click into the slots.** This will keep the decorative glass in place. 3. Thread the M4x8 machine screws (2) through the glass panel hooks and into the threaded holes in the firebox. Partially tighten by hand. Check the alignment of the glass panel and securely tighten the screws with a Phillips screwdriver.

Free-Standing Mode: Fully Assembled



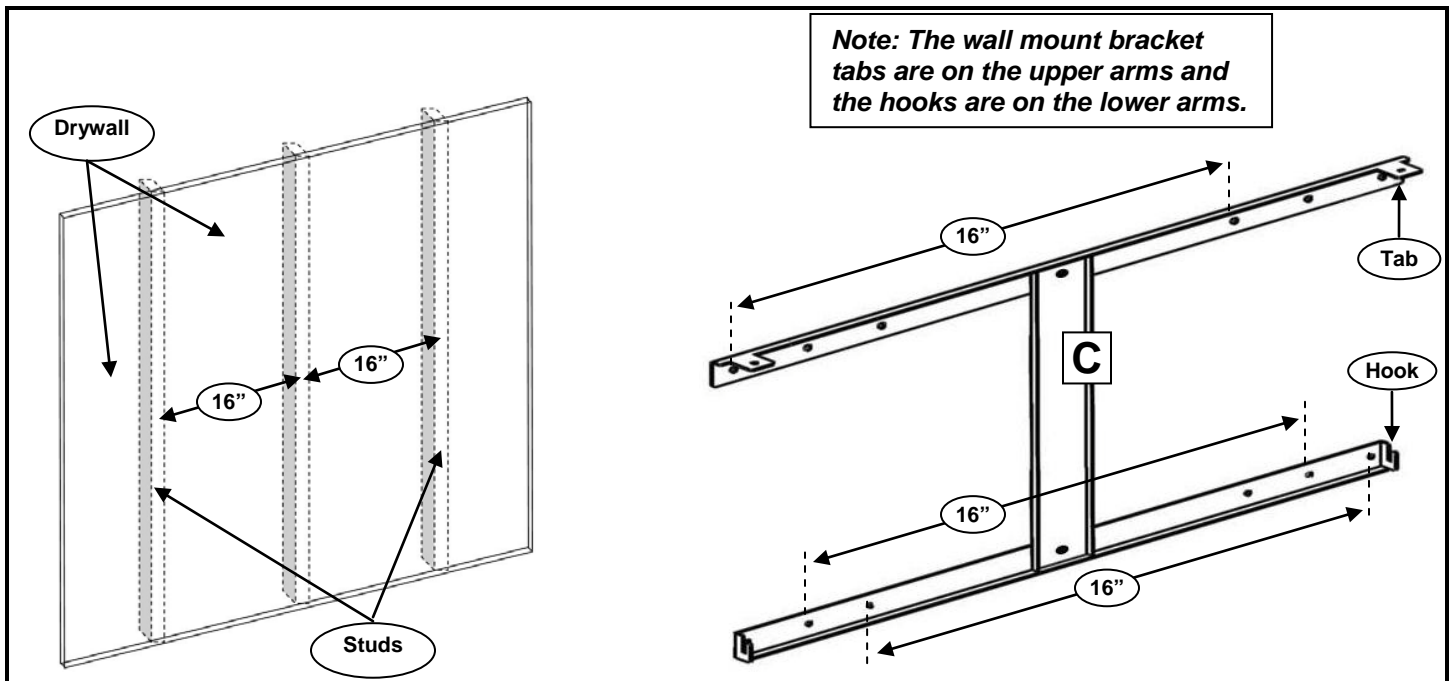
ASSEMBLY: WALL-HANGING MODE



STEP 1. Find a safe location. Minimum clearance on each side must be at least 2 inches (50mm); minimum clearance from the floor must be at least 4-3/8 inches (11.1 cm); minimum clearance from the front must be at least 3 feet (90 cm). Choose a location near an outlet so an extension cord is not required. **DO NOT** position the unit directly below a power outlet. **See Safety Information on pages 3 and 4 for more warnings about placement, installation, and use of this product.**

NOTICE

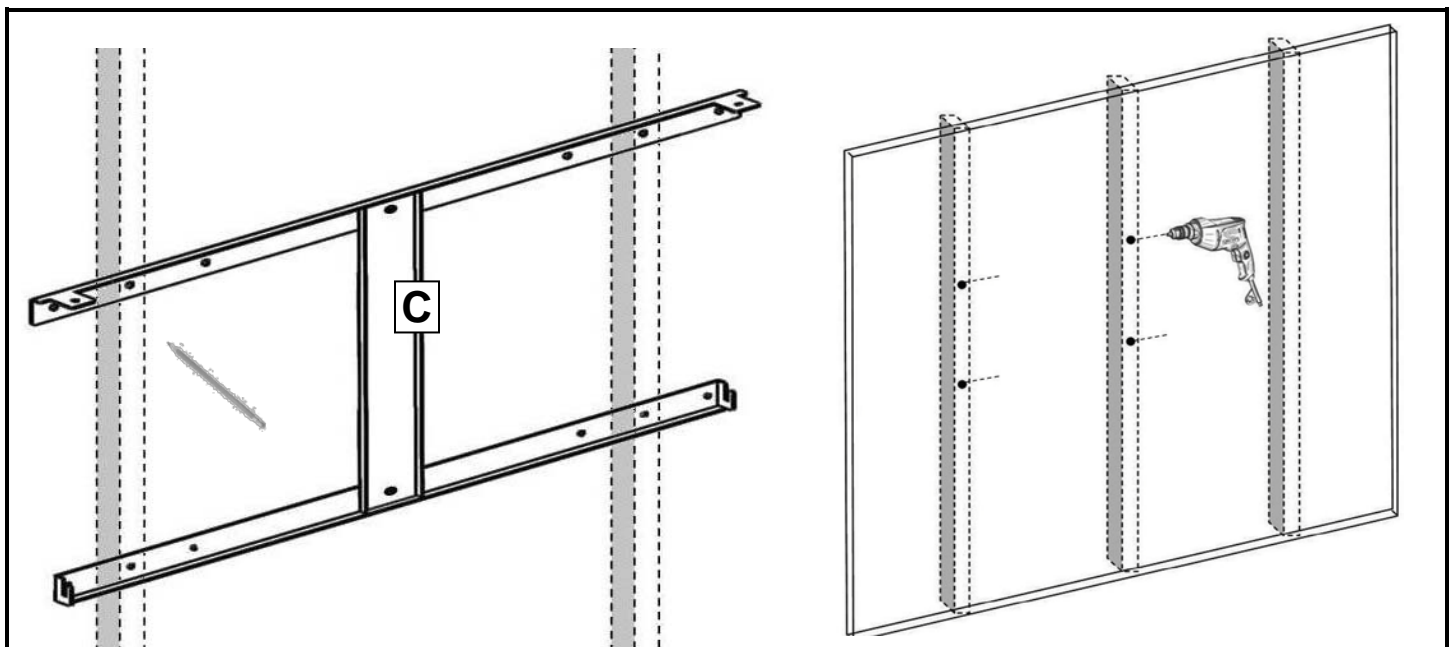
The wall mount fasteners included with this fireplace are for use **ONLY** with a wood-framed wall covered in drywall (sheet rock). For concrete walls, cinder blocks, or other wall types, consult a professional for the best attachment methods.



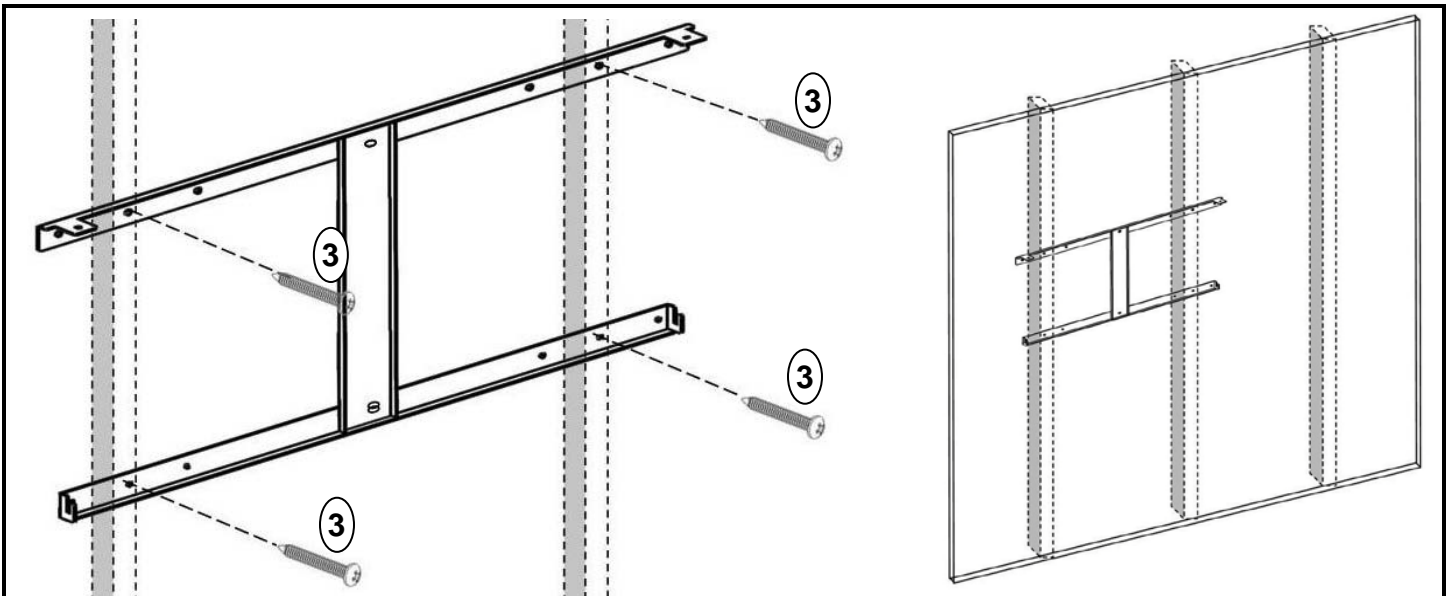
STEP 3. Locate the wall studs using an electronic stud-finder. Studs are spaced 16" apart as measured from the center of each stud. The holes in the mounting bracket (C) will align with the wall studs. The end of each arm has a set of three holes. Select one set of holes (left, center, or right) when attaching the mounting bracket to the wall. There are also two holes on the center post.



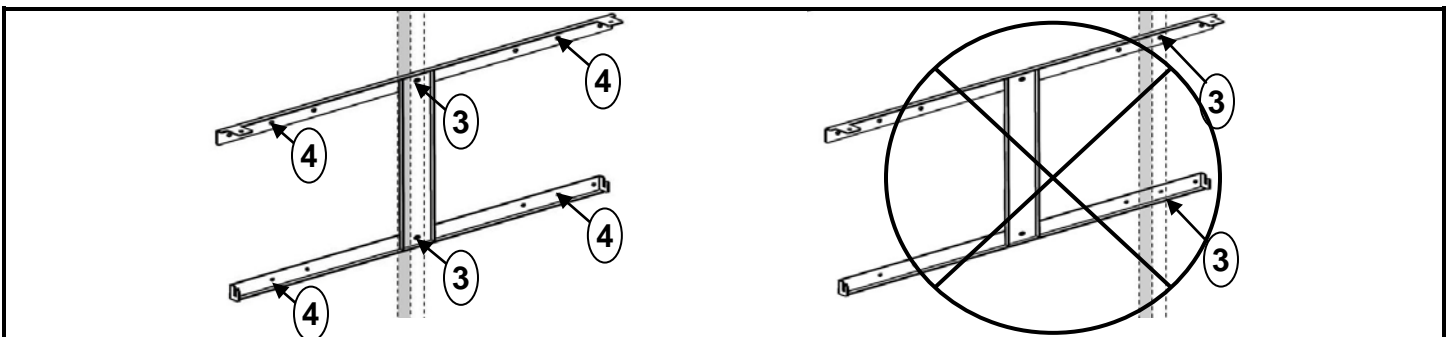
AVOID INJURY and DAMAGE! Four screws should be screwed **directly into wall studs**. If that is not possible, at least two screws must be screwed directly into wall studs, **AND four additional screws must also be screwed into the drywall anchors.**



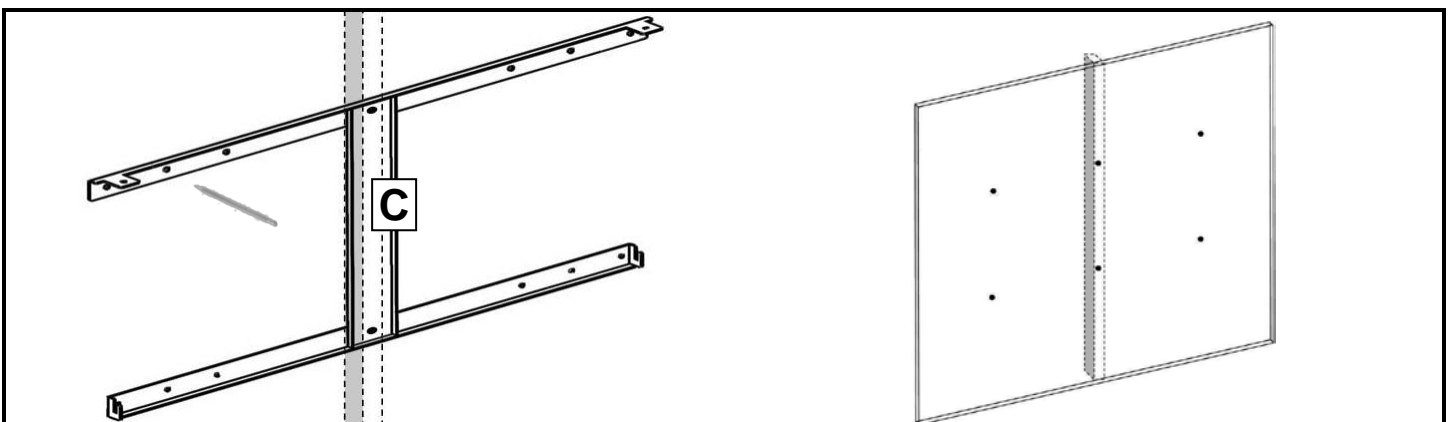
STEP 4. Position the wall mount bracket (C) over the wall studs. Level the mounting bracket and mark the four holes with a pencil. Set the wall mount bracket aside. Drill a pilot hole at each marked point using a 1/16" wood drill bit. Make sure each hole goes into a wall stud.



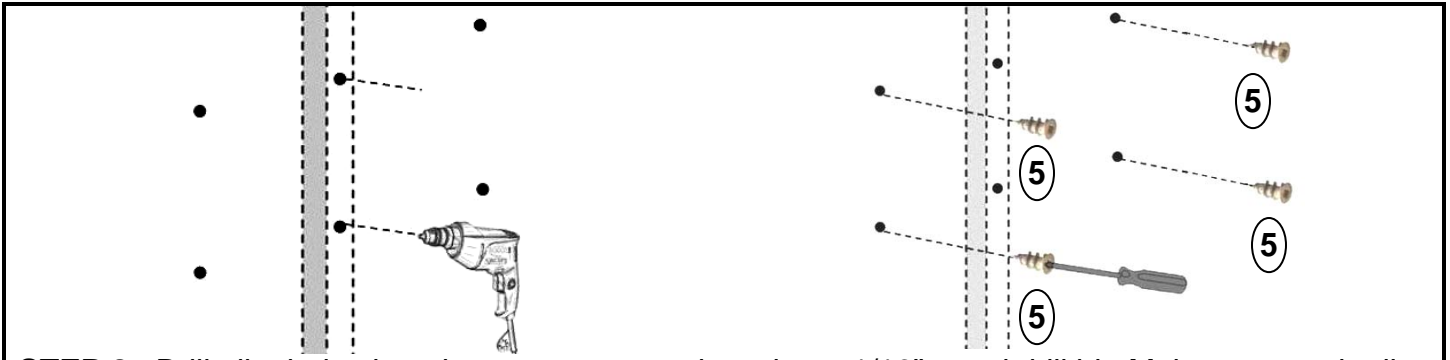
STEP 5. Thread one M5x40 wood screw (3) through the bracket, into the pilot hole, and **into the stud**. Partially tighten. Make sure the bracket is level. Thread the remaining three M5x40 wood screws into the other three holes. Check the alignment and tighten each screw securely with the Phillips screwdriver. Check each screw to make sure it is tight, and that the bracket is secure.



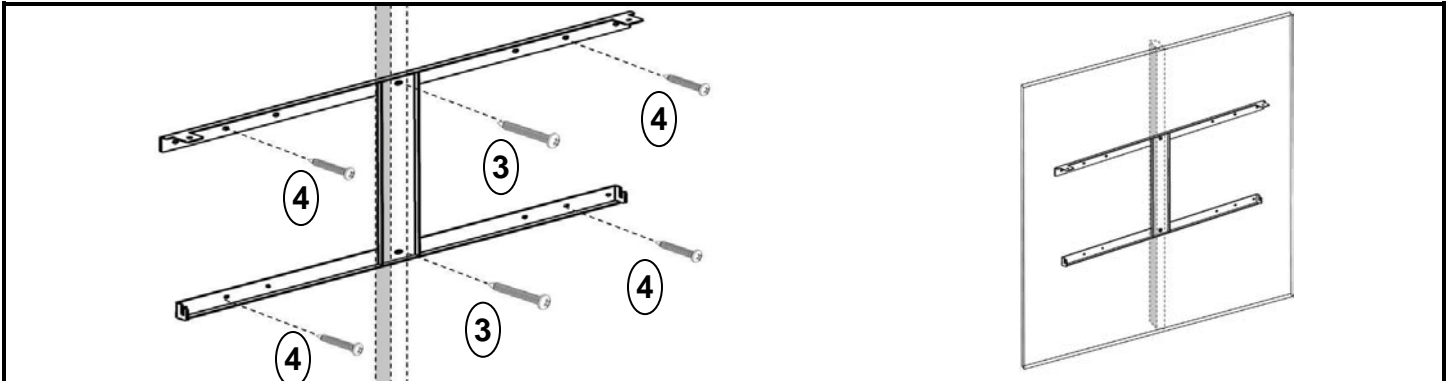
STEP 6. If only one wall stud is available, the wall mount bracket must be secured to the wall with **two M5x40 wood screws (3) through the two center post holes AND four M4x30 drywall screws (4) through one other set of bracket holes**. **DO NOT** attach the wall mount bracket to the wall studs with one of the outer sets of holes as the bracket will not be stable. Use the center holes.




STEP 7. Center the wall mount bracket (C) over the wall stud. Level the mounting bracket and mark the two center post holes with a pencil. Mark the four outer holes for the drywall anchors. Set the wall mount bracket aside until STEP 8.

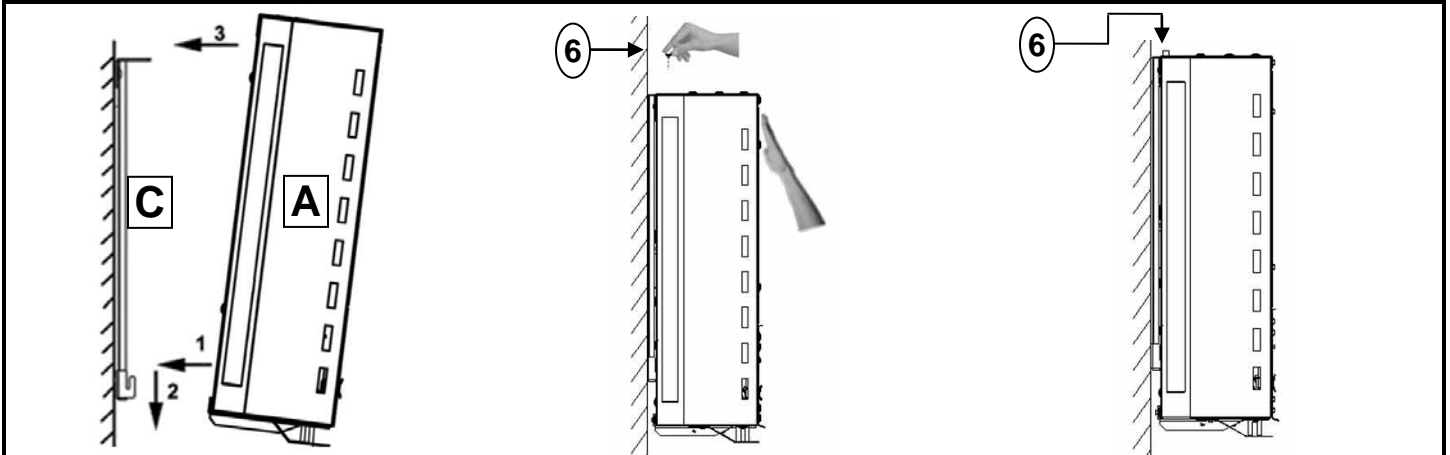


STEP 8. Drill pilot holes into the two center marks using a 1/16" wood drill bit. Make sure each pilot hole is drilled directly into a wall stud. Next, use a Phillips screwdriver to screw the four drywall anchors (5) into the drywall until they are flush with the surface. **DO NOT OVERTIGHTEN.**



STEP 9. Thread the two M5x40 wood screws (3) through the center post holes, into the pilot holes, and **into the wall stud**. Partially tighten. Make sure the bracket is level. Thread the four M4x30 drywall anchor screws (4) through the wall mount bracket and into drywall anchors. **DO NOT OVER-TIGHTEN!** This may loosen the anchors or damage the drywall. Check the alignment and tighten each screw securely with a Phillips screwdriver. Be sure the bracket is secure.

 **ALWAYS unplug** this fireplace heater **before assembly** or **cleaning**, or **before relocating**. Failure to do so could result in **electric shock**, **fire**, or **personal injury**.



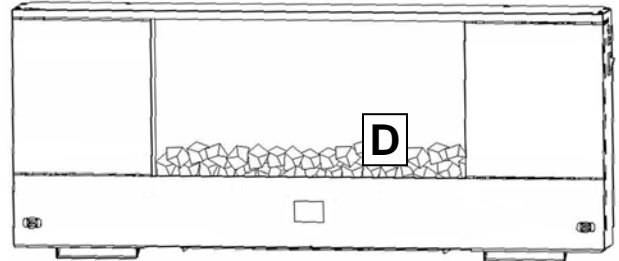
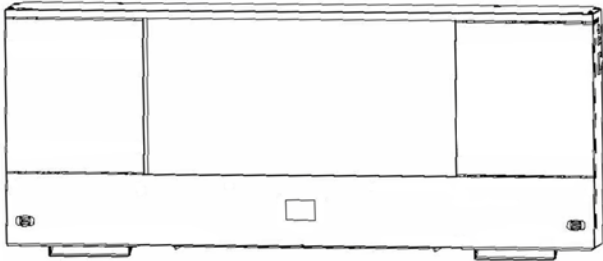
STEP 10. With the firebox (A) at an angle, fit the slots in the back of firebox (A) over the hooks on the wall mount bracket (C), and carefully press the top of the firebox against the wall mount bracket. The slots at the top edge of the firebox should slide over the wall mount bracket tabs. Hold the firebox in place and thread the thumb screws (6) through the holes in the firebox and into the wall mount bracket tabs. Tighten both thumb screws and make sure the firebox is secure to the wall.



The next step requires handling of small **GLASS** pieces! **ALWAYS** use **extreme caution** when handling **glass**. Failure to do so could cause **personal injury** or **property damage**.



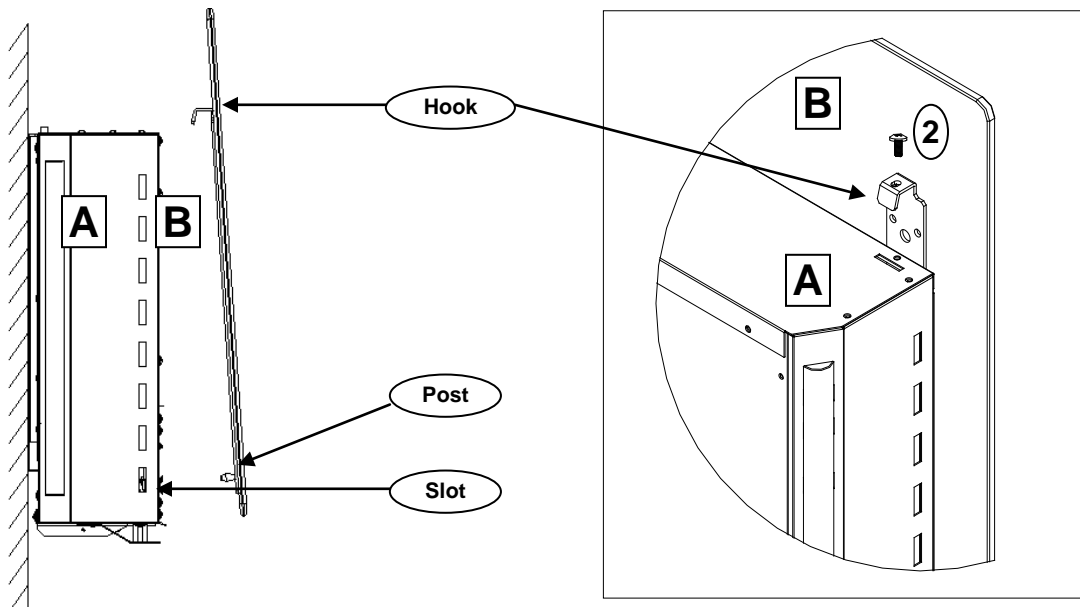
ALWAYS keep these small glass pieces **OUT OF THE REACH OF CHILDREN!** **NEVER** leave these small glass pieces where children can find them. Failure to do so could cause a **choking hazard**.



STEP 11. Carefully arrange the decorative glass (D) along the inset window ledge at the front of the firebox. Use care when relocating the fireplace to prevent the decorative glass from falling out.

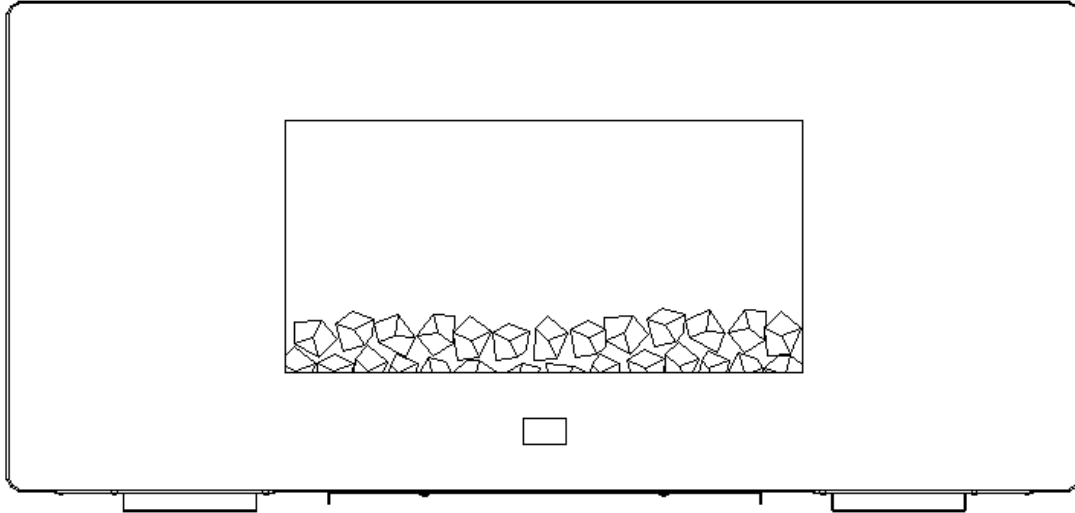


The next step requires installation of a **GLASS** panel! The manufacturer recommends that two adults install the glass panel. Always use **extreme caution** when handling **glass**. Failure to do so could result in **personal injury** or **property damage**.



STEP 12. Set both hooks of the front glass panel (B) into the slots at the top front edge of the firebox (A). Press the two posts of the glass panel into the locking slots near the lower corners of the front firebox panel. **NOTE: Make sure the posts click into the slots.** This will keep the decorative glass in place. 3. Thread one M4x8 machine screw (2) through each glass panel hook and into the threaded hole in the firebox. Partially tighten by hand. Check the alignment of the glass panel and securely tighten the screws with a Phillips screwdriver.

Wall-Hanging Mode: Fully Assembled



FCC STATEMENT / BATTERY INFORMATION

Remote Control FCC Information

A diagram of a remote control button layout. It consists of six circular buttons arranged in a 3x2 grid. The top row contains a flame icon labeled 'FLAME' and a power icon labeled 'ON/OFF'. The middle row contains a wavy line icon labeled 'HEATER' and a thermometer icon labeled 'TEMP'. The bottom row contains an hourglass icon labeled 'TIMER' and a hand icon labeled 'BACK LIGHT'.

NOTE: This equipment has been tested and found to comply with the limits for Class B digital device, pursuant to part 15 of the FCC Rules. These limits are designed to provide reasonable protection against harmful interference in a residential installation. This equipment generates, uses, and can radiate radio frequency energy and, if not installed and used in accordance with the instructions, may cause harmful interference to radio or television reception, which can be determined by turning the equipment off and on, the user is encouraged to try to correct the interference by one or more of the following measures:

- Reorient or relocate the receiving antenna.
- Increase the separation between the equipment and the receiver.
- Connect the equipment into an outlet on a circuit different from that to which the receiver is connected.
- Consult the dealer or an experienced radio/TV technician for help.

This device complies with Part 15 of the FCC Rules. Operation is subject to the following two conditions:

- (1) This device may not cause harmful interference, and
- (2) This device must accept any interference received, including interference that may cause undesired operation.

Modifications not approved by the party responsible for compliance could void user's authority to operate the equipment. This Class B digital apparatus complies with Canadian ICES-003.

Remote Control Battery

- This remote control uses one **CR2032 Lithium-ion 3 volt button cell battery** (included).
- Instructions for battery installation are inside the Remote Control battery compartment.
- Always replace the battery in the remote control with the same type of battery.



NEVER dispose of batteries in **fire**. Failure to observe this precaution **may result in an explosion**. Dispose of batteries at your local hazardous material processing center.

OPERATION



Read and understand this entire owner's manual, including **all safety information**, **before plugging in** or **using** this product. Failure to do so could result in **electric shock, fire, serious injury, or death**.

Power

Make sure the ON/OFF switch, located on the control panel, is in the OFF position. Plug the power cord into a 110~120 Volt 15 Amp grounded outlet (see **IMPORTANT SAFETY INFORMATION** on **Pages 3 and 4**). Make sure the outlet is in good condition and that the plug is not loose. **NEVER** exceed the maximum amperage for the circuit. **DO NOT** plug other appliances into the same circuit.

Temperature Limiting Control

This heater is equipped with a Temperature Limiting Control. Should the heater reach an unsafe temperature (212°F / 100°C), the heater will automatically turn off. To reset:

1. Unplug the power cord from the outlet.
2. Turn the ON/OFF switch on the CONTROL PANEL to off. **Wait at least 5 minutes**.
3. Inspect the fireplace to make sure no vents are blocked, or clogged with dust or lint. If they are, use a vacuum to clean the vent areas.
4. With the ON/OFF switch in the OFF position, plug the power cord back into the outlet.
5. If it switches off again, **UNPLUG THE HEATER RIGHT AWAY!** Have the outlets, wiring, and breaker box inspected by a professional. Make necessary repairs before using the heater.

Heater Rating

Maximum Heat Output: 1350 W (4600 BTU); Maximum Heating Area: 400 square feet

Methods of Operation

CONTROL PANEL: Located on the right side panel of the fireplace (see figure below). Controls ON/OFF, FLAME EFFECT, LED BACKLIGHTS, and HEATER.

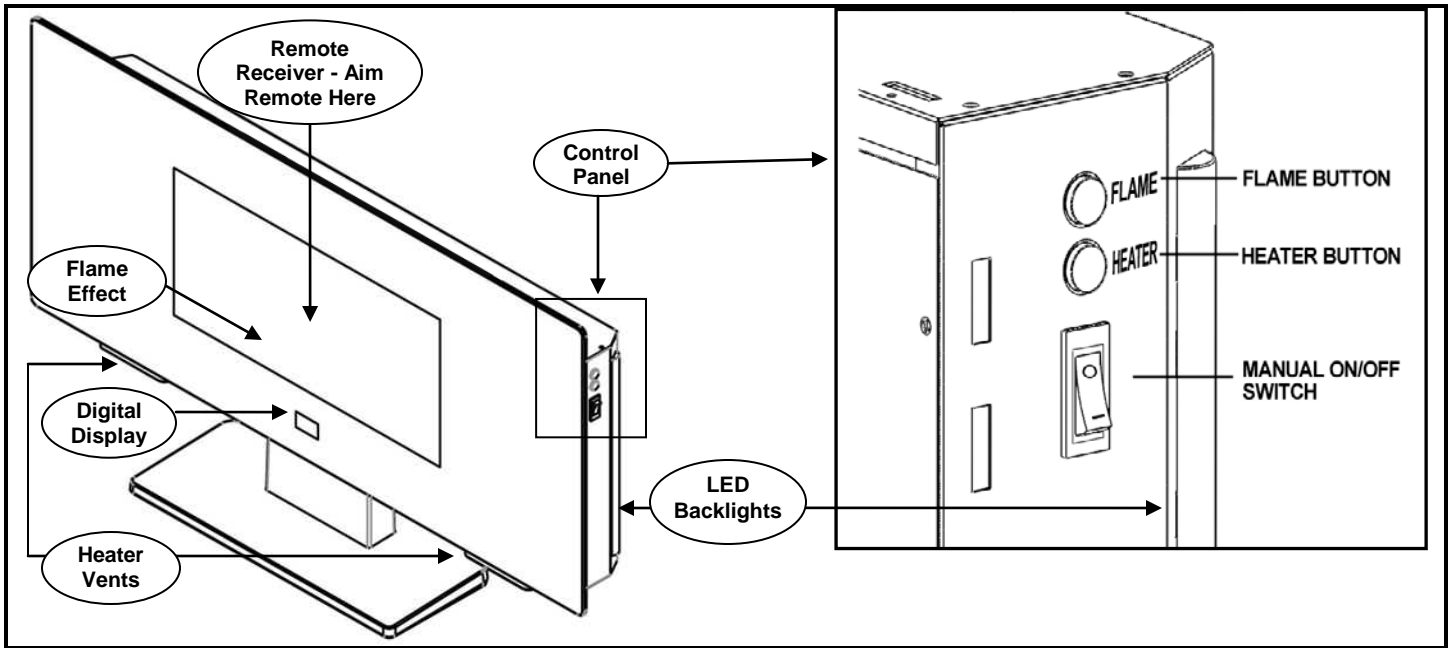
REMOTE CONTROL (Battery included):

Controls FLAME EFFECT, LED BACKLIGHTS, HEATER, THERMOSTAT, and TIMER.


Review the **IMPORTANT SAFETY INFORMATION** on **Pages 3 and 4** before operating.

NOTICE

When the heater is first turned on, a slight odor may be present. This is normal and should not occur again unless the heater is not used for a long period of time.












Control Panel

BUTTON	FUNCTION	ACTION & INDICATION
ON/OFF	<p>ON: Enables control panel functions and remote control.</p> <p>OFF: Disables control panel functions and remote control.</p>	<ol style="list-style-type: none"> Press ON. The unit beeps. Power turns on, and all functions are enabled. Press OFF. The unit beeps. Power and all functions turn off.
FLAME	<p>FLAME button: Controls flame effect and LED backlights (Yellow and Blue).</p> <p>NOTE: The flame effect stays on until the ON/OFF button is turned off.</p> <p>NOTE: The flame effect must be on for the heater to turn on.</p>	<ol style="list-style-type: none"> Press once. Beep. Flame effect: High. Press again. Beep. Flame effect: Med. Press again. Beep. Flame effect: Low. Press again. Beep. Yellow backlight. Press again. Beep. Blue backlight. Press again. Beep. Backlights turn off. The flame effect returns to high.
HEATER	<p>HEATER button: Turns heater on and off.</p> <p>NOTE: The heater only works when the flame effect is on. If the flame effect is off, the heater will not turn on.</p> <p>NOTE: To prevent overheating, the heater fans will blow cool air for 8-10 seconds before the heater turns on, and after the heater turns off.</p> <p>NOTE: Thermostat settings are controlled by the REMOTE CONTROL (see Page 17).</p>	<ol style="list-style-type: none"> Press once. Beep.  appears in the digital display for 10 seconds. The fan blows cool air for 8-10 seconds. The heater turns on and blows hot air. Press again. Beep. The digital display stays dark. The heater turns off. The fan blows cool air for 10 seconds to allow the heater to cool down. The fan then turns off.

NOTICE

To improve operation, **aim** the remote control at the **remote receiver**, and **DO NOT press the buttons too quickly**. Give the unit time to respond to each command.

Remote Control (Control panel ON/OFF switch must be ON to use remote control.)

BUTTON	FUNCTION	ACTION & INDICATION
 ON/OFF	<p>ON: Turns on flame effect and enables all remote control functions.</p> <p>OFF: Turns off flame effect and disables all remote control functions.</p>	<ol style="list-style-type: none"> Press ON. The unit beeps. The flame effect turns on high. All remote control functions are enabled. Press OFF. The unit beeps. The flame effect and all functions turn off.
 FLAME	<p>FLAME button: Controls flame levels.</p> <p>NOTE: Use the ON/OFF button to turn the flame effect off.</p> <p>NOTE: The flame effect must be on for the heater to turn on.</p>	<ol style="list-style-type: none"> Press once. Beep. Flame effect: High. Press again. Beep. Flame effect: Med. Press again. Beep. Flame effect: Low. Press again. Beep. Flame effect: High.
 HEATER	<p>HEATER button: Turns heater on and off.</p> <p>NOTE: The flame effect must be on for the heater to turn on. If the flame effect is off, the heater will not turn on.</p> <p>NOTE: To prevent overheating, the fan blows cool air for 8-10 seconds before the heater turns on, and after the heater turns off.</p>	<ol style="list-style-type: none"> Press once. Beep.  appears in the digital display for 10 seconds. The fan blows cool air for 8-10 seconds. The heater turns on and blows hot air. Press again. Beep. The digital display stays dark. The heater turns off. The fan blows cool air for 10 seconds. The fan then turns off.
 TEMP	<p>TEMP button: Sets thermostat.</p> <p>Thermostat: Automatically <u>turns the heater on and off</u> to maintain the temperature. If set below room temperature, the heater will not turn on.</p> <p>NOTE: The thermostat only works when the heater is on.</p> <p>NOTE: Press the heater button to override the thermostat. The thermostat will turn off. The heater will now be controlled by the heater button.</p> <p>Press TEMP to restart the thermostat.</p>	<ol style="list-style-type: none"> With the heater ON, Press once.  appears in the digital display for 10 seconds. The heater will stay on. Press again. Beep. 60°F appears in the digital display for 10 seconds. Press again. Beep. 62°F appears in the digital display for 10 seconds. -13. Press again. Beeps. Temperature settings increase by 2°F up to 82°F. 14. Press again. Beep. Thermostat returns to . The heater stays on.
 TIMER	<p>TIMER button: Controls timer settings to turn off fireplace at selected time.</p> <p>Settings are every half-hour from 0.0H up to 5.0 H.</p>	<ol style="list-style-type: none"> Beep. Digital display reads: 0.0H -11. Beeps. Timer settings are shown in the digital display, and increase from 0.5H up to 5.0H. After 5.0H, it returns to 0.0H.
 BACK LIGHT	<p>BACK LIGHT button: Controls LED light strips at rear edges of fireplace.</p> <p>The five settings are OFF, Yellow, Blue, Yellow/Blue, and Alternating Colors.</p> <p>Flame effect remains ON throughout.</p>	<ol style="list-style-type: none"> Press once. Beep. Yellow light. Press again. Beep. Blue light. Press again. Beep. Yellow + Blue lights. Press again. Beep. Alternating colors. Press again. Beep. Backlight turns off.

CARE AND MAINTENANCE



ALWAYS turn the heater **OFF** and **unplug the power cord from the outlet** before cleaning, performing maintenance, or moving this fireplace. Failure to do so could result in **electric shock, fire, or personal injury**.

Cleaning



NEVER immerse in water or **spray with water**. Doing so could result in **electric shock, fire, or personal injury**.

Metal:

- Buff using a soft cloth, slightly dampened with a citrus oil-based product.
- **DO NOT** use brass polish or household cleaners as these products will damage the metal trim.

Glass:

- Use a good quality glass cleaner and dry thoroughly with a paper towel or lint-free cloth.
- **NEVER** use abrasive cleansers, liquid sprays, or any cleaner that could scratch the surface.

Plastic:

- Wipe gently with a slightly damp cloth and a mild solution of dish soap and warm water.
- **NEVER** use abrasive cleansers, liquid sprays, or any cleaner that could scratch the surface.

Vents:

- Use a vacuum or duster to remove dust and dirt from the heater and vent areas.
- Clean the exterior of the fireplace with a slightly damp cloth or duster.

Maintenance



Risk of electric shock! DO NOT OPEN! No user-serviceable parts inside!



ALWAYS turn the heater **OFF** and **unplug the power cord from the outlet** before cleaning, performing maintenance, or moving this fireplace. Failure to do so could result in **electric shock, fire, or personal injury**.

Electrical and Moving Parts:

- The fan motors are lubricated at the factory and will not require lubrication.
- Electrical components are integrated in the fireplace and are not serviceable by the consumer.

Storage:

- Store heater in a clean dry place when not in use.

Replacement parts:

- Use only replacement parts supplied by the manufacturer. Use of any other parts, or modifying the fireplace in any way, will void all warranties.
- No internal parts are replaceable or serviceable.



WARNING! No other servicing should be performed by the consumer. Do not attempt to service the unit yourself.

TROUBLESHOOTING GUIDE

PROBLEM	SOLUTION
There is no power to the unit.	<ol style="list-style-type: none"> 1. Make sure the power cord is plugged into a working 120V AC electrical outlet. 2. If the unit had been working, but then turned off by itself, the temperature limiting control may need to be reset. See page 15 for instructions.
The control panel functions do not work.	Make sure the ON/OFF switch on the control panel is turned on.
The FLAME button doesn't work.	Make sure the ON/OFF switch on the control panel is turned on.
The flame effect does not turn off when I press the flame button.	The flame effect stays on until the ON/OFF switch is turned off.
The heater does not work.	<ol style="list-style-type: none"> 1. Make sure the ON/OFF switch on the control panel <u>and the flame effect</u> are both turned on. The heater will not work unless the flame effect is on. 2. Control Panel: Press the heater button on the control panel to override the thermostat at any time. 3. Remote control: Make sure the thermostat is not set too low. If the thermostat is set lower than room temperature, the heater will not turn on.
The heater does not blow hot air when it is first turned on.	The heater fans blow cool air for 8-10 seconds before the heater turns on, and after the heater turns off, to prevent overheating. This is normal.
The remote control does not work.	<ol style="list-style-type: none"> 1. Make sure the battery is properly installed. 2. Make sure the ON/OFF switch on the control panel is turned on. The remote control will not work unless the ON/OFF switch on the control panel is turned on. 3. Remove objects that may be in the way. Aim the remote control at the receiver in the center of the front panel. 4. Don't press the remote control buttons too quickly. Give the unit time to respond to your commands.
The thermostat (TEMP button) does not work.	<ol style="list-style-type: none"> 1. Make sure the heater is turned on. The thermostat will not work unless the heater is turned on. 2. Make sure the thermostat is not set too low. If the thermostat is set lower than room temperature, the heater will turn off. 3. If the thermostat was overridden by the heater button, press the temp button to restart the thermostat.
The digital display turns off or does not work.	The digital display only glows for 10 seconds, then turns off. It does not stay on. Press one of the three remote control buttons (HEATER, TEMP, or TIMER) to see the digital display setting.

LIMITED WARRANTY

This warrants to the original purchaser that this product is free from defects in material and workmanship as of the date of purchase and that it will, under normal use and proper care, remain so for one year from the date of purchase. Missing or initially defective parts will be replaced free of charge during the period of this limited warranty. The original dated sales receipt is required for all warranty claims. This warranty does not cover damage which has occurred during transport from the point of purchase to the consumer's home. This warranty does not cover glass, light bulbs, remote controls, or batteries.

This product is for residential use only. Any and all commercial use of this product voids all warranties, and frees the manufacturer from all liability. Read and understand all assembly and operating instructions, and all safety information and warnings, before use. The following will void this warranty: Damage caused from tampering with, modifying, or altering the fireplace insert in any manner; Damage due to incorrect assembly, improper care, misuse, or abuse; Damage from being used with the wrong power source; Water damage; Damage caused from this insert being used outdoors; Damage caused from this insert being used for excessive periods of time; Damage caused by the insert being used in a commercial application; Damage from use as a primary heat source; Other misuse or abuse not specifically listed herein. **This product is not intended to be used as a primary heat source.**

Vendor Development Group, Inc.(hereafter, VDG), its directors, officers, or agents, will not be liable to the purchaser or any third party, whether in contract, in tort, or on any other basis, for any indirect, special, punitive, exemplary, consequential, or incidental loss, cost, or damage arising out of or in connection with the sale, maintenance, use, or inability to use this product, even if VDG, or its directors, officers, or agents have been advised of the possibility of such losses, costs or damages, or if such losses, costs, or damages are foreseeable. In no event will VDG, or its officers, directors, or agents be liable for any direct losses, costs, or damages that exceed the purchase price of the product. Some states do not allow the exclusion or limitation of incidental or consequential damages, so the above limitation or exclusion may not apply to the purchaser. This limited warranty gives you specific legal rights, and you may also have other rights which vary from state to state.

Thank you for purchasing this product! If you have questions about the assembly or operation of this product, are missing parts, or have defective parts...

PLEASE DO NOT RETURN THIS PRODUCT TO THE STORE!

Instead, please e-mail us at

customerservice@vdgus.com

Or, call us toll-free (M-F 8:30 AM to 4:30 PM Central Standard Time) at

1-866-561-0731

VDG, Inc.
Minneapolis, MN 55401

Made in China

