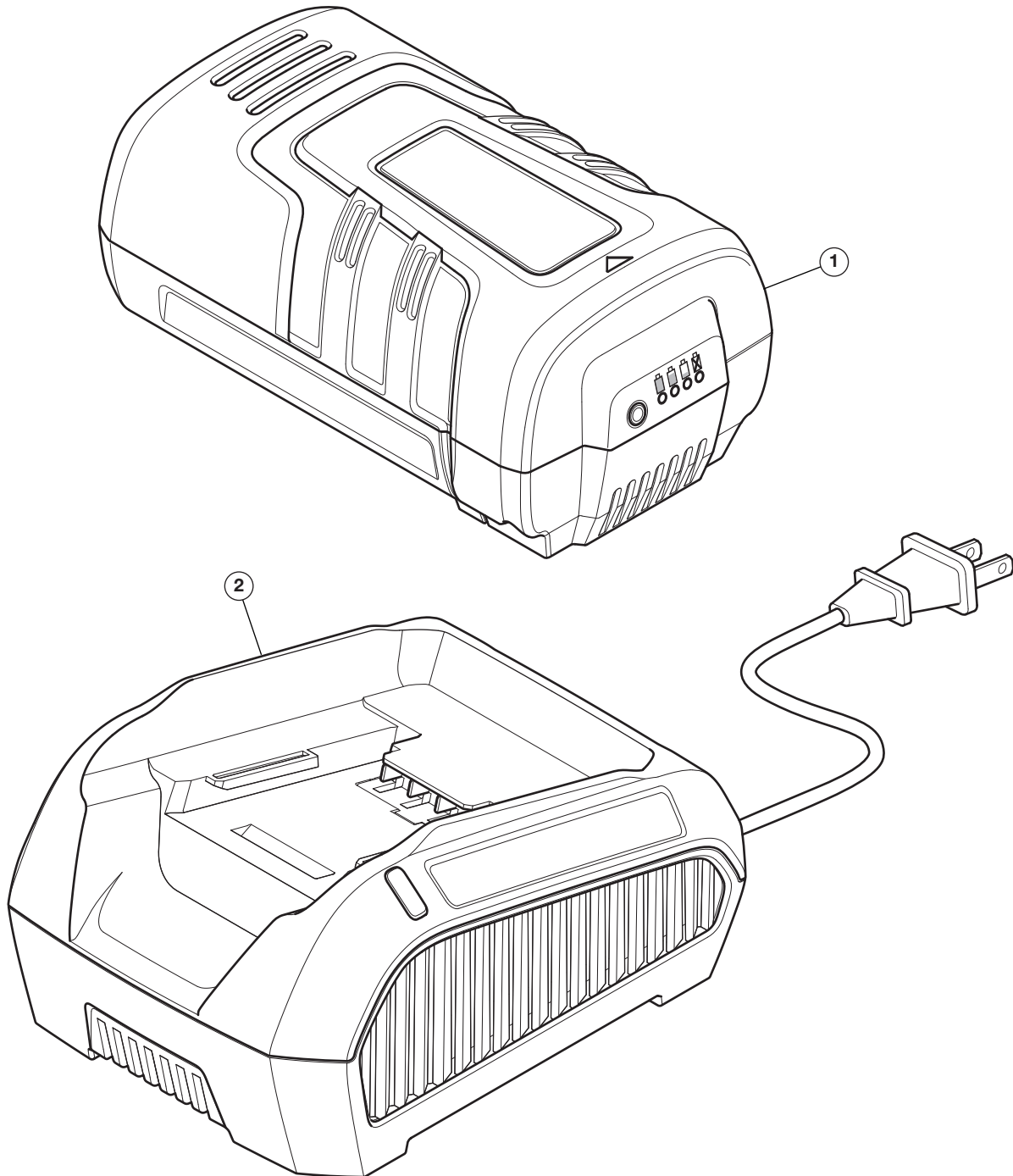


# REPLACEMENT PARTS - MODEL RM4000 and RM4000B CORDLESS TRIMMER

PPN 41AE40VG983 and 41AE40VB983

Item	Part No.	Description	* Optional Items
1	49MA25AQ983	2.5 Ah Lithium-Ion Battery*	* 49MA40AQ983 4 Ah Lithium-Ion Battery
2	49MA40VQ983	Charger*	* 49MA50AQ983 5 Ah Lithium-Ion Battery

\* Not included in the initial purchase of model RM4000B



# REPLACEMENT PARTS - MODEL RM4000 and RM4000B

## CORDLESS TRIMMER

PPN 41AE40VG983 and 41AE40VB983

Item	Part No.	Description
1	AO5Q3700001R	Handle Assembly
2	AO5Q1720001R	Shield and Blade Assembly
3	AO5Q4930001R	Cutting Head Assembly (includes 4 - 9)
4	AO5Q2980001R	Fan
5	JO8400001021R	Nut
6	JO5Q0370001R	Spring
7	QO5Q01VOH33R	Bump Knob
8	AO5Q2450004R	Inner Reel and Line (Line not shown)
9	QO5Q3650H33R	Spool Cover

