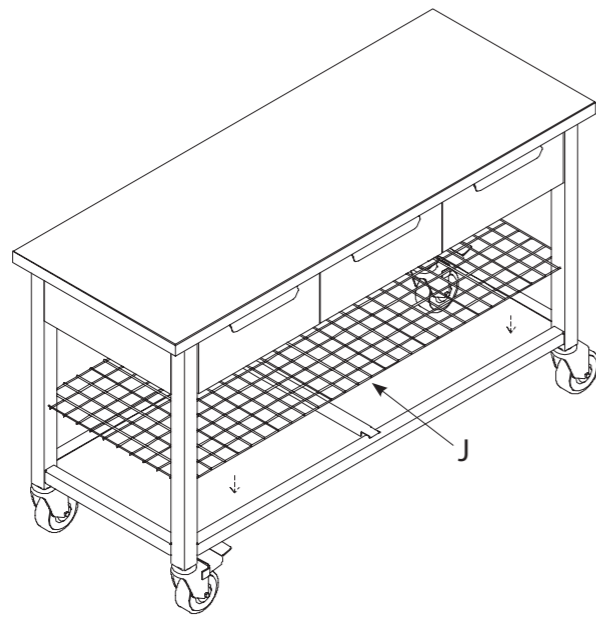
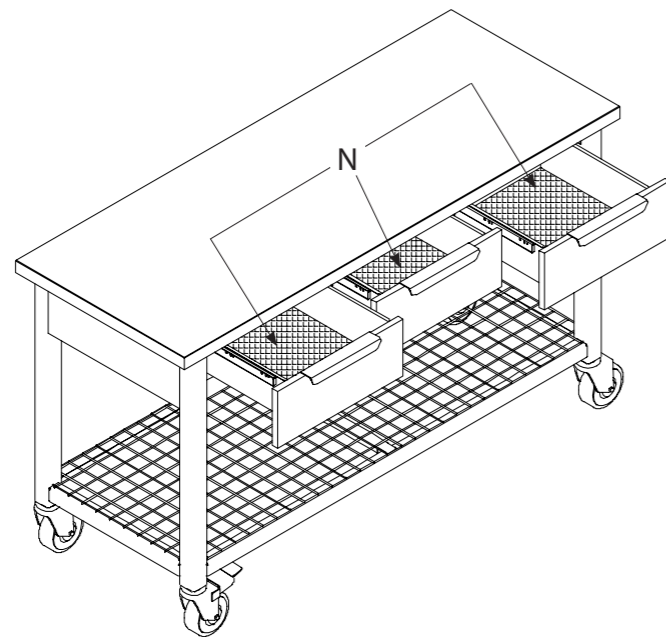


ASSEMBLY INSTRUCTIONS

Step 8



Step 9



CARE AND MAINTENANCE

1. Use a soft, clean cloth that will not scratch the surface while cleaning.
2. Using solvents of any kind on your product may damage the finish.
3. Do not use any harsh abrasives or chemicals to clean any metal surface as it may damage the protective coating.

LIMITED LIFETIME WARRANTY

This product is warranted to the original purchaser. If there is a failure in this unit due to defects in materials or workmanship, the manufacturer will repair or replace this item at our discretion without charge. Warranty is void if product has been assembled incorrectly, misused, abused by overloading, altered in any way or damaged due to accident. This warranty is not transferable and does not cover chipping, flaking, scratches, rust, dents, or other damages to the surfaces of this product. Responsibility of the manufacturer is limited to repair or replacement of this product. The manufacturer is not responsible for consequential, incidental, or other damages or losses resulting from product failure.

This warranty is in lieu of all other expressed warranties. Some states do not allow the exclusion or limitation of incidental or consequential damages, therefore, the above limitation may not apply to you. This warranty gives you specific legal rights and you may have other rights which vary from state-to-state.



U.S. Polymers Inc.
1057 S. Vail Ave.
Montebello, CA 90640
United States of America

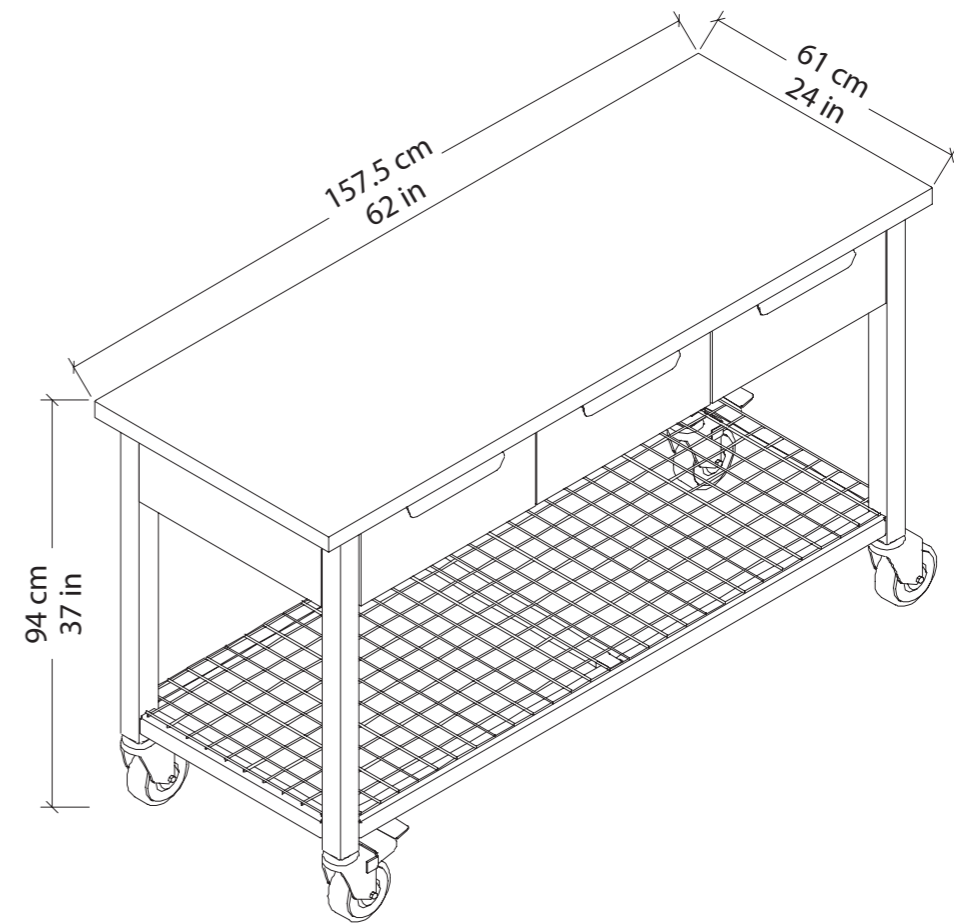
www.duramaxbp.com

SKU#68004-1 1 RD-1.0 29-12-2021

DURAMAX[®]

ITEM #68004

ROVE 62" INDUSTRIAL 3 DRAWER METAL & WOOD WORKBENCH



IMPORTANT: READ CAREFULLY AND RETAIN FOR FUTURE REFERENCE



WARNING

Your safety and the safety of others is important to us.
Failure to follow these guidelines can result in property damage or personal injury.

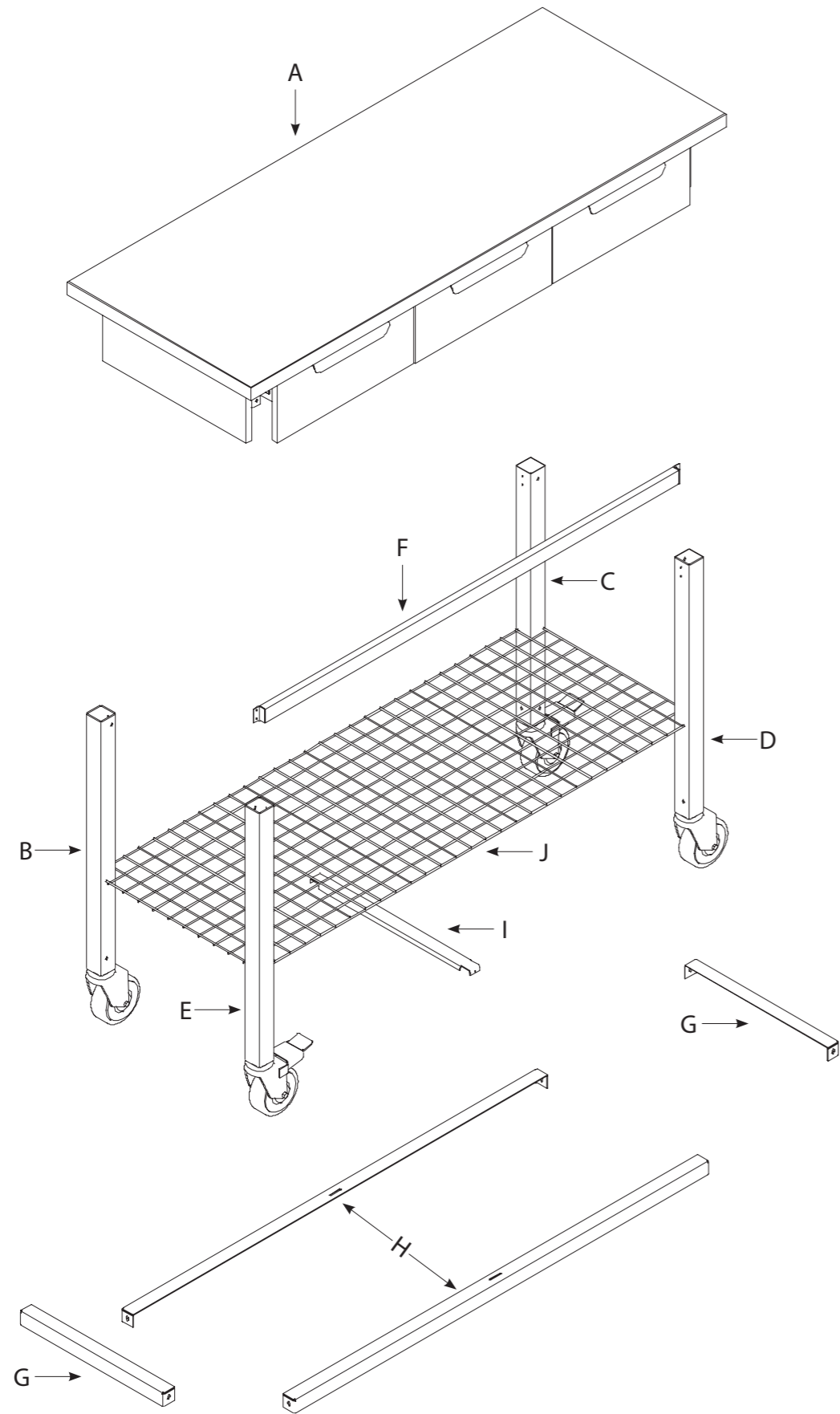
- The product is for indoor use only (Not recommended for outdoor use).
- We strongly recommend that at least two or more adults move and assemble this unit.
- Please ensure that all steps are completed before fully tightening the bolts.

DURAMAX[®]

Customer Service: 1-888-444-0104 Monday - Friday: 8:00 a.m. - 4:30 p.m. PST

www.duramaxbp.com

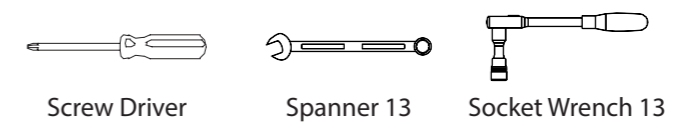
PARTS



PARTS LIST

A x 1 Top		H x 2 Bottom Beam	
B x 1 Left Back Leg		I x 1 Tie Support	
C x 1 Right Back Leg		J x 1 Wire Deck	
D x 1 Right Front Leg		K x 16 M8 Hex Bolt	
E x 1 Left Front Leg		L x 16 Washer	
F x 1 Upper Beam		M x 20 Self Tap Drilling Screw	
G x 2 Leg Support		N x 3 Drawer Liner	

Tools Required (Not Included)



Screw Driver

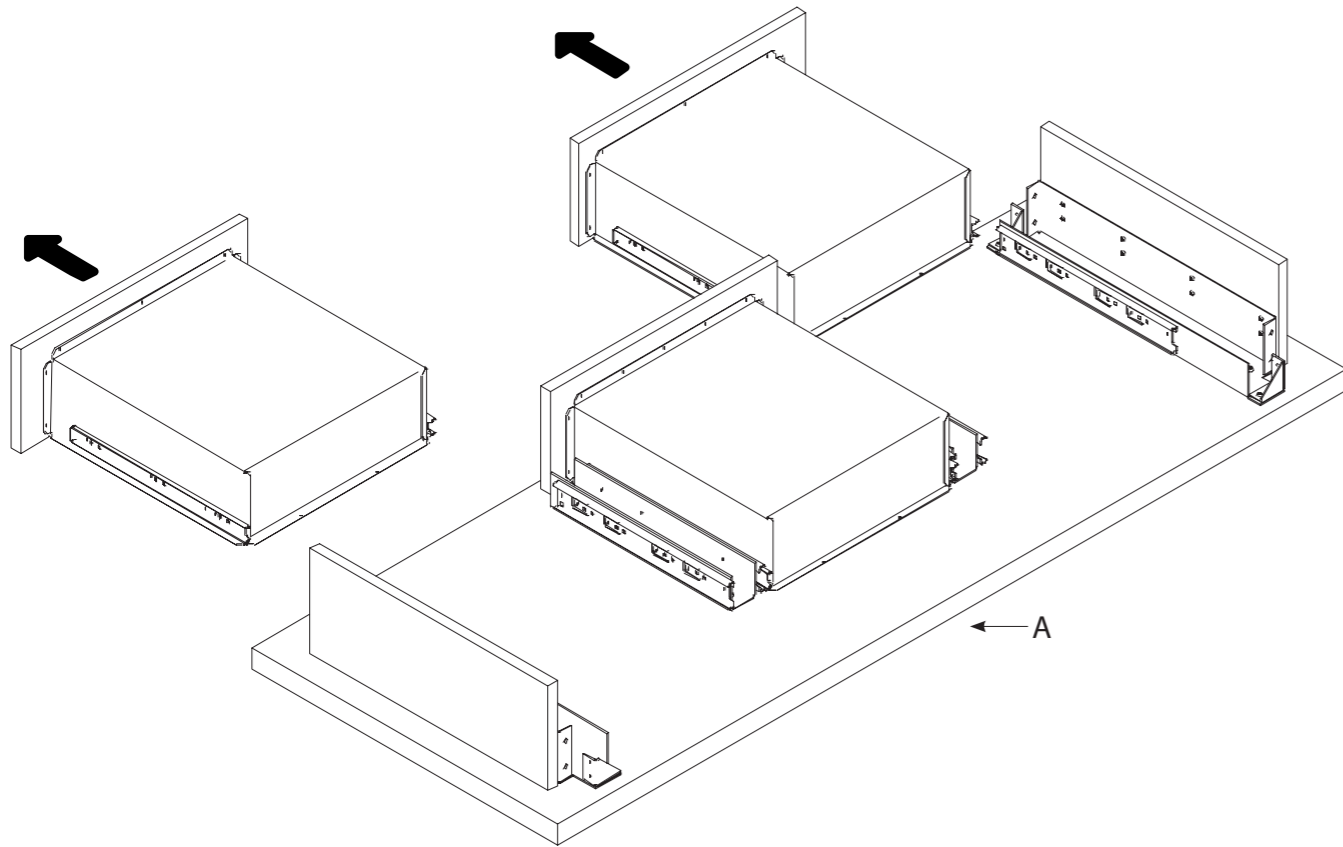
Spanner 13

Socket Wrench 13

ASSEMBLY INSTRUCTIONS

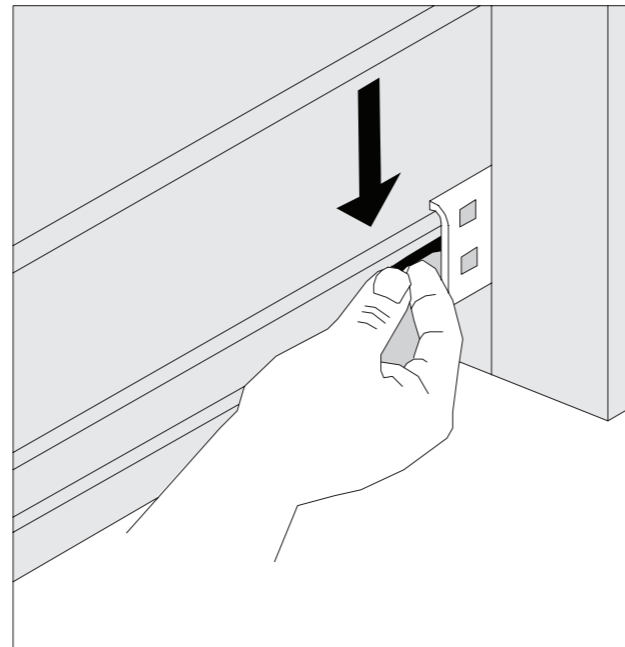
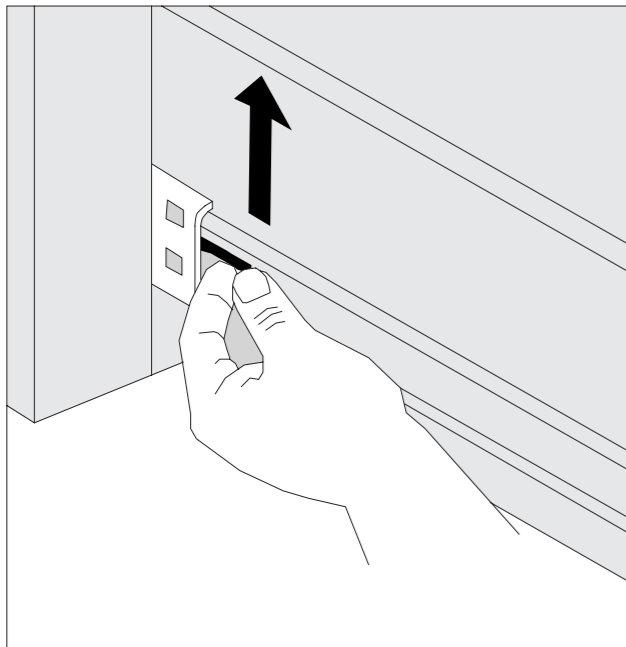
Step 1

Remove only left and right drawers to start the assembly process



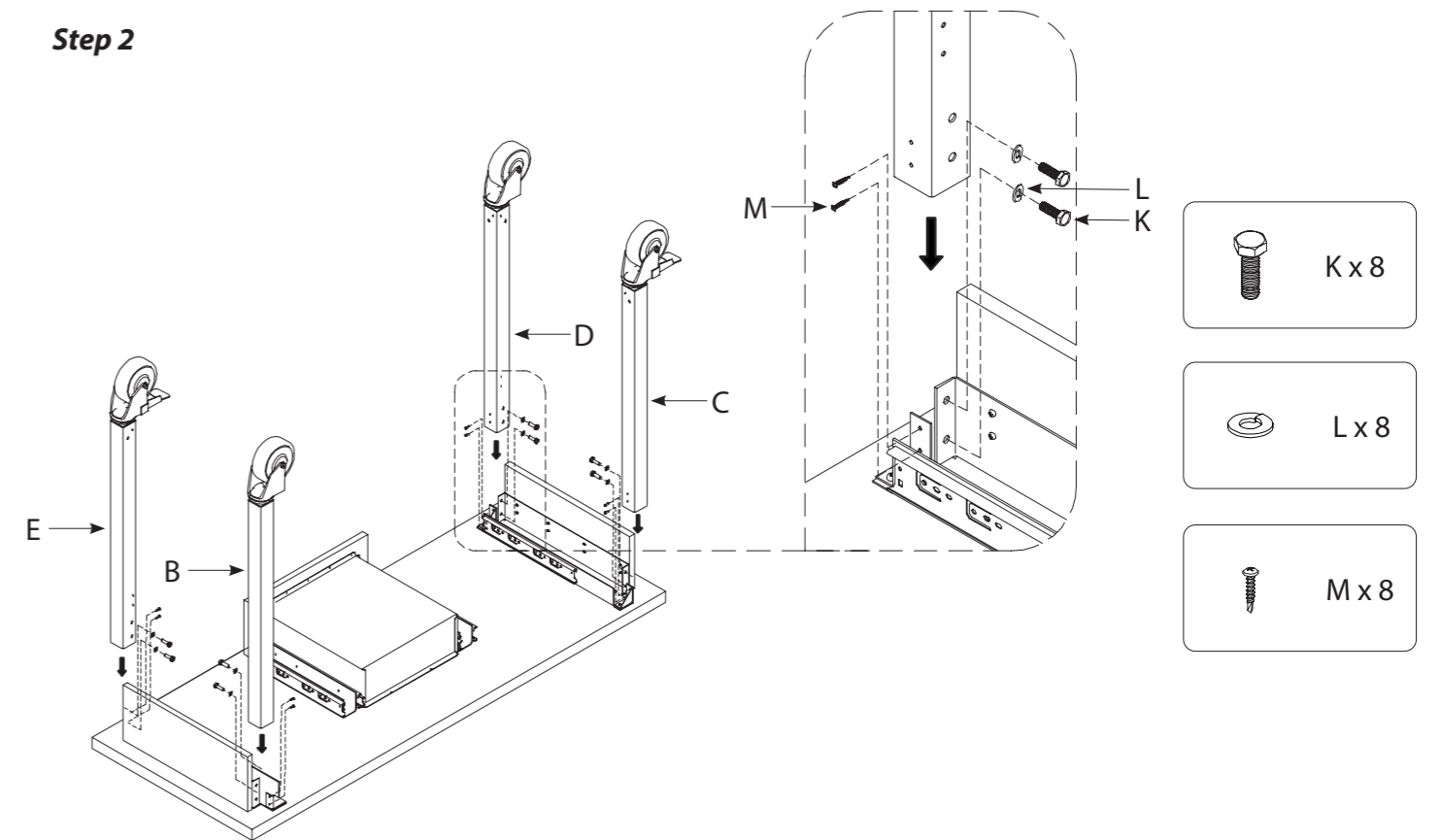
To Remove the Drawer

- Open the drawer to its full extension.
- Locate the drawer slide lock on each side of the drawer box. Pull up the lock on the left side of the drawer box and push down the lock on the right side of the drawer box at the same time and pull drawer straight out.
- Remove the drawer.

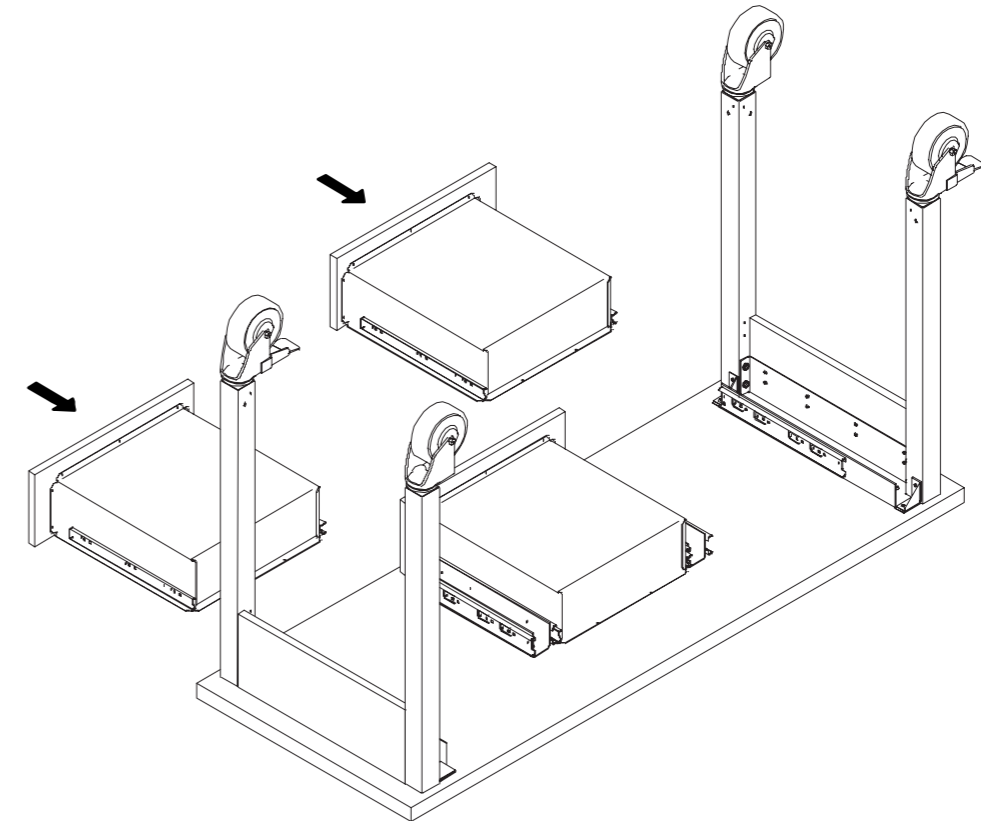


ASSEMBLY INSTRUCTIONS

Step 2



Step 3



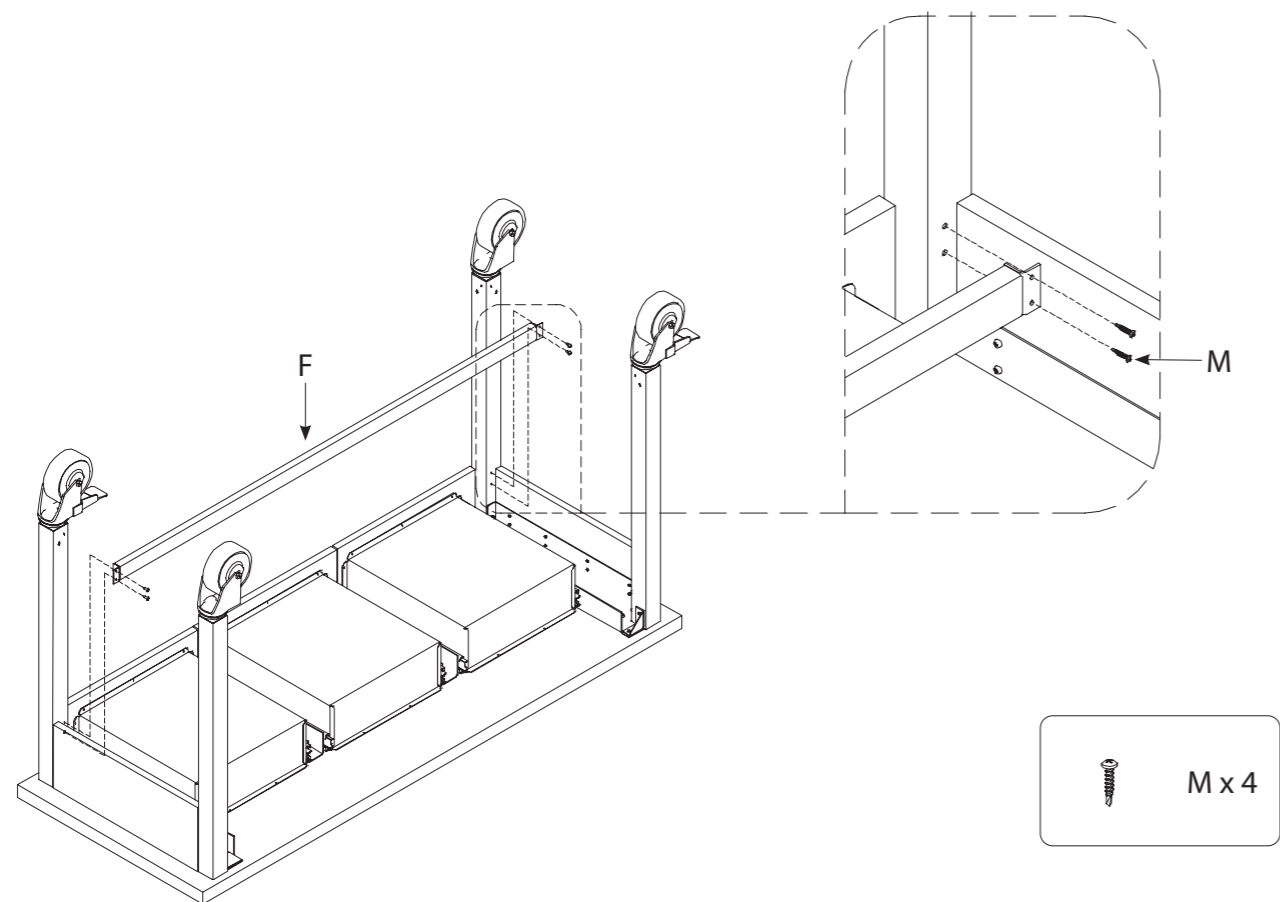
To Reinstall the Drawer

- Align the tracks on the drawer with sliders and push in the drawer (you may find this step easier if done by two people).
- Check that it is properly aligned by opening and closing a few times.

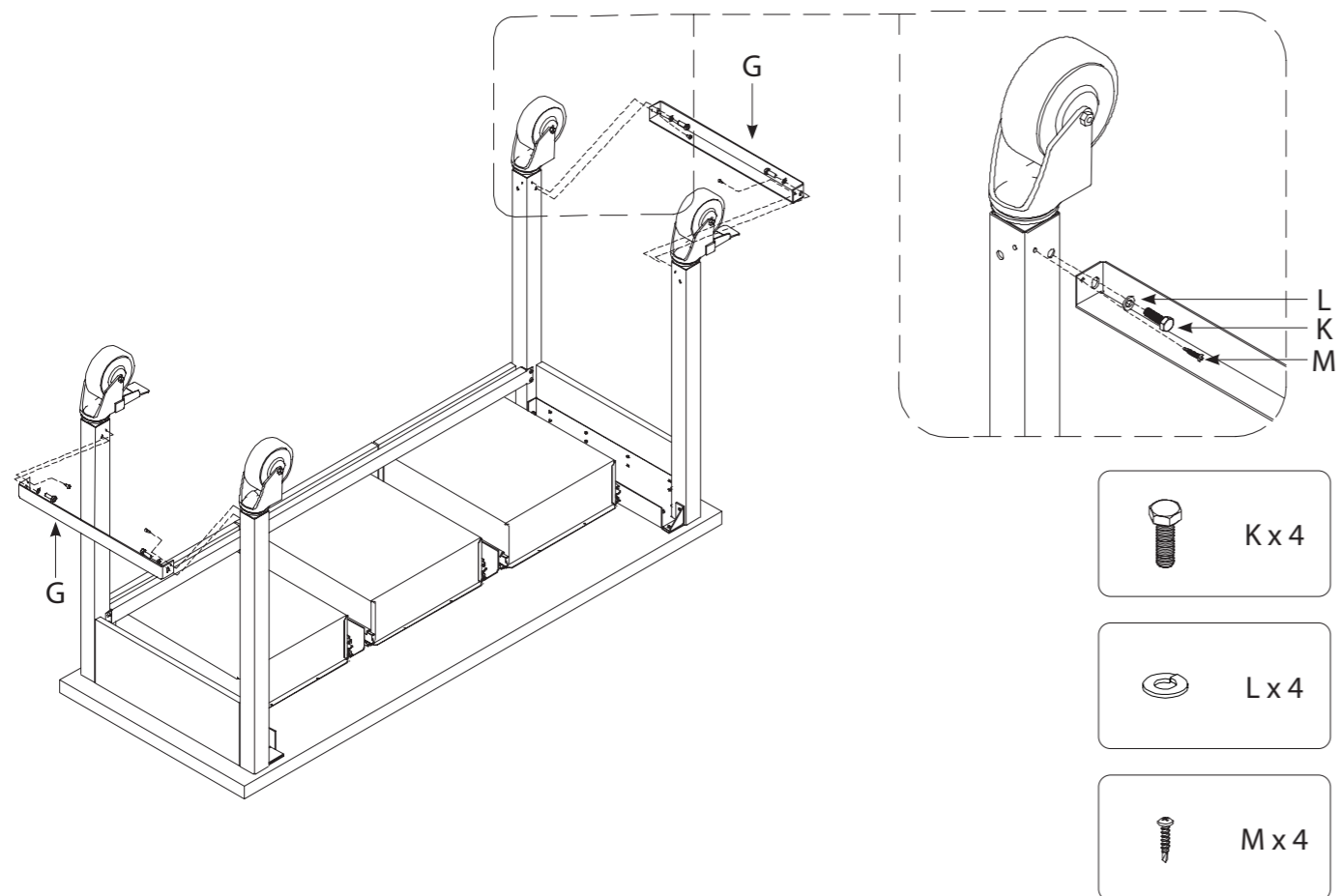
Note: If the drawer fronts are uneven, repeat the entire process.

ASSEMBLY INSTRUCTIONS

Step 4

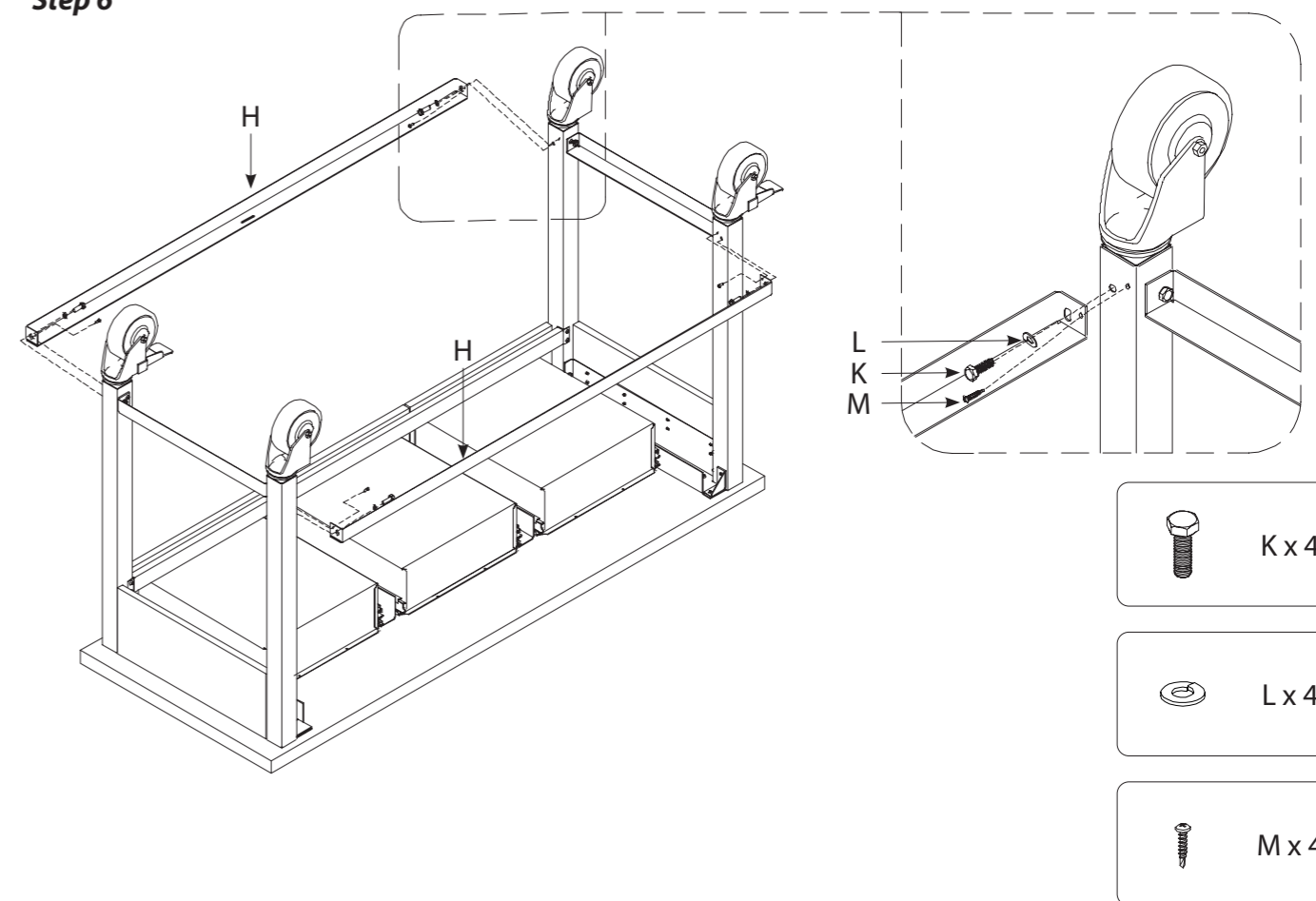


Step 5



ASSEMBLY INSTRUCTIONS

Step 6



Step 7

