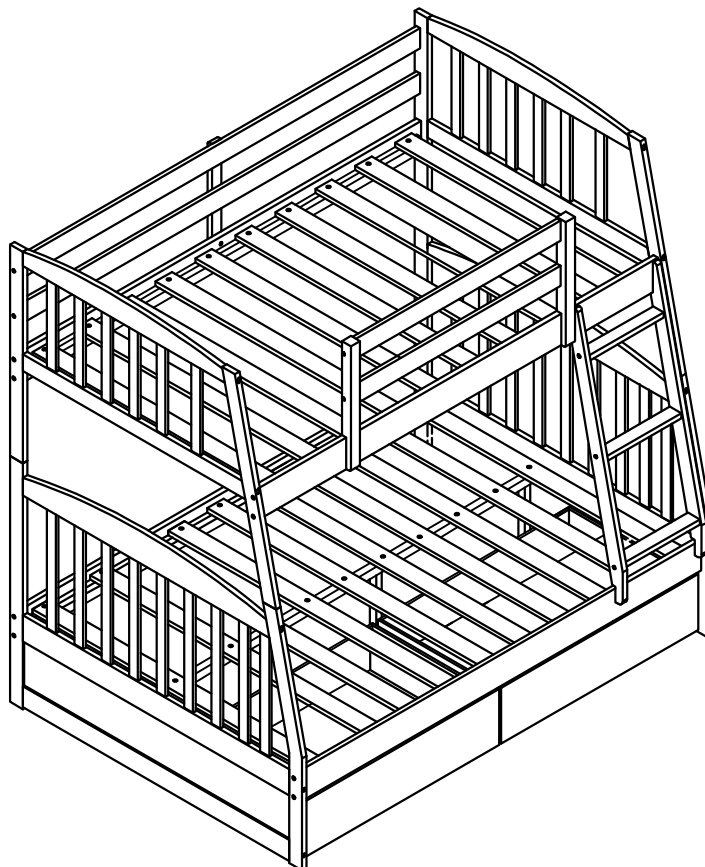


ASSEMBLY INSTRUCTIONS

ITEM # : WF192668/192669















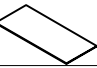



SAFETY WARNINGS

- 1-Follow the information on the warning label appearing on the upper bunk bed and structure on the carton ... **Do not remove warning label from bed**
- 2-Always use the recommended size mattress or mattress support, or both, to help prevent the likelihood of entrapment or falls.
- 3-Surface of mattress must be at least 5 inches below the upper edge of guard rails.
- 4-Do not allow children under 6 years to use the upper bunk bed.
- 5-Prohibit more than one person on upper bunk.
- 6-Periodically check and ensure that the guardrail, ladder, and other components are in their proper position, free from damage, and that all connectors are tight.
- 7-Do not allow horseplay on or under the bed and prohibit jumping on the bed.
- 8-Always use the ladder for entering and leaving upper bunk.
- 9-Do not use substitute part. Contact the manufacturer or dealer for replacement part.
- 10-Use of night light may provide added safety precaution for a child using the upper bunk.
- 11-If the bunk bed will be placed next to a wall, the guardrail that runs the full length of the bed.
- 12-Always use guardrail on both long sides of the upper bunk.
- 13-The use of water or sleep flotation mattresses is prohibited.
- 14-Keep these instruction for future reference.
- 15-Strangulation Hazard - Never attach or hang items to any part of the bunk bed that are not designed for use with the bed, for example, but not limited to hooks, belts and jump rores.



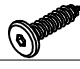





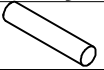
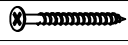







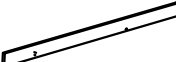

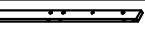




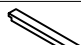
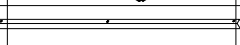
ASSEMBLY INSTRUCTIONS

PART LISTS

No.	PHOTO	PART NAME	Q'TY	No.	PHOTO	PART NAME	Q'TY
BOX WF192668				BOX WF192669			
A		Bottom Frame	2pcs	C		Bottom rail	2pcs
B		Bottom panel	2pcs	E		Bottom back leg (L&R)	2pcs
D		Bottom front leg (L&R)	2pcs	F		Bottom back side rail	1pc
O		Upper Frame	2pcs	G		Bottom front side rail	1pc
15		Upper slats	10pcs	H		Back Guardrail reinforce bar	1pc
16		Bottom slats	10pcs	I		Back upper side rail	2pcs
V2		Drawer side panels	4pcs	K		Guardrail front posts (L&R)	2pcs
V4		Bottom drawer	2pcs	L		Front upper side rails	2pcs
W		Center support leg	3pcs	M		Front upper side rail	1pc

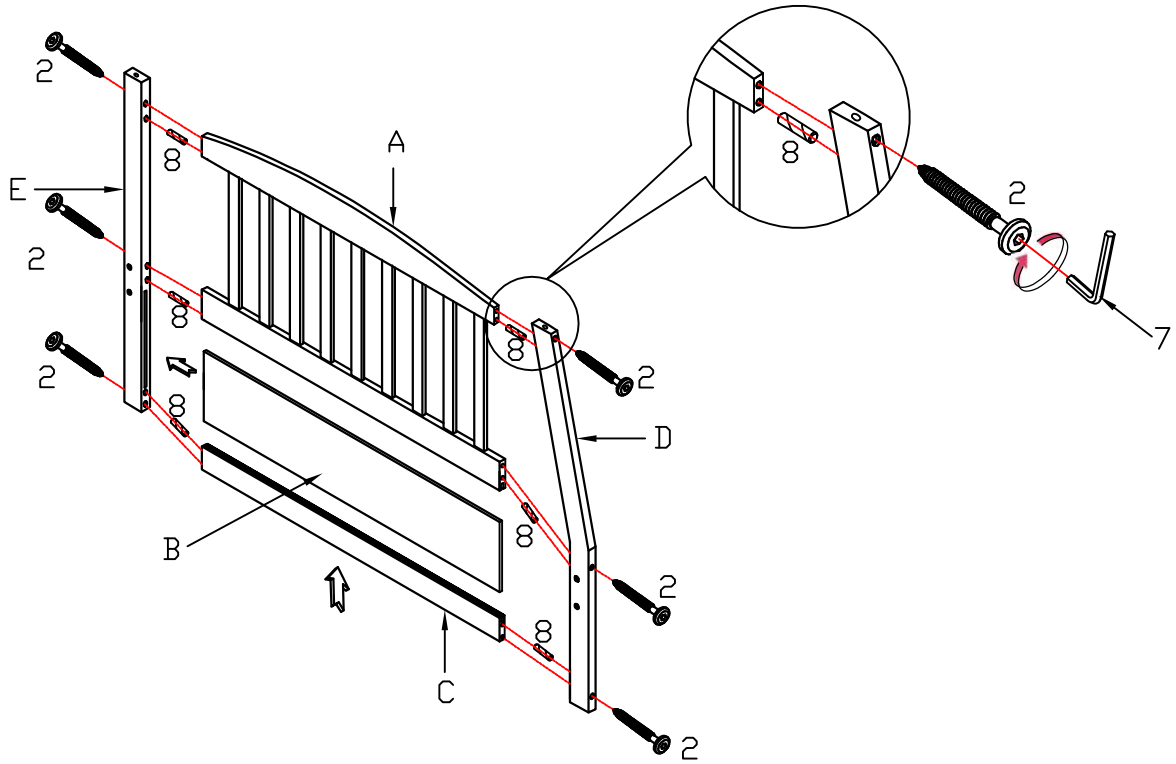
HARDWARE LISTS - BOX WF192668

No.	PHOTO	HARDWARE NAME	Q'TY
1		LONG BOLT: 1/4" x 65mm	4pcs
2		BOLT SCREWS: 1/4" x 110mm	20pcs
3		BOLT SCREWS: 1/4" x 30mm	7pcs
4		LONG BOLT: 1/4" x 85mm	20pcs
5		Hole bolt Ø 1/4"x15mm	24pcs
6		BOLT SCREWS: 1/4" x 50mm	10pcs
7		ALLEN KEY 4mm	1pc
8		Wood dowel Ø10 x 30mm	56pcs
9		Metal dowel Ø10 x 90mm	4pcs
10		Screw Ø4 x 30mm	56pcs
11		Screw Ø4 x 25mm	16pcs
12		SCREW Ø3 x 15mm	20pcs
13		LONG BOLT: 1/4" x 35mm	3pcs
14		Wheels Ø26	8pcs
17		Wood block	3pcs

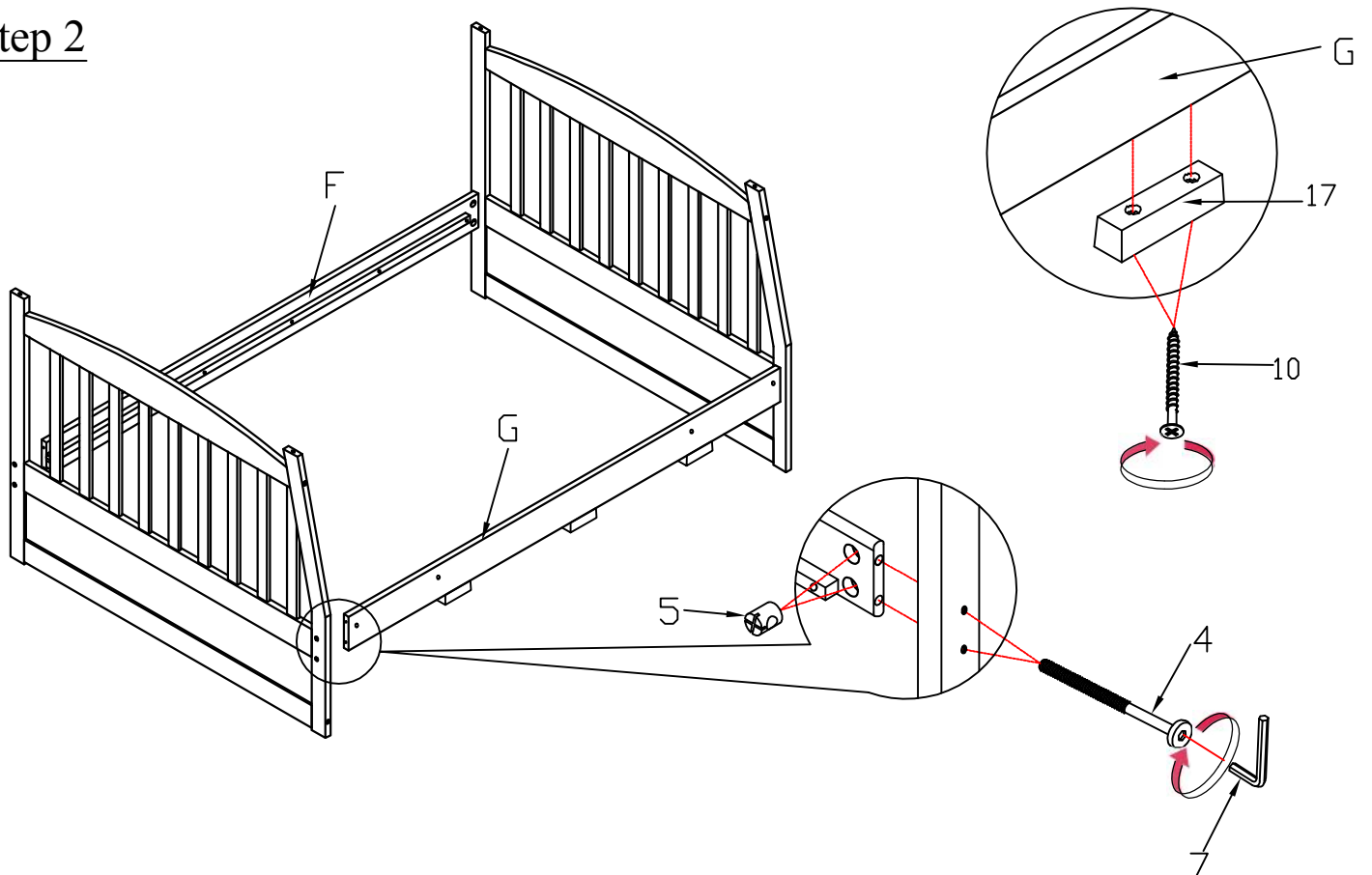
N		Back upper side rail	1pc
P		Upper front leg (L&R)	2pcs
Q		Upper back leg (L&R)	2pcs
R		Ladder rail L/R	2pc:
S		Ladder steps	3pcs
V1		Drawer front	2pcs
V3		Drawer Back panels	2pcs
V5		Center support drawer	2pcs
X		Center support leg	1pc

ASSEMBLY INSTRUCTIONS

Step 1

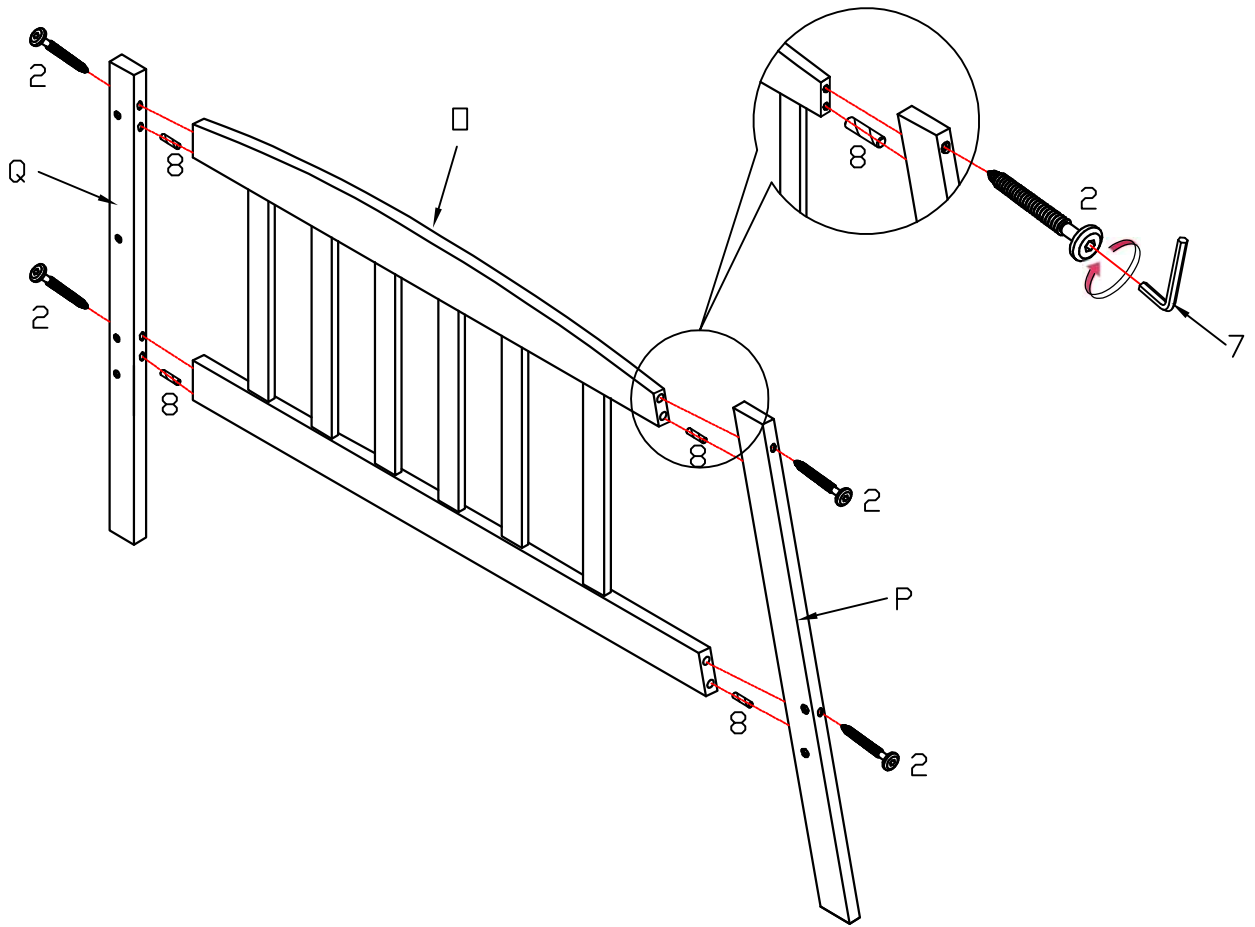


Step 2

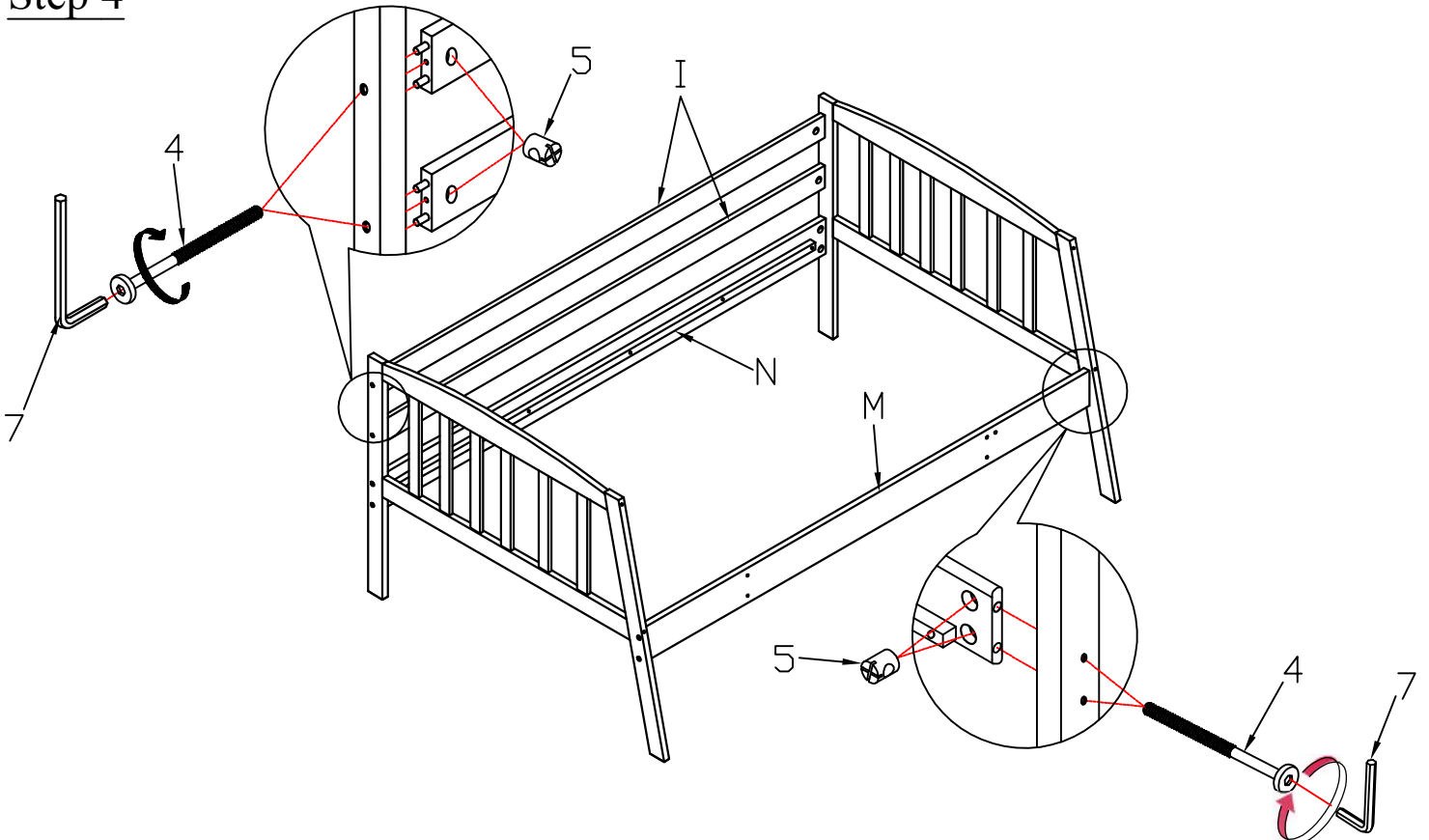


ASSEMBLY INSTRUCTIONS

Step 3

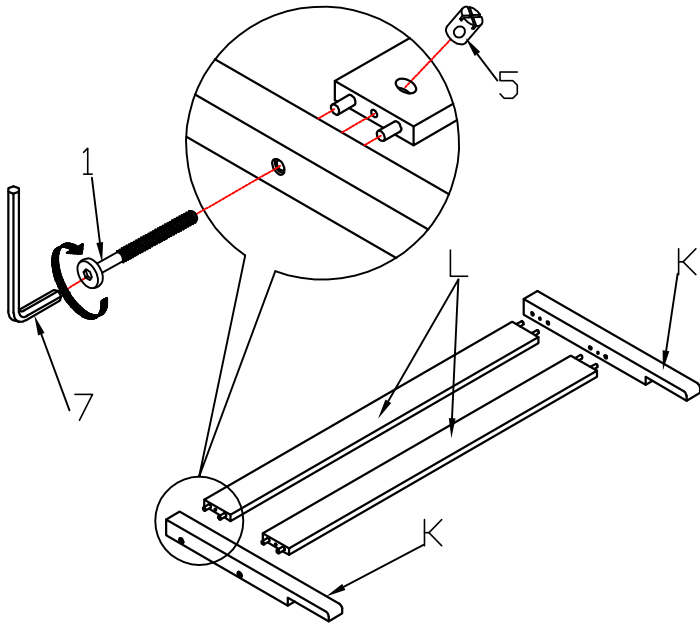


Step 4

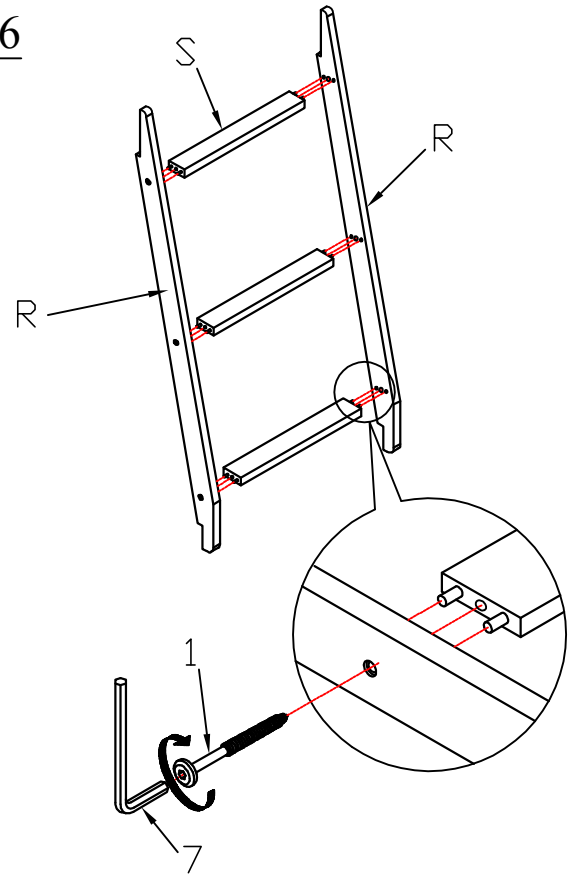


ASSEMBLY INSTRUCTIONS

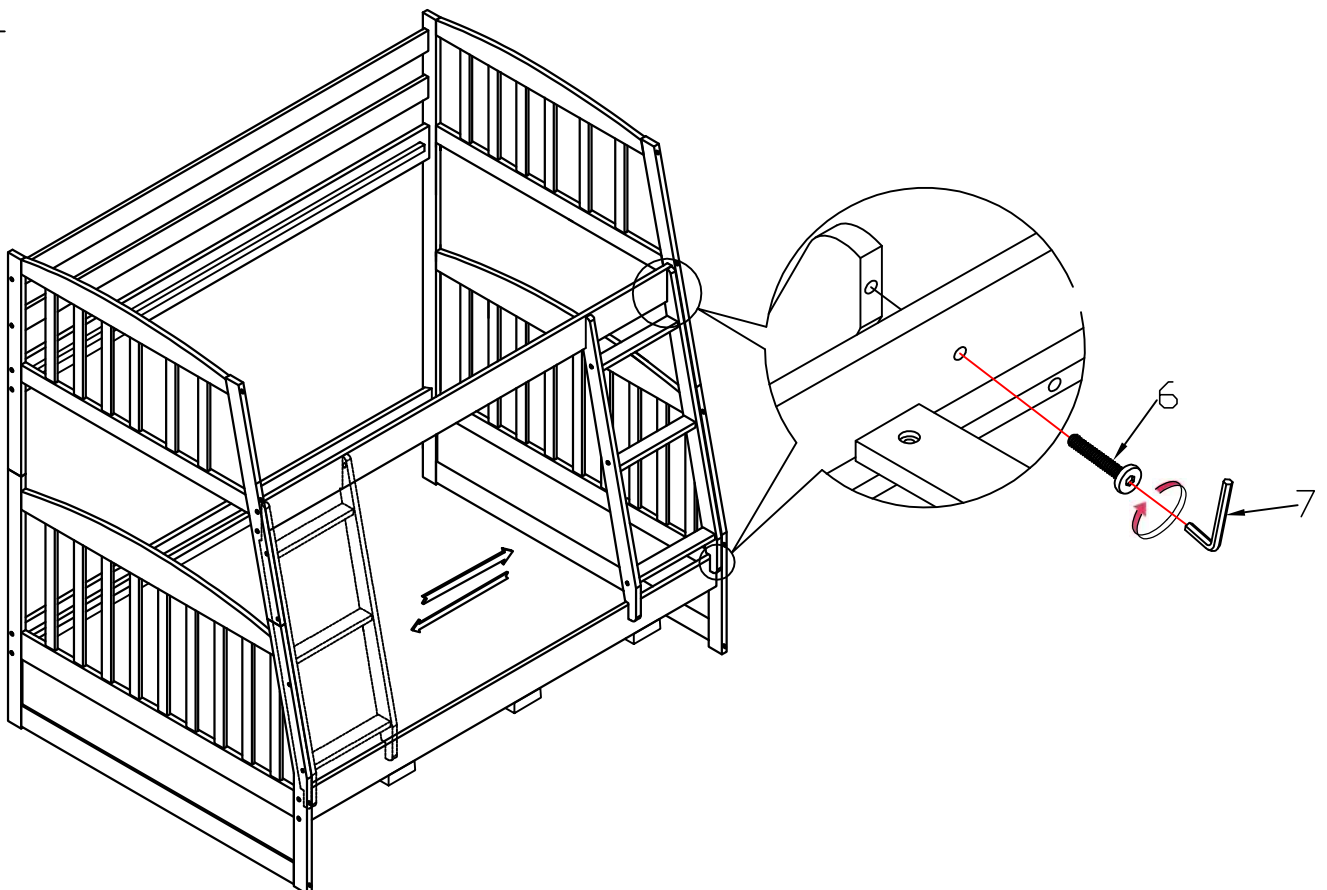
Step 5



Step 6

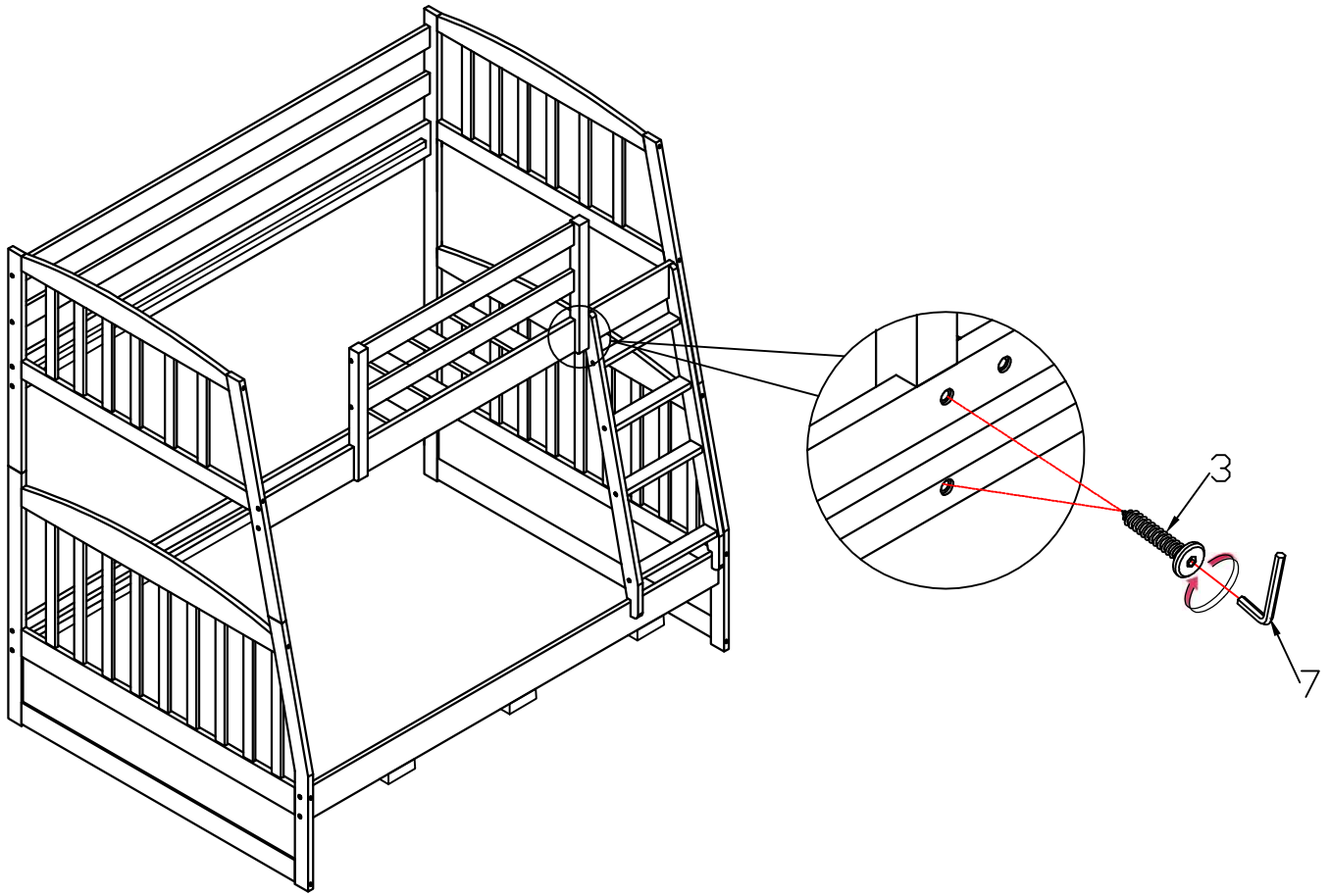


Step 7

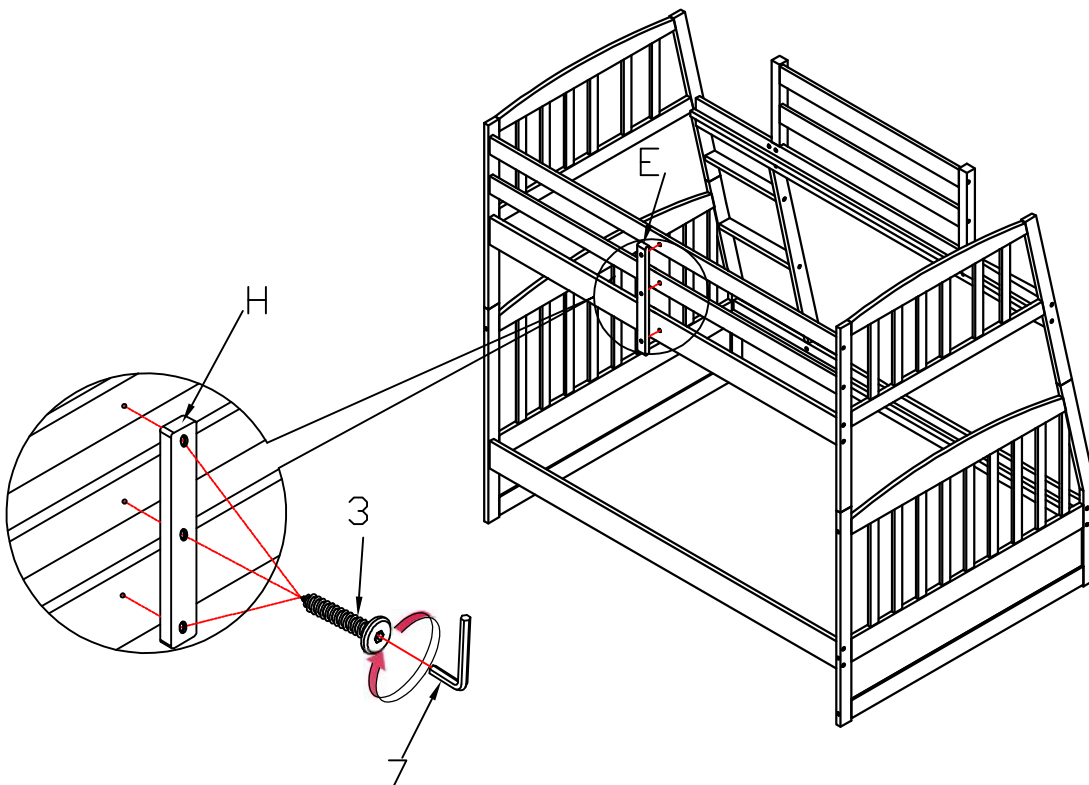


ASSEMBLY INSTRUCTIONS

Step 8

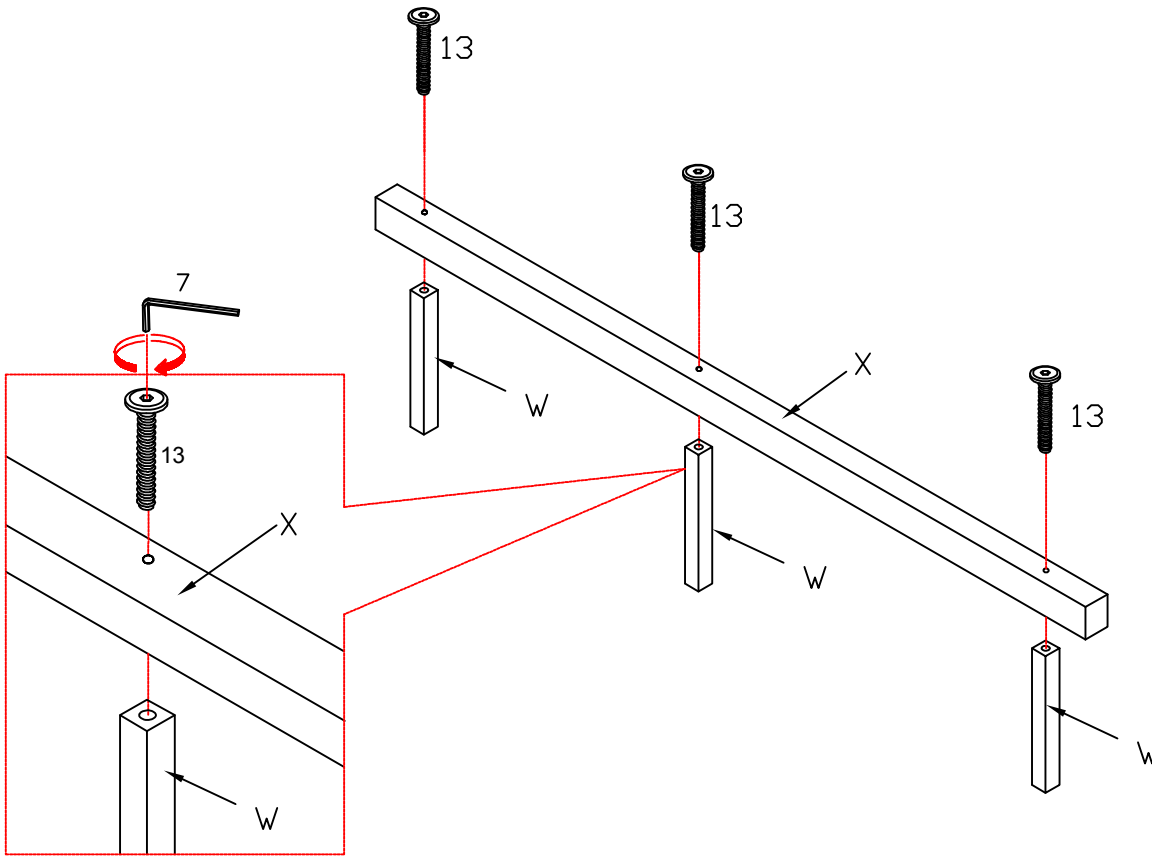


Step 9

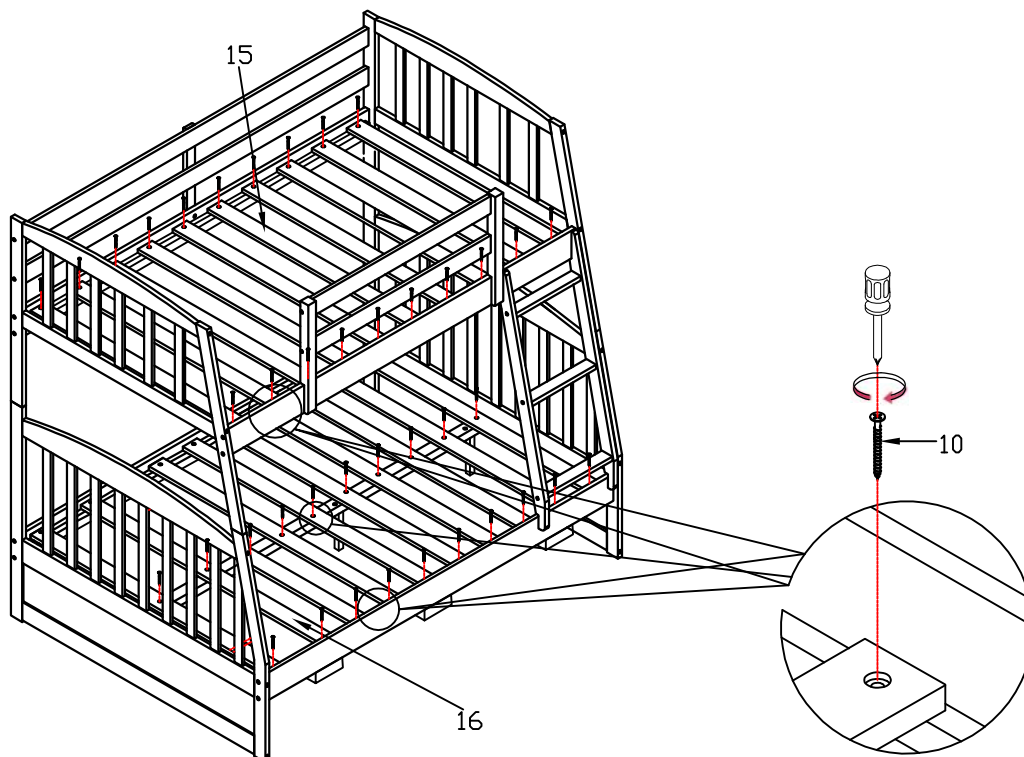


ASSEMBLY INSTRUCTIONS

Step 10

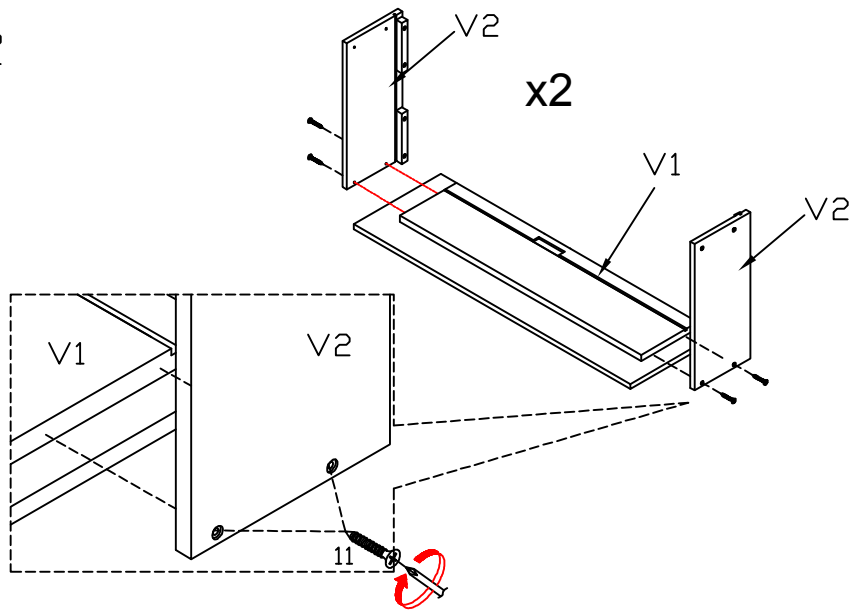


Step 11

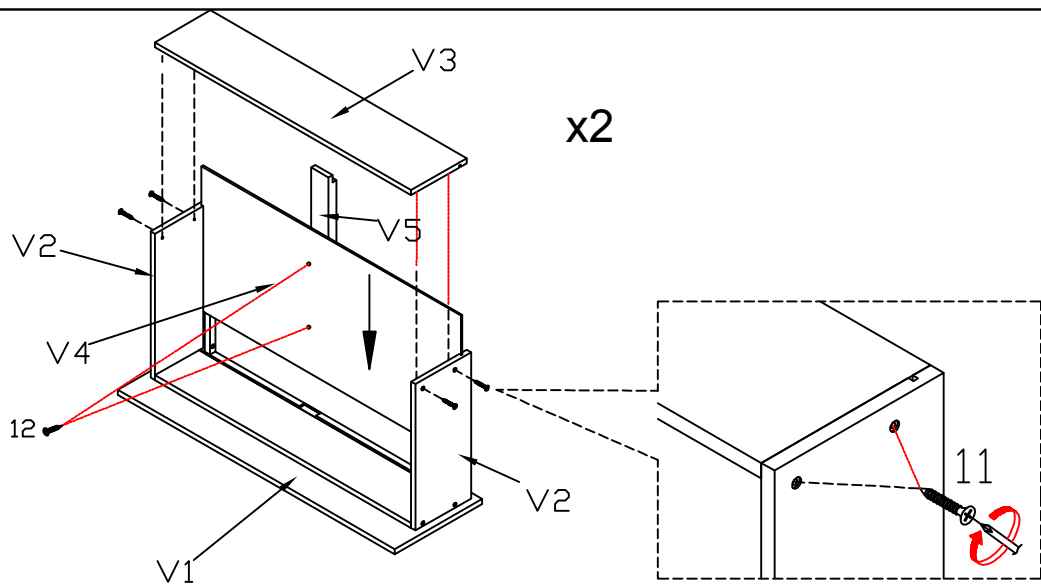


ASSEMBLY INSTRUCTIONS

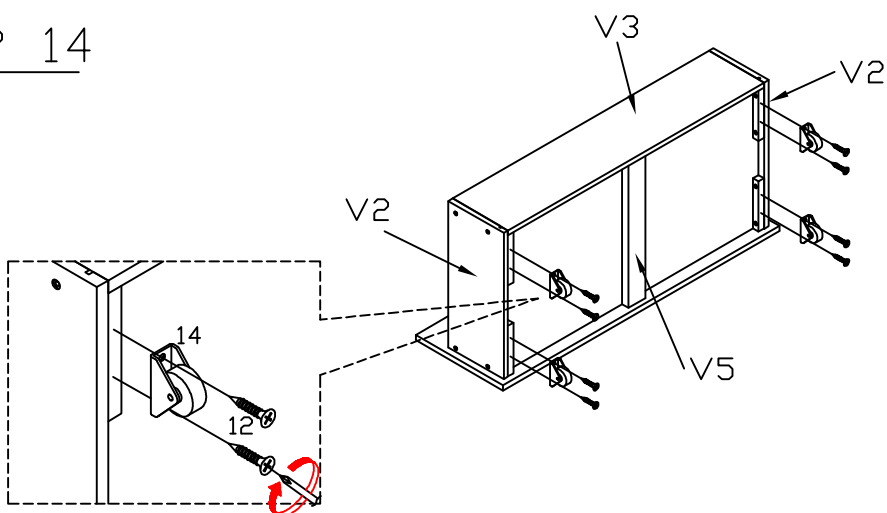
STEP 12



STEP 13

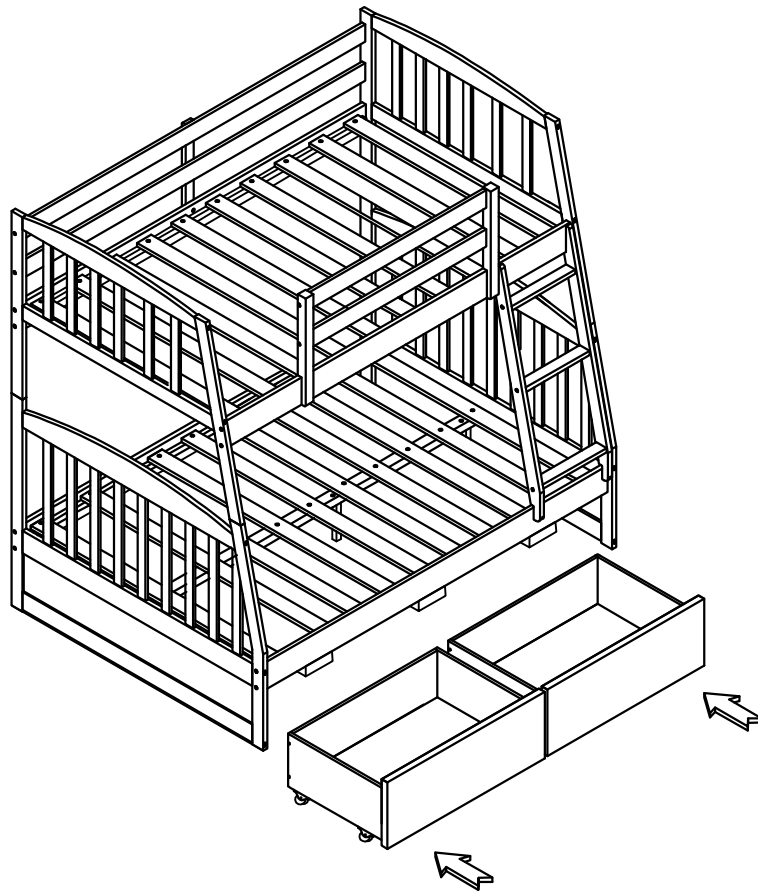


STEP 14



ASSEMBLY INSTRUCTIONS

Step 15



Completed

