

SERVICE DATA SHEET ELECTRIC OVEN WITH MODULAR OVEN CONTROLS

NOTICE: This service data sheet is intended for use by persons having electrical and mechanical training and a level of knowledge of these subjects generally considered acceptable in the appliance repair trade. The manufacturer cannot be responsible, nor assume any liability, for injury or damage of any kind arising from the use of this data sheet.

IMPORTANT NOTE: This unit includes an EOC (electronic oven control). This board is not field-repairable.

Safe Servicing Practices

To avoid the possibility of personal injury and/or property damage, it is important that safe servicing practices be observed. The following are some, but not all, examples of safe practices.

- Do not attempt a product repair if you have any doubts as to your ability to complete it in a safe and satisfactory manner.
- Before servicing or moving an appliance, remove power cord from electric outlet, trip circuit breaker to Off, or remove fuse.
- Never interfere with the proper installation of any safety device.
- Use only replacement parts specified for this appliance. Substitutions may not comply with safety standards set for home appliances.
- Grounding: The standard color coding for safety ground wires is green or green with yellow stripes. Ground leads are not to be used as current carrying conductors. It is extremely important that the service technician reestablish all safety grounds prior to completion of service. Failure to do so will create a potential hazard.

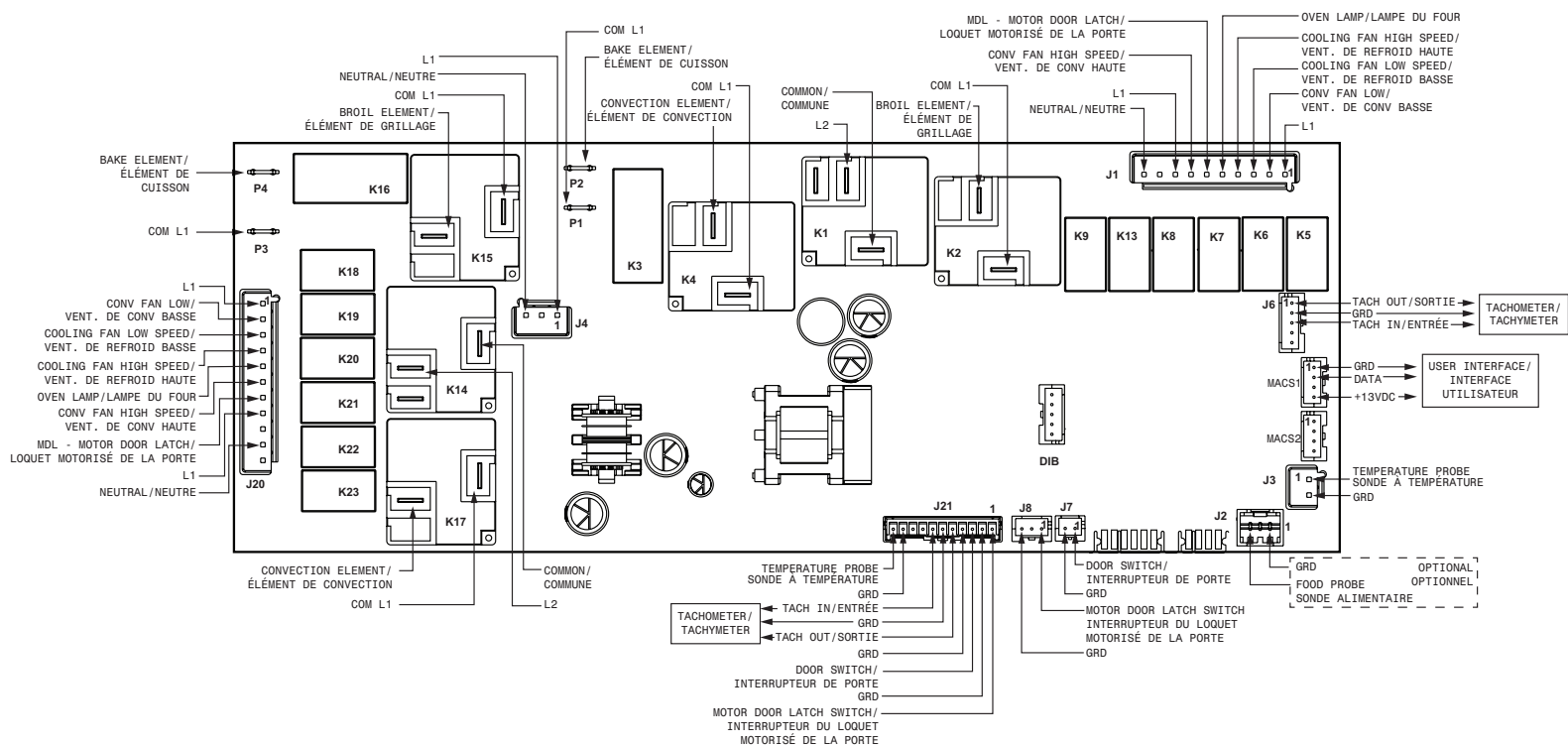
- Prior to returning the product to service, ensure that:
 - All electric connections are correct and secure.
 - All electrical leads are properly dressed and secured away from sharp edges, high-temperature components, and moving parts.
 - All uninsulated electrical terminals, connectors, heaters, etc. are adequately spaced away from all metal parts and panels.
 - All safety grounds (both internal and external) are correctly and securely reassembled.
 - All panels are properly and securely reassembled.

Temperature Adjustment

Refer to the Use & Care Manual for directions on how to adjust the oven temperatures. Changing calibration affects all baking modes. The adjustments made will not change the self-cleaning temperature.

Modular Control Systems

This appliance is equipped with a modular system of controls. The modular system consists of various boards which communicate with one another to drive cooking functions. Oven functions, if available, operate through an oven user interface (UI or UIB) and an oven relay board. Cooktop functions, if available, operate through a cooktop UI/UIB and a cooktop relay board. There may be additional boards which work within the system to drive specific functions (refer to the schematics and diagrams on this sheet). Low voltage operating and communications power for the modular boards is provided through the wiring schemes. The boards that generate low voltage operating and communications power depend upon the individual control system (refer to the schematics and diagrams on this sheet). These voltages are only the operational voltages. Do not use these voltages as confirmation of communication between the boards. Communication occurs through software programming on each board. This communication is not detectable by volt ohmmeters. The programming is self-monitored and the UI displays will show error codes based on detected failures. The individual boards are not field repairable. See the schematics and diagrams included on this sheet for more unit-specific details.

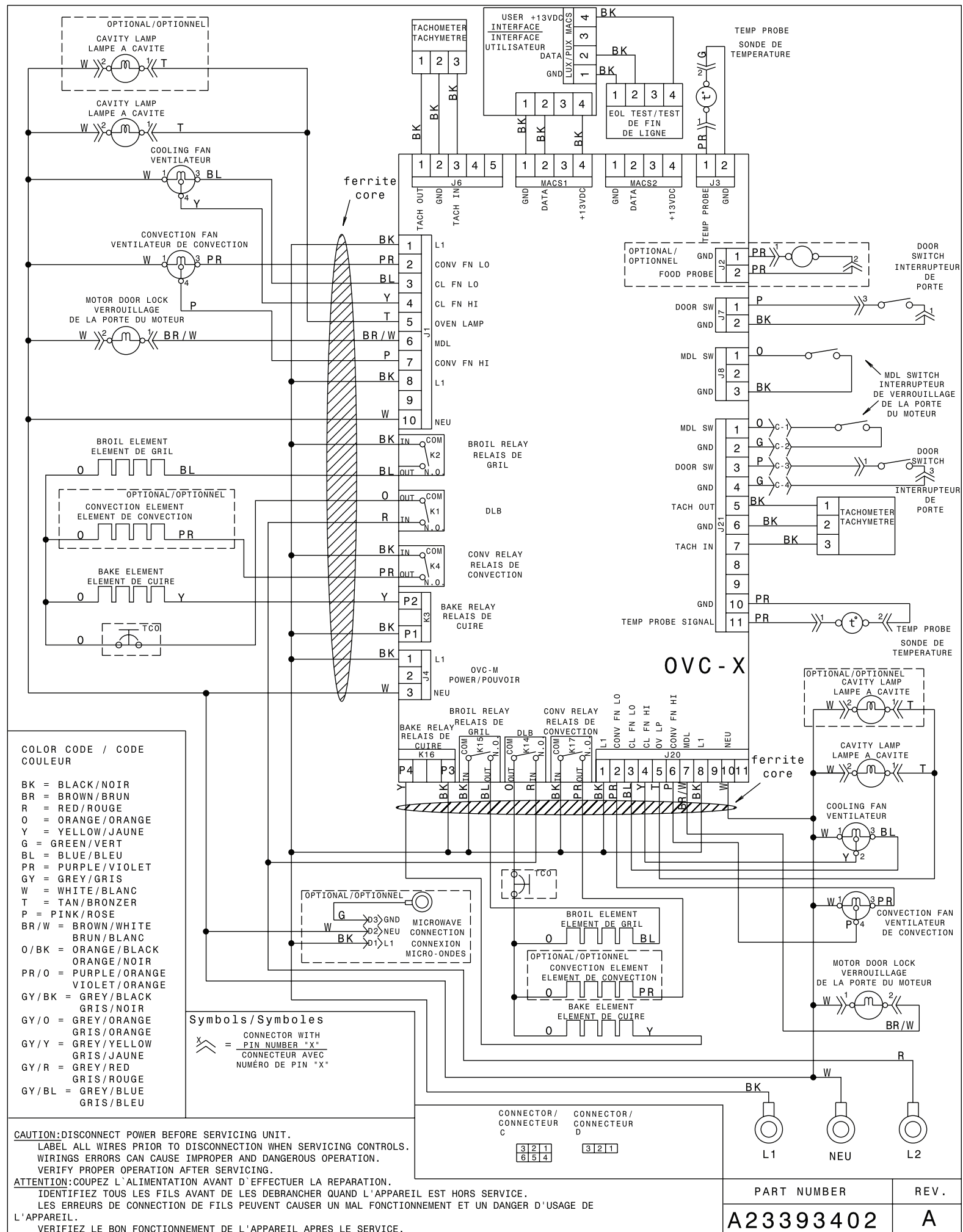


RTD SCALE	
Temperature °F (°C)	Resistance (ohms)
32 ± 1.9 (0 ± 1.0)	1000 ± 4.0
75 ± 2.5 (24 ± 1.3)	1091 ± 5.3
250 ± 4.4 (121 ± 2.4)	1453 ± 8.9
350 ± 5.4 (177 ± 3.0)	1654 ± 10.8
450 ± 6.9 (232 ± 3.8)	1852 ± 13.5
550 ± 8.2 (288 ± 4.5)	2047 ± 15.8
650 ± 9.6 (343 ± 5.3)	2237 ± 18.5
900 ± 13.6 (482 ± 7.5)	2697 ± 24.4
Probe circuit to case ground	Open circuit/infinite resistance

MEAT PROBE TEMPERATURE VS RESISTANCE	
Temperature °F (°C)	Resistance (Kohm)
77 (25)	50.0 ± 7%
122 (50)	18.0 ± 4.9%
176 (80)	6.3 ± 3.3%
212 (100)	3.4 ± 4.6%

IMPORTANT
DO NOT REMOVE THIS BAG
OR DESTROY THE CONTENTS
WIRING DIAGRAMS AND SERVICE
INFORMATION ENCLOSED
REPLACE CONTENTS IN BAG

A22383706 Rev A (2021/09)



COLOR CODE / CODE COULEUR

BK = BLACK/NOIR
BR = BROWN/BRUN
R = RED/ROUGE
O = ORANGE/ORANGE
Y = YELLOW/JAUNE
G = GREEN/VERT
BL = BLUE/BLEU
PR = PURPLE/VIOLET
GY = GREY/GRIS
W = WHITE/BLANC
T = TAN/BRONZER
P = PINK/ROSE
BR/W = BROWN/WHITE
BRUN/BLANC
O/BK = ORANGE/BLACK
ORANGE/NOIR
PR/O = PURPLE/ORANGE
VIOLET/ORANGE
GY/BK = GREY/BLACK
GRIS/NOIR
GY/O = GREY/ORANGE
GRIS/ORANGE
GY/Y = GREY/YELLOW
GRIS/JAUNE
GY/R = GREY/RED
GRIS/ROUGE
GY/BL = GREY/BLUE
GRIS/BLEU

Symbols / Symboles

X = CONNECTOR WITH PIN NUMBER "X"
CONNECTEUR AVEC NUMERO DE PIN "X"

CAUTION: DISCONNECT POWER BEFORE SERVICING UNIT.
LABEL ALL WIRES PRIOR TO DISCONNECTION WHEN SERVICING CONTROLS.
WIRINGS ERRORS CAN CAUSE IMPROPER AND DANGEROUS OPERATION.
VERIFY PROPER OPERATION AFTER SERVICING.

ATTENTION: COUPEZ L'ALIMENTATION AVANT D'EFFECTUER LA REPARATION.
IDENTIFIEZ TOUS LES FILS AVANT DE LES DEBRANCHER QUAND L'APPAREIL EST HORS SERVICE.
LES ERREURS DE CONNEXION DE FILS PEUVENT CAUSER UN MAL FONCTIONNEMENT ET UN DANGER D'USAGE DE L'APPAREIL.
VERIFIEZ LE BON FONCTIONNEMENT DE L'APPAREIL APRES LE SERVICE.

PART NUMBER
A23393402

REV.
A

ELECTRONIC OVEN CONTROL (EOC) FAULT CODE DESCRIPTIONS		
Fault Code	Description of Error Code	Suggested Corrective Action
F001, F002, F004, F005	Touch failure	Disconnect power, wait 30 seconds and reapply power. If fault returns upon power-up replace the oven user interface board.
F003	The oven user interface board is incorrectly configured.	Replace the oven user interface board. Make sure to install the latest revision available for this model.
F010	Oven temperature runaway: the detected oven temperature is higher than the maximum safe operating temperature.	1. If oven is overheating, disconnect power. Check oven temperature probe (RTD) and replace if necessary. 2. If the oven temperature probe is good and if oven continues to overheat when power is reapplied, replace the oven relay board.
F011	Stuck key: control detects that a key is continuously pressed for 30 seconds or more. If a key was pressed inadvertently for a long time this error code will be displayed.	1. Make sure there is nothing (water, utensils) in contact with the keyboard. The fault code should go away once the key is released and the Stop key is pressed. If the F011 error comes back when a key is pressed it means the error condition is still there. If the F011 error does not come back it means the error condition is gone and the oven can be used. 2. If the fault code cannot be cleared, the board/springs alignment within the mechanical enclosure maybe affected. Reinstall the board within the enclosure. 3. If reinstalling the board did not fix the problem replace the oven user interface board.
F012	Keyboard configuration alarm: the oven user interface board received a key code that does not match the key map from the touch micro controller.	1. Verify the unit has the proper configuration is loaded, based on the model number and parts catalog. 2. If problem persists, replace the oven user interface board.
F013	Data written to non-volatile memory has failed verification.	Disconnect power, wait 30 seconds and reapply power. If fault returns upon power-up replace the oven user interface board.
F015	Keyboard error	Disconnect power, wait 30 seconds and reapply power. If fault returns upon power-up replace the oven user interface board.
F017	The oven user interface board is unable to configure the touch.	1. Disconnect power to the unit, wait 30 seconds, then reapply power. 2. Verify the unit has the proper oven user interface board and configuration, based on the model number and parts catalog. 3. If fault persists, replace the oven user interface.
F018	Oven relay board failure (wiggler)	Replace the oven relay board.
F019	The oven user interface board is unable to configure the oven relay board.	1. Disconnect power to the unit, wait 30 seconds, then reapply power. 2. If fault returns, verify connection between the oven user interface board and the oven relay board (MACS1 or MACS2 connector). 3. Verify the unit has the proper oven user interface board and oven relay board, based on the model number and parts catalog. 4. If fault persists, replace oven user interface board. 5. If fault persists, replace the relay board.
F020	Communication failure between the oven user interface board and the cooktop user interface.	1. Disconnect power, wait 30 seconds and reapply power. Check if error condition is still there. 2. Test wiring harness between oven user interface board and cooktop user interface (connector MACS1 or MACS2). 3. If wiring harness is good replace oven relay board. 4. If the problem persists replace the oven user interface.
F022	Communication failure between the oven user interface board and the oven relay board.	1. Disconnect power, wait 30 seconds and reapply power. Check if error condition is still there. 2. Test wiring harness between oven user interface board and oven relay board (connector MACS1 or MACS2). 3. If wiring harness is good replace oven relay board. 4. If the problem persists replace the oven user interface.
F023	Communication failure between the oven user interface microcontroller and the touch microcontroller	1. Disconnect power, wait 30 seconds and reapply power. Check if error condition is still there. 2. If the problem persists replace the oven user interface.
F025, F027	The communication between the oven user interface and the oven relay board cannot be initiated.	1. Disconnect power to the unit, wait 30 seconds, then reapply power. 2. If fault returns, verify connection between the oven user interface board and the oven relay board (MACS1 or MACS2 connector). 3. Verify the unit has the proper oven user interface board and oven relay board, based on the model number and parts catalog. 4. If fault persists, replace relay board. 5. If fault persists, replace the oven user interface board.
F028, F029	The communication between the oven user interface microcontroller and the touch microcontroller cannot be initiated.	1. Disconnect power to the unit, wait 30 seconds, then reapply power. 2. Verify the unit has the proper oven user interface board and configuration, based on the model number and parts catalog. 3. If fault persists, replace the oven user interface.
F030	Open oven temperature sensor (RTD)	1. Check probe circuit wiring for possible open or short condition. 2. Verify RTD resistance at room temperature (compare to probe resistance chart). If resistance does not match the chart, replace the RTD probe. 3. If the problem persists replace the oven relay board.
F031	Shorted oven temperature probe (RTD)	
F033	Meat probe temperature sensor shorted or too hot	1. The error is triggered if the meat probe sees a temperature in excess of 392°F. Make sure the meat probe was not used in such way that it could have seen such temperature. If the tip of the probe is not inserted in the meat it will see the cavity temperature, which can be higher than 392°F (depending on the setpoint) and trigger the alarm. 2. When the meat probe is connected to the socket inside the oven cavity, if the meat probe is not fully inserted into the socket it may short the contacts and cause the error. Make sure the probe is inserted as much as it can. 3. Verify meat probe resistance at room temperature. Compare to meat probe resistance chart. If the meat probe does not match the chart, replace it. 4. If the above steps failed to correct the problem, replace the oven relay board.
F45 (F47)	Cooling Fan Speed low in Upper (Lower) cavity. (Microcombi will display F45 for lower cavity)	1. Check if cooling fan blades are blocked. 2. Confirm tachometer harness is connected on fan and oven control. 3. Replace cooling fan/ replace oven control.
F46 (F48)	Cooling Fan Speed High in Upper (Lower) cavity. (Microcombi will display F46 for lower cavity)	1. Check for mechanical obstruction in the air path. 2. Replace cooling fan/ replace oven control.
F050	A/D Out of Range: the oven relay board is unable to read the status of the switches (door, MDL)	1. Clear error, cycle power a couple of times and check if error is back, if so replace power board. 2. If error persists, replace door switch plunger/s and reseal harness. 3. If error persists, check MDL and harness.
F090	MDL mechanism failure. The oven control does not see the MDL running.	1. Disconnect power to the unit, wait 30 seconds, then reapply power. Try again to make the door lock or unlock (ex: initiate a lockout or a clean cycle). Check if the MDL motor is running or not. If it is not running, test the wiring between the MDL and the oven relay board. If the wiring is good, check if there is 120VAC at the motor when it is expected to run to see if the failure originates from a bad motor (120VAC present but not turning) or a problem with the relay board (J20 pin 10 on the oven relay board is the output to the Lock Motor). The lock motor can also be tested by applying 120VAC directly to the motor (unplug it from the relay board first). If the lock motor does not run when 120VAC is applied replace the lock motor assembly. If the relay board that does not provide 120VAC to the lock motor, replace the oven relay board. 3. If the Lock Motor is running but the oven control cannot find the locked or unlocked position (ex: motor turns continuously until F90 fault code is generated) the lock switch needs to be verified. Check wiring between lock switch and oven relay board. Verify with ohmmeter if the switch makes contact properly (verify continuity with ohmmeter when the switch is pressed). If the lock switch is defective replace the motor lock assembly. 4. If all above steps failed to correct the situation, replace the oven relay board.
F095	MDL mechanism failure. The Motor Door Lock does not stop running or the Lock Switch sends an invalid signal.	1. The problem can be caused by a faulty lock switch or by a defective oven relay board. If the MDL is always running (as if the relay controlling it is stuck closed) replace the oven relay board. 2. If the motor is not always running replace the motor lock assembly.
F096	The oven door has been detected open during a self-clean cycle.	1. This error occurs if the door switch has lost its contact during a self-clean cycle. Make sure the oven door closes well and fully presses on the door switch plunger when the door is locked, and no one attempted to pull on the oven door during the self-clean cycle. 2. Test continuity of wiring between the door switch and the oven relay board, make sure the door switch is well connected. With an ohmmeter, verify the switch is closed when the plunger is pressed. If the door switch is found to be defective replace the door switch. 3. If the switch and wiring are good and the problem persists, replace the oven relay board.

ELECTRONIC OVEN CONTROL (EOC) FAULT CODE DESCRIPTIONS		
Fault Code	Description of Error Code	Suggested Corrective Action
F097	MDL invalid state	1. This error occurs when the motor door lock can't find home position. Cycle the power for 30 seconds. 2. If the error persist change OVC
F098	Magnetron case sensor probe shorted	1. This error occurs when the NTC sensor located on the magnetron fails. Replace NTC sensor. 2. Verify magnetron cooling fan functionality. If cooling fan fails, replace cooling fan. 3. If problem persists, replace magnetron.
F099	Magnetron case sensor probe open	This error occurs when the NTC sensor located on the magnetron fails. Replace NTC sensor. 1. Verify magnetron cooling fan functionality. If cooling fan fails, replace cooling fan. 2. If problem persists, replace magnetron.
F100	Magnetron case sensor temperature over-temp limit	1. This error occurs when the NTC sensor located on the magnetron detects a temperature above the limit. Turn off the microwave and wait for the temperature to cool down. 2. Replace NTC sensor. 3. Verify magnetron cooling fan functionality. If cooling fan fails, replace cooling fan. 4. If problem persists, replace magnetron.
F101	Magnetron auto power limit active (based on temperature overtemp)	1. This error occurs when the NTC sensor located on the magnetron detects a temperature above the limit and the magnetron self powered OFF. Turn off the microwave and wait for the temperature to cool down. 2. Replace NTC sensor. 3. Verify magnetron cooling fan functionality. If cooling fan fails, replace cooling fan. 4. If problem persists, replace magnetron.
F102	Magnetron auto power limit active (based on runtime limit exceeded)	1. This error occurs when the magnetron detects a running time above the maximum allowed time limit and the magnetron self powered OFF. Turn off the microwave and wait for the temperature to cool down. 2. If problem persists, replace magnetron.
F104	Loss of communication between GPU and OUI.	This error occurs when the communication between the GPU-OUI or OUI-GPU is lost. 1. Test the GPU connection and secure ribbons. 2. Cycle power to reestablish communication. 3. If problem persists, replace oven control.
F105	Wake Up procedure failure between OUI and GPU. This error occurs when the OUI can't communicate with the GPU at power up.	1. Cycle the power for 30 seconds 2. If problem persist, replace oven control (OUI and GPU).
F106	GPU configuration error. This error occurs when the configuration on the GPU fails to startup.	1. Cycle the power for 30 seconds 2. If problem persist, replace oven control (OUI and GPU).
F107	Loss of Communication Between OUI and NIU. This error occurs when the NIU stops communicating with the OUI.	Replace electronic controls (OUI-GPU-NIU)
F108	(Connection Fail – try again). NIU provisioning failed. (This error can occur only in manufacturing – not at user end). The GPU will display " Connection failed – Try again" instead of error message. This error occurs when the onboarding process failed on the NIU.	1. Verify that the network is available and connected to the Internet. 2. Cycle the power for 30 seconds and try to finalize the onboarding process again. 3. Follow screen instructions.
F109	OTA failed. This error occurs when the NIU is unable to complete an update over the network.	1. Verify that the home network is available and connected to the internet. 2. Verify that the appliance is connected to the Internet. 3. Follow the screen instructions. 4. Cycle the power and try to finalize the update. 5. If problem persists, call the brand's customer service. See Use and Care manual for contact information.
F110	NIU Serialization failed. (This error can occur only in manufacturing – not at user end). The GPU will display " Serialization Failed – Try again" instead of error message. This error occurs when the serialization process failed on the NIU.	1. Verify that the appliance is connected to the network and NIU MAC address is visible on the network. 2. Cycle the power for 30 seconds 3. Try to serialize the NIU again.
F111	Touch screen error from GPU. This error occurs when the GPU touch screen becomes irresponsive or malfunctions.	1. Cycle the power for 30 seconds. 2. If the error persists, replace GPU/OUI (electronic control board)

FICHE DE RÉPARATION CUISINIÈRE ÉLECTRIQUE AVEC RÉGULATEUR ÉLECTRONIQUE DE FOUR MODULAR

AVIS: Cette feuille de données d'entretien est destinée aux personnes ayant reçu une formation en électricité et en mécanique, et qui possèdent un niveau de connaissance jugé acceptable dans l'industrie de réparation des appareils électroménagers. Le fabricant ne peut être tenu responsable, ni assumer aucune responsabilité, pour toute blessure ou dommage de quelque nature que ce soit pouvant résulter de l'utilisation de cette feuille de données.

NOTES IMPORTANTES: Cet appareil inclut un contrôleur de four électronique. Le tableau de contrôle n'est pas réparable sur place.

Pratiques d'entretien Sécuritaires

Pour éviter tout risque de blessure et/ou dommage matériel, il est important que des pratiques d'entretien sécuritaires soient suivies. Voici quelques exemples de pratiques sécuritaires.

- N'essayez jamais de réparer un appareil si vous ne croyez pas avoir les compétences nécessaires pour le faire de manière satisfaisante et sécuritaire.
- Avant de procéder au service d'entretien ou de déplacer tout appareil ménager, débranchez le cordon d'alimentation de la prise électrique, réglez le disjoncteur de circuit à OFF, ou enlevez le fusible et fermez le robinet d'alimentation en gaz.
- N'entrez jamais l'installation adéquate de tout dispositif de sécurité.
- Utilisez que les pièces de remplacement énumérées dans le catalogue pour cet appareil. La moindre substitution risque de ne pas être conforme aux normes de sécurité établies pour les appareils électroménagers.
- Mise à la Terre: La couleur de codage standard des conducteurs de mise à la terre de sécurité est verte ou verte à barres jaunes. Les conducteurs de mise à la terre ne doivent pas être utilisés comme conducteurs de courant. Il est d'une importance capitale que le technicien d'entretien complète toutes les mises à la terre de sécurité avant de terminer le service. Si cette recommandation n'est pas suivie à la lettre, il en résultera des risques pour les personnes et les biens.

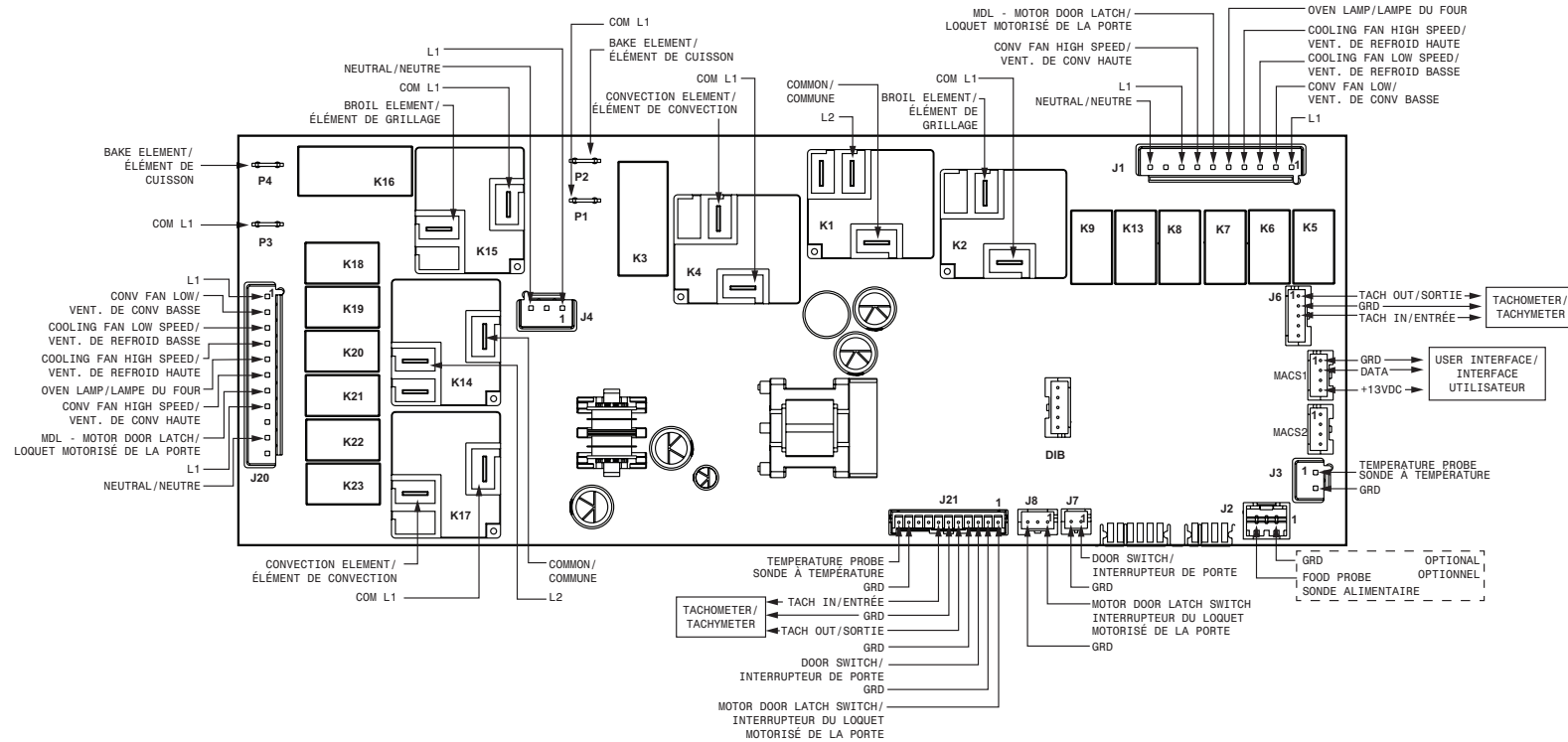
- Avant de retourner le produit au service de réparation ou d'entretien, assurez-vous que:
 - Toutes les connexions électriques sont correctes et sécuritaires.
 - Tous les conducteurs électriques sont correctement préparés et à l'abri des bords tranchants, des composants à température élevée, et des parties mobiles.
 - Toutes les bornes électriques, connecteurs, réchauffeurs, etc. dénudés sont espacés convenablement loin de toute pièce en métal et des panneaux.
 - Toutes les mises à la terre de sécurité (interne et externe) sont correctement ré-assemblées de façon sécuritaire.
 - Tous les panneaux sont correctement et fermement remontés.

Réglage de la Température

Reportez-vous au Manuel d'utilisation et d'entretien pour obtenir des instructions sur l'ajustement des températures du four.

SYSTÈME DE COMMANDES MODULAIRE

Cet appareil est muni d'un système de commandes modulaire. Le système modulaire comporte différentes cartes qui communiquent entre elles pour activer les fonctions de cuisson. Les fonctions du four, si disponibles, sont activées grâce à une interface utilisateur pour le four (IU ou TIU) et une carte de relais pour le four. Les fonctions de la surface de cuisson, sont activées grâce à un IU/PIU et une carte de relais pour la surface de cuisson. D'autres cartes dans le système peuvent activer des fonctions spécifiques (consultez les schémas et diagrammes sur cette fiche d'information). Le fonctionnement à basse tension et l'alimentation des communications pour les cartes modulaires sont assurés par les circuits de câbles. Les cartes qui génèrent la basse tension et alimentent les communications sont contrôlés par des systèmes de commandes individuels (consultez les schémas et diagrammes sur cette fiche d'information) Ces tensions sont uniquement les tensions de fonctionnement. N'utilisez pas ces tensions comme confirmation d'une transmission entre les cartes. La transmission se fait grâce à une programmation logicielle sur chaque carte. Cette transmission ne peut pas être détectée à l'aide d'un ohmmètre. La programmation est auto-contrôlée et les affichages sur l'IU montrent les codes d'erreur selon les pannes détectées. Les cartes individuelles ne peuvent pas être réparées sur place. Consultez les schémas et les diagrammes contenus dans cette fiche d'information pour en savoir plus sur un élément spécifique.



UPPER OVEN CIRCUIT ANALYSIS MATRIX FOUR SUPÉRIEUR MATRICE D'ANALYSE DU CIRCUIT	ELEMENTS ÉLÉMENTS			Door Motor Moteur Verrou	Conv. Fan Vent. Conv	Door Switch Interr. porte	DLB L2 out/sortie	Cooling Fan Vent. Refroid
	Bake Cuisson	Broil Gril	Conv.					
Bake Cuisson	X	X	X		X		X	X
Broil Gril		X					X	X
Conv. Bake Cuisson Conv.	X	X	X		X		X	X
Conv. Roast Rôtissage Conv	X	X	X		X		X	X
Clean Nettoyage	X	X	X				X	X
Locking Verrouillage				X				
Locked Verrouillé				X				
Unlocking Déverrouillage								
Unlocked Déverrouillé								
Door Open Porte Ouverte						X		
Door Closed Porte Fermée								
Air Sous Vide			X		X		X	
Dehydrate			X		X		X	

NOTES: Bake, broil, and convection elements alternate cycles. Convection fans may run during preheat and may run intermittently during non-convection functions to improve cooking performance.

NOTES: cycles de cuisson, de grill et de convection alternés. Les ventilateurs de convection peuvent fonctionner pendant le préchauffage et peuvent fonctionner de manière intermittente pendant les fonctions de non convection pour améliorer les performances de cuisson.

LOWER OVEN CIRCUIT ANALYSIS MATRIX FOUR INFÉRIEUR MATRICE D'ANALYSE DU CIRCUIT	ELEMENTS ÉLÉMENTS			Door Motor Moteur Verrou	Conv. Fan Vent. Conv	Door Switch Interr. porte	DLB L2 out/sortie	Cooling Fan Vent. Refroid
	Bake Cuisson	Broil Gril	Conv.					
Bake Cuisson	X	X	X				X	X
Broil Gril		X					X	X
Conv. Bake Cuisson Conv.	X	X	X				X	X
Conv. Roast Rôtissage Conv	X	X	X				X	X
Clean Nettoyage	X	X	X				X	X
Locking Verrouillage				X				
Locked Verrouillé				X				
Unlocking Déverrouillage								
Unlocked Déverrouillé								
Door Open Porte Ouverte								
Door Closed Porte Fermée						X		
Air Sous Vide			X		X		X	
Dehydrate			X		X		X	

NOTES: Bake, broil, and convection elements alternate cycles. Convection fans may run during preheat and may run intermittently during non-convection functions to improve cooking performance.

NOTES: cycles de cuisson, de grill et de convection alternés. Les ventilateurs de convection peuvent fonctionner pendant le préchauffage et peuvent fonctionner de manière intermittente pendant les fonctions de non convection pour améliorer les performances de cuisson.

IMPORTANT
N'ENLEVEZ PAS CE SAC OU NE
DÉTRUISEZ PAS SON CONTENU
CONTIENT LES SCHÉMAS DE CÂBLAGE ET
LES INFORMATIONS DE RÉPARATION
REMETTRE LE CONTENU
DANS LE SAC

SONDE À VIANDE TEMPÉRATURE VS RÉSISTANCE	
Température °F (°C)	Résistance (Kohm)
77 (25)	50.0 ± 7%
122 (50)	18.0 ± 4.9%
176 (80)	6.3 ± 3.3%
212 (100)	3.4 ± 4.6%

ÉCHELLE DU DÉTECTEUR DE TEMPÉRATURE À RÉSISTANCE	
Température °F (°C)	Résistance (ohms)
32 ± 1,9 (0 ± 1,0)	1 000 ± 4,0
75 ± 2,5 (24 ± 1,3)	1 091 ± 5,3
250 ± 4,4 (121 ± 2,4)	1 453 ± 8,9
350 ± 5,4 (177 ± 3,0)	1 654 ± 10,8
450 ± 6,9 (232 ± 3,8)	1 852 ± 13,5
550 ± 8,2 (288 ± 4,5)	2 047 ± 15,8
650 ± 9,6 (343 ± 5,3)	2 237 ± 18,5
900 ± 13,6 (482 ± 7,5)	2 697 ± 24,4
Circuit de la sonde mise à la terre à la caisse	Circuit ouvert/résistance infinie

DESCRIPTIONS DES CODES D'ANOMALIE DU RÉGULATEUR ÉLECTRONIQUE DE FOUR		
Code	Description de l'erreur	Actions correctives suggérées
F001, F002, F004, F005	Défaillance de raccord	Coupez l'alimentation électrique, attendez 30 secondes, puis rebranchez l'appareil. Si le problème n'est pas réglé, remplacez la carte d'interface utilisateur du four.
F003	La carte d'interface utilisateur du four est mal configurée.	Remplacez la carte d'interface utilisateur du four. Veillez à installer la dernière révision disponible pour ce modèle.
F010	Emballement de la température du four : la température du four est supérieure à la température de fonctionnement sécuritaire.	<ol style="list-style-type: none"> Si le four surchauffe, coupez l'alimentation électrique. Vérifiez la sonde du détecteur de température (DTR) du four et remplacez-la, le cas échéant. Si la sonde du détecteur de température du four ne présente pas de défaillance et que le four surchauffe toujours lorsqu'il est alimenté, remplacez le panneau de relais du four.
F011	Touche coincée : le four détecte qu'une touche est enfoncée en continu pendant 30 secondes ou plus. Si une touche a été enfoncée par inadvertance pendant longtemps, ce code d'erreur sera affiché.	<ol style="list-style-type: none"> Assurez-vous qu'il n'y a rien (eau, ustensiles) qui entre en contact avec le clavier. Le code de défaillance devrait disparaître une fois que la touche est relâchée et que la touche Arrêt est enfoncée. Si le code d'erreur F011 s'affiche de nouveau lorsque vous appuyez sur une touche, cela signifie que la condition d'erreur subsiste toujours. Si le code d'erreur F011 ne s'affiche plus, cela signifie que la condition d'erreur est disparue et que le four peut être utilisé. Si le code de défaillance ne peut pas être effacé, l'alignement de la carte/des ressorts dans l'enceinte mécanique peut être affecté. Réinstallez la carte dans l'enceinte. Si la réinstallation de la carte n'a pas permis de résoudre le problème, remplacez la carte d'interface utilisateur du four.
F012	Alarme de configuration du clavier : la carte d'interface utilisateur du four a reçu un code de touche qui ne correspond pas à la carte des touches du microcontrôleur tactile.	<ol style="list-style-type: none"> Vérifiez que la configuration appropriée de l'appareil est téléchargée, en fonction du numéro de modèle et du catalogue des pièces. Si le problème persiste, remplacez la carte d'interface utilisateur du four.
F013	Les données enregistrées dans la mémoire non volatile n'ont pas pu être vérifiées.	Coupez l'alimentation électrique, attendez 30 secondes, puis rebranchez l'appareil. Si le problème n'est pas réglé, remplacez la carte d'interface utilisateur du four.
F015	Erreur du clavier	Coupez l'alimentation électrique, attendez 30 secondes, puis rebranchez l'appareil. Si le problème n'est pas réglé, remplacez la carte d'interface utilisateur du four.
F017	La carte d'interface utilisateur du four ne parvient pas à configurer la touche.	<ol style="list-style-type: none"> Coupez l'alimentation électrique de l'appareil, attendez 30 secondes, puis rebranchez-le. Vérifiez que l'appareil dispose de la bonne carte d'interface utilisateur du four et de la configuration appropriée en fonction du numéro de modèle et du catalogue des pièces. Si le problème persiste, remplacez la carte d'interface utilisateur du four.
F018	Défaillance du panneau de relais du four (onduleur)	Remplacez le panneau de relais du four.
F019	La carte d'interface utilisateur du four ne parvient pas à configurer le panneau de relais du four.	<ol style="list-style-type: none"> Coupez l'alimentation électrique de l'appareil, attendez 30 secondes, puis rebranchez-le. Si le problème n'est pas réglé, vérifiez la connexion entre la carte d'interface utilisateur du four et le panneau de relais du four (connecteur MACS1 ou MACS2). Vérifiez que l'appareil dispose de la bonne carte d'interface utilisateur du four et du panneau de relais du four approprié en fonction du numéro de modèle et du catalogue des pièces. Si le problème persiste, remplacez la carte d'interface utilisateur du four. Si le problème persiste, remplacez le panneau de relais.
F020	Échec de communication entre la carte d'interface utilisateur du four et l'interface utilisateur de la table de cuisson.	<ol style="list-style-type: none"> Coupez l'alimentation électrique, attendez 30 secondes, puis rebranchez l'appareil. Vérifiez si la condition d'erreur est encore présente. Testez le faisceau de câbles entre la carte d'interface utilisateur du four et l'interface utilisateur de la table de cuisson (connecteur MACS1 ou MACS2). Si le faisceau fonctionne correctement, remplacez le panneau de relais du four. Si le problème persiste, remplacez la carte d'interface utilisateur du four.
F022	Problème de communication entre la carte d'interface utilisateur du four et le panneau de relais du four.	<ol style="list-style-type: none"> Coupez l'alimentation électrique, attendez 30 secondes, puis rebranchez l'appareil. Vérifiez si la condition d'erreur est encore présente. Testez le faisceau de câbles entre la carte d'interface utilisateur du four et le panneau de relais du four (connecteur MACS1 ou MACS2). Si le faisceau fonctionne correctement, remplacez le panneau de relais du four. Si le problème persiste, remplacez la carte d'interface utilisateur du four.
F023	Panne de communication entre le microcontrôleur d'interface utilisateur du four et le microcontrôleur tactile	<ol style="list-style-type: none"> Coupez l'alimentation électrique, attendez 30 secondes, puis rebranchez l'appareil. Vérifiez si la condition d'erreur est encore présente. Si le problème persiste, remplacez la carte d'interface utilisateur du four.
F025, F027	La communication entre l'interface utilisateur du four et le panneau de relais du four ne peut pas être établie.	<ol style="list-style-type: none"> Coupez l'alimentation électrique de l'appareil, attendez 30 secondes, puis rebranchez-le. Si le problème n'est pas réglé, vérifiez la connexion entre la carte d'interface utilisateur du four et le panneau de relais du four (connecteur MACS1 ou MACS2). Vérifiez que l'appareil dispose de la bonne carte d'interface utilisateur du four et du panneau de relais du four approprié en fonction du numéro de modèle et du catalogue des pièces. Si le problème persiste, remplacez le panneau de relais. Si le problème n'est pas réglé, remplacez la carte d'interface utilisateur du four.
F028, F029	La communication entre le microcontrôleur d'interface utilisateur et le microcontrôleur tactile ne peut pas être établie.	<ol style="list-style-type: none"> Coupez l'alimentation électrique de l'appareil, attendez 30 secondes, puis rebranchez-le. Vérifiez que l'appareil dispose de la bonne carte d'interface utilisateur du four et de la configuration appropriée en fonction du numéro de modèle et du catalogue des pièces. Si le problème persiste, remplacez la carte d'interface utilisateur du four.
F030	Détecteur de température du four (DTR) ouvert	<ol style="list-style-type: none"> Vérifiez le câblage dans le circuit de la sonde pour vérifier s'il y a un problème de court-circuit ou de contact coupé. Vérifiez la résistance du détecteur de température à la température de la pièce (comparez-la au tableau de résistance de la sonde du détecteur de température à résistance). Si la résistance ne correspond pas à celle du tableau, remplacez la sonde du détecteur de température à résistance. Si le problème persiste, remplacez le panneau de relais du four.
F031	Court-circuit de la sonde du détecteur de température du four (DTR)	<ol style="list-style-type: none"> Vérifiez le câblage dans le circuit de la sonde pour vérifier s'il y a un problème de court-circuit ou de contact coupé. Vérifiez la résistance du détecteur de température à la température de la pièce (comparez-la au tableau de résistance de la sonde du détecteur de température à résistance). Si la résistance ne correspond pas à celle du tableau, remplacez la sonde du détecteur de température à résistance. Si le problème persiste, remplacez le panneau de relais du four.
F033	Le capteur de température de la sonde thermique a subi un court-circuit ou est trop chaud.	<ol style="list-style-type: none"> L'erreur est déclenchée si la sonde thermique détecte une température supérieure à 200 °C (392 °F). Assurez-vous que la sonde n'a pas été utilisée dans de telles températures. Si la pointe de la sonde n'est pas insérée dans la viande, elle indiquera la température de la cavité, qui peut être supérieure à 200 °C (392 °F) (selon le point de déclenchement) et déclencher l'alarme. Lorsque la sonde thermique est connectée à la prise située à l'intérieur de la cavité du four et qu'elle n'est pas complètement insérée dans la prise, cela peut provoquer un court-circuit des contacts et une erreur. Assurez-vous que la sonde est insérée aussi profondément que possible. Vérifiez la résistance de la sonde thermique à la température de la pièce. Comparez au tableau de résistance de la sonde. Si la résistance de la sonde ne se trouve pas dans le tableau, remplacez la sonde. Si les étapes ci-dessus ne permettent pas de résoudre le problème, remplacez le panneau de relais du four.
F45, F47	La vitesse du ventilateur de refroidissement est lente dans le four supérieur (inférieur). (Le microcombi affichera F45 pour la cavité inférieure)	<ol style="list-style-type: none"> Vérifiez si les lames du ventilateur de refroidissement sont coincées. Confirmez que le faisceau du tachymètre est connecté au ventilateur et aux commandes du four. Remplacez le ventilateur de refroidissement/la commande du four.
F46, F48	La vitesse du ventilateur de refroidissement est rapide dans le four supérieur (inférieur). (Le microcombi affichera F46 pour la cavité inférieure)	<ol style="list-style-type: none"> Assurez-vous qu'une obstruction mécanique ne bloque pas le flux d'air. Remplacez le ventilateur de refroidissement/la commande du four.
F050	A/D hors plage : le panneau de relais du four ne peut pas lire l'état des interrupteurs (porte, loquet motorisé de la porte).	<ol style="list-style-type: none"> Effacez l'erreur, redémarrez l'alimentation plusieurs fois et, si l'erreur est de retour, remplacez le panneau de contrôle. Si l'erreur persiste, remplacez le(s) bouton(s) de l'interrupteur de porte et réinstallez le faisceau. Si l'erreur persiste, vérifiez le loquet motorisé de la porte et le faisceau.
F090	Défaillance du loquet motorisé de la porte. Les commandes du four ne voient pas le loquet motorisé activé de la porte.	<ol style="list-style-type: none"> Coupez l'alimentation électrique de l'appareil, attendez 30 secondes, puis rebranchez-le. Essayez à nouveau de verrouiller ou de déverrouiller la porte (par exemple : activez un cycle de verrouillage ou de nettoyage). Vérifiez si le moteur du loquet de verrouillage fonctionne ou non. S'il ne fonctionne pas, testez le câblage entre le moteur de verrouillage et le panneau de relais du four. Si le câblage n'est pas défectueux, vérifiez s'il existe une tension de 120 V CA au moteur lorsqu'il doit fonctionner pour voir si la défaillance provient d'un moteur défectueux (l'alimentation de 120 V CA est présente, mais le four ne fonctionne pas) ou d'un problème avec le panneau de relais (J20 broche 10 sur le panneau de relais du four est la sortie du moteur de verrouillage). Le moteur de verrouillage peut également être testé en appliquant 120 V CA directement au moteur (débranchez-le d'abord du panneau de relais). Si le moteur de verrouillage ne fonctionne pas lorsque 120 V CA sont appliqués, remplacez l'ensemble du moteur de verrouillage. Si le panneau de relais ne fournit pas 120 V CA au moteur de verrouillage, remplacez le panneau de relais du four. Si le moteur de verrouillage est en marche, mais les commandes du four ne trouvent pas la position verrouillée ou déverrouillée (par exemple : le moteur fonctionne continuellement jusqu'à ce que le code d'erreur F90 soit affiché), l'interrupteur de verrouillage doit être vérifié. Vérifiez le câblage entre l'interrupteur de verrouillage et le panneau de relais du four. Vérifiez, avec l'ohmmètre, si l'interrupteur établit un bon contact (vérifiez la continuité avec l'ohmmètre lorsque vous appuyez sur l'interrupteur). Si l'interrupteur de verrouillage est défectueux, remplacez l'ensemble du moteur de verrouillage. Si les étapes ci-dessus ne permettent pas de résoudre le problème, remplacez le panneau de relais du four.
F095	Défaillance du loquet motorisé de la porte. Le loquet motorisé ne s'arrête pas ou l'interrupteur de verrouillage envoie un signal non valide.	<ol style="list-style-type: none"> Le problème peut être causé par un interrupteur de verrouillage défectueux ou par un panneau de relais du four défectueux. Si le loquet motorisé de la porte est toujours actif (comme si le relais le contrôlant était coincé en position fermée), remplacez le panneau de relais du four. Si le moteur ne fonctionne pas toujours, remplacez l'ensemble du moteur de verrouillage.

DESCRIPTIONS DES CODES D'ANOMALIE DU RÉGULATEUR ÉLECTRONIQUE DE FOUR		
Code	Description de l'erreur	Actions correctives suggérées
F096	La porte du four a été détectée ouverte pendant un cycle d'autonettoyage.	<ol style="list-style-type: none"> Cette erreur se produit si l'interrupteur de la porte a perdu son contact pendant un cycle d'autonettoyage. Assurez-vous que la porte du four se ferme correctement et que vous appuyez à fond sur le bouton de la porte lorsque la porte est verrouillée, et que personne n'a tenté de tirer sur la porte du four pendant le cycle d'autonettoyage. Testez la continuité du câblage entre l'interrupteur de porte et le panneau de relais du four, assurez-vous que l'interrupteur de porte est bien connecté. Avec un ohmmètre, vérifiez que l'interrupteur est fermé lorsque vous appuyez sur le bouton. Si l'interrupteur de porte s'avère défectueux, remplacez-le. Si l'interrupteur et le câblage ne sont pas défectueux et que le problème persiste, remplacez le panneau de relais du four.
F097	État invalide du loquet motorisé de la porte	<ol style="list-style-type: none"> Cette erreur se produit lorsque le loquet motorisé de la porte ne trouve pas la position d'origine. Coupez l'alimentation pendant 30 secondes. Si l'erreur persiste, remplacez les commandes du four.
F098	La sonde de capteur du boîtier du magnétron est court-circuitée	<ol style="list-style-type: none"> Cette erreur se produit lorsque le capteur de la thermistance (CTN) situé sur le magnétron tombe en panne. Remplacez le capteur de la CTN. Vérifiez le fonctionnement du ventilateur de refroidissement du magnétron. Si le ventilateur de refroidissement ne fonctionne pas, remplacez-le. Si le problème persiste, remplacez le magnétron.
F099	La sonde de capteur du boîtier du magnétron est ouverte	Cette erreur se produit lorsque le capteur de la thermistance (CTN) situé sur le magnétron tombe en panne. Remplacez le capteur de la CTN. Vérifiez le fonctionnement du ventilateur de refroidissement du magnétron. Si le ventilateur de refroidissement ne fonctionne pas, remplacez-le. Si le problème persiste, remplacez le magnétron.
F100	Limite de surchauffe de la température du capteur du boîtier du magnétron atteinte	<ol style="list-style-type: none"> Cette erreur se produit lorsque le capteur de la thermistance (CTN) situé sur le magnétron détecte une température supérieure à la limite. Éteignez le micro-ondes et attendez que la température descende. Remplacez le capteur de la CTN. Vérifiez le fonctionnement du ventilateur de refroidissement du magnétron. Si le ventilateur de refroidissement ne fonctionne pas, remplacez-le. Si le problème persiste, remplacez le magnétron.
F101	La limite de puissance automatique du magnétron est activée (à la suite de l'atteinte d'une température excessive)	<ol style="list-style-type: none"> Cette erreur se produit lorsque le capteur de la thermistance (CTN) situé sur le magnétron détecte une température supérieure à la limite et que le magnétron se met hors tension automatiquement. Éteignez le micro-ondes et attendez que la température descende. Remplacez le capteur de la CTN. Vérifiez le fonctionnement du ventilateur de refroidissement du magnétron. Si le ventilateur de refroidissement ne fonctionne pas, remplacez-le. Si le problème persiste, remplacez le magnétron.
F102	La limite de puissance automatique du magnétron est activée (à la suite du dépassement de la limite de temps d'exécution)	<ol style="list-style-type: none"> Cette erreur se produit lorsque le magnétron détecte un temps de fonctionnement supérieur à la limite de temps maximum autorisée et que le magnétron se met hors tension automatiquement. Éteignez le micro-ondes et attendez que la température descende. Si le problème persiste, remplacez le magnétron.
F104	Perte de communication entre l'unité de traitement graphique (GPU) et l'interface utilisateur du four (OUI).	Cette erreur se produit lorsque la communication entre la GPU-OUI ou la OUI-GPU est perdue. <ol style="list-style-type: none"> Testez la connexion de la GPU et fixez solidement les rubans. Arrêtez l'appareil et remettez-le sous tension pour rétablir la communication. Si le problème persiste, remplacez la commande du four.
F105	Échec de la procédure de réveil entre l'interface utilisateur du four (OUI) et l'unité de traitement graphique (GPU). Cette erreur se produit lorsque la OUI ne peut pas communiquer avec la GPU à la mise sous tension.	<ol style="list-style-type: none"> Coupez l'alimentation pendant 30 secondes. Si le problème persiste, remplacez la commande du four (OUI et GPU).
F106	Erreur de configuration de l'unité de traitement graphique (GPU). Cette erreur se produit lorsque la configuration sur la GPU ne démarre pas.	<ol style="list-style-type: none"> Coupez l'alimentation pendant 30 secondes. Si le problème persiste, remplacez la commande du four (OUI et GPU).
F107	Perte de communication entre l'interface utilisateur du four (OUI) et l'unité d'intégration de réseau (NIU). Cette erreur se produit lorsque la NIU cesse de communiquer avec la OUI.	Remplacez les commandes électroniques (OUI-GPU-NIU).
F108	(Échec de la connexion – réessayez). Le provisionnement de l'unité d'intégration de réseau (NIU) a échoué. (Cette erreur ne peut se produire que lors de la fabrication – pas du côté de l'utilisateur.) La GPU affichera « Échec de la connexion. Réessayez. » au lieu du message d'erreur. Cette erreur se produit lorsque le processus de provisionnement a échoué sur la NIU.	<ol style="list-style-type: none"> Vérifiez que le réseau est disponible et connecté à Internet. Coupez l'alimentation pendant 30 secondes et essayez à nouveau de finaliser le processus de provisionnement. Suivez les directives à l'écran.
F109	La mise à jour en direct (OTA) a échoué. Cette erreur se produit lorsque la NIU est incapable d'effectuer une mise à jour sur le réseau.	<ol style="list-style-type: none"> Vérifiez que le réseau domestique est disponible et connecté à Internet. Vérifiez que l'appareil est connecté à Internet. Suivez les directives à l'écran. Coupez l'alimentation et remettez l'appareil en marche, puis essayez à nouveau de finaliser la mise à jour. Si le problème persiste, appelez le service client de la marque. Consultez le manuel d'utilisation et d'entretien pour obtenir les coordonnées.
F110	La sérialisation de l'unité d'intégration de réseau (NIU) a échoué. (Cette erreur ne peut se produire que lors de la fabrication – pas du côté de l'utilisateur.) La GPU affichera « Serialization failed – Try again » (Échec de la sérialisation – réessayez) au lieu du message d'erreur. Cette erreur se produit lorsque le processus de sérialisation a échoué sur la NIU.	<ol style="list-style-type: none"> Vérifiez que l'appareil est connecté au réseau et que l'adresse MAC de la NIU est visible sur le réseau. Coupez l'alimentation pendant 30 secondes. Essayez à nouveau de sérialiser la NIU.
F111	Erreur d'écran tactile de l'unité de traitement graphique (GPU). Cette erreur se produit lorsque l'écran tactile de la GPU ne répond plus ou fonctionne mal.	<ol style="list-style-type: none"> Coupez l'alimentation pendant 30 secondes. Si l'erreur persiste, remplacez la GPU/OUI (carte de commande électronique).