








INSTALLATION INSTRUCTIONS

Step 1. Check Package Contents

Mounting hardware kit includes the following:

Part		Quantity
a.	Mounting brackets 	2 for shades up to 45" wide, 3 for shades up to 72" wide
b.	Extension brackets (for outside mounts) 	2 for shades up to 45" wide, 3 for shades up to 72" wide
c.	Screws 4x25 mm 	4 for shades up to 45" wide, 6 for shades up to 72" wide
d.	Wall anchors 6x30 mm 	4 for shades up to 45" wide, 6 for shades up to 72" wide
e.	Nuts 	2 for shades up to 45" wide, 3 for shades up to 72" wide
f.	Washers 	2 for shades up to 45" wide, 3 for shades up to 72" wide
g.	Bolts 	2 for shades up to 45" wide, 3 for shades up to 72" wide

Step 2. Tools Required



pencil



tape measure



level



screwdriver



step stool



drill



wrench

Step 3. Installation

Your blind may be installed either inside the window frame or outside the window frame.

Wallboard or Plaster: use wall anchors.

Concrete, Stone, Brick: use a masonry drill bit and anchors or screws specifically designed for masonry (not included).

Inside Mounting: One bracket should be positioned about 2" to 6" from each end of the head rail. For wider shades that require 3 or 4 brackets, these should be spread evenly between the two outermost brackets.

Attach each bracket to the inner top of the window opening using the screws provided. Pre-drill the screw holes using 5/64" drill bit.

The extension brackets are not used for inside mounts (Image A).

For flush inside mounts, attach the brackets to the head rail first (see drawings and attachment instructions below), and then position the shade in the window opening as desired. Then make pencil marks at the back of each bracket. Align the brackets with the pencil marks, and then screw them in place as described above.

Outside Mounting: attach the extension brackets to the wall or window framing. One bracket should position about 2" to 6" from each end of the head rail.

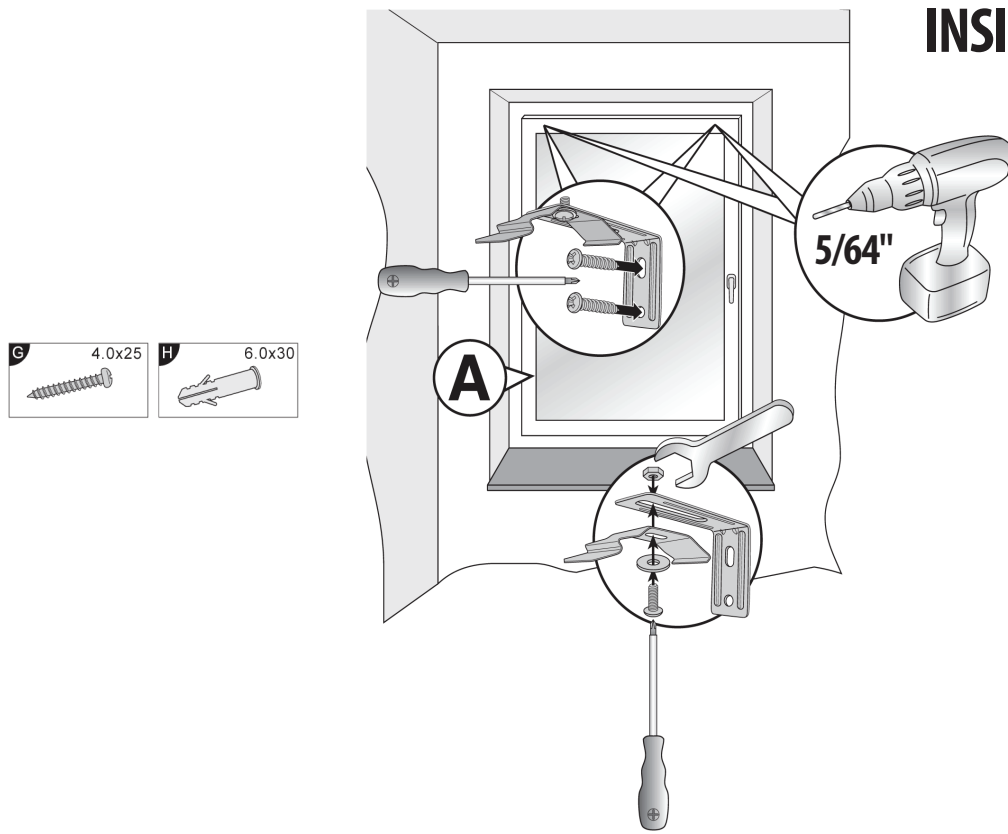
For wider shades that require 3 or 4 brackets, these should be spaced evenly between the two outermost brackets.

Pre-drill the screw holes using a 5/64" drill bit (Image B).

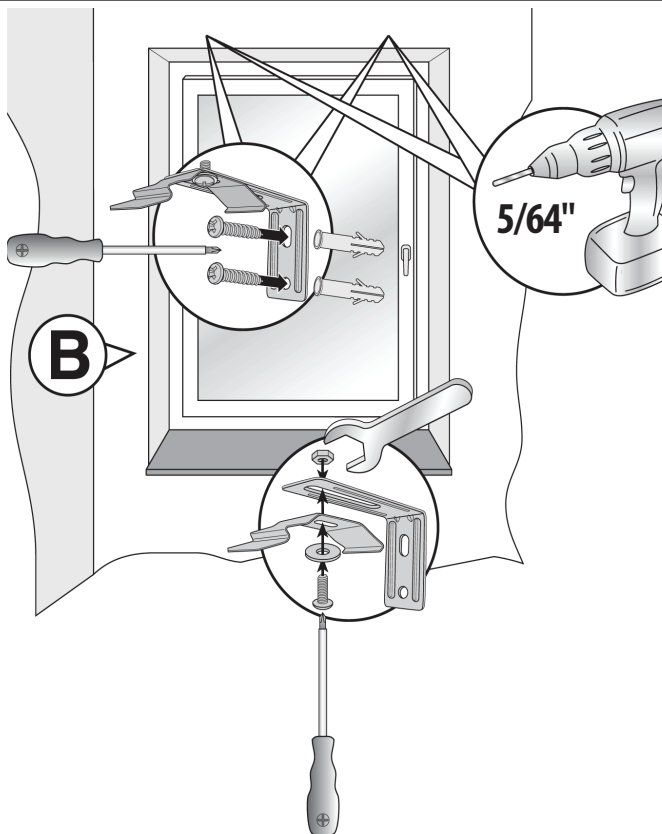
The brackets must be level - use a level if necessary to assure proper alignment.

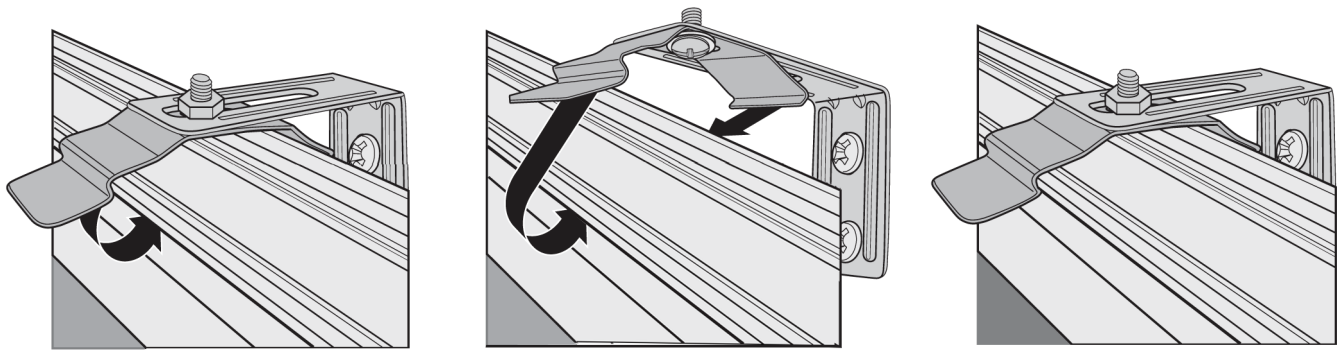
Then attach a Mounting Bracket to each Extension Bracket using the nut and bolt pre- attached to each Extension Bracket (Image C).

INSIDE MOUNTING

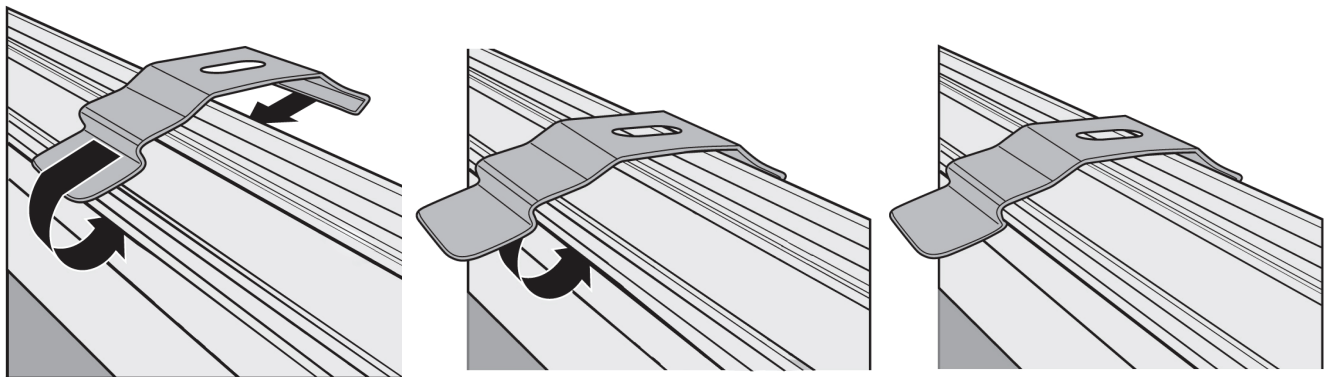


OUTSIDE MOUNTING





C



D