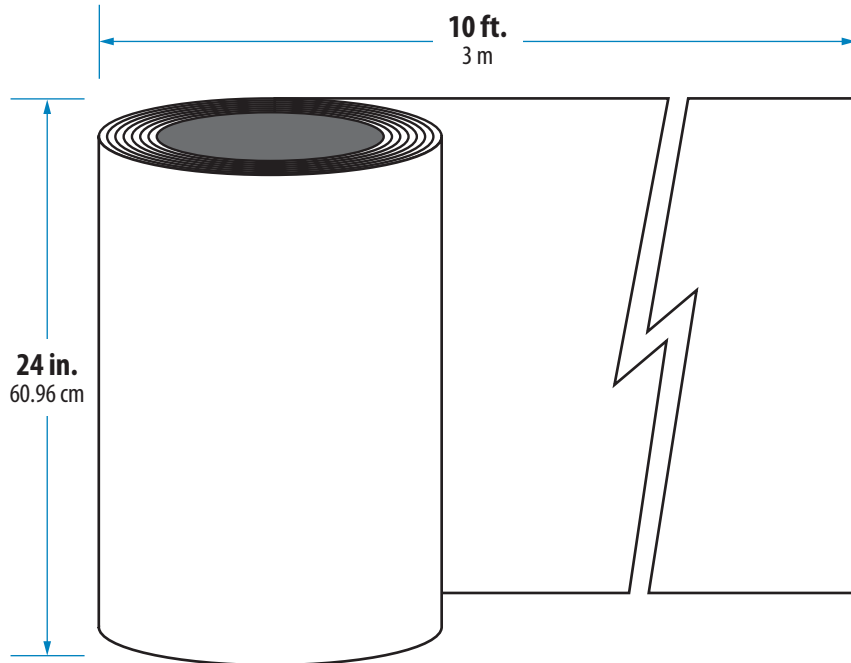


0.010 Aluminum - 20 in. x 10 ft.



Mill