

Features

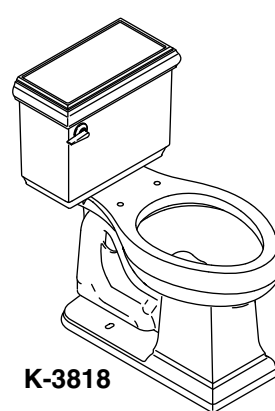
- Vitreous china
- Elongated bowl
- AquaPiston® flushing system
- Polished chrome trip lever
- Less seat and supply
- 12" (305 mm) rough-in
- 1.6 gpf (6.0 lpf)
- 2-1/8" (54 mm) glazed trapway
- 11-3/4" (298 mm) x 9-1/2" (241 mm) water area
- 30-3/8" (772 mm) x 17-13/16" (452 mm) x 31-7/16" (799 mm) [K-3818]
- 30-3/8" (772 mm) x 18-7/8" (479 mm) x 31-1/16" (789 mm) [K-3819]

COMFORT HEIGHT® TOILET K-3818 ALSO K-3819

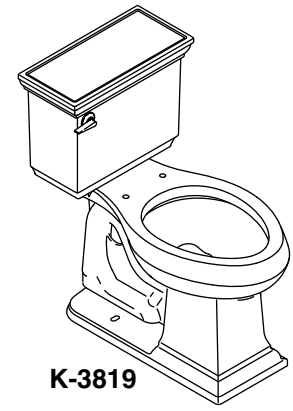
ADA

CSA B651

OBC



K-3818



K-3819

Codes/Standards Applicable

Specified model meets or exceeds the following:

- ADA
- ICC/ANSI A117.1
- CSA B651
- OBC
- ASME A112.19.2/CSA B45.1
- Energy Policy Act of 1992

Colors/Finishes

- 0: White
- Other: Refer to Price Book for additional colors/finishes

Accessories

- 0: White
- CP: Polished Chrome
- PB: Vibrant® Polished Brass
- Other: Refer to Price Book for additional colors/finishes

Specified Model

Model	Description	Trip Lever	Colors/Finishes	
K-3818	Comfort Height toilet - Classic design	left-hand	<input type="checkbox"/> 0	<input type="checkbox"/> Other_____
K-3819	Comfort Height toilet - Stately design	left-hand	<input type="checkbox"/> 0	<input type="checkbox"/> Other_____

Recommended Accessories

K-4650	Lustra™ elongated open-front seat – for Accessibility compliance	<input type="checkbox"/> 0			<input type="checkbox"/> Other_____
K-7637	Angle supply with stop – 3/8" NPT		<input type="checkbox"/> CP	<input type="checkbox"/> PB	<input type="checkbox"/> Other_____

Product Specification

The elongated bowl toilet shall be made of vitreous china. Toilet shall be 30-3/8" (772 mm) in length, 18-7/8" (479 mm) in width, and 31-1/16" (789 mm) in height [K-3819] or 30-3/8" (772 mm) in length, 17-13/16" (452 mm) in width, and 31-7/16" (799 mm) in height [K-3818]. Toilet shall have an 11-3/4" (298 mm) by 9-1/2" (241 mm) water area. Toilet shall be 12" (305 mm) rough-in with 2-1/8" (54 mm) glazed trapway. Toilet shall be 1.6 gpf (6.0 lpf) with AquaPiston flushing system. Toilet shall include polished chrome trip lever. Toilet shall be less seat and supply. Elongated bowl toilet shall be Kohler Model K-_____-_____.

MEMOIRS®

Optional Accessories

K-9167 Trip lever (non-CP finish)

PB

Other_____

Technical Information

Fixture:	
Configuration	two-piece, elongated
Water per flush	1.6 gpf (6.0 lpf)
Passageway	2-1/8" (54 mm)
Water area	11-3/4" (298 mm) x 9-1/2" (241 mm)
Water depth from rim	6-1/8" (156 mm)
Seat post hole centers	5-1/2" (140 mm)

Included components:	
Bowl	K-4380
Tank with Classic design OR	K-4641
Tank with Stately design	K-4642
Tank cover with Classic design OR	1052861
Tank cover with Stately design	1052862
Trip lever	K-9167 (cont.)

(cont.) Bolt cap accessory pack

1013092

Installation Notes

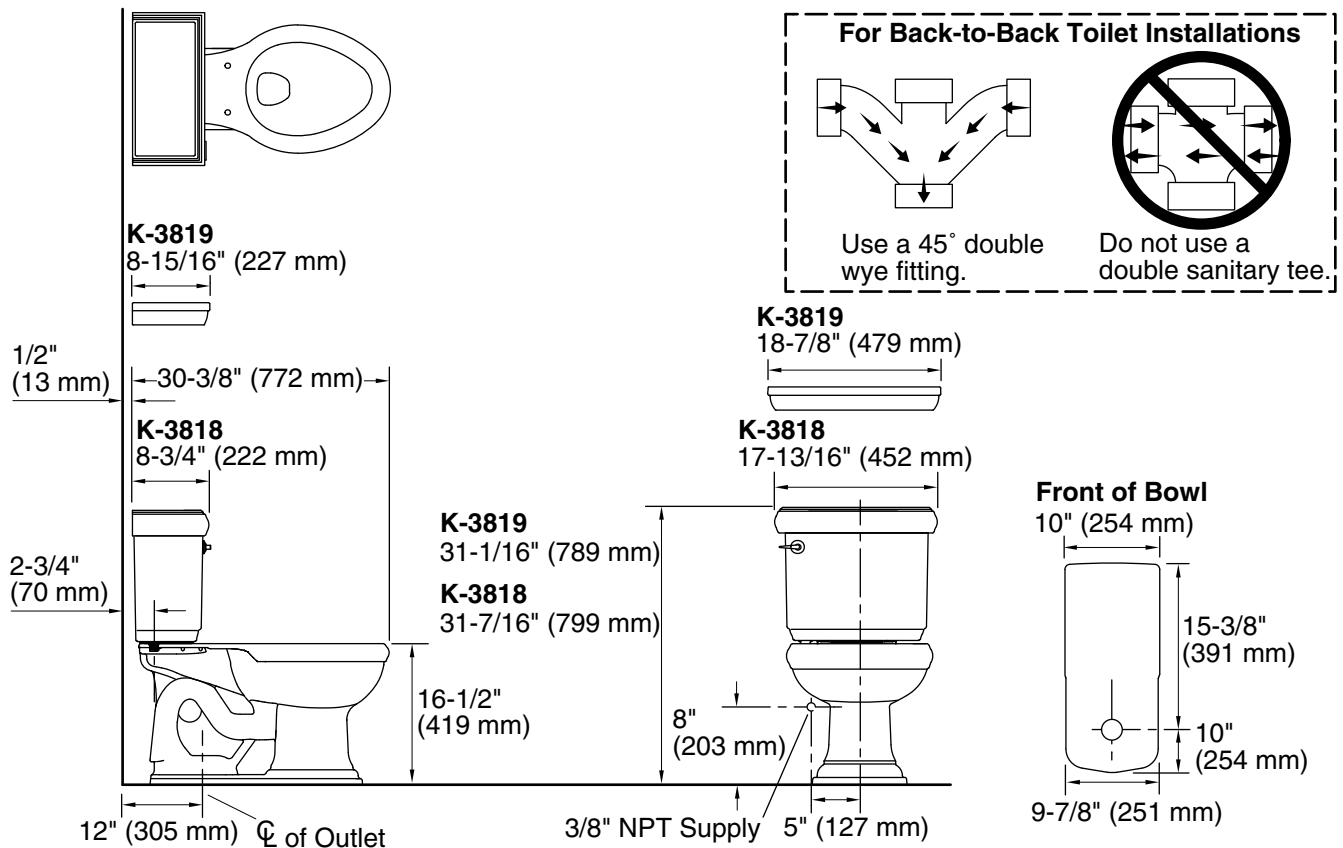
Install this product according to the installation guide.

For back-to-back toilet installations: Use only a 45° double wye fitting.

Will comply with the Americans with Disabilities Act (**ADA**) when installed per the requirements of the 2010 ADA Standards for Accessible Design, Section 604 Water Closets, of the Act. The Model Plumbing Codes require the installation of elongated open-front toilet seats in public bathrooms.

Will comply with **CSA B651** when installed per Clause 4.3.6 of the standard.

Will comply with **OBC** Barrier Free requirements when installed per Clause 3.8.3.8 and 3.8.3.9.



Product Diagram