

USER MANUAL

TURBRO

ELECTRIC
FIREPLACE INSERT

n-Flames

INF23 INF26 INF33

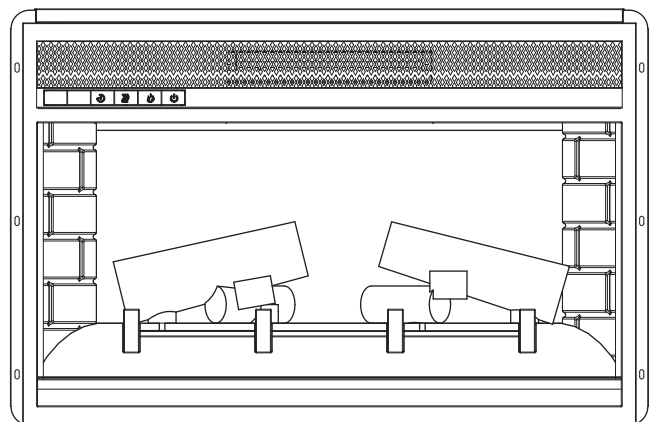
IMPORTANT SAFEGUARDS

READ ALL INSTRUCTIONS BEFORE USE.

WARNING!

FAILURE TO FOLLOW INSTRUCTIONS MAY
LEAD TO DAMAGE OF THE MACHINE OR
PERSONAL INJURY.

RETAIN THIS MANUAL FOR
FUTURE REFERENCE



Contents

Contents	01
Safety Information	02
Pre-installation	04
Installation	05
Operation	07
FCC/IC Information	10
Troubleshooting	11
Warranty	12

WARNING

Any attempt to disassemble or modify the product may cause damage.

When using this fireplace for the first time, or after a long period of storage, let the fireplace run for at least 15 minutes with the thermostat set at “maximum” to remove the “new product” smell. This is because the fireplace absorbs moisture, creating an odor similar to that of old leather.

Safety Information

Please read all instructions before attempting to assemble, operate or install the product.

- Do not use this fireplace with missing, damaged, or broken legs.
- Do not use outdoors.
- This fireplace is not intended for use in bathrooms, laundry areas, and similar indoor locations. Do not place this appliance where it may fall into a bathtub or other water containers.
- This appliance is hot when in use. To avoid burns, do not touch surfaces with bare skin. If necessary, use handles when moving the fireplace. Keep combustible materials, such as furniture, pillows, bedding, papers, clothes and curtains at least 3 ft. (914 mm) from the appliance.
- Do not use this fireplace in elevated locations, such as on shelves, raised platforms, etc.
- Do not run the cord under carpeting. Do not cover the cord with throw rugs, runners and the like. Arrange the cord away from high traffic areas so that they will not be tripped over.
- Extreme caution is necessary when the fireplace is used by or near children or invalids and whenever the fireplace is left operating unattended.
- Do not operate the fireplace with a damaged cord or plug or after the appliance malfunctions, or is damaged. Any repairs to this appliance should be carried out by a qualified service person.
- Under no circumstances should this appliance be modified.
- Connect to properly grounded outlets only.
- Always plug the fireplace directly into a wall outlet/receptacle. An extension cord or relocatable power tap, (outlet/power strip), should never be used.
- This appliance, when installed, must be electrically grounded in accordance with local codes (For Canada: CSA C22.1 Canadian Electrical codes, For USA: National Electric Code, ANSI/NFPA No. 70).
- To disconnect this appliance, turn the fireplace off, then remove the plug from the outlet.
- Always unplug the fireplace if you do not plan to use it for a long period of time.
- Do not insert or allow foreign objects to enter any ventilation or exhaust opening, as this may cause an electric shock, fire, or damage to the appliance.
- To prevent possible fires, do not block air intakes or exhausts in any manner. Do not use on soft surfaces, like a bed, where openings may become blocked.
- The fireplace has hot, sparking, and arcing parts inside. Do not use it in areas where gasoline, paint, or flammable liquids are used or stored. This appliance should not be used as a drying rack for clothing.
- Use this appliance only as described in this manual. Any other use not recommended by the manufacturer may cause fire, electric shock, or personal injury.

Safety Information



DANGER



ELECTRICAL SAFETY
(High Voltage Appliance)



ELECTRICAL CONNECTION

A 15-Amp, 120-Volt, 60 Hz circuit with a properly grounded outlet is required. Preferably, the item will be on a dedicated circuit. Having other appliances on the same circuit may cause the circuit breaker to trip or the fuse to blow when the fireplace is in operation. The unit comes standard with a 6 ft. (1.8 m) long three wire cord, which can be found on the right side of the appliance.



Electrical outlet wiring must comply with local building codes and other applicable regulations to reduce the risk of fire, electrical shock and personal injury.

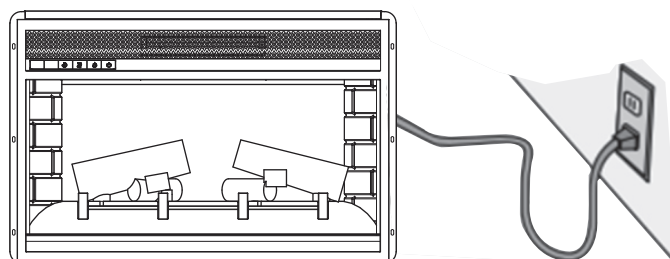
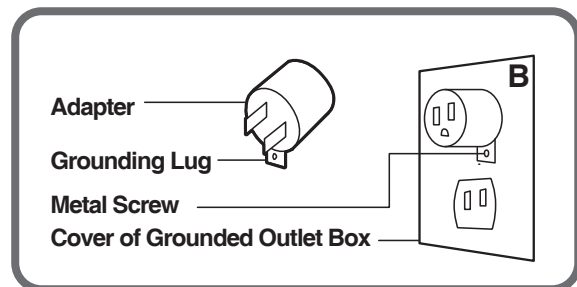
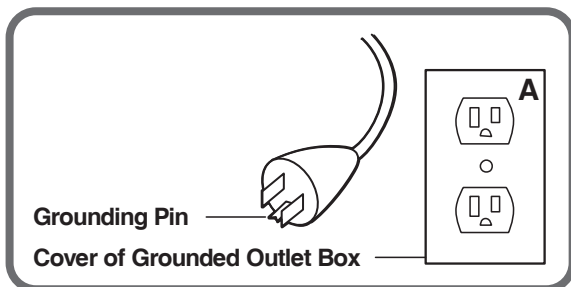


Do not use this item if any part of it has been under water. Immediately call a qualified service technician to inspect the item and replace any part of the electrical system which has been under water.

US-3Pin POLARIZED PLUG

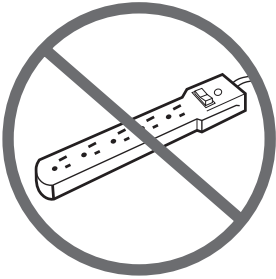
This product must be grounded. If it should malfunction or breakdown, grounding provides a path of least resistance for electric current to reduce the risk of electric shock. This product is equipped with a cord having an equipment-grounding conductor and a grounding plug. The plug must be plugged into an appropriate outlet that is properly installed and grounded in accordance with all local codes and ordinances.

This heater is for use on 120 volt circuits and has a grounded plug. An adapter is available for connecting three-blade grounding type plugs to two-slot receptacles. The green grounding lug extending from the adapter must be connected to a permanent ground such as a properly grounded outlet box. The adapter should not be used if a three-slot grounded receptacle is available.



Safety Information

US-3Pin POLARIZED PLUG



You may run the power cord out of the framed wall opening to an existing outlet or install an outlet on a nearby wall stud within the wall.

In order to use the power safely, please make sure:

- NEVER use the relocatable power tap/outlet/power strip.
- NEVER exceed the maximum amperage for the circuit (Should be 120V 15amp).
- NEVER plug other appliances into the same circuit.
- SHOULD make sure the plug is in good condition and not loose.

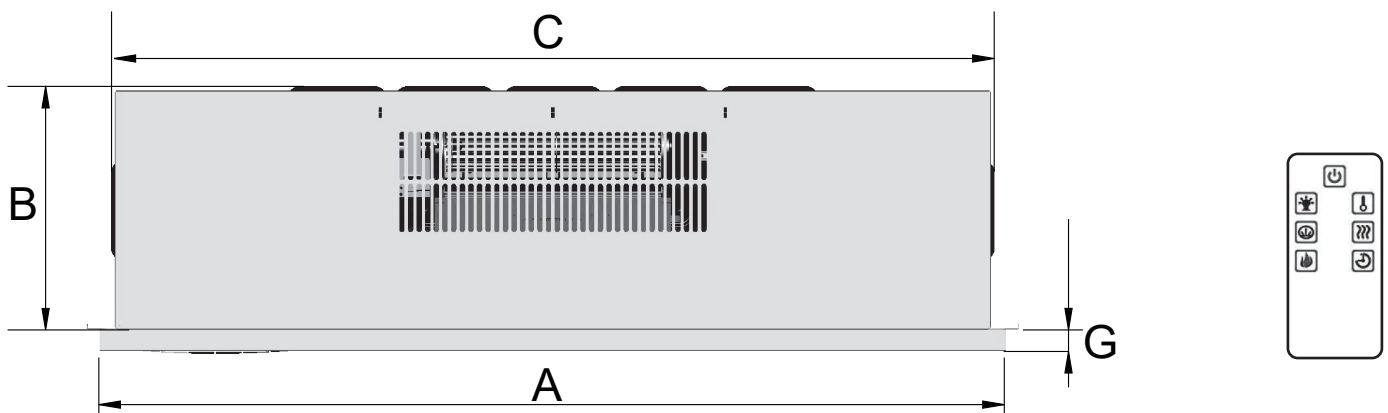


The length of the power cord is 6ft. A grounded extension cord can be used, if the cord is not long enough to reach the outlet. When using the extension cord, please kindly NOTE:

- The cord is no longer than 7.87ft.
- The minimum of the wiring is AWG No. 14.
- The minimum rated power is 1900W.

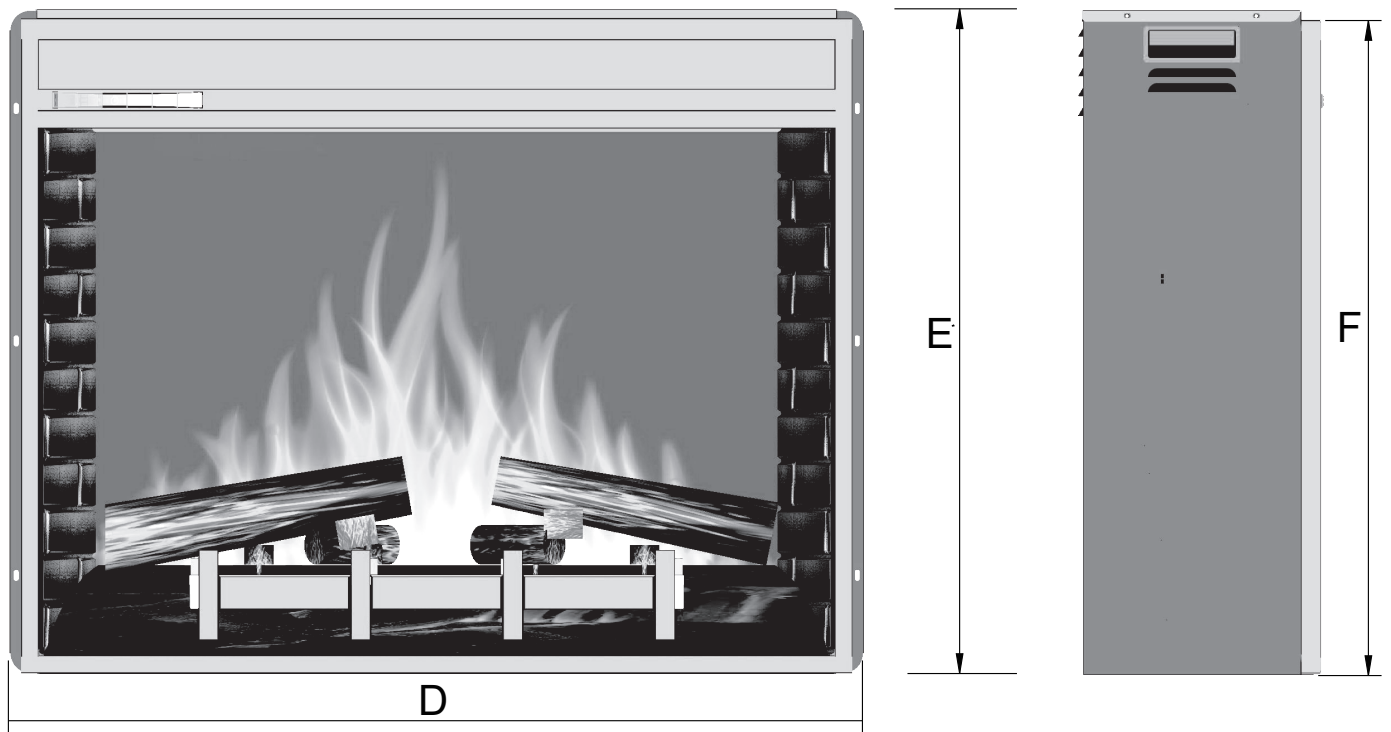
Pre-Installation

DIMENSIONS



Pre-Installation

DIMENSIONS



(Units mm)

Model	A	B	C	D	E	F	G
IFN22	584	180	560	610	448	433	20
IFN26	660	220	635	686	448	433	20
INF33	840	220	813	864	673	663	20

Pre-Installation

SPECIFICATIONS

Power Supply	110-120V / 60Hz
Rated Current	13.6A
Rated Power	1500W / 5280BTU
Adjustable Thermostat	62°F- 82°F
Heating Area	400 - 1000sq.ft
Heating Element	100% infrared quartz tube
Noise Level (dBA)	≤ 42dBA
Timer	30min - 6hours
Lighting Effect	LED
Remote Control	YES

Installation

The fireplace should be located in an area:

- Out of direct sunlight
- Not susceptible to moisture
- Away from uninsulated outside wall



WARNING

- The fireplace is heavy and contains glass, you need to move it carefully to prevent injury.



WARNING

- Do not install the unit on shelves, raised platforms, beds, blankets, pillows etc. Keep combustible materials such as furniture, bedding, papers, clothes and curtains at least 3 ft. (1m) from the fireplace.



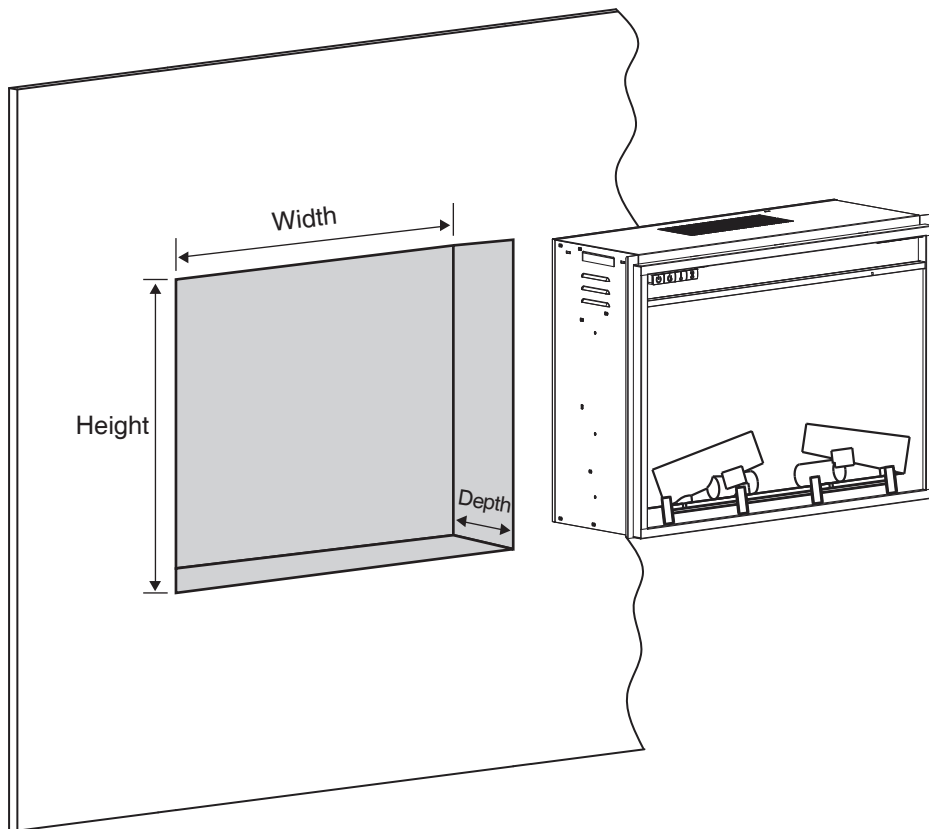
CAUTION

- Make sure that the unit is installed so that the power cord is not compressed against or caught on the fireplace and that it has an unobstructed path to the grounded outlet.

Installation

RECESS INTO A WALL

Prepare the opening and outlet. Place the unit into the framed opening gently and no fixing brackets are needed.



Opening sizes ranges (mm)

Model	Width	Height	Depth(min)	Depth(suggest)
IFN22	580-610	450-460	195	205
IFN26	655-685	450-460	235	245
INF33	830-860	680-690	235	245

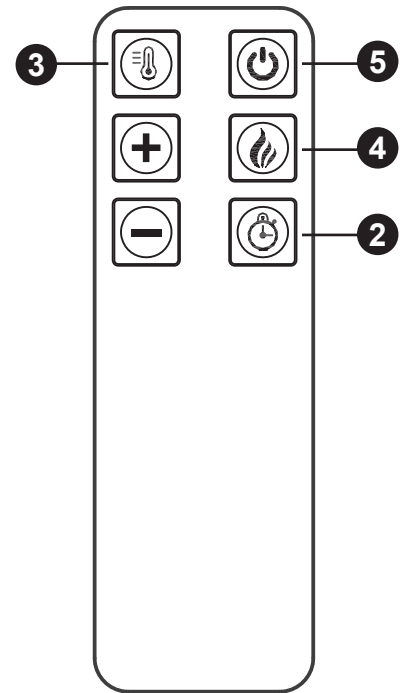
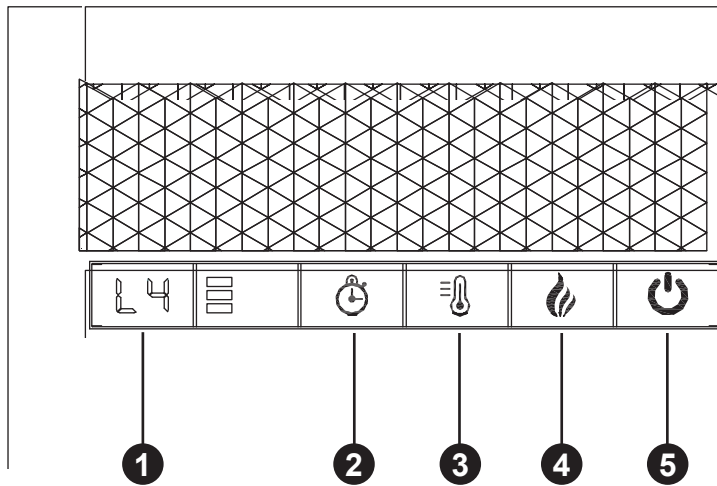
INSERT INTO A CABINET OR WOOD MANTEL

Make sure the depth is enough for placement: 7.3" (for model INF23) / 9" (for model INF26 & INF33).

Make sure to spare enough space on the top of the fireplace insert for dissipating the heat: at least 8".

Operation

USING THE CONTROL PANEL



- 1** Digital Display
- 2** Timer Setting
- 3** Thermostat Control
- 4** Flame Control
- 5** Power Button

The buttons on the control panel and the remote control function in the same way.

POWER BUTTON

- Press the power button once to power on.
- Press the power button once to power off.

NOTE:

After the heater turning off, it will continue to produce wind for 30 seconds to cool off the heater. This setting is for extending the span life of the component and ensuring the safety of the machine.

FLAME CONTROL

Press the flame control button to turn on or off the flame and switch the flame color among 7 settings.

Button Press	1	2	3	4	5	6	7
Flame Color	Red	Yellow	Blue	Blue & Yellow	Blue & Red	Blue & Red & Yellow	Cycles the Above 6 Colors
Display	1	2	3	4	5	6	7

Operation



THERMOSTAT CONTROL

- Press the thermostat control button once to turn on or off the heater.
- Press the thermostat control button once, then press again and hold this button for 5 seconds to enter the temperature setting mode. See the tables below for detailed temperature settings instruction.
- Press and hold the power button for 5 seconds to switch between Fahrenheit(°F) and Celsius(°C) display.

NOTE:

To maintain your desired temperature, the heater will cycle on and off automatically when reaches the set temperature.



TIMER SETTING (30 minutes-6 hours)

- Press the timer button to choose your desired operation time of the heater.

Button Press	Timer Interval	Display Value
1st Press	30 Min	30
2nd Press	1 Hour	1H
3rd Press	2 Hours	2H
4th Press	3 Hours	3H
5th Press	4 Hours	4H
6th Press	5 Hours	5H
7th Press	6 Hours	6H



OVERHEATING PROTECTION

- This heater has an overheating protection cutout switch that switches the appliance off automatically if it overheats.
- Obstruction of the rear air intakes or front grill may result in overheating. If this occurs, please disconnect the heater from the power socket and allow it to cool for 10-15 minutes before powering it on again.
- Should problems persist, please contact TURBRO Customer Service Team via support@turbro.com.

Maintenance

- Always turn the fireplace OFF and unplug the power cord from the outlet before cleaning.
- Use a vacuum or duster to remove dust and dirt from the fireplace and vent areas.
- To keep luster, clean with a soft, slightly damp cloth and buff with a dry cloth.
- Never use abrasive cleansers, liquid sprays, or any cleaner that could scratch the surface of the appliance.

FCC/IC Information

Warning: Changes or modifications to this unit not expressly approved by the party responsible for compliance could void user's authority to operate the equipment.

NOTE: This equipment has been tested and found to comply with the limits for Class B digital device, pursuant to part 15 of the FCC Rules. These limits are designed to provide reasonable protection against harmful interference in a residential installation.

This equipment generates, uses, and can radiate radio frequency energy and, if not installed and used in accordance with the instructions, may cause harmful interference to radio communications.

However, there is no guarantee that interference will not occur in a particular installation. If this equipment does cause harmful interference to radio or television reception, which can be determined by turning the equipment off and on, the user is encouraged to try to correct the interference by one or more of the following measures:

- Reorient or relocate the receiving antenna
- Increase the separation between the equipment and the receiver.
- Connect the equipment into an outlet on a circuit different from that to which the receiver is connected.
- Consult the dealer or an experienced radio/TV technician for help.

This device complies with Part 15 of the FCC Rules. Operation is subject to the following two conditions:

- (1) This device may not cause harmful interference, and
- (2) This device must accept any interference received, including interference that may cause undesired operation.

Modifications not approved by the party responsible for compliance could void user's authority to operate the equipment.

This Class B digital apparatus complies with Canadian ICES-003.

Troubleshooting



WARNING

Disconnect power before servicing.

Problem	Possible Cause	Corrective Action
The fireplace does not operate.	<ul style="list-style-type: none"> • The fireplace is not plugged in. • A circuit breaker is tripped or a fuse blown. • The ON/OFF switch is defective. • There is loose wiring. 	<ul style="list-style-type: none"> • Make sure the fireplace is plugged in to a standard 120V outlet. • Check additional appliances on the circuit; ideally the fireplace should be on a dedicated 15-amp circuit. • Contact customer service. • Contact customer service.
The power light is ON but the flame effect is not visible.	<ul style="list-style-type: none"> • The fireplace is not operating correctly. 	<ul style="list-style-type: none"> • Refer to the operating instructions.
The fireplace is not operating.	<ul style="list-style-type: none"> • The fireplace is not operating correctly. • The fireplace switch is defective. • The fireplace assembly is defective. • There is loose wiring. • The vents are dirty or clogged. 	<ul style="list-style-type: none"> • Refer to the operating instructions. • Contact customer service. • Contact customer service. • Contact customer service. • Unplug the unit. Clear the vent area of dust and debris. Wait ten minutes, plug the unit in again and turn on the fireplace.
There is excessive noise when the fireplace is operating.	<ul style="list-style-type: none"> • The fan is defective. • The fireplace assembly is defective. 	<ul style="list-style-type: none"> • Contact customer service. • Contact customer service.

Warranty

1-YEAR WARRANTY

TURBRO provides 1-year limited warranty for TURBRO In Flames Electric Fireplace, from the date of purchase, subject to the following conditions and limitations.

What is covered?

- Any alteration misuse of the product will nullify this warranty.
- This warranty is non-transferrable, which is effective for the original buyer from the authorized seller only.
- This warranty is limited to the repair or replacement of part(s) proved to be defective in material or workmanship, after said defect is confirmed by the manufacturer's inspection.

The manufacturer may, at its discretion, fully discharge all obligations with respect to this warranty by refunding the wholesale price of the defective part(s)

What's NOT covered?

- Damage caused by the owner when attempting to fix or alter the product themselves.
- Damage caused by misuse, abuse, neglect, alterations, or unauthorized repair.
- Natural depreciation.

How to request warranty services?

To obtain the benefit of this warranty, please leave a message online (<https://www.turbro.com/pages/contact-us>), or send an email to support@turbro.com. Our customer service will address your issue within 24 hours.

What will TURBRO do?

- Repair the item.
- Replace the item if not repairable.
- Refund the item under certain circumstances.

ALL EXPRESSED AND IMPLIED WARRANTIES, INCLUDING THE WARRANTY OF MERCHANTABILITY, ARE LIMITED TO THE PERIOD OF THE LIMITED WARRANTY.



CAUTION

- This product can expose you to toxic chemicals including Di (2-ethylhexyl) phthalate (DEHP), which may cause cancer or harm developmental growth.
- Wash hands after installation.

For more information go to www.p65Warnings.ca.gov



TURBRO



© Katmai Technology Limited

support@turbro.com

www.turbro.com

