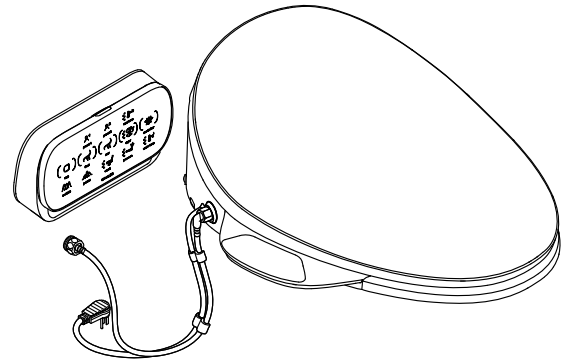


Features

- Elongated seat with lid and bidet functionality that fits most elongated toilets
- Touchscreen Remote Control (includes 2 programmable user presets)
- Continuously heated water with adjustable temperature settings
- Heated seat with adjustable temperature settings
- Quick-Release™ design for ease of cleaning
- Quiet-Close™ functionality to prevent seat from slamming
- Automatic deodorization function for odor control
- Automatic nightlight function to illuminate the bowl
- Energy save function
- Anti-microbial materials used in seat and nozzle
- Air blower function allowing selection of air speed and temperature
- Single stainless steel wand with adjustable water pressure, temperature, and pulsate settings

Components

Additional included component/s: Remote, and Supply hose.



For complete listing of available colors, go to kohler.com.

Codes/Standards

ASME A112.4.2

UL 1431

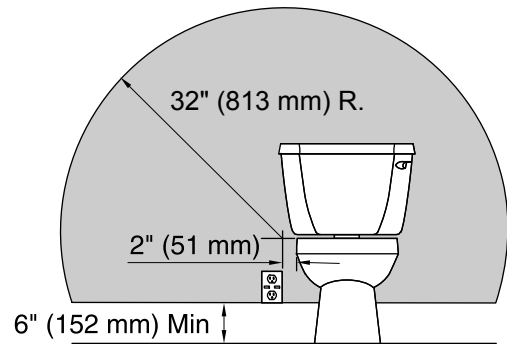
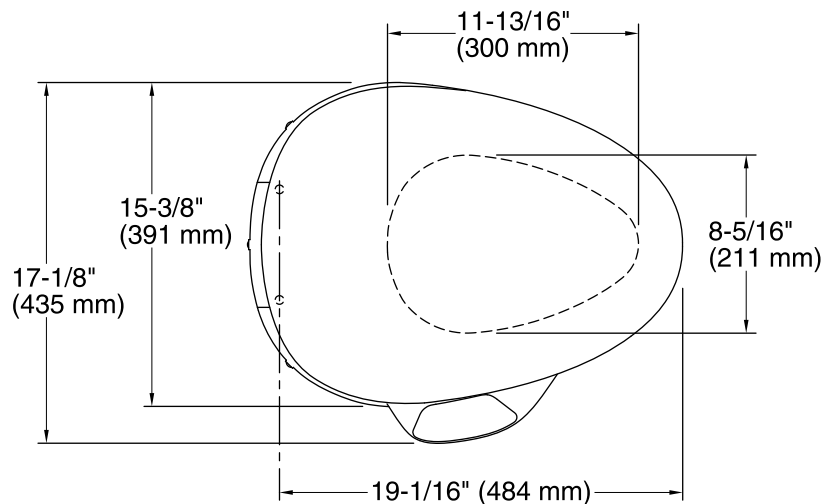
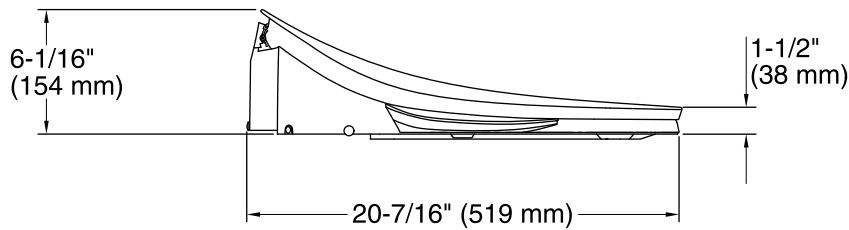
FCC Part 15

KOHLER® One-Year Limited Warranty

See website for detailed warranty information.

Product Specification

Toilet seat shall be made of plastic. Toilet seat shall feature bidet functionality. Toilet seat shall feature Quick-Release™ design. Toilet seat shall feature Quiet-Close™ functionality. Toilet seat shall be elongated-front installation. Toilet seat shall be KOHLER Model K-4108.



ELECTRICAL SERVICE DETAIL

The receptacle should be located at least 6" (152 mm) above the floor line, and within a 32" (813 mm) radius measured 2" (51 mm) to the right of the toilet ledge, as shown.

Required Electrical Service

Dedicated circuit required, protected with Class A Ground-Fault Circuit-Interruptor (GFCI) or Residual Current Device (RCD).

120 V, 60 Hz, 1100 W

Technical Information

All measurements are nominal.

Seat shape type: Elongated
 Seat front type: Closed front
 Seat hinge type: Quiet-Close™
 Seat hole centers: 5-1/2" (139 mm)

Power cord length: 46" (1168 mm)

Installation Notes

Install this product according to the installation guide.

Connect the seat to a cold water supply of drinking quality water at a pressure of 20 psi - 80 psi (139 kPa - 551 kPa).

Locate a grounded, dedicated electrical outlet within 12" (305 mm) of the toilet.

Do not install this seat in a location where: (1) water might be splashed on the product or (2) excessive moisture, high humidity levels, or condensation is present. This will avoid damage to the electronic components.

Do not use an extension cord with this product.

To avoid possible product malfunction, do not plug in the seat until instructed to do so.