

# Panel Track Installation Instructions

U.S. & INTERNATIONAL PATENTED / PATENT PENDING



GOOD DESIGN AWARD 2020  
Winner of JAPAN JDP



2021 USA MUSE  
DESIGN AWARDS SILVER WINNER



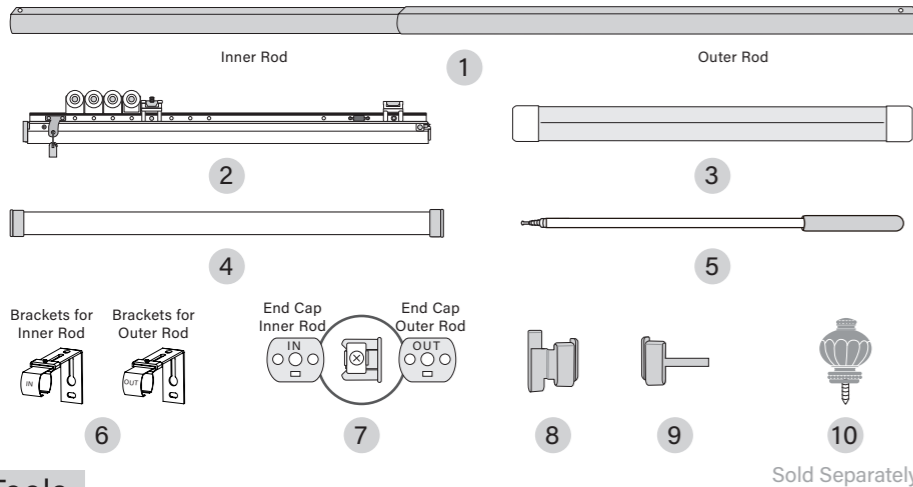
2021 USA IDEA  
DESIGN AWARDS

Panel Width	Panel Height
15.75"	67.75"
23.5"	91"
31.5"	116"

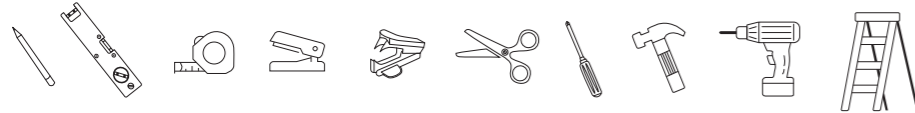
116" blinds include extra liner

These instructions use a 6 panel track as an example; your installation may vary.

- 1 Rod 2 Sliders 3 Panel Blinds 4 Blind Weight  
5 Baton 6 Bracket 7 End Caps 8 Weight Clip  
9 Weight Spacer 10 Finials (Sold Separately)



## Tools



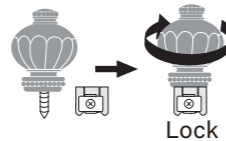
## Note 1 Drywall Anchor



Drill a 1/4" pilot hole, hammer the drywall anchor in and mount the brackets on to the wall with screws.

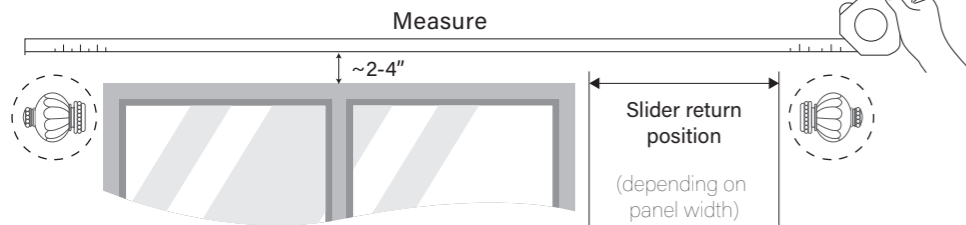
## Note 2 Finials (Sold Separately)

Remove both end caps and screw the finials onto the cap. Reattach the assembly into the respective side.

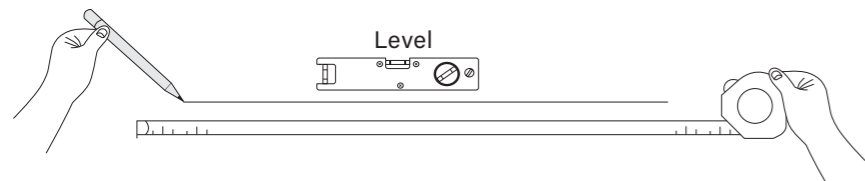


## Step 1.a Wall Installation (for ceiling installation, see step1.b)

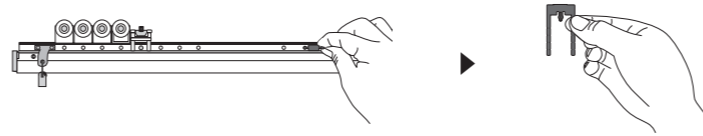
a-1 Measure the overall coverage needed, including the slider return position and the optional finials.



a-2 Draw a line where the brackets will be installed.



a-3 Remove red clip from the sliders.  
(During the installation, the clip can be used to keep the sliders in place.)

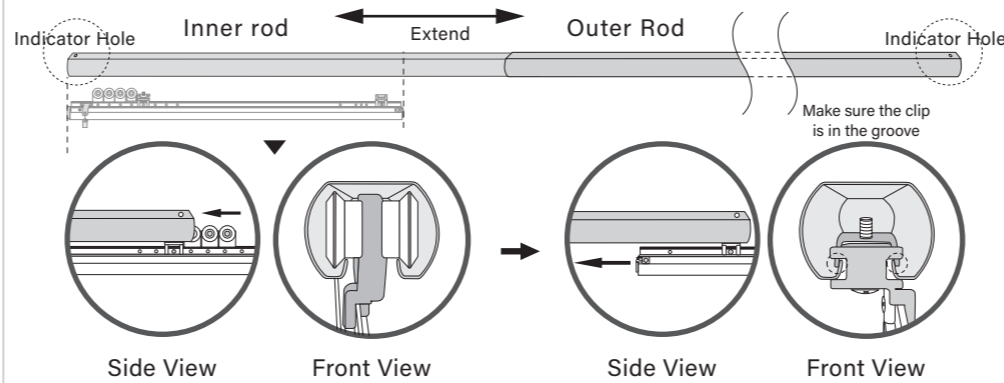


a-4 Loosen the two screws on the last slider or else the slider cannot be inserted into the rod.

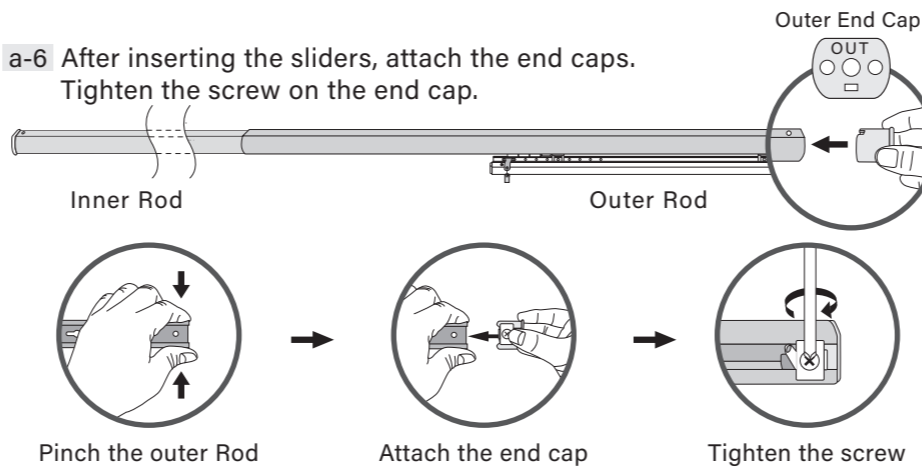


Loosen screws until the clip groove is completely exposed.

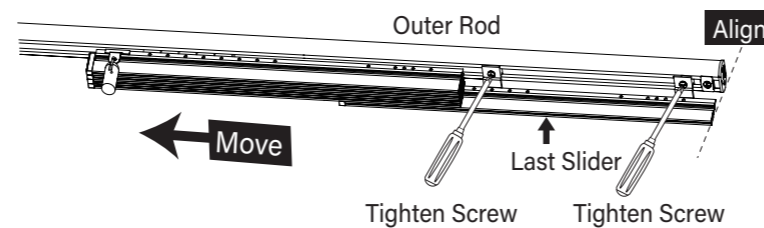
a-5 Extend the rod, make sure the indicator holes are on the outer edges. Also the rod has to be longer than the sliders, then insert the slider into the rod.



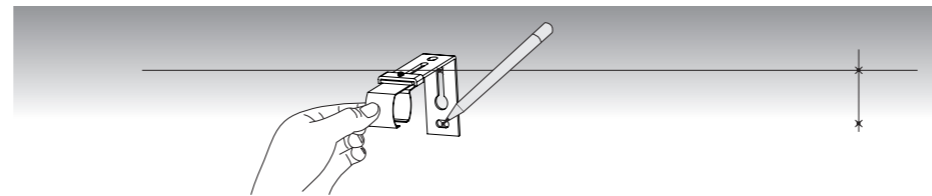
a-6 After inserting the sliders, attach the end caps. Tighten the screw on the end cap.



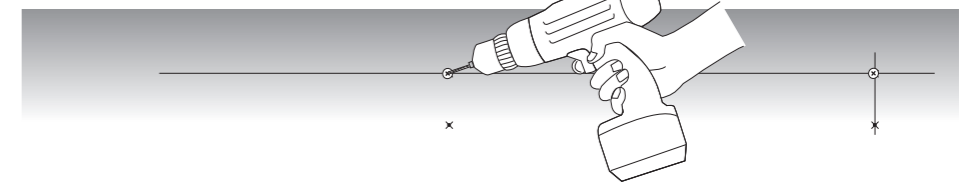
a-7 Align the sliders to the end of the outer rod. Move top sliders out of the way. Tighten the locking screws on the last slider.



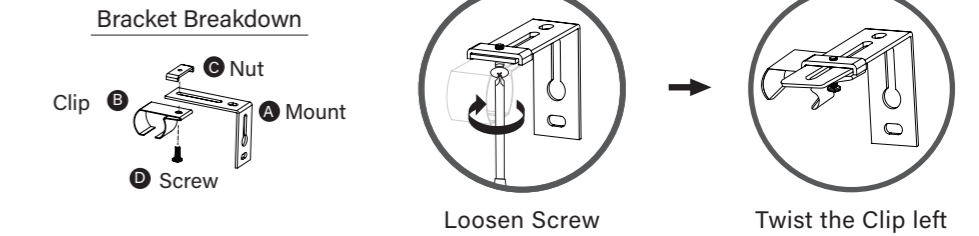
a-8 Using the bracket, mark the positions of the screws on the line.  
(The left and right most bracket should be 2 to 4 inches from the edge of the rod.)



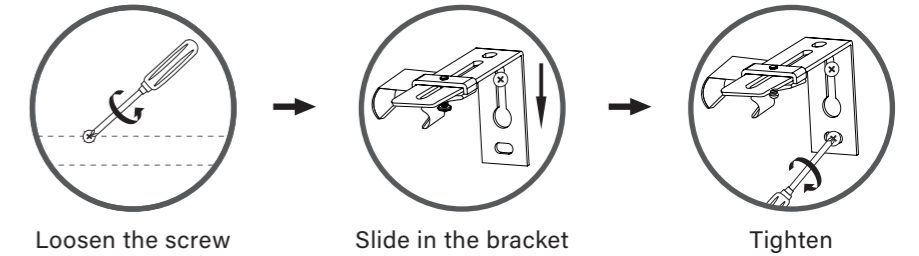
a-9 Drill the pilot hole. Insert the drywall anchor where applicable then screw in a screw on the top hole.



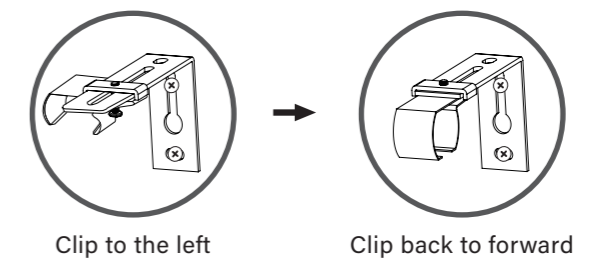
a-10 Loosen the screw on the bracket and turn the clip to the side to access the mounting screws during installation.



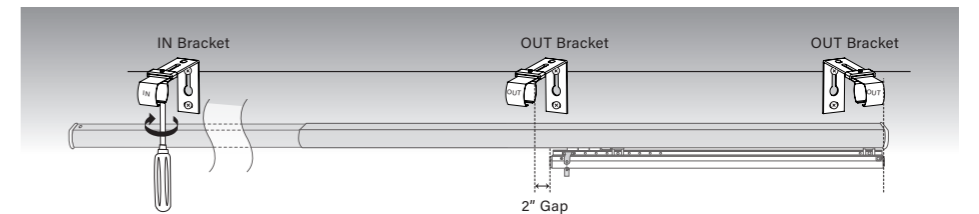
a-11 Loosen the screw on the wall enough to slide the bracket onto the screw. Tighten the screws. Screw in a second screw on the bottom of the bracket.



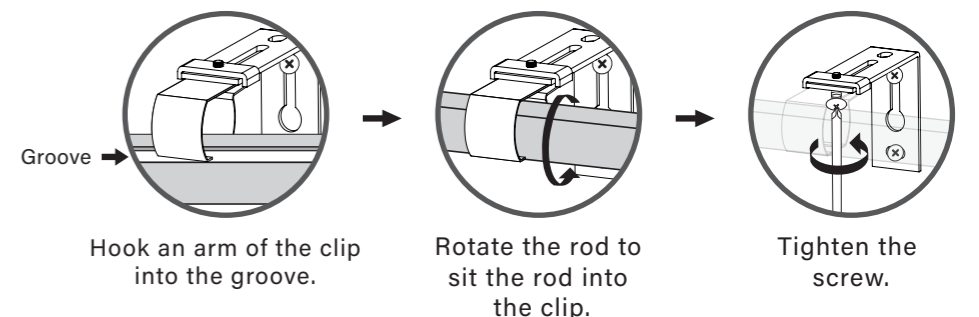
a-12 Twist the clip back to the forward position.



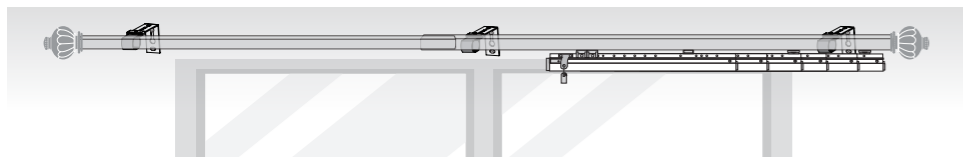
a-13 Adjust the clips to the desired projection. Make sure there is at least a 2" gap between the center brackets and the edge of the sliders.



a-14 Hook an arm of the bracket's clip into the groove of the rod, rotate the rod upward in between the arms and rod will snap into place between the clips. Tighten the screw on the clip.



a-15 Tighten all the screws on the brackets and the installation of the rod is complete.

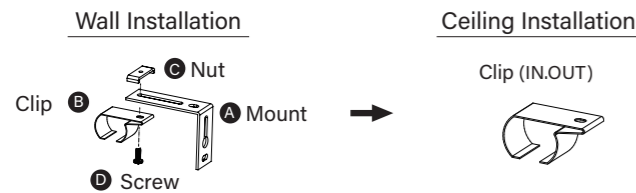


### Step 1.b Ceiling Installation (For wall install see Step 1.a)

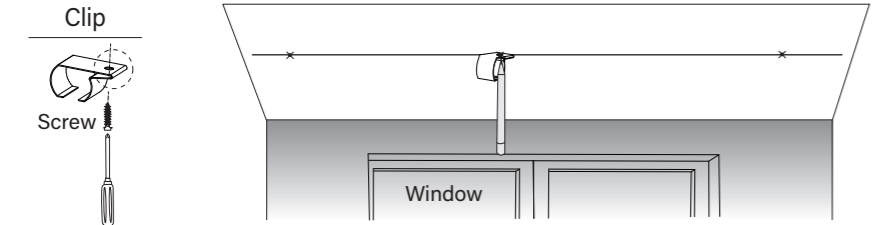
**IMPORTANT: Finials cannot be used with ceiling installation!**

b-1 Do steps a-1, a-2, a-3, a-4, a-5, a-6, a-7.

b-2 Detach the clip from the mount by unscrewing the screw.

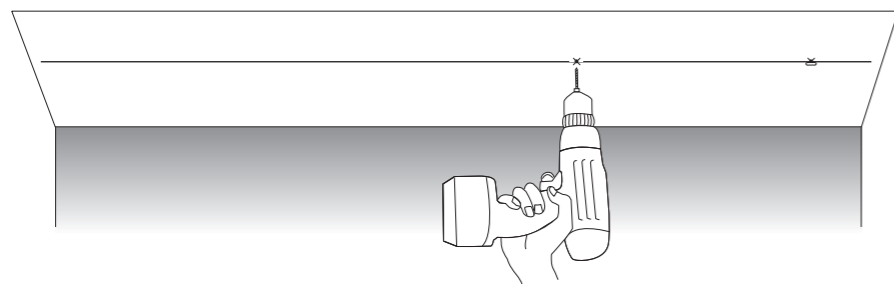


b-3 Mark the screw position on the line using a clip. Left and right most clips must be 2-4" from the end of the rod.

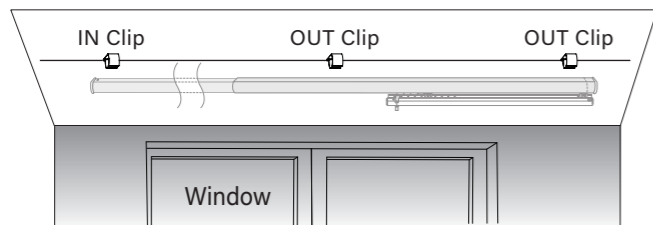


\*The screw should face the window

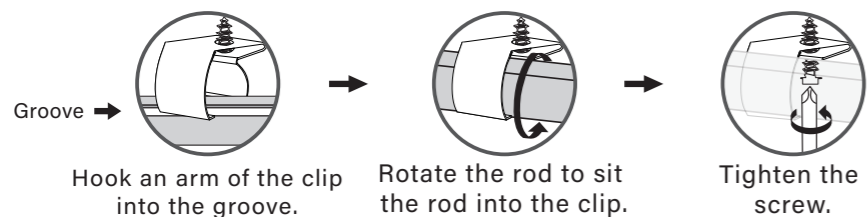
b-4 Drill the pilot holes and insert drywall anchor where applicable.



b-5 Mount the clips onto the ceiling, do not tighten all the way.

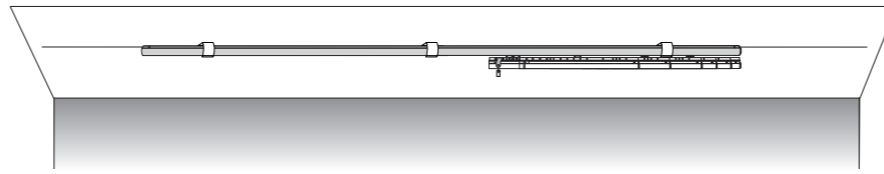


b-6 Hook an arm of the bracket's clip into the groove of the rod, rotate the rod upward in between the arms and rod will snap into place between the clips. Tighten the screw on the clip.



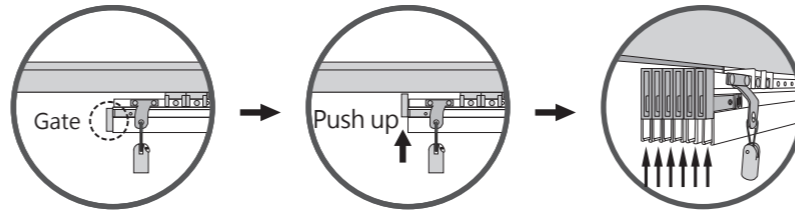
Reminder: Before you install or remove the track rod, please loosen the screws first to avoid scratching the finish.

b-7 Tighten all the screws. The ceiling rod installation is complete.

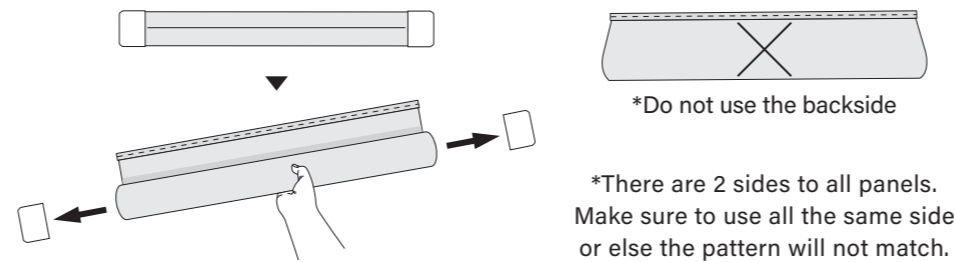


### Step 2 Panel Blind Installation (sold separately)

2-1 Push the gates on the sliders up to open the grooves for the panels.

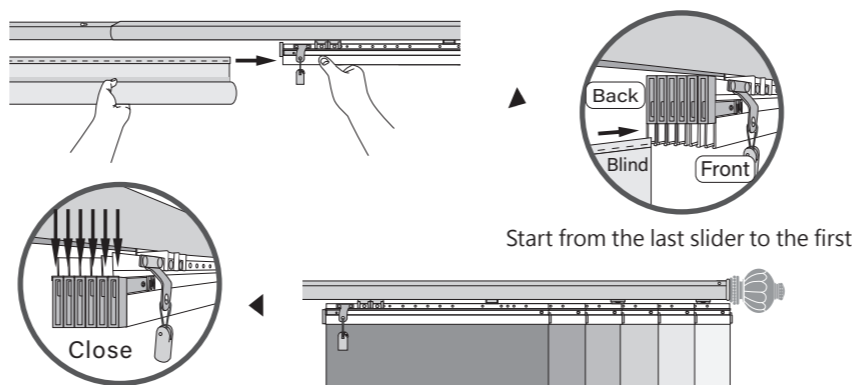


2-2 Discard the caps on the panels.



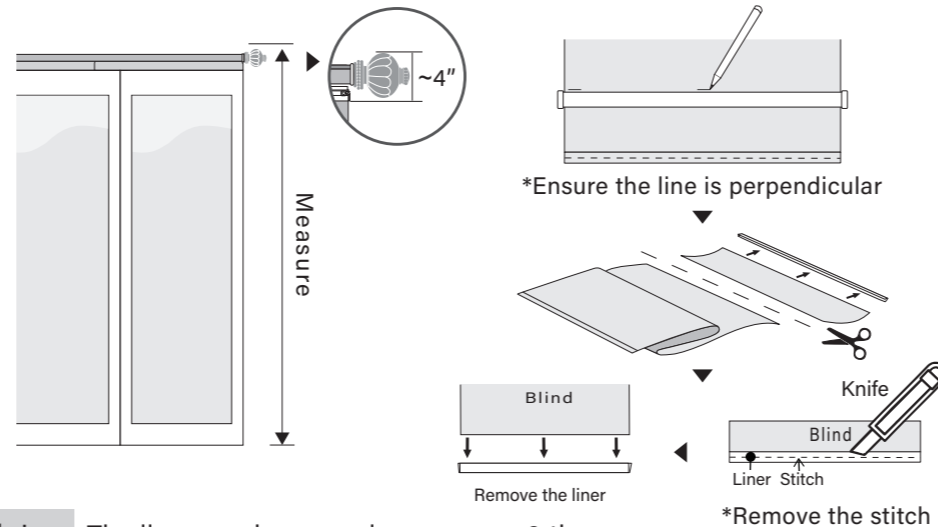
\*Do not unroll the panels! It is easier to install when the panels are rolled up.

2-3 Slide the panel liner horizontally into the sliders, starting from the back.



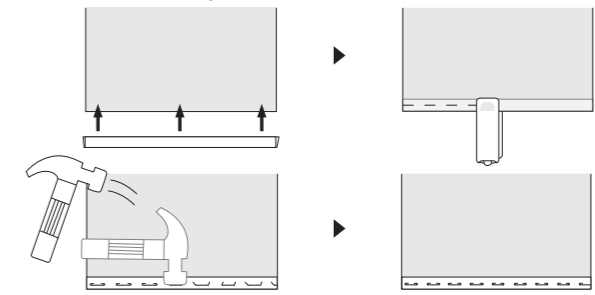
### Step 3 Trimming Blinds (Optional)

3-1 Measure the overall installation length. Use the weight as a straight edge to mark the desire length. Trim the blind to size and remove the liner from the scrap.



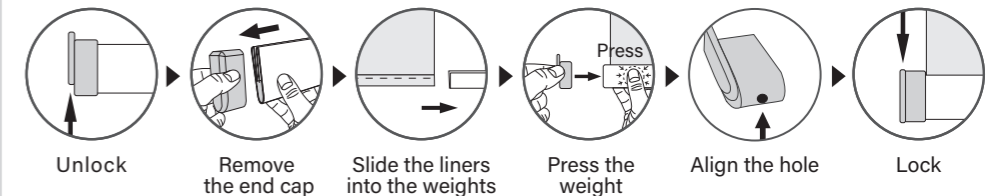
Note The liner can be reused on average 3 times.

3-2 Staple the liner back onto the blind with a stapler, spacing each staple 2" apart. Hammer the staples flat.



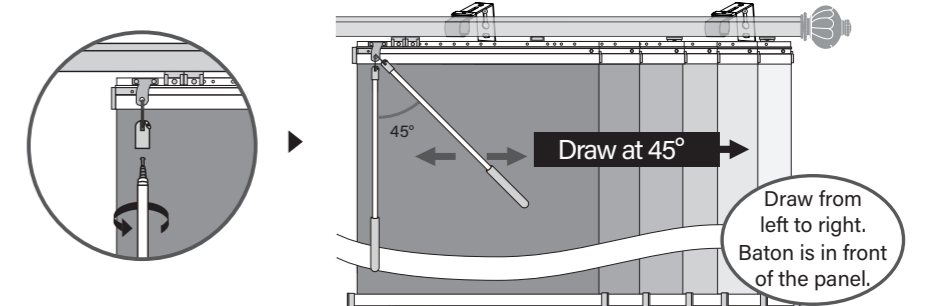
### Step 4 Panel Blind Installation

To install the weights, push open the lock on the end caps and remove the end caps. Slide the liners into the weights and reattach the end caps.



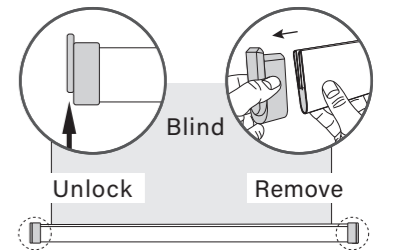
### Step 5 Weight Installation

Screw in the baton and the installation is complete. Draw at 45° for the best results.

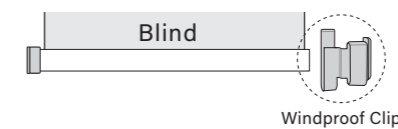


### Step 6 Windproof Clips Holds the blinds together when windy

6-1 Remove all the end caps on the weights, except left end cap on the first weight and the right end cap on the last weight.



6-2 Attach the windproof clip to the right side of the weights.



6-3 Attach the spacer to left side of the weights.

