



ZTR Series Sensor Flush Valve

ZTR Sensor Flush Valve Suite for water closets and urinals is performance engineered with sensor activation and piston operation. The ZTR is equipped with chloramine resistant internal seals which reduce maintenance costs. Matched with Zurn fixtures, the paired performance delivers a repeatable flushing system with unsurpassed water savings. The complete suite includes the long life option with an extended 10-year battery life for optimal savings.

Features and Benefits:

- Smooth, sleek modern design with solenoid activated piston operated flushing action
- Works well in all bathroom environments adapting to various water pressures and water quality
- Optional 1.1 gpf wall bowl system for low water consumption achieving 31% water savings over typical 1.6 gpf bowls
- 10-year battery life option for lower cost of maintenance
- Standard valve dimensions for easy installation on new construction or retrofit projects



ZTR6200-ONE
1.1 gpf
Water Closet



ZTR6203-ULF-LL
0.125 gpf
Urinal



1.855.ONE.ZURN
www.zurn.com



ZTR Series Sensor Flush Valve

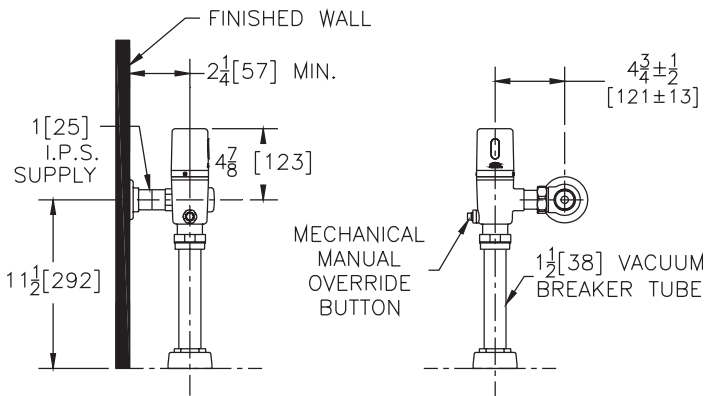
Water Closets

ZTR Series

ZTR6200-WS1 – 1.6 GPF
 ZTR6200EV – 1.28 GPF
 ZTR6200-ONE – 1.1 GPF*
 *(SOLD ONLY AS A COMPLETE SYSTEM: Z5615.395.00.00.00)

ZTR-LL Series

ZTR6200-WS1-LL – 1.6 GPF
 ZTR6200EV-LL – 1.28 GPF
 ZTR6200-ONE-LL – 1.1 GPF*
 *(SOLD ONLY AS A COMPLETE SYSTEM: Z5615.396.00.00.00)



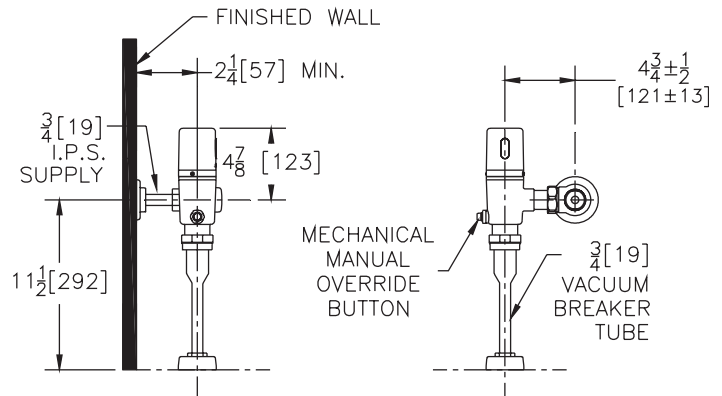
Urinals

ZTR Series

ZTR6203-WS1 – 1.0 GPF
 ZTR6203EV – 0.5 GPF
 ZTR6203-QRT – 0.25 GPF*
 *(SOLD ONLY AS A COMPLETE SYSTEM: Z5755.393.00)
 ZTR6203-ULF – 0.125 GPF

ZTR-LL Series

ZTR6203-WS1-LL – 1.0 GPF
 ZTR6203EV-LL – 0.5 GPF
 ZTR6203-QRT-LL – 0.25 GPF*
 *(SOLD ONLY AS A COMPLETE SYSTEM: Z5755.394.00)
 ZTR6203-ULF-LL – 0.125 GPF



ZTR-LL Long Life Sensor Flush Valve Series for water closets and urinals is a sustainable, advanced-technology expansion of the ZTR product line, delivering an extended 10-year battery life for advanced performance. The ZTR Long Life Series flush valve is equipped with a low-powered sensor platform featuring software and electronics capable of accepting long life battery technology. The ZTR-LL Series results in a reduced number of battery changes over the life of the valve by two-thirds, compared with traditional battery powered valves. When matched with Zurn fixtures, the ZTR-LL paired performance results in a repeatable flushing system with unsurpassed water savings, lower life-cycle cost, and lower costs of ownership.

ZTR Options

Engineering Specifications

Exposed chrome-plated flushometer valve with a polished exterior

- Clog-Resistant, Filtered Bypass Piston
- True manual override button
- Proprietary dezincification resistant brass alloy
- Power source
 - Sensor powered by 4 "AA" batteries
 - 10-year battery, long life -LL
- Control stop
 - Internal siphon-guard protection
 - Vandal-resistant stop cap
 - Sweat solder kit
 - Cast wall flange with setscrew
- High pressure vacuum breaker
- One piece hex coupling nut
- Internal seals and gaskets
 - Chloramine resistant
- Adjustable tailpiece
- Spud coupling and flange for top spud connection
- 3-year Warranty

Accessories

- LL 10-year long life battery
- HW Hardwired
- YJ Split Ring Pipe Support
- YK Solid Ring Pipe Support
- YO Bumper on Angle Stop
- Other

NOTE: Performance guaranteed with Zurn EcoVantage® fixtures. Please consult Zurn Technical Services at 1-800-997-3876 to discuss the paired performance of this valve with other manufacturers' fixtures.

Recommended Vitreous

- Wall Bowl **Z5615-BWL**
- Floor Bowl **Z655-BWL**
- ADA Floor Bowl **Z665-BWL**
- Omni-Flo™ Urinal **Z5755-U**

ZURN INDUSTRIES, LLC COMMERCIAL BRASS OPERATION
 5900 ELWIN BUCHANAN DRIVE, SANFORD NC 27330,
 PHONE: 855-ONE ZURN (855-663-9876), FAX: 919-775-3541
 www.zurn.com

In Canada: **ZURN INDUSTRIES LIMITED**
 3544 NASHUA DRIVE, MISSISSAUGA, ONTARIO L4V 1L2,
 PHONE: 905/405-8272, FAX: 905/405-1292