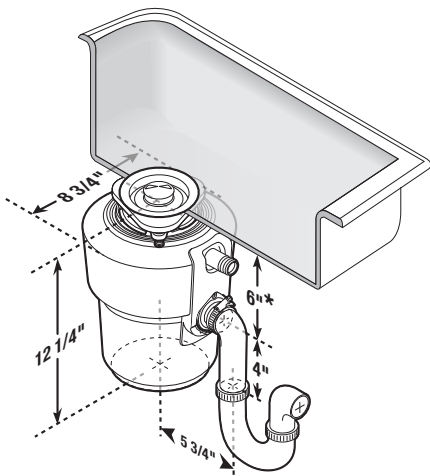


## QUIET SERIES

# Evolution Compact®



### Dimensions



\*Add 1/2" when stainless steel sinks are used.

### Submittal Sheet

This model offers the following features and benefits:

- **Lift & Latch™** technology for easier sink connection.
- **2-Stage MultiGrind® Technology** for tougher food scraps like chicken bones.
- **Highest Durability.** Alloy stainless steel components with LeakGuard Liner.™
- Noise reduction with **SoundSeal® Technology**.
- Includes **Quiet Collar®** sound reducing sink baffle.

### Sample Specification

Food Waste Disposer(s) shall be InSinkErator Model Evolution Compact® with MultiGrind® and SoundSeal® technologies, 3/4 HP motor, Stainless Steel Grind components.

**Warranty:**  
8-Year parts and in-home service.

\* The complete InSinkErator warranty is included in the Care & Use Booklet packed with each unit.

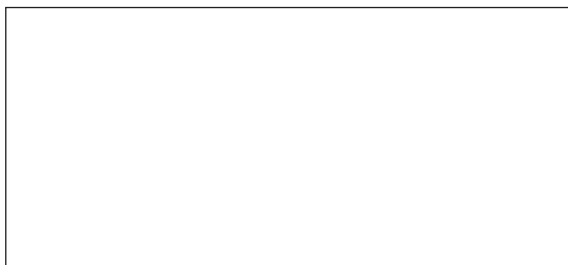


Food waste is roughly 80% water. By using your disposal regularly, you can help divert food waste from landfills and reduce greenhouse gas emissions. Make sustainability a family affair by using your disposal. After all, the smallest changes can make the biggest impact.

### Specifications

|                             |  |
|-----------------------------|--|
| Type of Feed                | Continuous   |
| On/Off Control              | Wall Switch  |
| Motor                       | Single Phase   |
| HP                          | 3/4  |
| Volts                       | 120  |
| HZ                          | 60   |
| RPM                         | 1725   |
| Amp. (Avg. Load)            | 8.1  |
| Time Rating                 | Intermittent   |
| Lubrication                 | Permanently Lubricated Upper & Lower Bearings  |
| Shipping Weight (Approx.)   | 19.1 lbs.  |
| Unit Finish                 | Black Enamel Gray  |
| Overall Height              | 12-1/4"  |
| SoundSeal Technology        | Anti-Vibration Mount®<br>Anti-Vibration Tailpipe Mount™<br>Quiet Collar® Sink Baffle |
| MultiGrind Technology       | GrindShear Ring®   |
| Grind Chamber Capacity      | 34.6 oz.   |
| Motor Protection            | Manual Reset Overload  |
| Average Water Usage         | Approx. 1 Gallon Per Person Per Day  |
| Average Electrical Usage    | 3-4 KWH Per Year   |
| Drain Connection            | 1-1/2" Anti-Vibration (Hose Clamp)   |
| Dishwasher Drain Connection | Yes  |

### Job Specifications



The Emerson logo is a trademark and service mark of Emerson Electric Co. The mounting collar configuration is a trademark of Emerson Electric Co.

InSinkErator may make improvements and/or changes in the specifications at any time, in its sole discretion, without notice or obligation and further reserves the right to change or discontinue models.

1-800-558-5700  
www.insinkerator.com