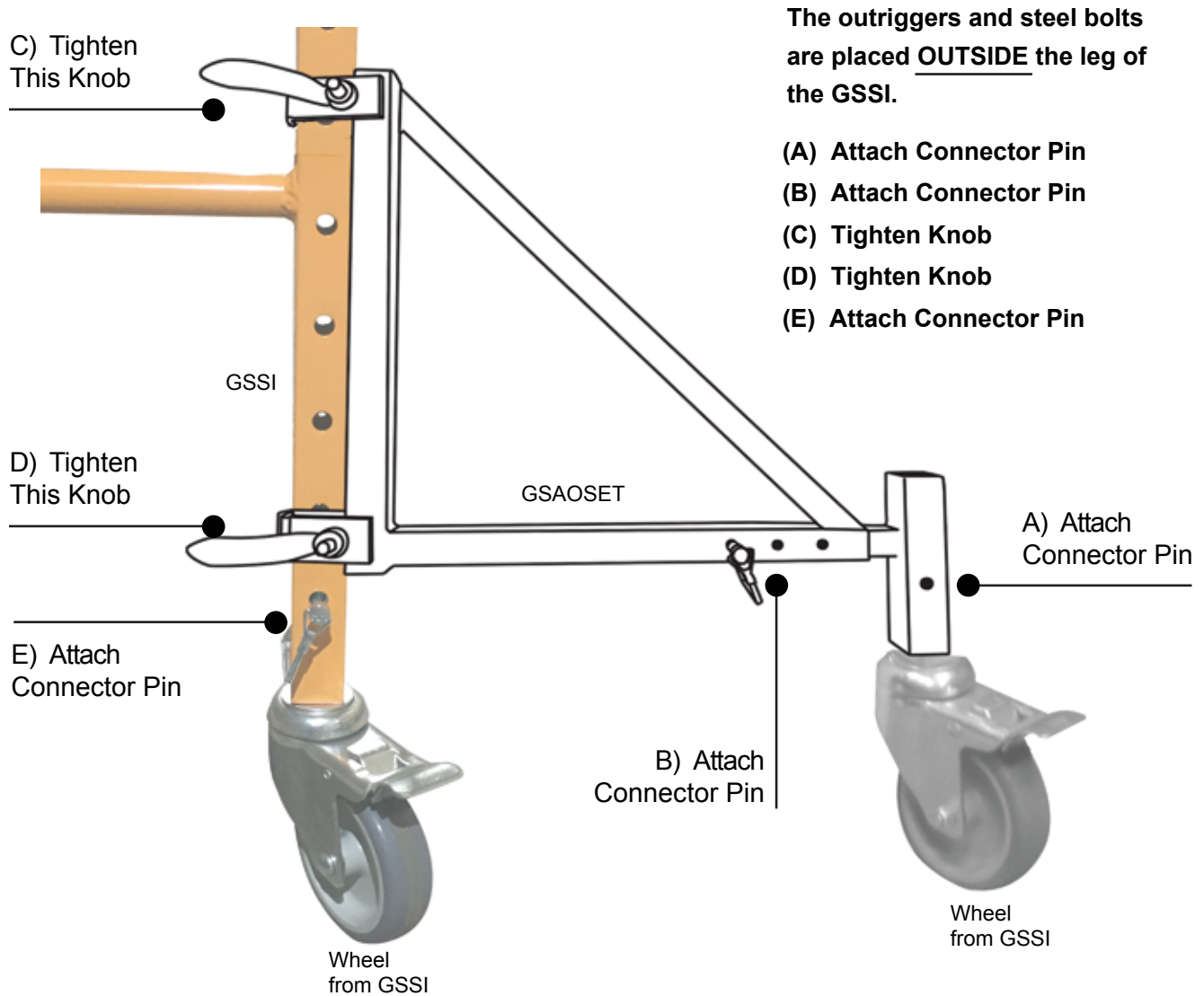


Assembling GSAOSET Outriggers to GSSI Scaffolding



The outriggers and steel bolts are placed OUTSIDE the leg of the GSSI.

- (A) Attach Connector Pin
- (B) Attach Connector Pin
- (C) Tighten Knob
- (D) Tighten Knob
- (E) Attach Connector Pin

WARNING

You Must Use Guard Rails & Outriggers When Stacking Units. Lock Casters Before Climbing Onto Scaffold.

IF THERE IS ANY QUESTION ABOUT A CONDITION BEING SAFE OR UNSAFE, DO NOT OPERATE THIS PRODUCT!

HAVE QUESTIONS OR PROBLEMS? CONTACT CUSTOMER SERVICE.

If you experience a problem or need parts, visit our website <http://www.buffalotools.com> or call our customer help line at 1-636-532-9888, Monday-Friday, 8 AM - 4 PM Central Time. A copy of the sales receipt is required.