

IMPORTANT NOTE:

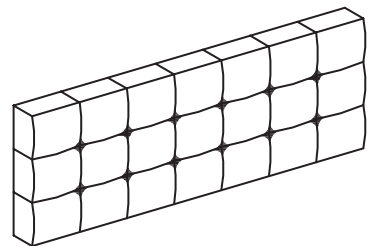
Carefully remove all the parts from the box. Arrange on a flat surface and verify you have all of the following parts and hardware.

TOOLS REQUIRED:

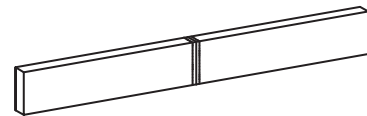
Phillips Screwdriver

PARTS LIST

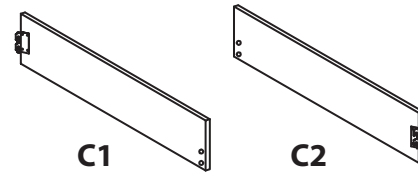
A. Headboard (1 pc)



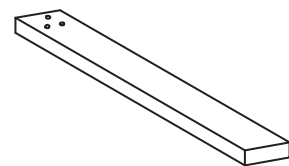
B. Footboard (1 pc)



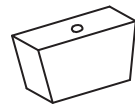
C. Side Rail (4 pcs)



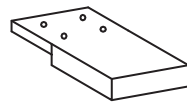
D. Headboard Leg (2 pcs)



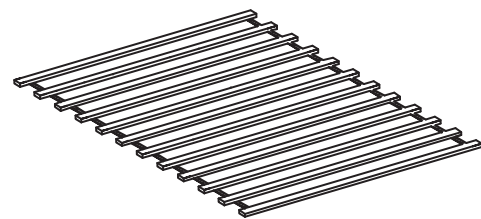
E. Footboard Leg (2 pcs)



F. Side Rail Leg (2 pcs)



G. Wood Slat System (1 pc)

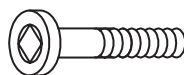


H. Center Leg (7 pcs)

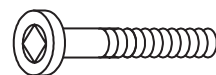


HARDWARE LIST

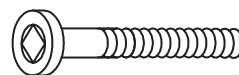
I. 30mm Bolt (8 pcs)



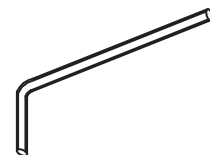
J. 40mm Bolt (7 pcs)



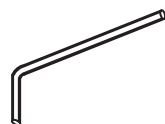
K. 50mm Bolt (8 pcs)



L. Large Hex Key (1 pc)



M. Small Hex Key (1 pc)



N. Spring Washer (6 pcs)



O. Flat Washer (8 pcs)

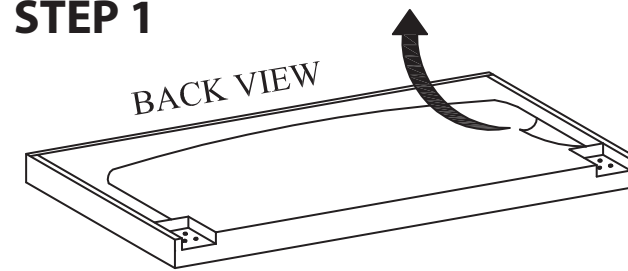


P. 32mm Screw (14 pcs)

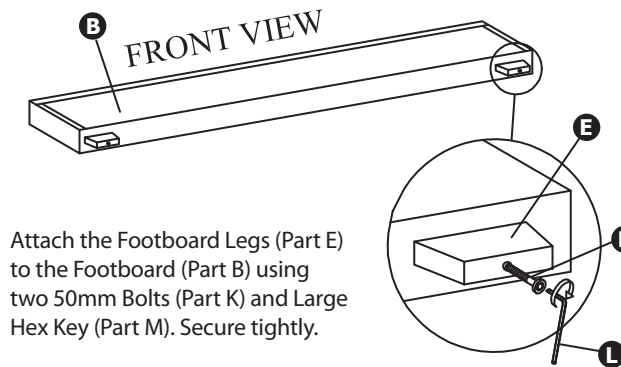


ASSEMBLY INSTRUCTIONS

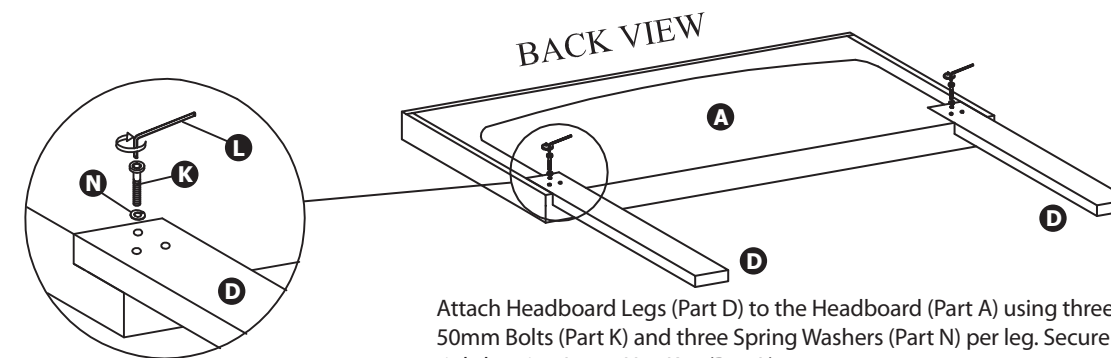
STEP 1



Unzip the black fabric on the back of the headboard and remove the parts. Zip the black fabric closed after parts are removed.

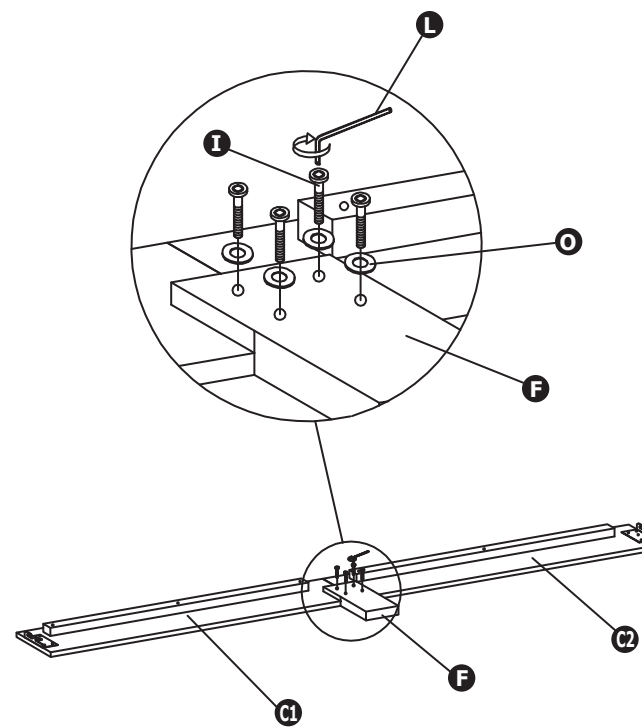


Attach the Footboard Legs (Part E) to the Footboard (Part B) using two 50mm Bolts (Part K) and Large Hex Key (Part L). Secure tightly.



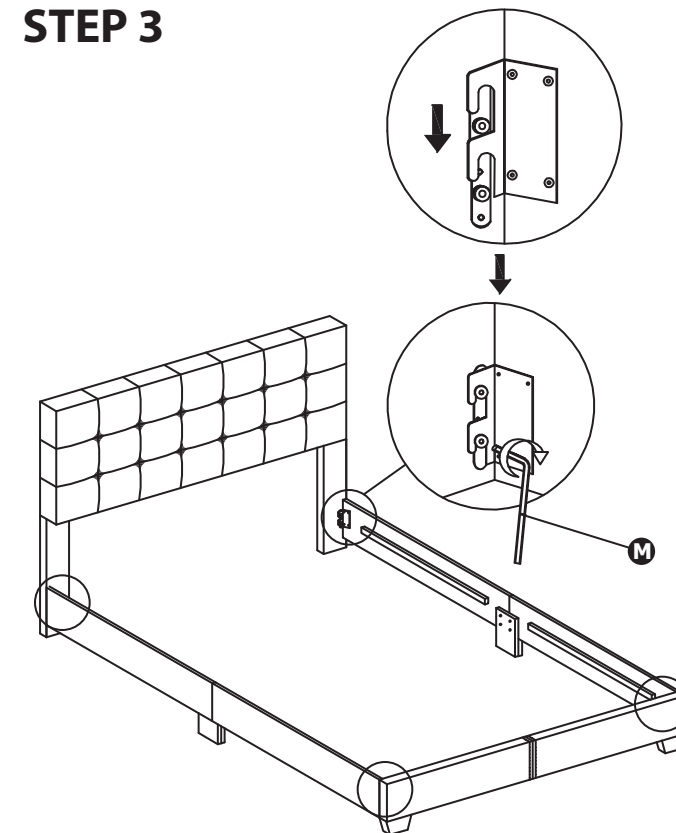
Attach Headboard Legs (Part D) to the Headboard (Part A) using three 50mm Bolts (Part K) and three Spring Washers (Part N) per leg. Secure tightly using Large Hex Key (Part L).

STEP 2



Attach the Side Rails (Parts C1 & C2) to Side Rail Leg (Part F) using four 30mm Bolts (Part I) and four Flat Washers (Part O). Secure tightly using Large Hex Key (Part L). Repeat this process for the other Side Rail.

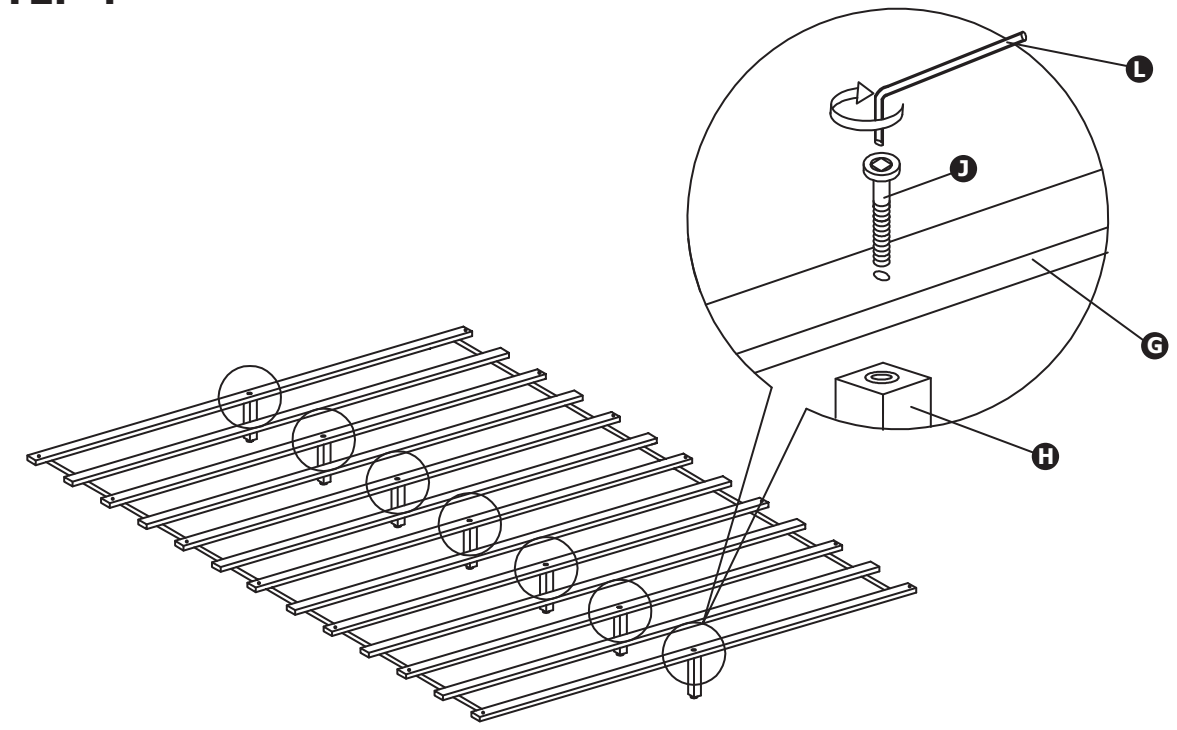
STEP 3



Attach the Side Rails to the Headboard (Part A) and Footboard (Part B) by sliding the side rail brackets onto the bolts on the Headboard Legs (Part D) and Footboard (Part B). Secure tightly using Small Hex Key (Part M).

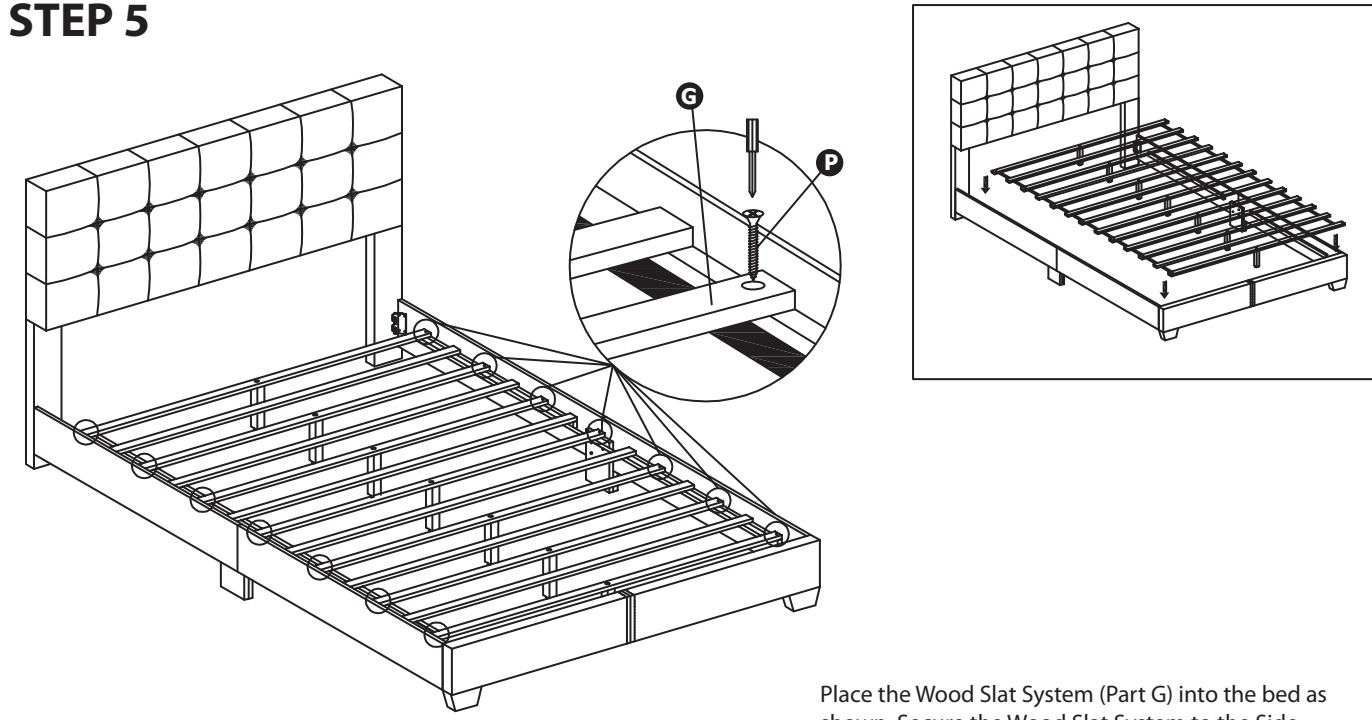
ASSEMBLY INSTRUCTIONS (CONTINUED)

STEP 4



Attach the Center Legs (Part H) to the Wood Slat System (Part G) using 40 mm Bolt (Part J) and Large Hex Key (Part L) to tighten.

STEP 5



Place the Wood Slat System (Part G) into the bed as shown. Secure the Wood Slat System to the Side Rails (Part C1 & C2) using 14 Screws 32mm (Part P) and a Phillips Head Screwdriver (Not provided). Your bed is now set up and ready for use.

Platform Bed Assembly Instructions Contains One Bed and Hardware

