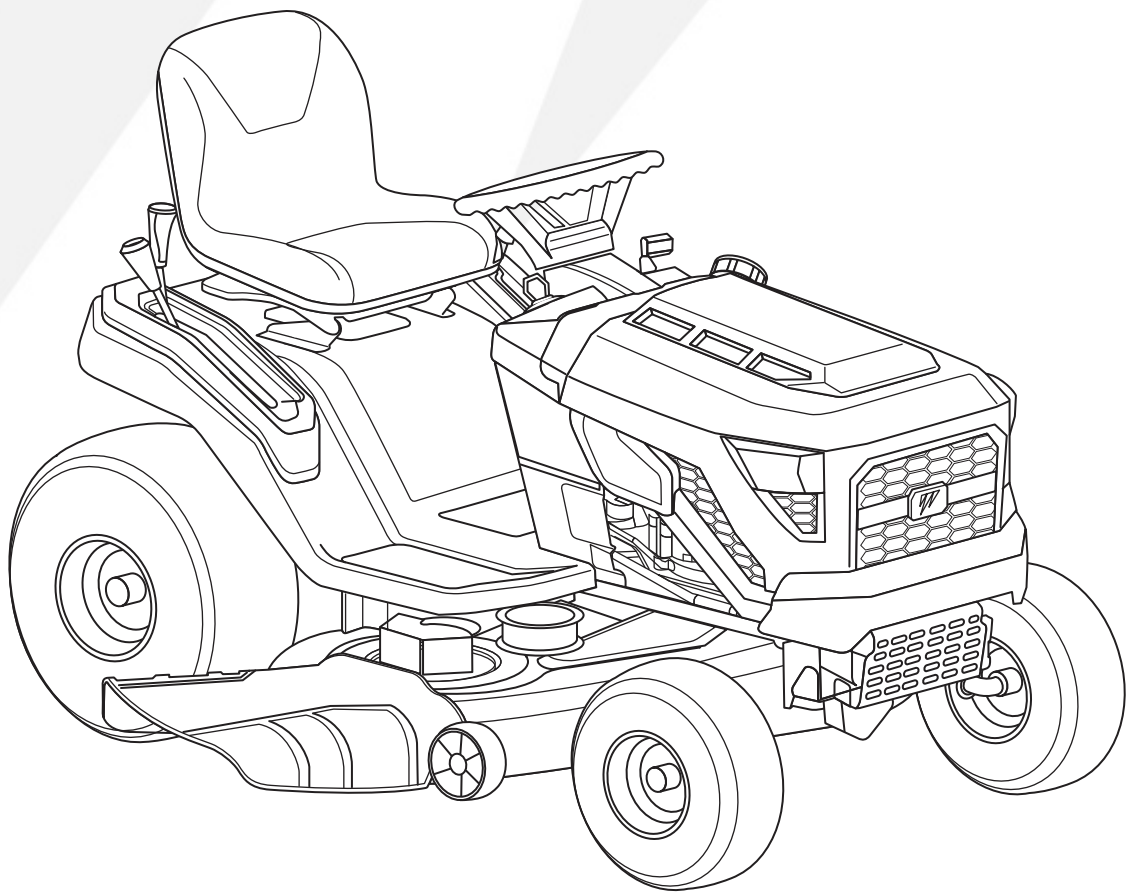




# MT100 LAWN TRACTOR

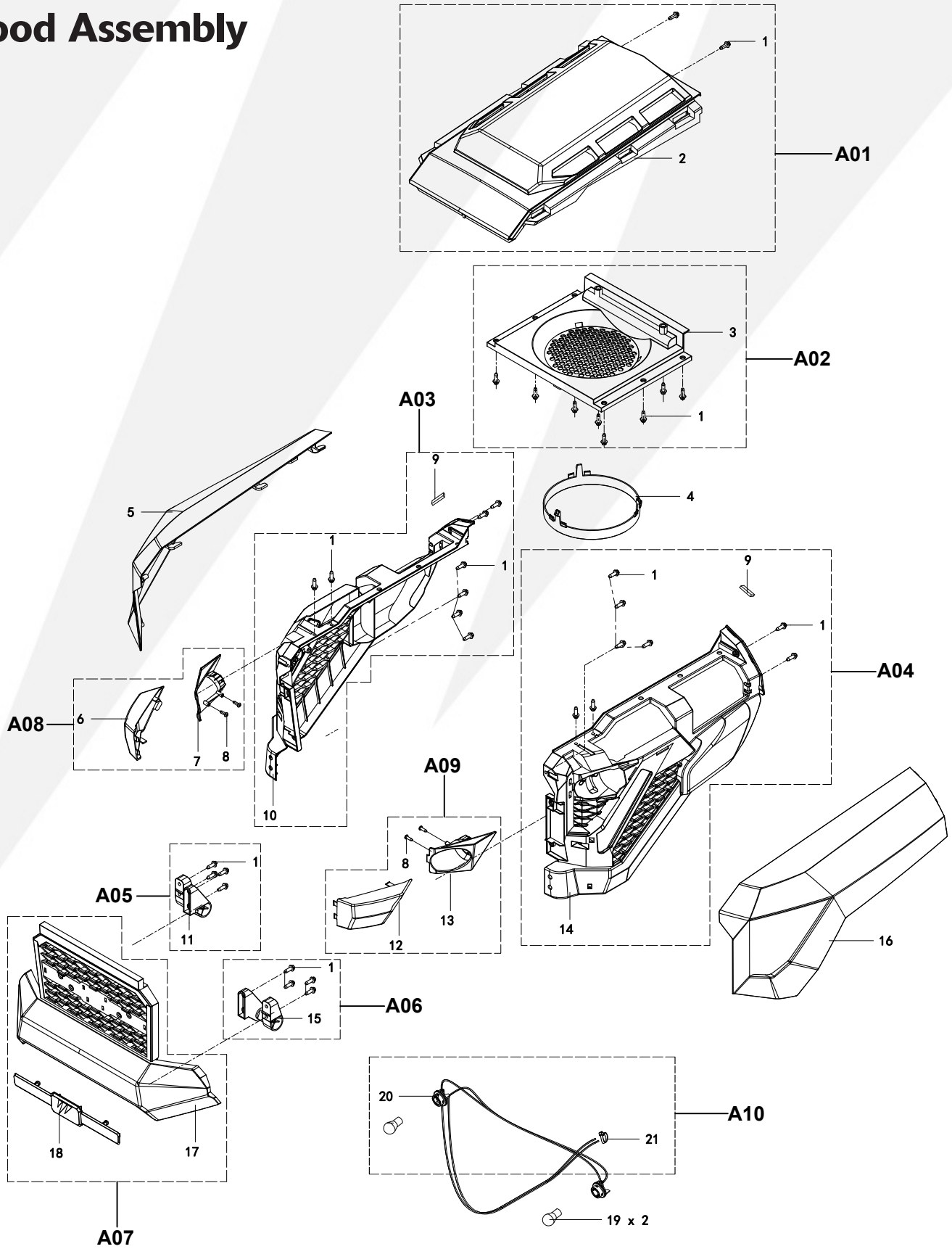
## Illustrated Parts List

Model #MYT4213500



Customer Service Number: (855) 693-2582 | [www.murray.com](http://www.murray.com)

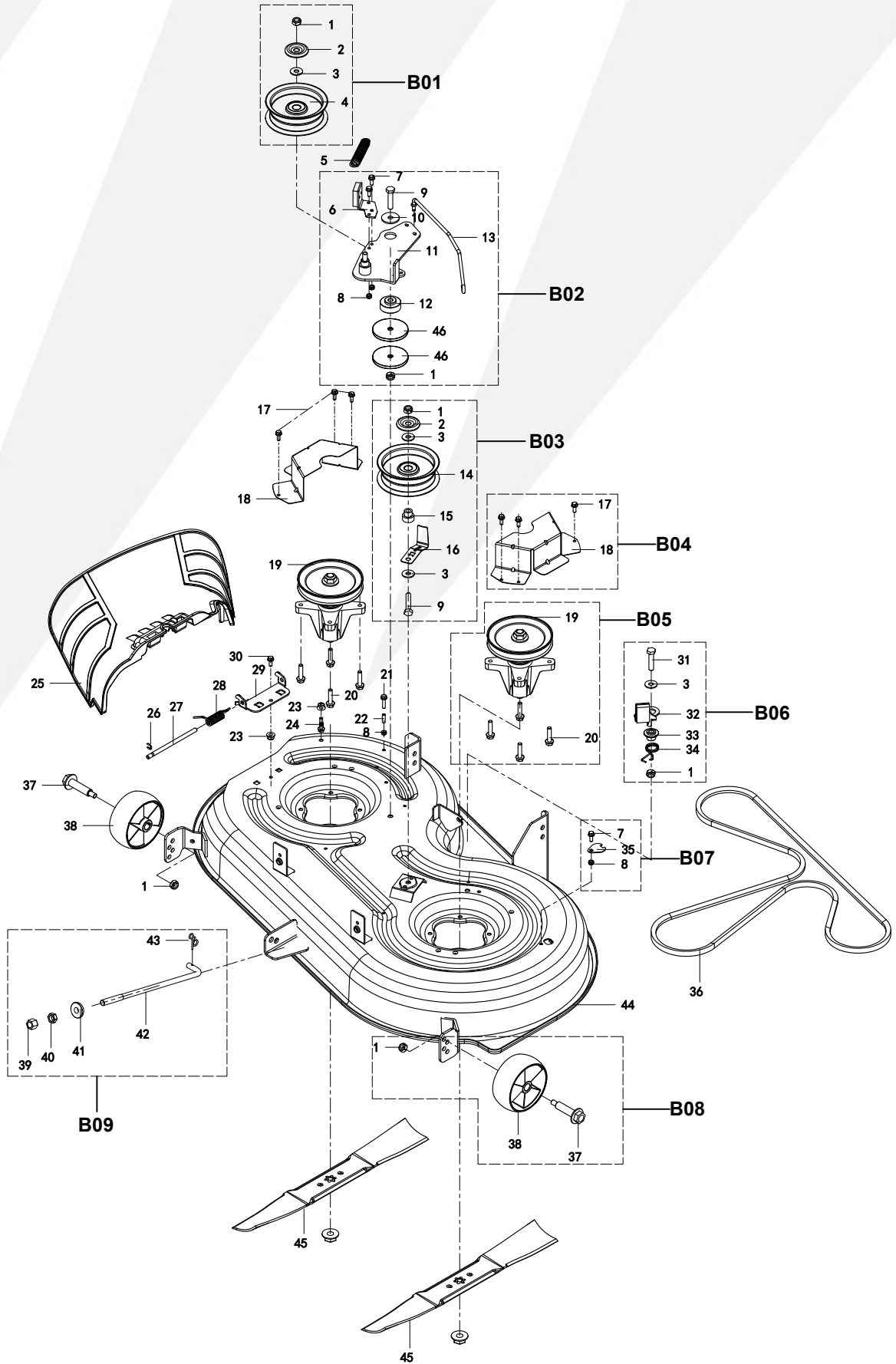
# Hood Assembly



PARTS SOLD INDIVIDUALLY			
REF NO	PART NUMBER	PART DESCRIPTION	UNIQUE
4	21091002190001A	Cooling Air Intake, Ring	
5	21091002210320A	Hood Side Trim Panel, Right	
16	21091002200320A	Hood Side Trim Panel, Left	
19	2108900234A	Headlight Bulb	

PARTS SOLD AS KITS							
REF NO	PART NUMBER	PART DESCRIPTION	QTY	UNIQUE	Kit	Kit PN	Kit Name
1	3011305002	Screw, Hex Head Flange	2		A01	2130200007	Air Intake Hood Kit
2	21091002170001A	Hood Air Scoop	1				
1	3011305002	Screw, Hex Head Flange	8		A02	2130200008	Air Intake Hood Bracket Kit
3	21091002180001A	Hood Intake Bracket	1				
1	3011305002	Screw, Hex Head Flange	8		A03	2130200010	Right Hood Housing Kit
9	2103900036A	Single-Sided Foam	1				
10	21091002160001A	Hood Side Grille, Right	1				
1	3011305002	Screw, Hex Head Flange	8		A04	2130200011	Left Hood Housing Kit
9	2103900036A	Single Sided Foam	1				
14	21091002150001A	Hood Cover Left Shell	1				
1	3011305002	Screw, Hex Head Flange	4		A05	2130200012	Hood Right Bracket Kit
11	21091001850001A	Hood Bumper Bracket Right	1				
1	3011305002	Screw, Hex Head Flange	4		A06	2130200013	Hood Left Bracket Kit
15	21091001840001A	Hood Bumper Bracket Left	1				
17	21091002230001A	Front Bumper Cover	1		A07	2130200014	Hood Front Logo Kit
18	21091002224173A	Murray Badge	1				
6	2109100225A	Headlight Cover Right	1		A08	2130200015	Right Headlight Cover Kit
7	21091001835017A	Lampshade Reflector Cup Right	1				
8	A26800105502	Self Tapping Screws	2				
8	A26800105502	Screw, Phillips Head	2		A09	2130200016	Left Headlight Cover Kit
12	2109100224A	Headlight Cover, Left	1				
13	21091001825017A	Headlight Reflector, Left	1				
20	2108900298A	Lamp Socket Connection Line	1		A10	2130200017	Headlight Holder Connecting Wire Kit
21	2013900164	Nylon Cable Tie	1				

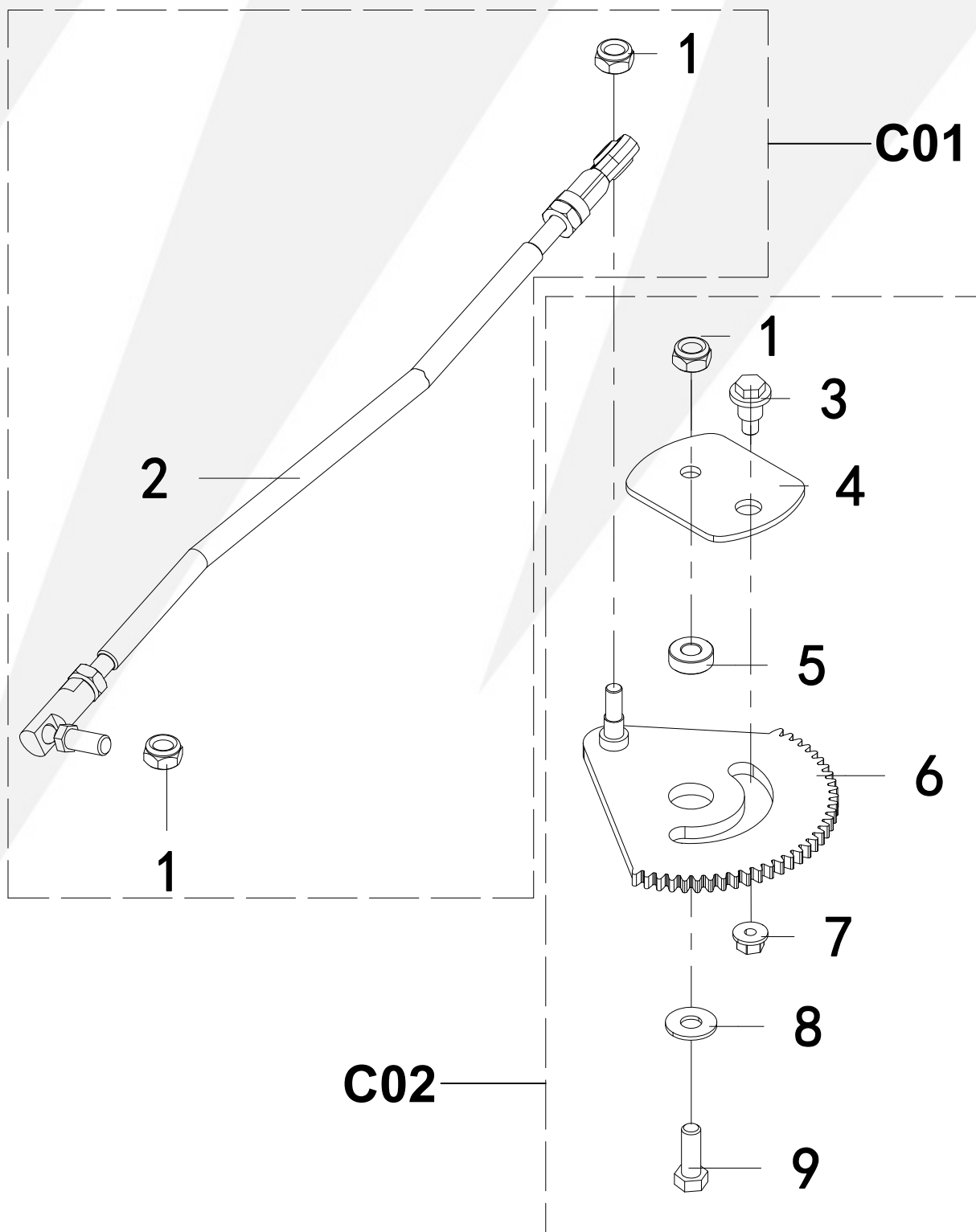
# Deck Assembly



PARTS SOLD INDIVIDUALLY			
REF NO	PART NUMBER	PART DESCRIPTION	UNIQUE
5	2103800032A	Tension Spring	
8	30313090035014	Hexagon Lock Nut M6	
21	30913070035014	Hex Head Bolt M6	
22	2032400001A	Spacer	
23	30323040025014	Hex Flange Face Lock Nut M8	
24	30913070225014	Hex Head Flange Bolt M8 x 25	
25	21091001990001A	Side Discharge Chute	
26	A26800900101	Retaining Ring	
27	2103900033A	Pivot Rod, Side Discharge Chute	
28	2103800033A	Torsion Spring, Side Discharge Chute	
29	2103300159A	Bracket, Side Discharge Chute	
30	A26800623601	Hex Head Flange Bolt	
36	2109600037A	Belt	
44	21035002110320A	Deck Assembly	
45	2105200368A	Mower Blade w/ Bolt	

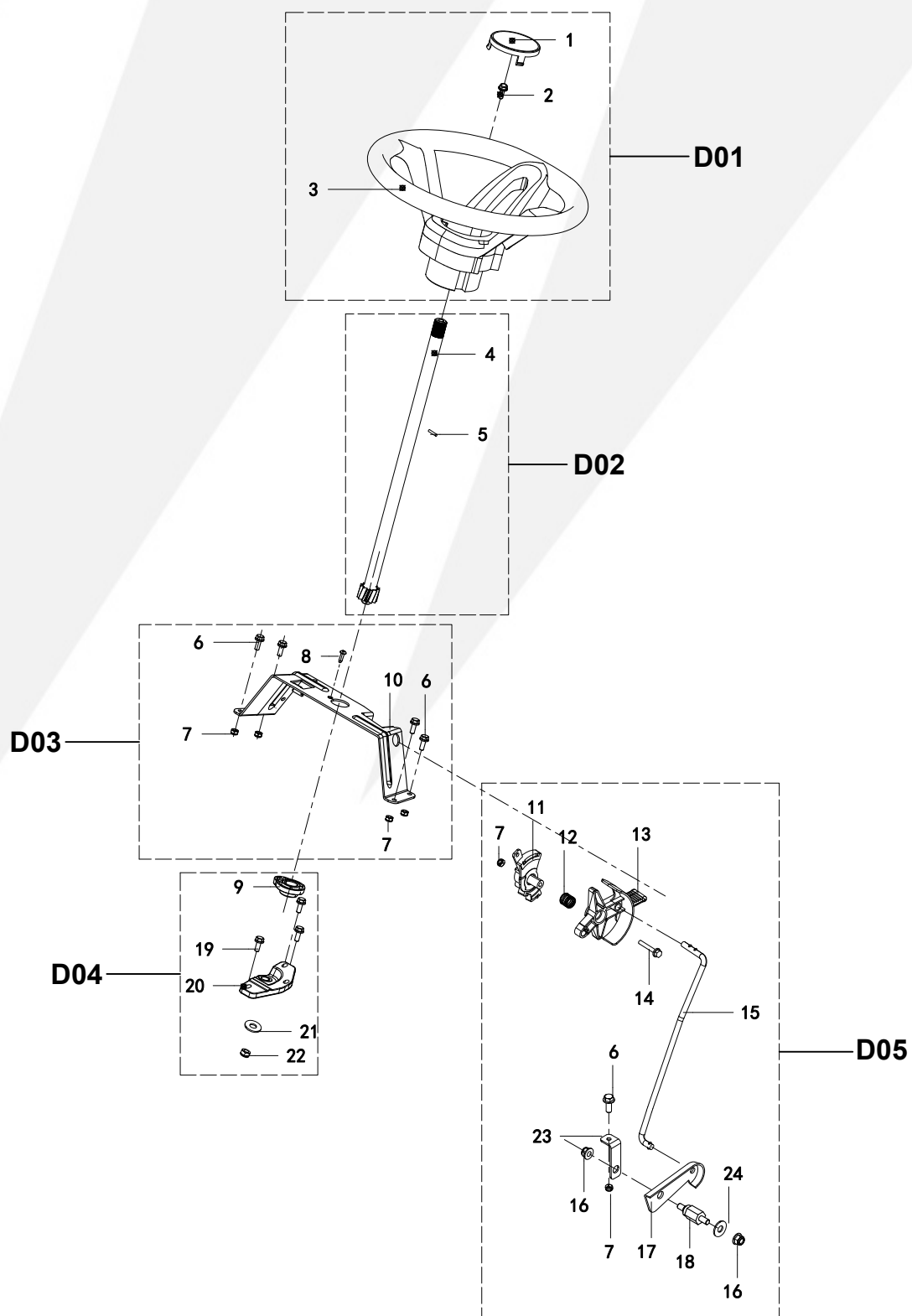
PARTS SOLD AS KITS										
REF NO	PART NUMBER	PART DESCRIPTION	QTY	UNIQUE	KIT	KIT PN	KIT NAME			
1	30313090085014	Hex Lock Nut	1		B01	2130200018	Right Tensioning wheel Kit			
2	2103900024A	Tension Pulley Cover	1							
3	2106300376A	Flat Washers	1							
4	2101300242A	Right Tensioner	1							
1	30313090085014	Hex Lock Nut	1		B02	2130200019	Right Tensioning Pulley Fixing Support Kit			
6	2105900005A	Brake Pad Right Bracket Assembly	1							
7	3091308005	Hex Head Flange Bolts M6 x 16	2							
8	30313090035014	Hex Lock Nut M6	2							
9	30913030045000	Hex Head Bolt M10 x 45	1							
10	2103300161A	Flat Washers	1							
11	2103300157A	Right Tensioner Fixing Bracket	1							
12	2103400007A	Bushing	1							
13	2103300160A	Brake Connecting Rod	1							
46	2109300265A	Washer	2							
1	30313090085014	Hex Lock Nut	1					B03	2130200020	Left Tensioning Wheel Kit
2	2103900024A	Tension Pulley Cover	1							
3	2106300376A	Flat Washers	2							
9	30913030045000	Hex Head Bolt M10 x 45	1							
14	2103900023A	Idler Pulley	1							
15	2103400008A	Spacer, Idler Pulley	1							
16	2103300154A	Left Tensioner Belt Limiter	1							
17	23033000485014A	Self Tapping Bolt, M6 x 16	3		B04	2130200021	Tensioner Protective Support			
18	21039000250320A	Tensioner Protection Bracket	1		B05	2130200022	Blade Support Bolt Kit			
19	2109300156A	Deck Spindle Assembly	1							
20	30913070185014	Bolt, Hex Head Flange M8 x 20	4							
1	30313090085014	Hex Lock Nut	1		B06	2130200023	Left Brake Kit			
3	2106300376A	Flat Washers	1							
31	30913040175014	Hex Head Bolt M10 x 40	1							
32	2105900004A	Brake Pad Left Bracket Assembly	1							
33	2103400006A	Brake Pad Left Bracket Bushing	1							
34	2103800031A	Left Bracket Torsion Spring	1							
7	3091308005	Hex Head Flange Bolts M6 x 16	1		B07	2130200024	Flushing Cover Plate Kit			
8	30313090035014	Hex Lock Nut M6	1							
35	2103300156A	Wash Port Cover Plate	1							
1	30313090085014	Hex Lock Nut	1		B08	2130200025	Auxiliary Wheel Kit			
37	2109300195A	Bolt, Anti-scalp Wheel	1							
38	21091001980001A	Anti-scalp Wheel	1							
39	3031309012	Hex Lock Nut M12	1		B09	2130200026	Deck Front Link Kit			
40	30313070015014	Hex Thin Nut M12	1							
41	2103900031A	Connector	1							
42	2103900030A	Deck Pitch Rod	1							
43	2269800006A	Pin B	1							

# Steering Assembly - Bottom



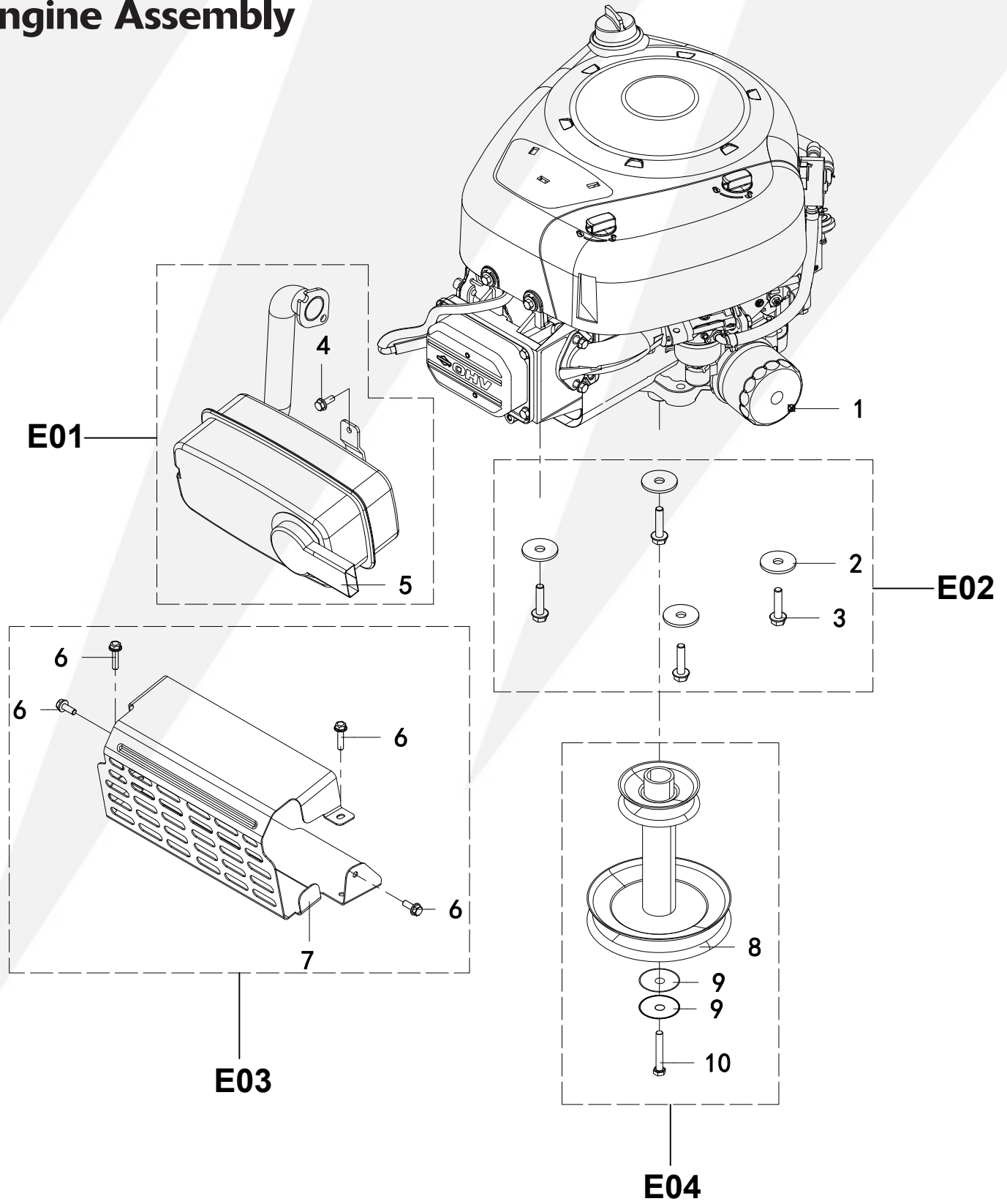
PARTS SOLD AS KITS							
REF NO	PART NUMBER	PART DESCRIPTION	QTY	UNIQUE	KIT	KIT PN	KIT NAME
1	30313090085014	Hex Lock Nut	2		C01	2130200028	Steering Ball Joint Connecting Rod Kit
2	2106300425A	Steering Ball Joint Rod	1				
1	30313090085014	Hex Lock Nut	1		C02	2130200029	Steering Sector Gear Kit
3	2103300147A	Special Large Carriage Bolt M8	1				
4	2106300374A	Steering Gear Plate	1				
5	2106300375A	Tooth Plate Bushing	1				
6	2106500015A	Steering Sector Gear Welding	1				
7	30323040025014	Hex Flange Face Lock Nut M8	1				
8	2106300376A	Flat Washers	1				
9	30913040165000	Hex Head Bolt M10 x 35	1				

# Steering Assembly - Top



PARTS SOLD AS KITS							
REF NO	PART NUMBER	PART DESCRIPTION	QTY	UNIQUE	KIT	KIT PN	KIT NAME
1	21091001800001A	Steering Wheel Cover	1		D01	2130200030	Steering Wheel Kit
2	30913070225014	Hex Head Flange Bolts M8	1				
3	21091001790001A	Steering Wheel	1				
4	2106500016A	Steering Shaft	1		D02	2130200031	Steering Welding Rod Kit
5	3082304006	Spring Pin	1				
6	3091308005	Hex Head Flange Bolts M6 x 16	4		D03	2130200032	Steering Wheel Support Kit
7	30313090035014	Hex Lock Nut M6	4				
8	A26800105502	Self-Tapping Screws	1				
10	21032003830001A	Steering Wheel Fixing Bracket	1				
9	2109100210A	Collar, Steering Shaft	1		D04	2130200033	Steering Support Kit
19	23033000485014A	Screw, Hex Head Flange	1				
20	2109100226A	Steering Support Seat	1				
21	2106300376A	Flat Washers	1				
22	30313090085014	Nut, Hex Lock M10	3				
6	3091308005	Hex Head Flange Bolts M6 x 16	1		D05	2130200034	Parking Brake Kit
7	30313090035014	Hex Lock Nut M6	2				
11	2109100207A	Parking Gear Tooth Plate	1				
12	2426800001A	Tooth Spring	1				
13	21091002060322A	Parking Mechanism Trigger	1				
14	30913070135000	Hex Flange Bolts	1				
15	2109300162A	Parking Lever	1				
16	30323040025014	Hex Flange Face Lock Nut M8	2				
17	2106300382A	Parking Pallet	1				
18	2106300384A	M8 Double-Ended Step Bolt	1				
23	2106300386A	Parking Support Plate	1				
24	2102200018A	Large Washer	1				

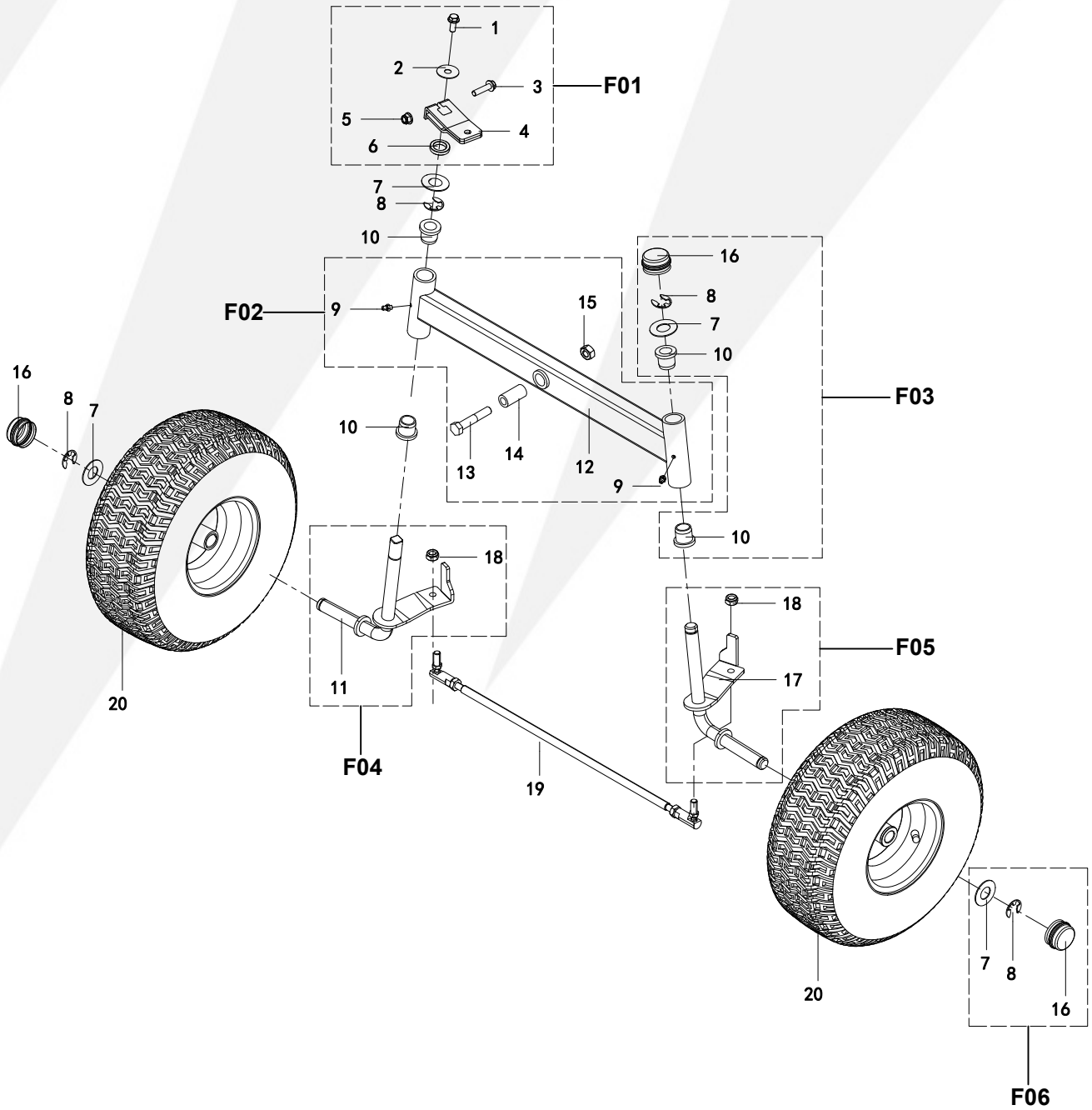
# Engine Assembly



PARTS SOLD INDIVIDUALLY			
REF NO	PART NUMBER	PART DESCRIPTION	UNIQUE
1	H2030100379A	Engine Assembly	

PARTS SOLD AS KITS							
REF NO	PART NUMBER	PART DESCRIPTION	QTY	UNIQUE	KIT	KIT PN	KIT NAME
4	2109300242A	Bolt, Hex Head Flange 1/4-20	1		E01	2130200035	Muffler Kit
5	2109300208A	Muffler Assembly	1				
2	2103300161A	Flat Washers	4		E02	2130200038	Fixing Engine Bolt Kit
3	2109900066A	Bolt, Hex Head Flange 3/8-16 x 1	4				
6	3091308005	Hex Head Flange Bolts M6 x 16	4		E03	2130200039	Muffler Steel Cover Kit
7	21092001090001A	Muffler Guard	1				
8	2109500002A	Drive Pulley	1		E04	2130200040	Driving Pulley Kit
9	2105300073A	Washer, Conical	2				
10	2103300152A	Bolt, 7 /16-20	1				

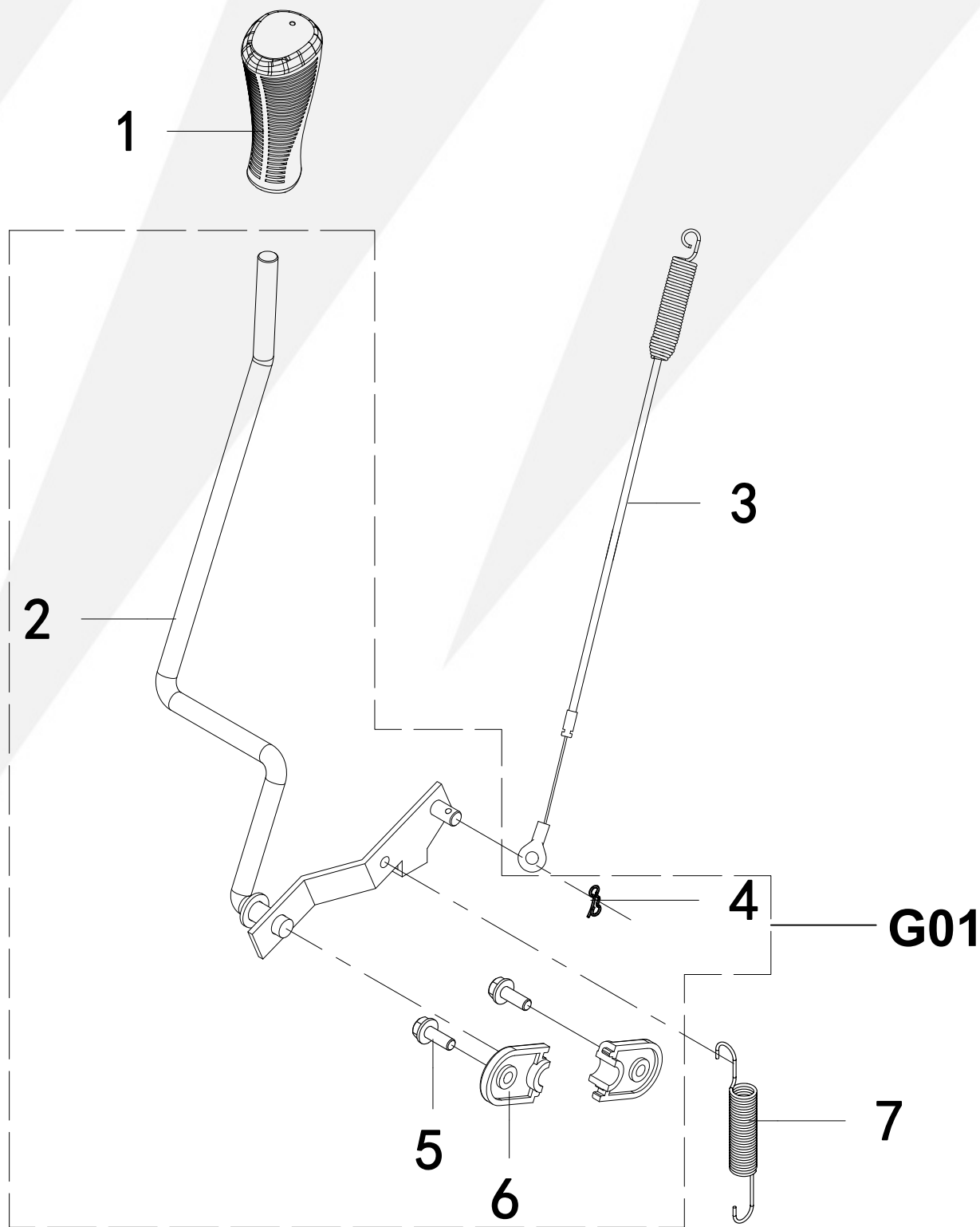
# Front Axle Assembly



PARTS SOLD INDIVIDUALLY			
REF NO	PART NUMBER	PART DESCRIPTION	UNIQUE
7	2109300236B	Large Washer	
8	3043301006	C-Clip	
10	2103400005A	Large Washer	
19	2103300149A	Front Suspension Rod	
20	2101900016A	15" Wheel Assembly	

PARTS SOLD KITS							
REF NO	PART NUMBER	PART DESCRIPTION	QTY	UNIQUE	KIT	KIT PN	KIT NAME
1	30913070185014	Hex Head Flange Bolts M8 x 20	1		F01	2130200041	Turning Arm Kit
2	2102200018A	Large Washer	1				
3	20313000995014A	Hex Head Flange Bolts	1				
4	2103300151A	Steering Knuckle Arm Assembly	1				
5	30323040025014	Hex Flange Face Lock Nut M8	1				
6	2103300150A	Front Suspension Iron Sleeve	1				
9	3131301002	Grease Fitting	2		F02	2130200042	Front Suspension Arm Kit
12	2103500208A	Front Axle	1				
13	3091303012	Hex Head Bolts	1				
14	2103300246A	Front Cantilever Spacer	1				
15	3031309012	Hex Lock Nut M12	1				
7	2109300236A	Large Washer	1		F03	2130200043	Front Suspension Sleeve Kit
8	3043301006	C-Clip	1				
10	2103400005A	Steering Knuckle Cap	2				
16	2109100204A	Plastic Cap	1				
11	2109500010A	Right Steering Knuckle Assembly	1		F04	2130200044	Right Turning Kit
18	30313090085014	Hex Lock Nut	1		F05	2130200045	Left Turning Kit
17	2109500009A	Left Steering Knuckle Assembly	1				
18	30313090085014	Hex Lock Nut	1		F06	2130200046	Wheel Cap Kit
7	2109300236A	Large Washer	1				
8	3043301006	C-Clip	1				
16	2109100204A	Plastic Cap	1				

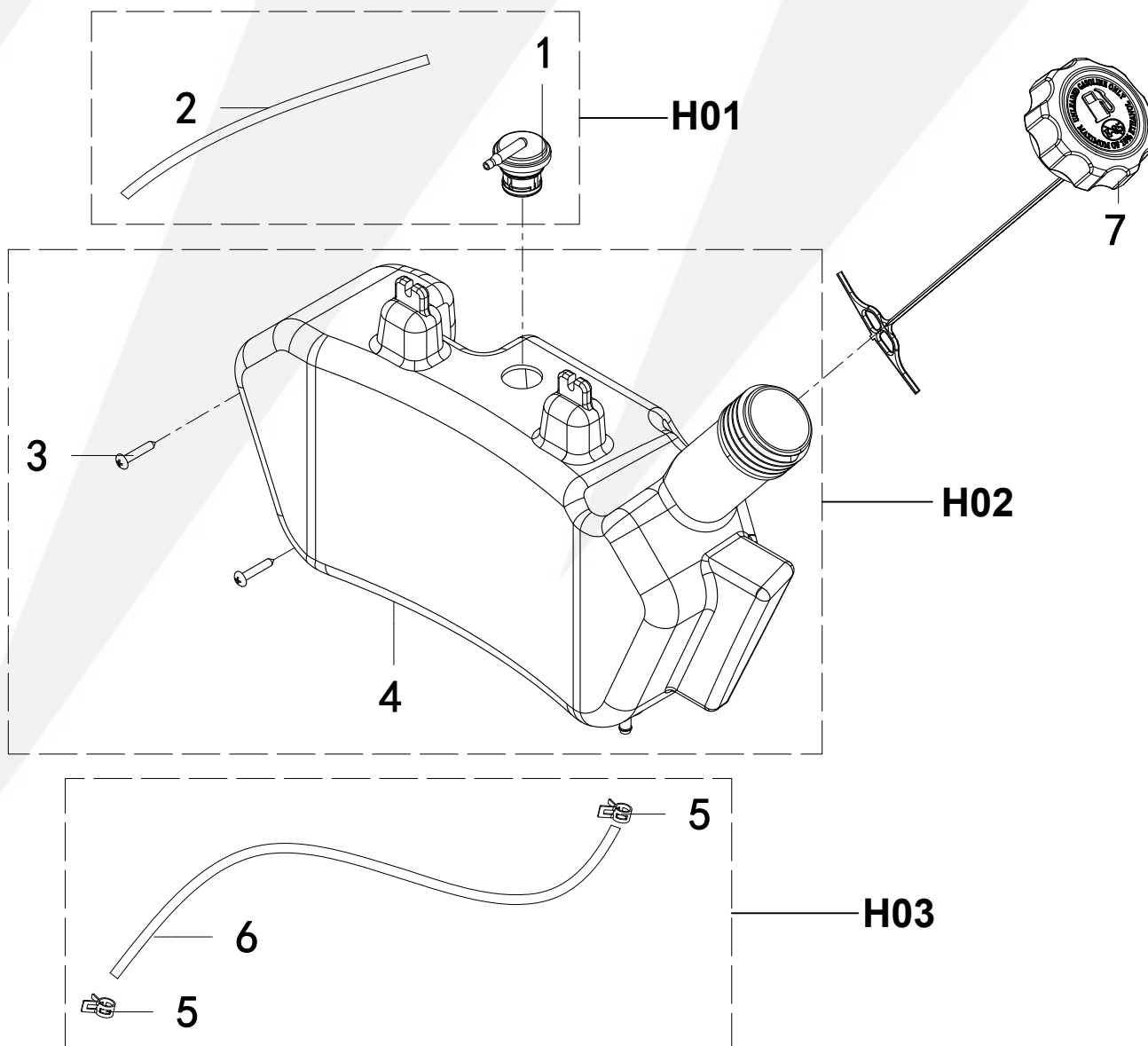
# Blade Engagement Assembly



PARTS SOLD INDIVIDUALLY			
REF NO	PART NUMBER	PART DESCRIPTION	UNIQUE
1	21061008240322A	Blade Engagement Handle	
3	2109800292A	Drive Cable Assmebly	
7	2109800253A	Return Tension Spring	

PARTS SOLD AS KITS							
REF NO	PART NUMBER	PART DESCRIPTION	QTY	UNIQUE	KIT	KIT PN	KIT NAME
2	2102500001A	Blade Engagement Rod	1		G01	2130200047	Belt Clutch Kit
4	21091001880001A	Cotter Pin	1				
5	23033000485014A	Bolt, Hex Head Flange M6 x 16	2				
6	21091001880001A	Mowing Tension Arm Mount	2				

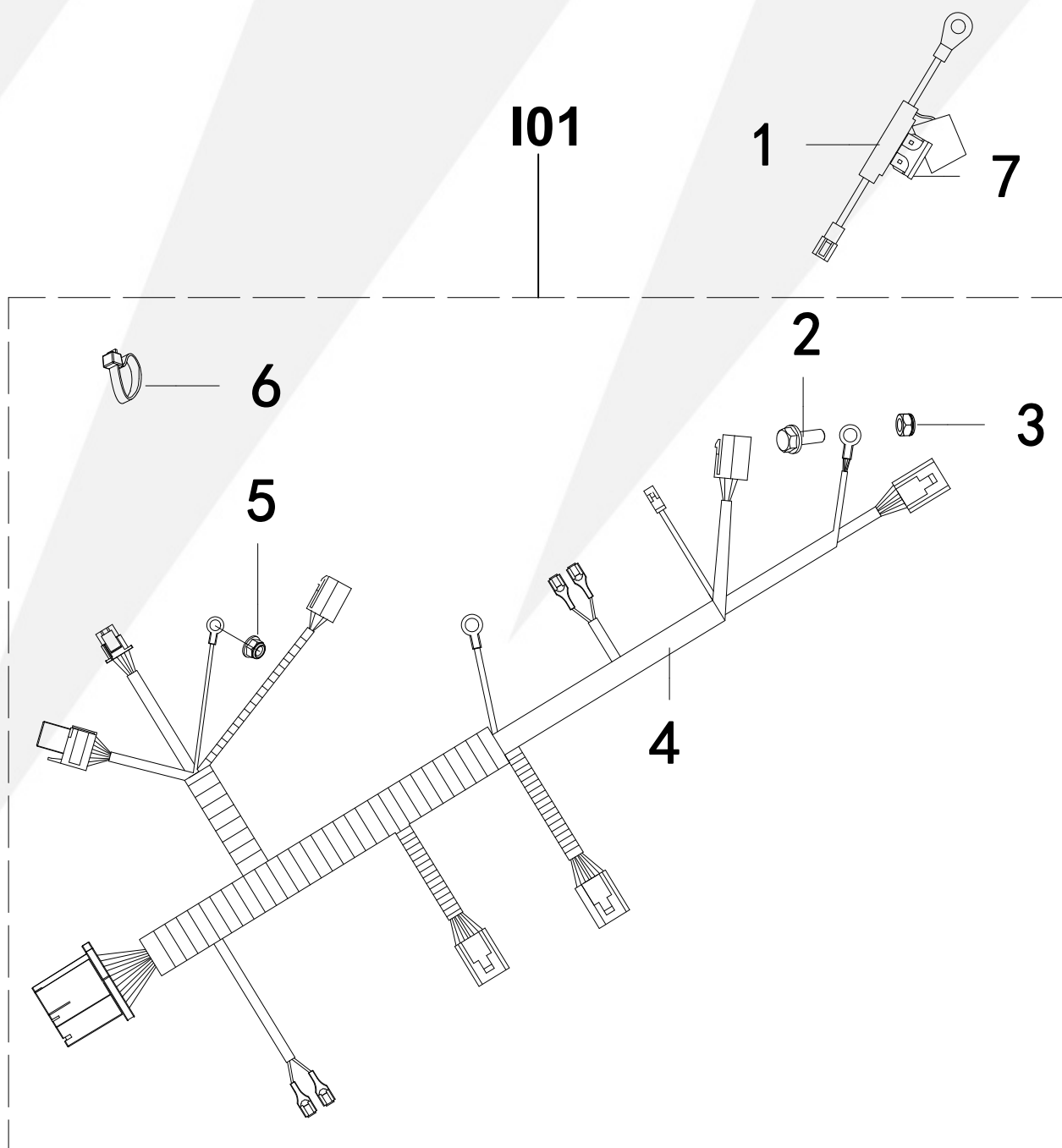
# Fuel Tank Assembly



PARTS SOLD INDIVIDUALLY			
REF NO	PART NUMBER	PART DESCRIPTION	UNIQUE
7	2109100202A	Fuel Tank Cap Assembly	

PARTS SOLD AS KITS							
REF NO	PART NUMBER	PART DESCRIPTION	QTY	UNIQUE	KIT	KIT PN	KIT NAME
1	2109100161A	Fuel Tank Breather Valve	1		H01	2130200048	Tank Breather Valve Kit
2	2109100175A	Fuel Hose	1				
3	A26800104801	Self-Tapping Screws	2		H02	2130200049	Oil Tank Kit
4	2109100203A	Fuel Tank	1				
5	2109900154A	Spring Clamp	2		H03	2130200050	Tubing Kit
6	2109600038A	Fuel Hose	1				

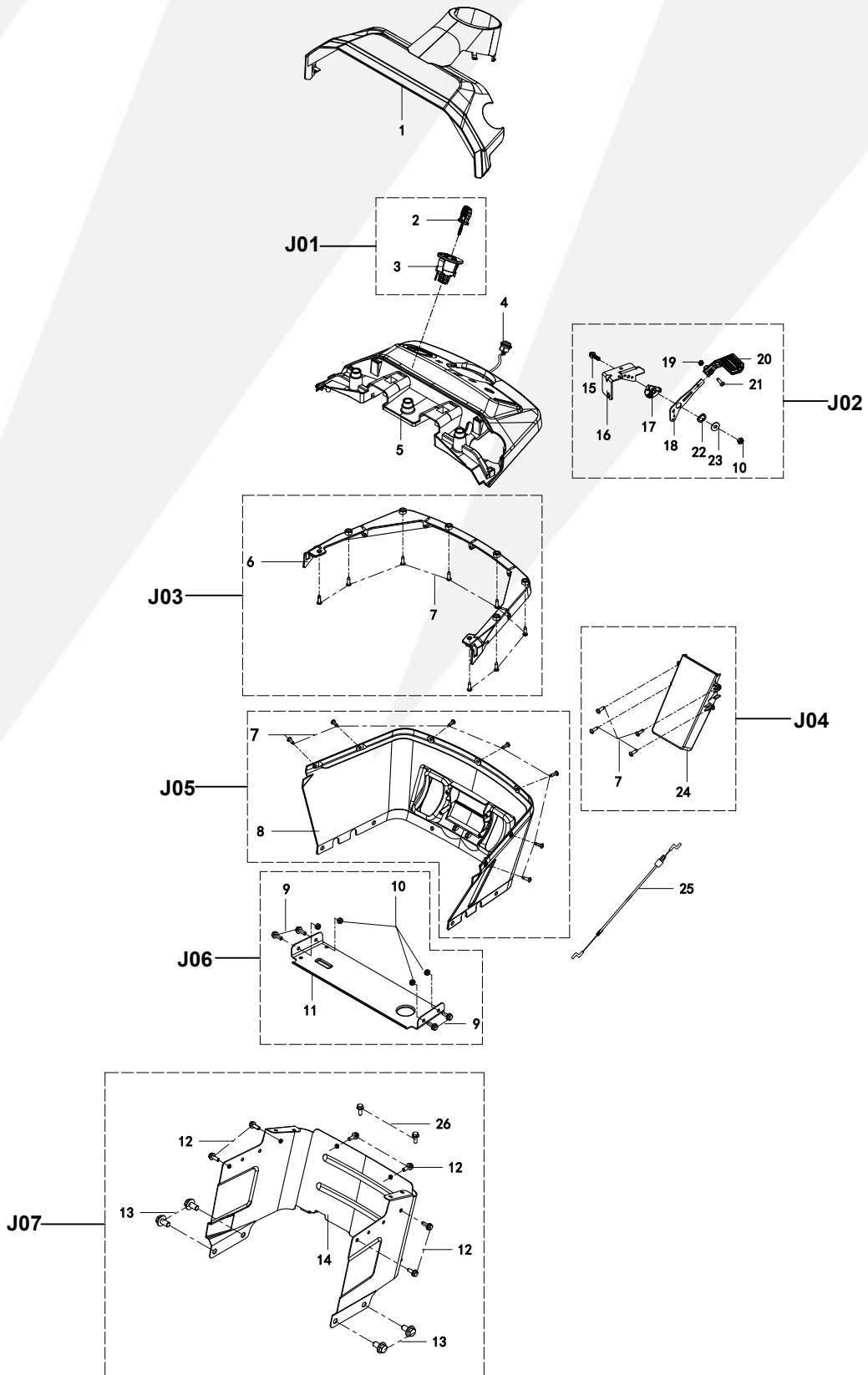
# Wiring Harness Assembly



PARTS SOLD INDIVIDUALLY			
REF NO	PART NUMBER	PART DESCRIPTION	UNIQUE
1	2108900303A	Fuse Holder Assembly	
7	2108100081A	20A Fuse	

PARTS SOLD AS KITS							
REF NO	PART NUMBER	PART DESCRIPTION	QTY	UNIQUE	KIT	KIT PN	KIT NAME
2	3091308005	Hex Head Flange Bolt M6 x 16	1		I01	2130200051	Wire Harness Kit
3	30313090035014	Hex Lock Nut M6	1				
4	2108900300A	Wiring Harness Assembly	1				
5	2102300203A	Hex Flange Nuts	1				
6	30313090035014	Hex Lock Nut M6	8				

# Dash Assembly

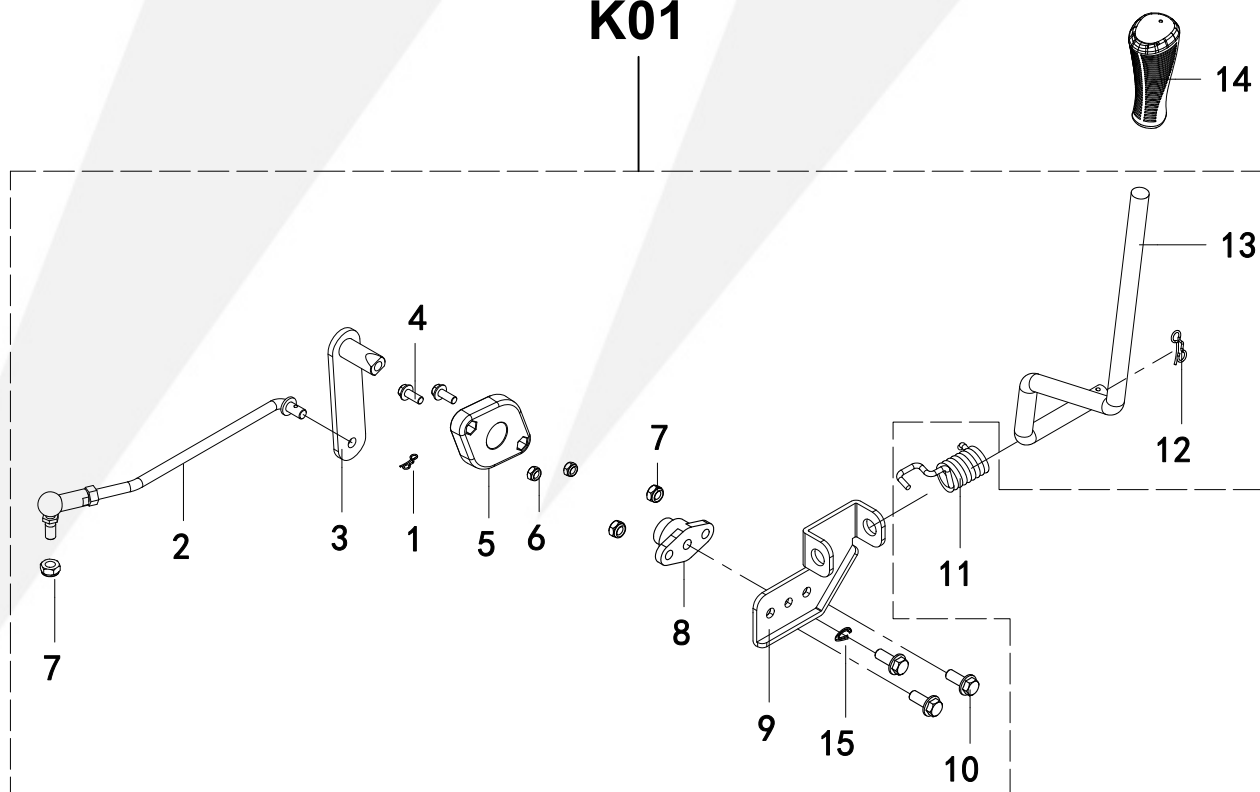


PARTS SOLD INDIVIDUALLY			
REF NO	PART NUMBER	PART DESCRIPTION	UNIQUE
1	21091001870001A	Dashboard Cover, Top	
4	2108100080A	Mow-In-Reverse Override Switch	
5	21091001890001A	Dashboard Cover Bottom	
25	2109800258A	Throttle Cable	

PARTS SOLD AS KITS							
REF NO	PART NUMBER	PART DESCRIPTION	QTY	UNIQUE	KIT	KIT PN	KIT NAME
2	2109300213A	Key	1		J01	H2130200052	Switch & Key Kit
3	H2108900237A	Ignition Switch	1				
10	30313090035014	Hex Lock Nut M6	1		J02	2130200053	Engine Throttle Handle Kit
15	30913070105000	Hex Flange Bolts M6 x 20	1				
16	2106300395A	Throttle Lever Bracket	1				
17	21091001970001A	Throttle Damper Block	1				
18	2106300396A	Throttle Lever	1				
19	A26800503302	Hex Lock Nut M5	1				
20	21091001960322A	Throttle Lever Handle	1				
21	3021302018	Bolt, Phillips Head MS x 12	1				
22	A26800706202	Wave Gasket	1				
23	3051302002	Large Washer	1				
6	21091001910001A	Dashboard Connecting Strip	1		J03	2130200054	Connecting Bar Kit
7	A26800105502	Self-Tapping Screws	8		J04	2130200055	Storage Box Kit
7	A26800105502	Self-Tapping Screws	4				
24	21091001940001A	Storage Box	1		J05	2130200056	Dashboard Lower Cover Kit
7	A26800105502	Self-Tapping Screws	8				
8	21091001920001A	Dashboard Lower Cover	1		J06	2130200057	Oil Tank Support Kit
9	3091308005	Bolt, Hex Head Flange M6 x 16	4				
10	30313090035014	Hex Lock Nut M6	4				
11	21032003840001A	Bracket, Fuel Tank Support	1		J07	2130200058	Dashboard Support Base Kit
12	2109300237A	Bolt, Hex Head Flange M6 x 16	6				
13	2109300239A	Flanged Self-Tapping Bolt M10 x 18	4				
14	21032003850001A	Dashboard Support, Bottom	1				
26	23033000485014A	Bolt, Hex Head Flange M6 x 16	2				

# Gear Shifter Assembly

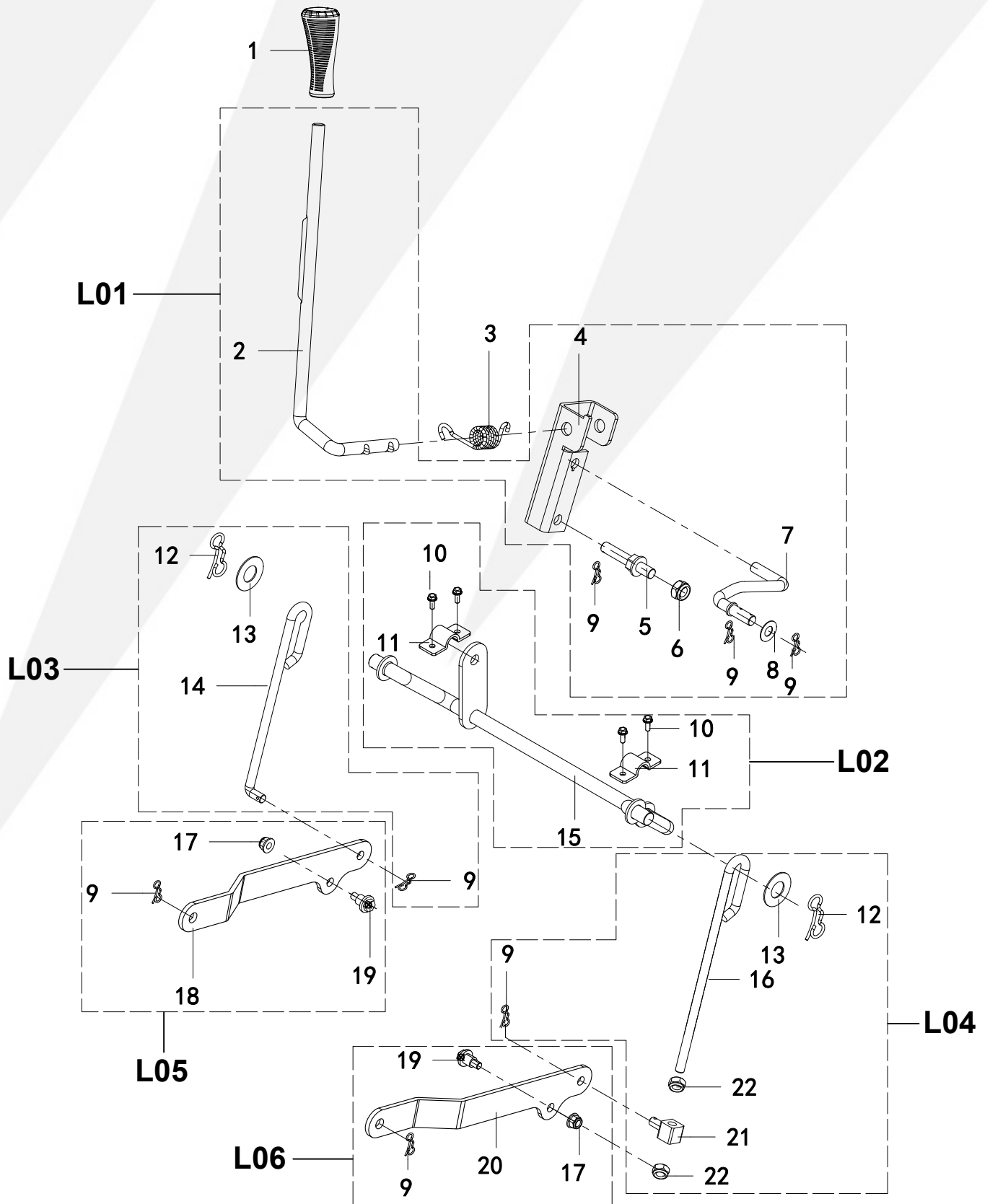
**K01**



PARTS SOLD INDIVIDUALLY			
REF NO	PART NUMBER	PART DESCRIPTION	UNIQUE
11	2109800263A	Shift Torsion Spring	
14	21091002080322A	Adjustment Handle Knob	

PARTS SOLD AS KITS							
REF NO	PART NUMBER	PART DESCRIPTION	QTY	UNIQUE	KIT	KIT PN	KIT NAME
1	23093000195000B	Cotter Pin	1		K01	2130200059	Shift Lever Kit
2	2109300226A	Shift Rod, Lower	1				
3	2109500012A	Shift Arm	1				
4	3091308005	Hex Head Flange Bolt M6 x 16	2				
5	21091002050001A	Gear Shifter Mount	1				
6	30313090035014	Nut, Hex Head M6	2				
7	3031309010	Hex Lock Nut M8	2				
8	2109300227A	Standoff	1				
9	2109200114A	Bracket, Gear Shifter	1				
10	30913070185014	Hex Head Flange Bolts M8 x 20	3				
12	2269800006A	Cotter Pin	1				
13	2109300228A	Shift Rod, Upper	1				
15	3052301002	Retaining Clip	1				

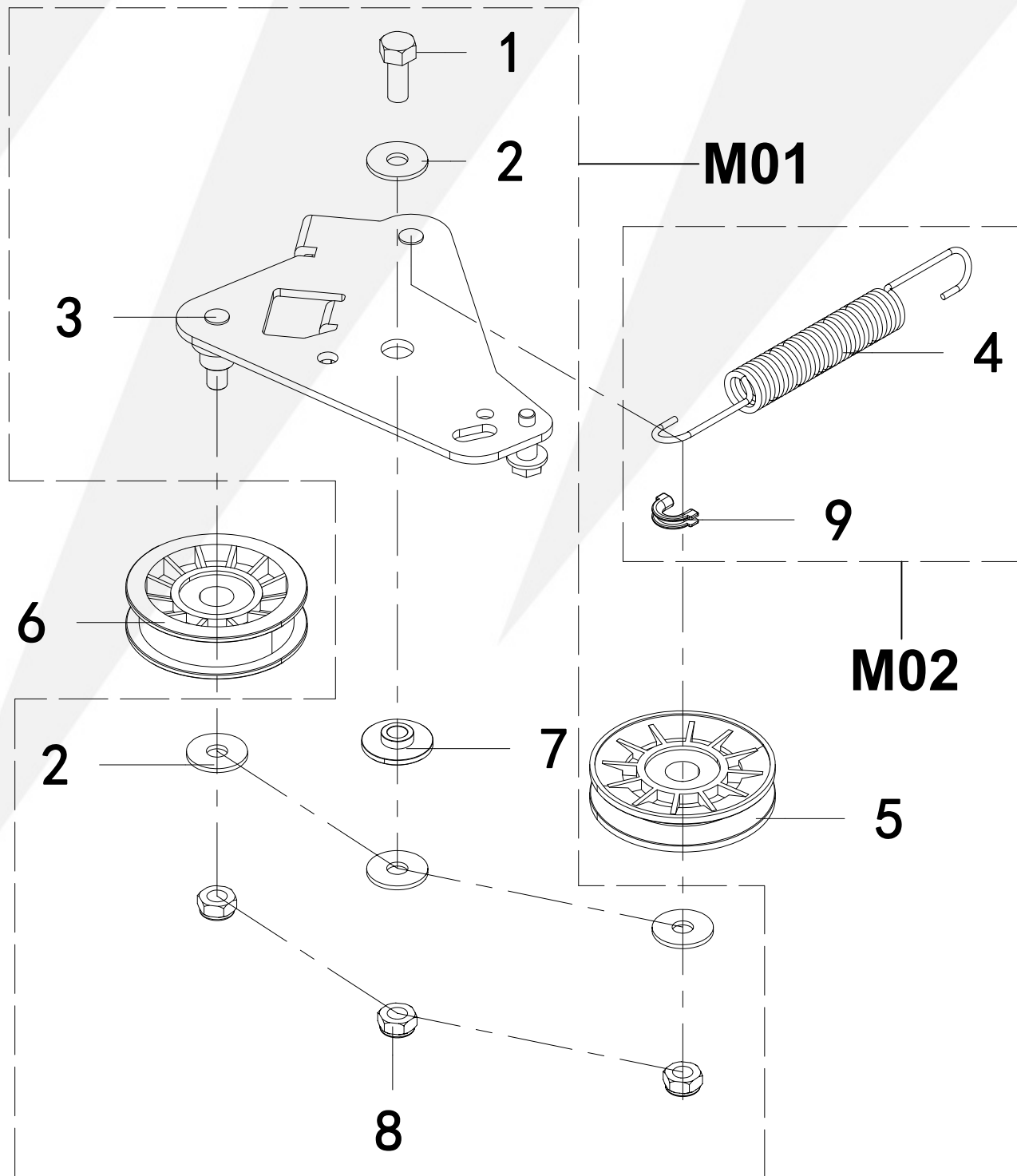
# Height of Cut Assembly



PARTS SOLD INDIVIDUALLY			
REF NO	PART NUMBER	PART DESCRIPTION	UNIQUE
1	21091002080322A	Adjustment Handle Knob	
3	2106800736A	Height Adjustment Torsion Spring	

PARTS SOLD AS KITS							
REF NO	PART NUMBER	PART DESCRIPTION	QTY	UNIQUE	KIT	KIT PN	KIT NAME
2	2106300388A	Cutting Height Adjustment Rod	1		L01	2130200061	Height Adjustment Rod Kit
4	2103300241A	Bracket, Height of Cut	1				
5	2109300217A	Bolt, Specialty M12 x 20	1				
6	3031309012	Hex Lock Nut	1				
7	2103300240A	Cutting Height Adjustment Linkage	1				
8	3051301002	Flat Washer	1				
9	2269800006A	Cotter Pin	3		L02	2130200063	CVT Height Adjustment Kit
10	3091308005	Hex Head Flange Bolt M6 x 16	4				
11	2109300215A	Cutting Height Assembly Fixing Plate	2				
15	2109500013A	Height of Cut Connecting Rod	1		L03	2130200065	Height Adjustment Right Hook Kit
9	2269800006A	Cotter Pin	1				
12	2109800275A	Cotter Pin	1				
13	2109300236A	Large Washer	1				
14	2103300239A	Deck Float Rod, Right	1		L04	2130200066	Height Adjustment Left Hook Kit
9	2269800006A	Cotter Pin	1				
12	2109800275A	Cotter Pin	1				
13	2109300236A	Large Washer	1				
16	2103300238A	Deck Float Rod, Left	1				
21	2103900029A	T-connector Block	1		L05	2130200067	CVT Right Height Adjustment Support Plate Kit
22	30313090085014	Hex Lock Nut	1				
9	2269800006A	Cotter Pin	1				
17	30323040025014	Hex Flange Face Lock Nut M8	1		L06	2130200069	CVT Left Height Adjustment Support Plate Kit
18	2106300387A	Bracket, Deck Lift, Right	1				
19	2103300147A	Bolt, Specialty M8 x 23	1				
9	2269800006A	Cotter Pin	1				
17	30323040025014	Hex Flange Face Lock Nut M8	1				
19	2103300147A	Bolt, Specialty M8 x 23	1				
20	2103300237A	Bracket, Deck Lift, Left	1				

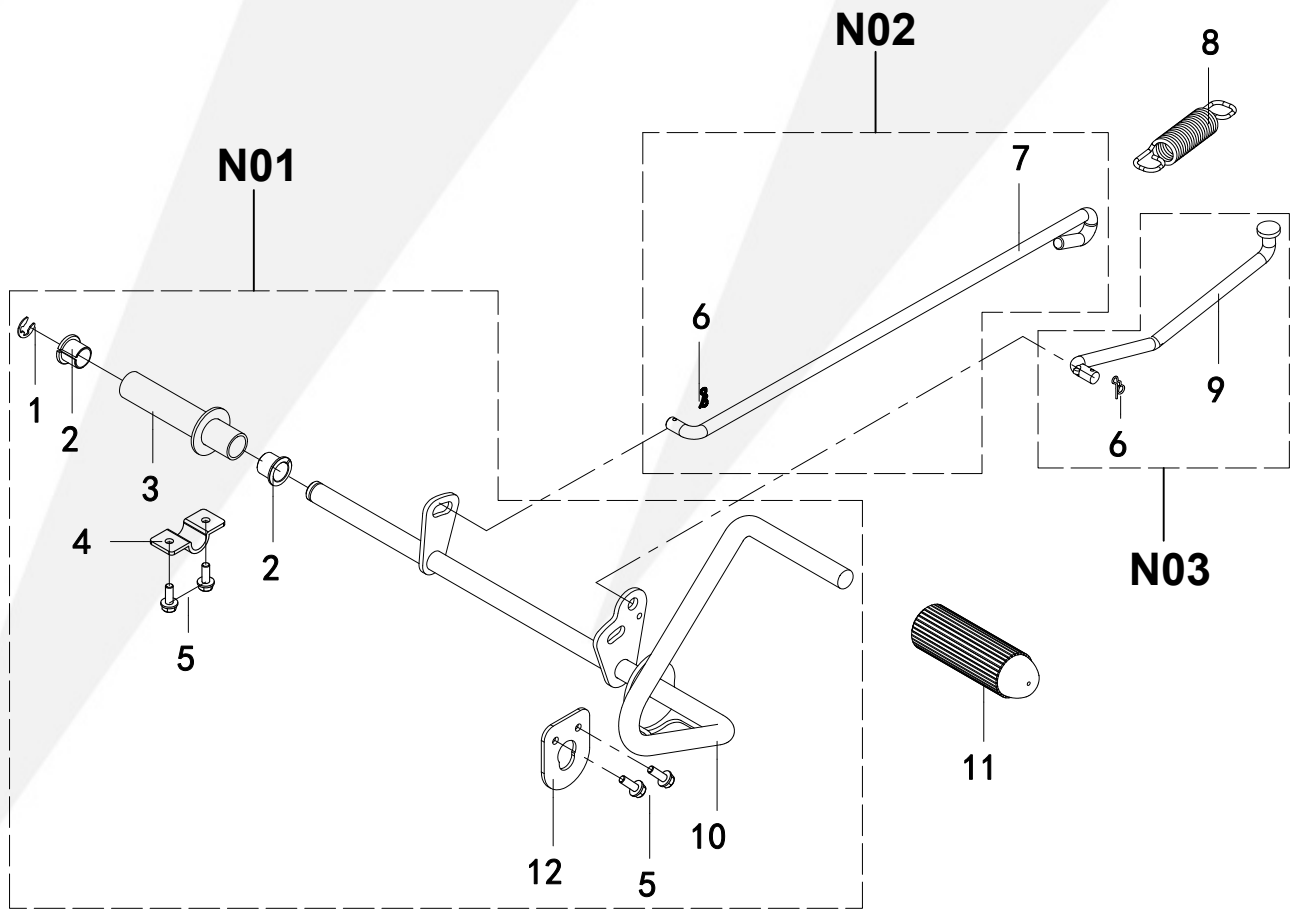
# Drive Tensioner Assembly



PARTS SOLD INDIVIDUALLY			
REF NO	PART NUMBER	PART DESCRIPTION	UNIQUE
5	2109100193A	Tension Pulley	
6	2109100190A	Tension Pulley	

PARTS SOLD AS KITS							
REF NO	PART NUMBER	PART DESCRIPTION	QTY	UNIQUE	KIT	KIT PN	KIT NAME
1	3091304012	Hex Head Bolt M10 x 30	1		M01	2130200071	CVT Tensioning Plate Kit
2	30512050045000	Large Washer M10	4				
3	2103500206A	Bracket, Drive Belt Tension	1				
7	2102300201A	Spacer	1				
8	30313090085014	Hex Lock Nut	3				
4	2109800260A	Tension Plate Spring	1		M02	2130200073	CVT Tensioning Plate Tension Spring Kit
9	2103100538A	Half Collar	1				

# Brake Assembly

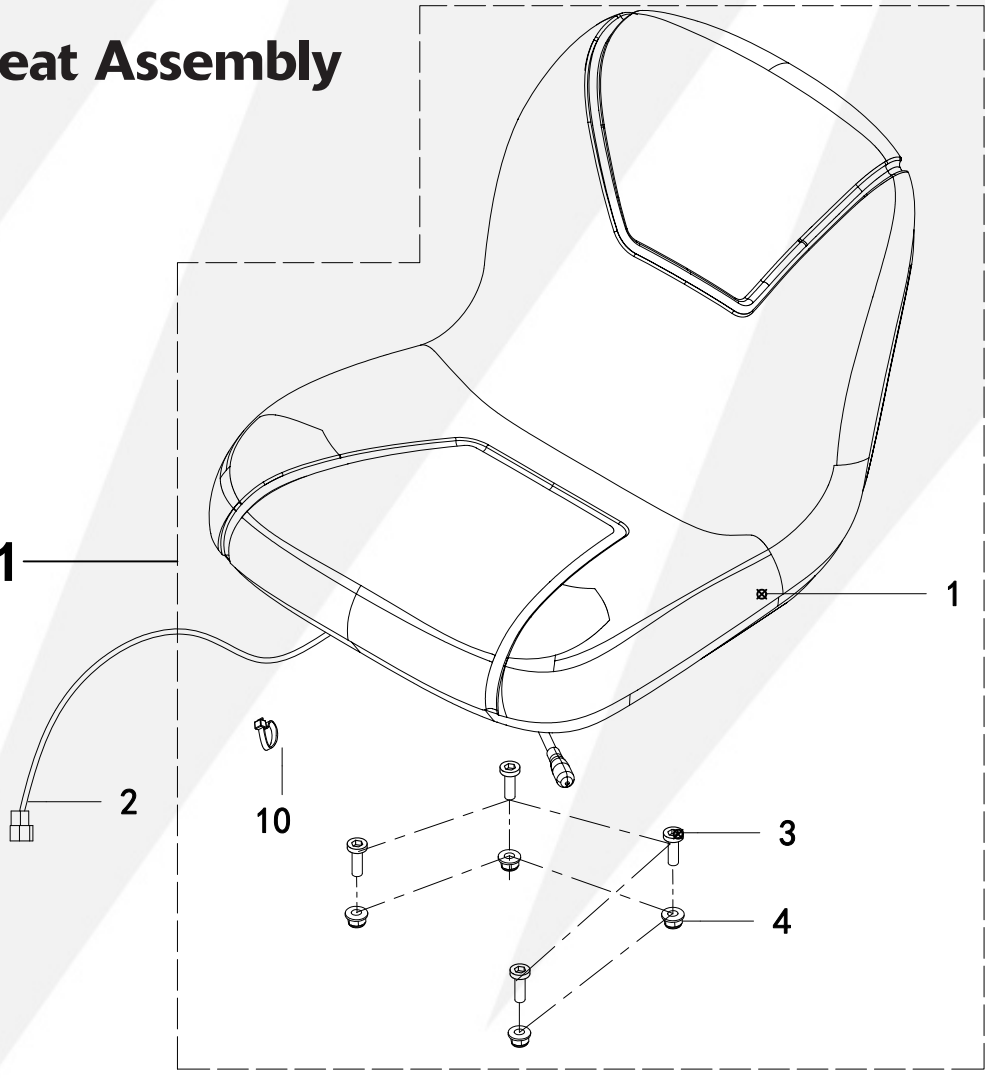


PARTS SOLD INDIVIDUALLY			
REF NO	PART NUMBER	PART DESCRIPTION	UNIQUE
8	2109800267A	Brake/Parking-Brake Engagement Spring	
11	21091001950001A	Brake Pedal Cover	

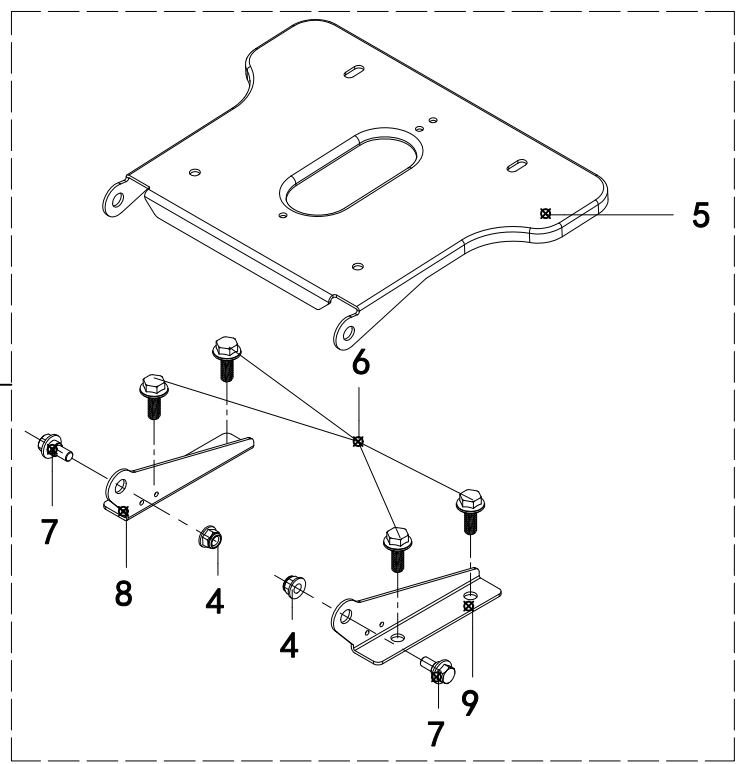
PARTS SOLD AS KITS							
REF NO	PART NUMBER	PART DESCRIPTION	QTY	UNIQUE	KIT	KIT PN	KIT NAME
1	3043301006	Retaining Clip	1		N01	2130200075	Brake Pedal Kit
2	21091001860001A	Brake Pedal Spacer	2				
3	2109300224A	Brake Pedal Bushing	1				
4	2106300391A	Brake Pedal Inner Mount	1				
5	3091308005	Hex Head Flange Bolt M6 x 16	4				
10	2106500018A	Brake Pedal Weldment	1				
12	2109300214A	Brake Pedal Lower Fixing Plate	1				
6	23093000195000B	Cotter Pin	1		N02	2130200077	Brake Rod Kit
7	2109300225A	Brake Connecting Rod	1				
6	23093000195000B	Cotter Pin	1		N03	2130200078	Tension Rod Kit
9	2109300229A	Drive Belt Tension Release Rod	1				

# Seat Assembly

**O01**



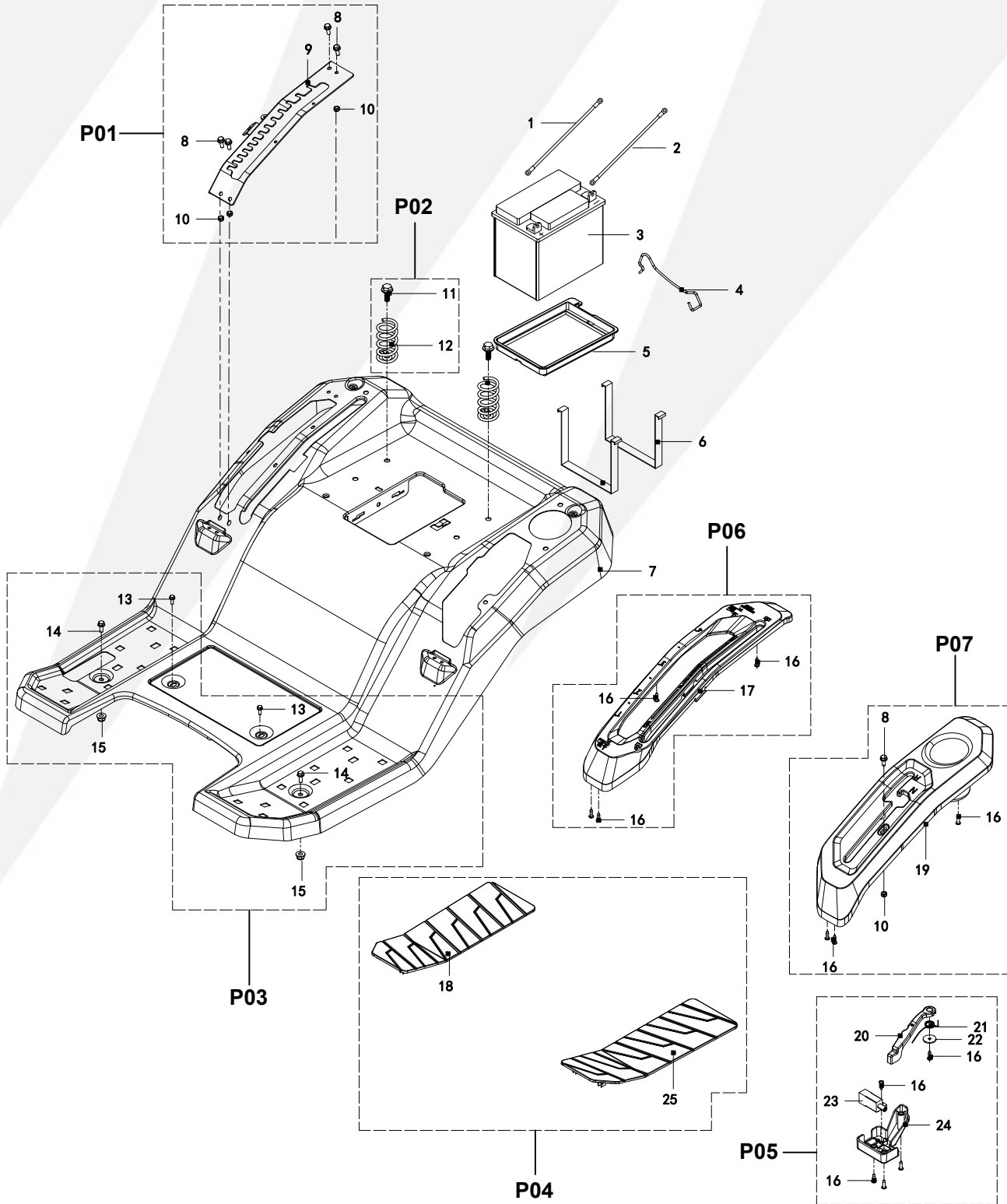
**O02**



PARTS SOLD INDIVIDUALLY			
REF NO	PART NUMBER	PART DESCRIPTION	UNIQUE
2	2108900346A	Seat Switch Cable	

PARTS SOLD AS KITS							
REF NO	PART NUMBER	PART DESCRIPTION	QTY	UNIQUE	KIT	KIT PN	KIT NAME
1	H2109900144A	Seat Assembly	1		O01	H2130200082	Seat Kit
3	3022301013	Hex Screw M8 x 20	4				
4	30323040025014	Hex Flange Lock Nut M8	4				
10	2013900143	Nylon Cable Tie	1				
4	30323040025014	Hex Flange Lock Nut M8	2		O02	2130200084	Seat Tray Kit
5	21093001580001A	Bracket, Seat Tilt	1				
6	2109300239A	Bolt, Hex Head Flange M10 x 18	4				
7	2109300240A	Bolt, Specialty M8 x 26	2				
8	21093001590001A	Seat Right Bracket	1				
9	22892000020001A	Seat Left Bracket	1				

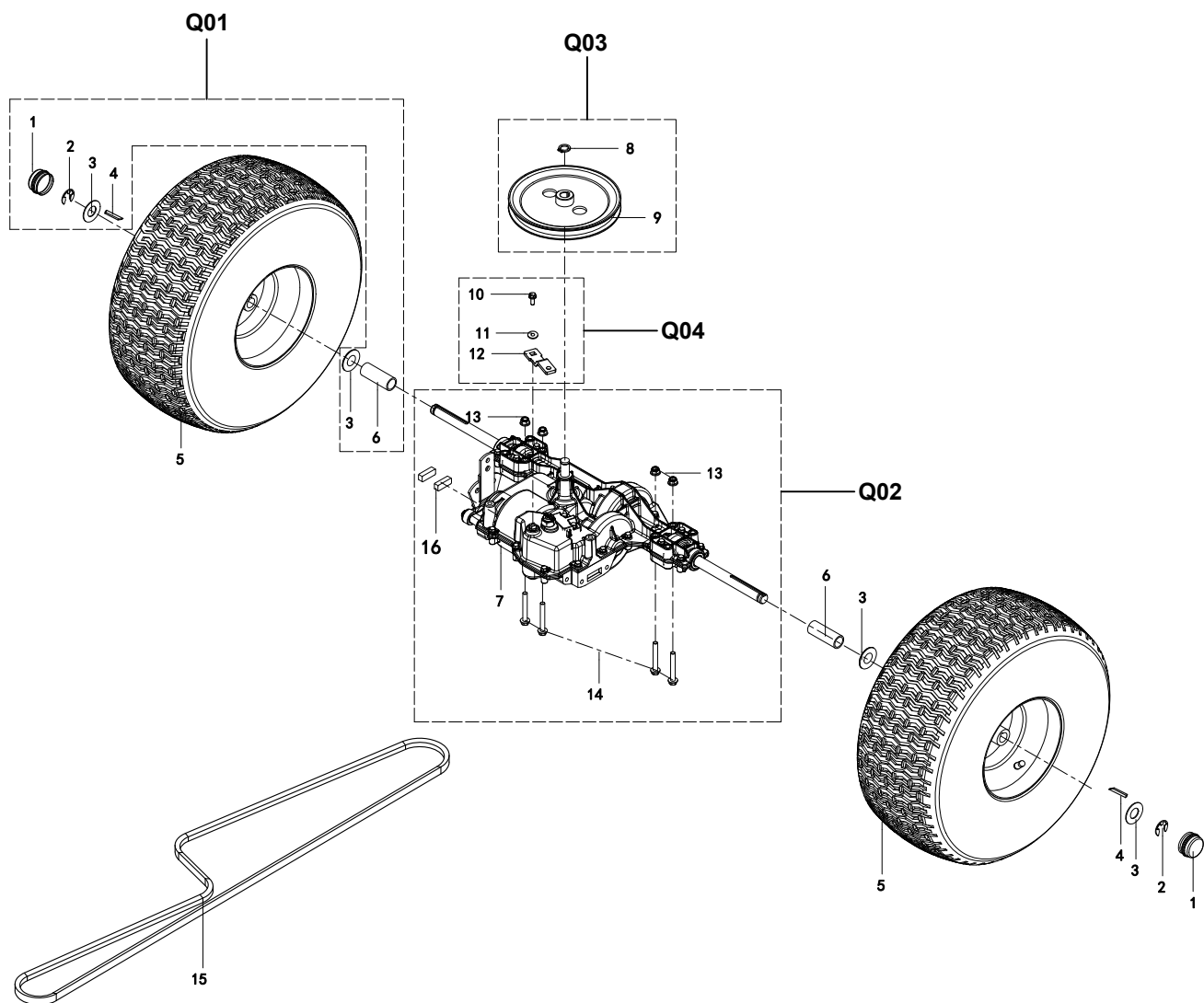
# Rear Fender Assembly



PARTS SOLD INDIVIDUALLY			
REF NO	PART NUMBER	PART DESCRIPTION	UNIQUE
1	2108900299A	Positive Power Cord	
2	2108900304A	Negative Power Cord	
3	2108900233A	Starter Battery	
4	2103200434A	Battery Hold Down Rod	
5	21091002290001A	Battery Tray	
6	2103300148A	Bracket, Battery Holder	
7	21092001110001A	Rear Fender Assembly	

PARTS SOLD AS KITS							
REF NO	PART NUMBER	PART DESCRIPTION	QTY	UNIQUE	KIT	KIT PN	KIT NAME
8	3091308005	Hex Head Flange Bolt M6 x 16	4		P01	2130200085	Shift Plate Kit
9	21092001170001A	Height-of-Cut Plate	1				
10	30313090035014	Hex Lock Nut M6	4				
11	2109300239A	Bolt, Hex Head Flange M10 x 18	1		P02	2130200086	Seat Spring Kit
12	2109800239A	Seat Spring	1				
13	23033000485014A	Bolt, Hex Head Flange M6 x 16	2		P03	2130200087	Fixing Bolt Kit
14	30913070165000	Bolt, Hex Head Flange M8 x 16	2				
15	30323040025014	Hex Flange Face Lock Nut M8	2				
18	21091002120001A	Right Foot Pad	1		P04	2130200088	Left And Right Foot Rest Kit
25	21091002110001A	Left Foot Pad	1				
16	A26800105502	Self-Tapping Screws	5		P05	H2130200089	Gear Trigger Kit
20	21091002010001A	Engine Cut Off Lever	1				
21	2109800266A	Torsion Spring	1				
22	2109300161A	Flat Gasket	1				
23	H2288900002A	Engine Cut Off Switch	1				
24	21091002000001A	Engine Cut Off Mount	1				
16	A26800105502	Self-Tapping Screws	4		P06	2130200090	Height Adjustment Decorative Cover Kit
17	21091002140001A	Height Adjustment Decorative Cover	1				
8	3091308005	Hex Head Flange Bolt M6 x 16	1		P07	2130200092	Shift Decorative Cover Kit
10	30313090035014	Hex Lock Nut M6	1				
16	A26800105502	Self-Tapping Screws	3				
19	21091002130001A	Shift Decorative Cover	1				

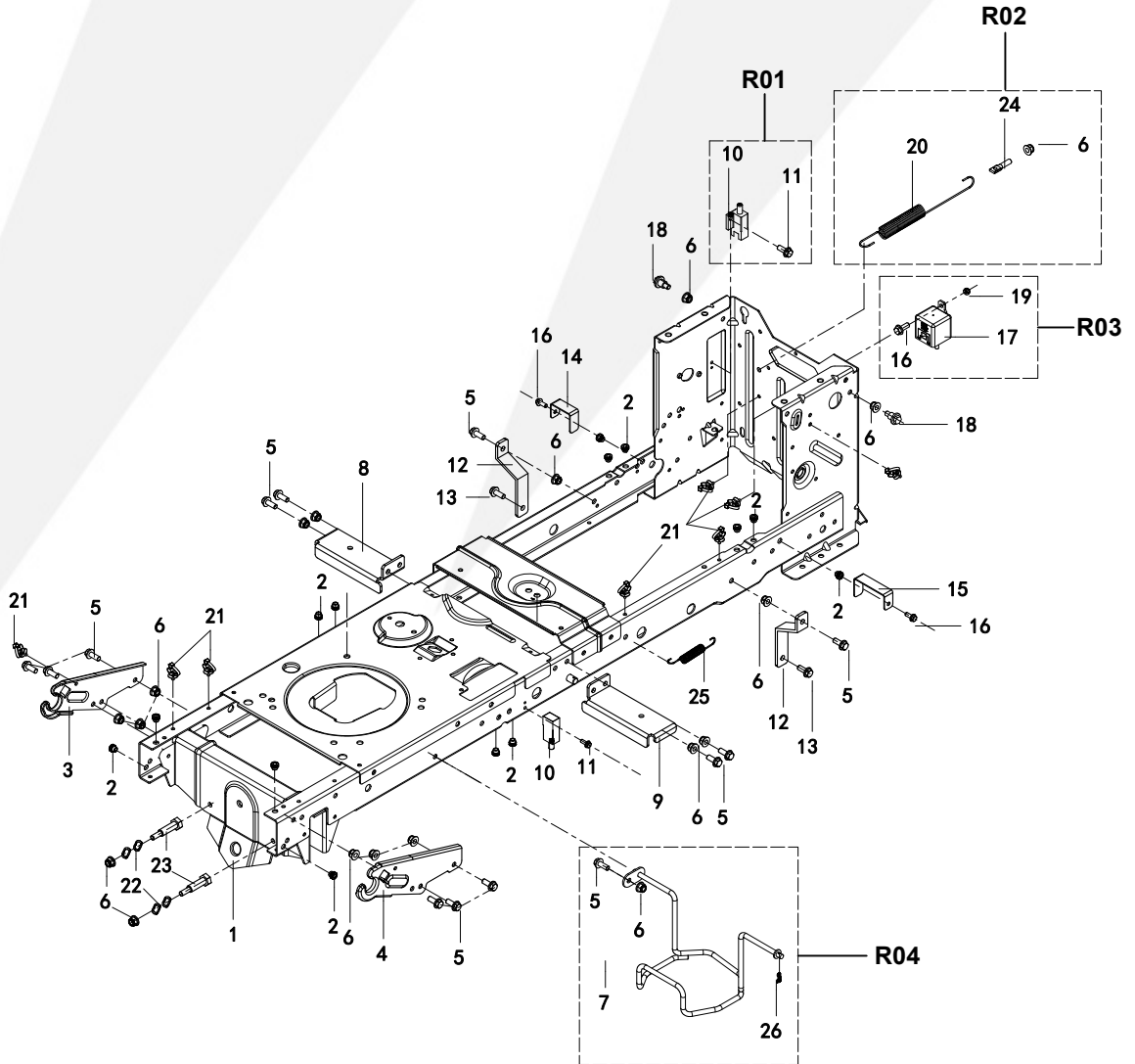
# Rear Axle Assembly



PARTS SOLD INDIVIDUALLY			
REF NO	PART NUMBER	PART DESCRIPTION	UNIQUE
5	2101900017A	20" Wheel Assembly	
15	2109600036A	Mowing Belt	

PARTS SOLD AS KITS							
REF NO	PART NUMBER	PART DESCRIPTION	QTY	UNIQUE	KIT	KIT PN	KIT NAME
1	2109100204A	Axle End Cap	1		Q01	2130200094	Rear Wheel Flat Key Kit
2	3043301006	Retaining Ring	1				
3	2109300236A	Large Washer	2				
4	A26809007101	Axle Shaft Key	1				
6	2102300202A	Axle Sleeve	1				
7	2102900067A	Transaxle, 6-Speed	1		Q02	2130200095	Transmission Kit
13	30323040025014	Hex Flange Face Lock Nut M8	4				
14	30913060025014	Bolt, Hex Head Flange M8 x 60	4				
16	2102400016A	Brake Pad	1				
8	3042301012	Retaining Ring	1		Q03	2130200097	Driven Pulley Kit
9	2109500008A	Transaxle Pulley	1				
10	2109900153A	Hex Head Flange Bolts	1		Q04	2130200099	Shift Adjustment Kit
11	3051302002	Washer	1				
12	2109200116A	Bracket, Shifter	1				

# Frame Assembly



PARTS SOLD INDIVIDUALLY			
REF NO	PART NUMBER	PART DESCRIPTION	UNIQUE
1	21035002050001A	Rack Assembly	
2	3033305002	Flat Head Rivet Nut	
3	21092001080001A	Hood Hinge, Right	
4	21092001070001A	Hood Hinge, Left	
5	30913070185014	Hex Flange Bolt, M8 x 20	
6	30323040025014	Hex Flange Lock Nut, M8	
8	21033001440001A	Right Pedal Bracket	
9	21033001450001A	Left Pedal Bracket	
10	H2288900002A	Engine Start Switch	
11	23033000485014A	Flange Triangle Self-Tapping Bolts	
12	2109200112A	Bracket, Transmission Support	
13	2109300243A	Bolt, Hex Head Flange 5/16-18	
14	2109200115A	Bracket, Drive Belt Retaining Right	
15	2109200113A	Bracket, Drive Belt Retaining Left	
16	3091308005	Hex Head Flange Bolts M6 x 16	
18	2109300234A	Step Bolt	
21	2103100497A	Fixed Threaded Cable Ties	
22	A26800706202	Washer	
23	2103900028A	Bolt, Specialty M8 x 55	
25	2109800284A	Brake Return Tension Spring	

PARTS SOLD AS KITS							
REF NO	PART NUMBER	PART DESCRIPTION	QTY	UNIQUE	KIT	KIT PN	KIT NAME
10	H2288900002A	Engine Start Switch	1		R01	H2130200100	Travel Switch Kit
11	23033000485000A	Self Tapping Bolt M16	1				
6	30323040025014	Hex Flange Lock Nut, M8	1		R02	2130200101	Height Adjustment Spring Kit
20	2109800256A	Height Adjustment Tension Spring	1				
24	2106300299A	Eye Bolt	1				
16	3091308005	Hex Flange Bolt, M6	1		R03	2130200103	Relay Kit
17	2108900236A	200A Relay	1				
19	30313090035014	Hex Lock Nut, M6	1		R04	2130200104	Belt Limit Lever Kit
5	30913070185014	Hex Flange Bolt, M8 x 20	1				
6	30323040025014	Hex Flange Lock Nut, M8	1				
7	2109300222A	Drive Belt Retaining Rod	1				
26	2269800006A	Cotter Pin	1				