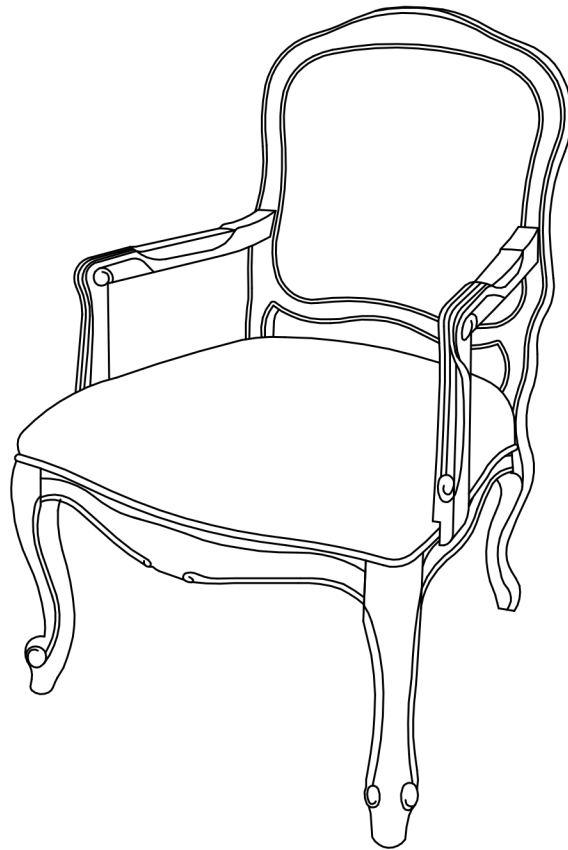


# Assembly Instructions



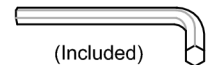
## ASSEMBLY RATING

The Assembly Rating is a 5-point system that shows the degree of effort needed in assembling a specific product (with 1 being easy and 5 being difficult). For some products, two persons are recommended.

EASY  DIFFICULT

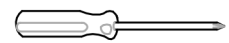
## Tools Required For Assembly:

Allen Wrench



(Included)

Phillips Screwdriver

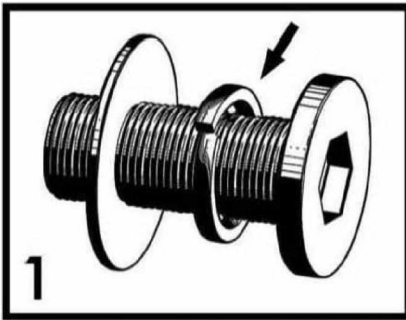


(Not Included)

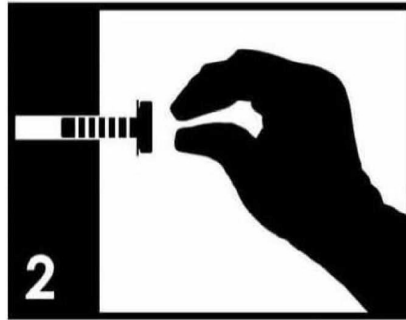
# ASSEMBLY & CARE ADVICE

FOR YOUR FURNITURE TO LAST, CORRECT ASSEMBLY AND PROPER MAINTENANCE ARE NECESSARY. PLEASE FOLLOW THE INFORMATION PROVIDED BELOW TO FULLY ENJOY YOUR FURNITURE.

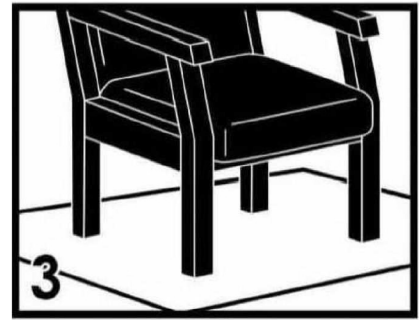
## BASIC ASSEMBLY TECHNIQUES



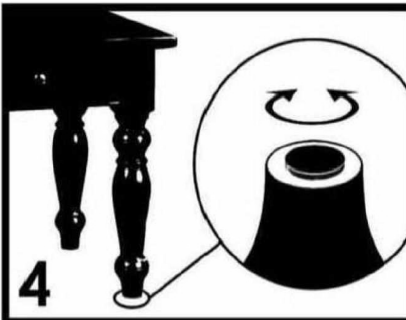
When lock or spring washer is used in an assembly, please make sure the lock or spring washer is placed between the larger flat washer and the head of the screw or bolt.



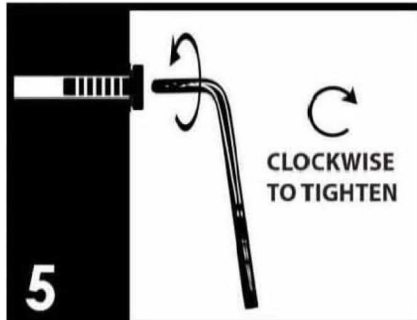
Position each part correctly and insert screws or bolts into their respective holes by hand tighten or using the proper hand tool. Only tighten when step is completed or when instructed to do so.



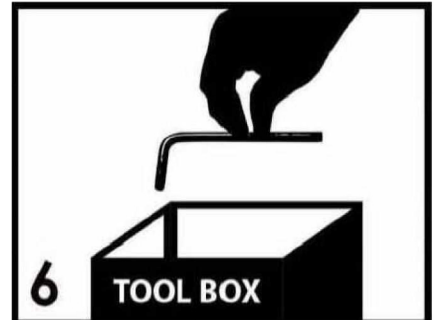
Use cardboard or carpet area when assembling furniture to prevent scratches. Make sure the furniture rests on a flat and level surface with each leg evenly touching the floor.



Some furniture comes with height adjustment knobs underneath each leg. To lower or to raise each leg, you need to turn clockwise or counterclockwise, respectively.



Make sure all parts are properly aligned, then use the appropriate hand tool to completely tighten the bolts or screws. Do not use power tools and do not overtighten.

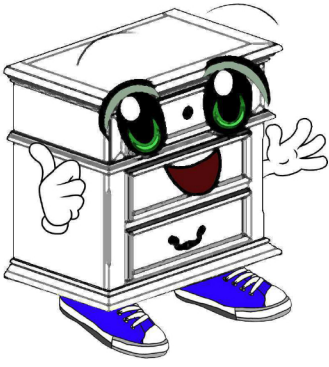


Save the instructions and store the Allen wrench or any supplied tool for later maintenance. After two weeks, check and tighten any loose hardware and repeat again every six months thereafter.

IT IS THE USER'S RESPONSIBILITY TO MAINTAIN THE FURNITURE. THE HARDWARE MAY LOOSEN OVER TIME AND MAY CAUSE THE FURNITURE TO BE WOBBLY AND UNABLE TO SUPPORT ITS INTENDED WEIGHT CAPACITY. THIS MAY LEAD TO COLLAPSE AND MAY CAUSE SERIOUS INJURY.



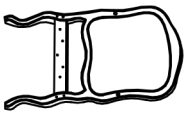
**FAILURE TO FOLLOW THE GUIDELINES ABOVE MAY RESULT IN INJURY AND/OR PROPERTY DAMAGE.**



Before you begin, please read Page 2 of "Assembly and Care Advice".

And remember, do not tighten until each step is completed or instructed.

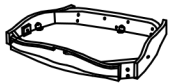
### Parts List



#1 x 1pc  
Backrest W/Legs



#2 x 1pc  
Cushion



#3 x 1pc  
Seat Frame



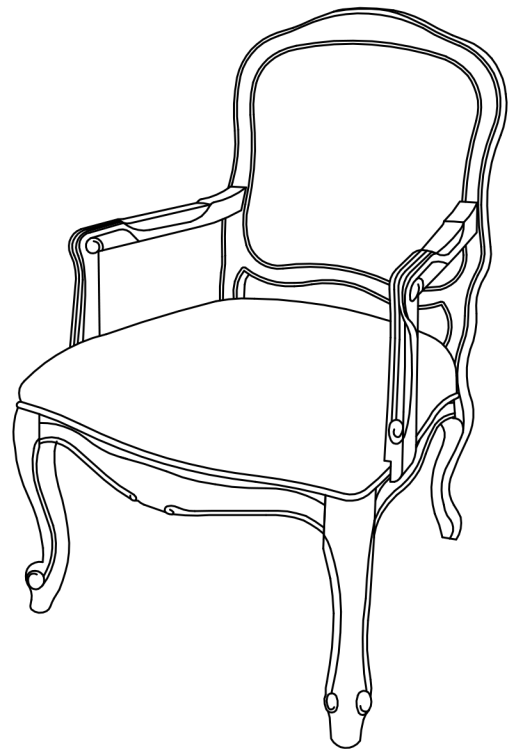
#4 x 1pc  
Left Accent

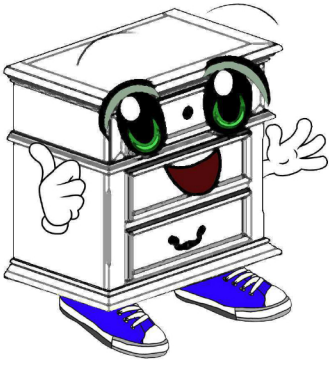


#5 x 1pc  
Right Accent



#6 x 2pcs  
Front Leg





Before you begin, please read Page 2 of "Assembly and Care Advice".

And remember, do not tighten until each step is completed or instructed.

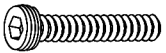
### Hardware List



#A x 11pcs  
Flat Washer 5/16"



#B x 11pcs  
Lock Washer 5/16"



#Cx 8pcs  
Bolt 5/16"X2-1/2"



#D x 3pcs  
Bolt 5/16"X1-3/4"



#E x 1pc  
Allen Wrench M5



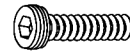
#F x 4pcs  
Flat Washer 1/4"



#Gx 4pcs  
Lock Washer 1/4"



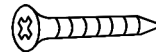
#Hx 2pcs  
Bolt 1/4"X1-1/2"



#I x 2pcs  
Bolt 1/4"X2"



#J x 1pc  
Allen Wrench M4



#K x 5pcs  
Screw

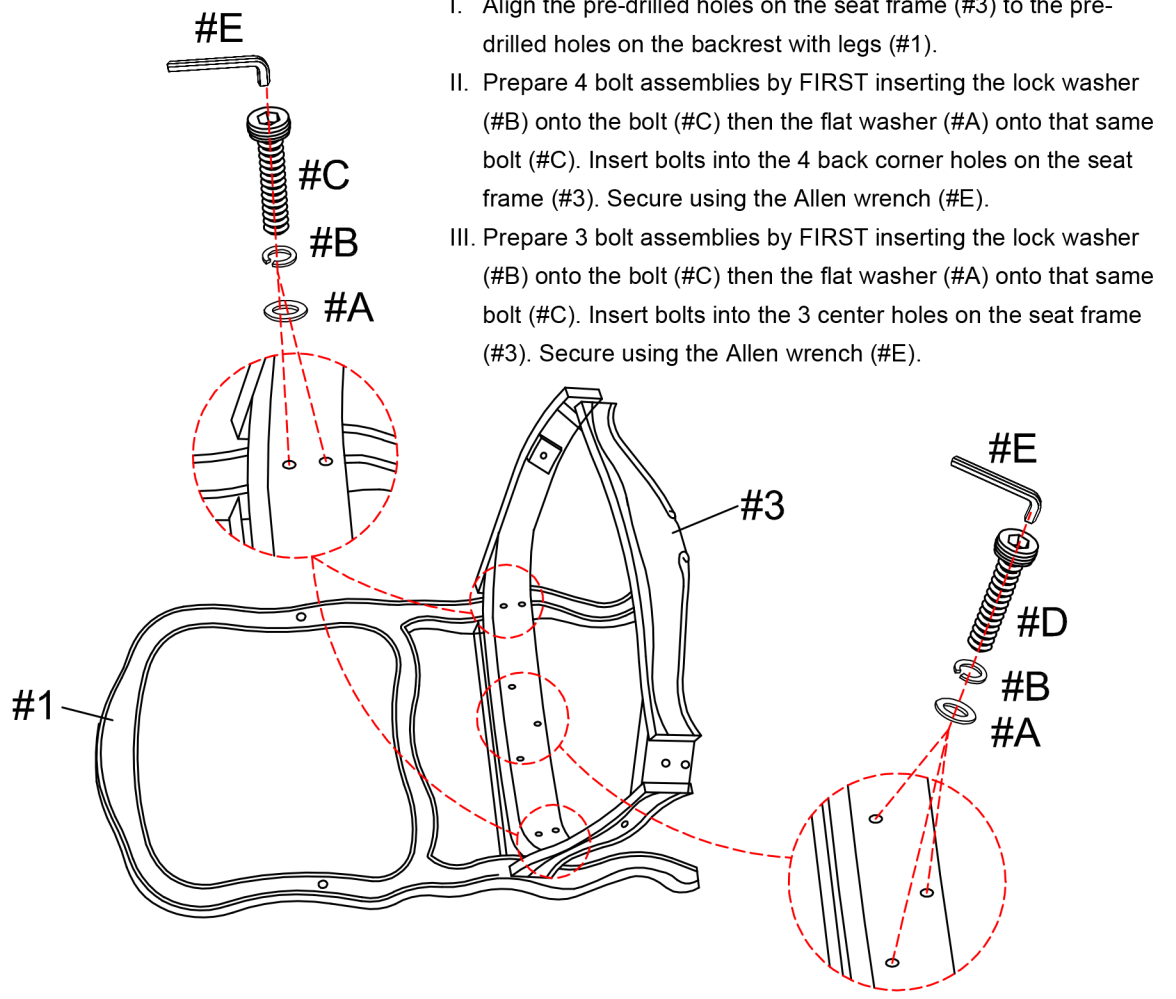


#L x 2pcs  
Plug

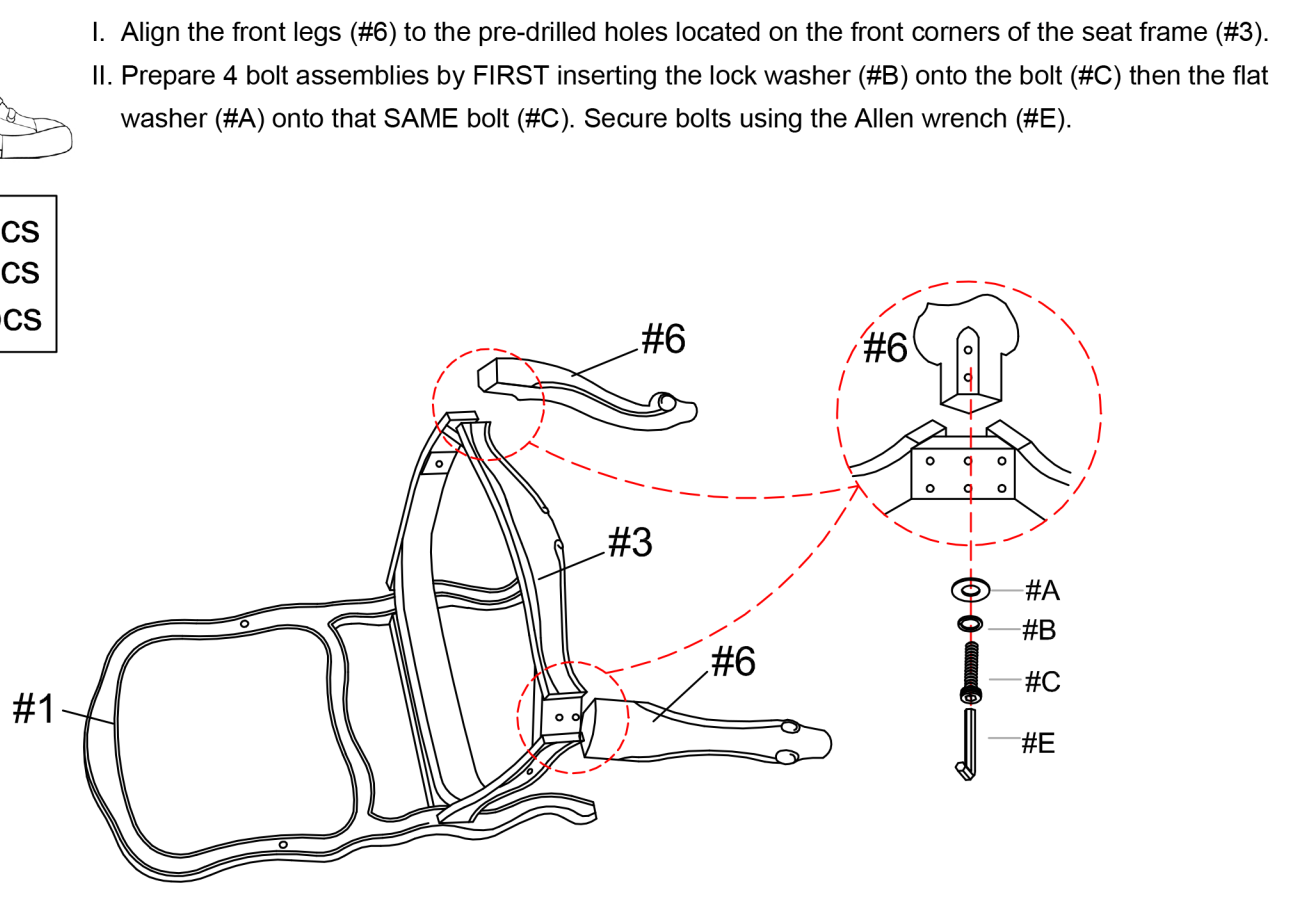




- #A x 7pcs
- #B x 7pcs
- #C x 4pcs
- #D x 3pcs

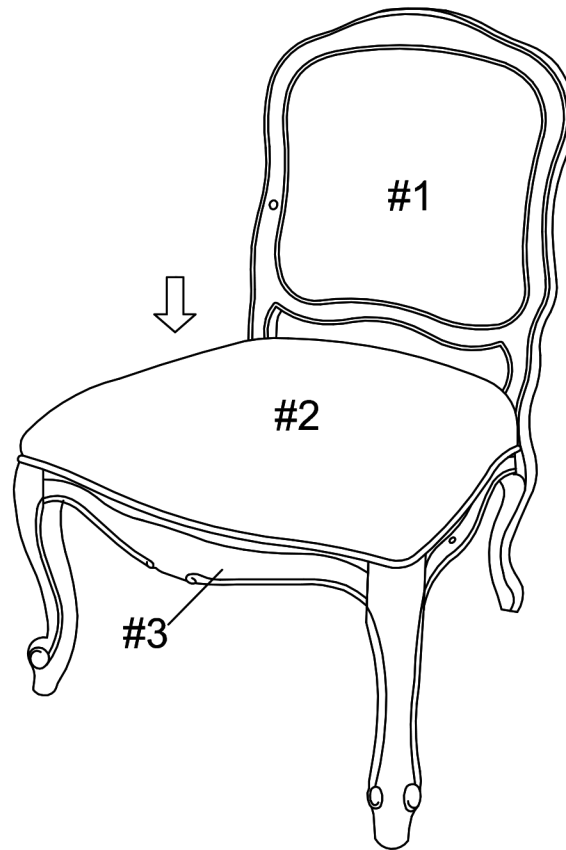


- #A x 4pcs
- #B x 4pcs
- #C x 4pcs



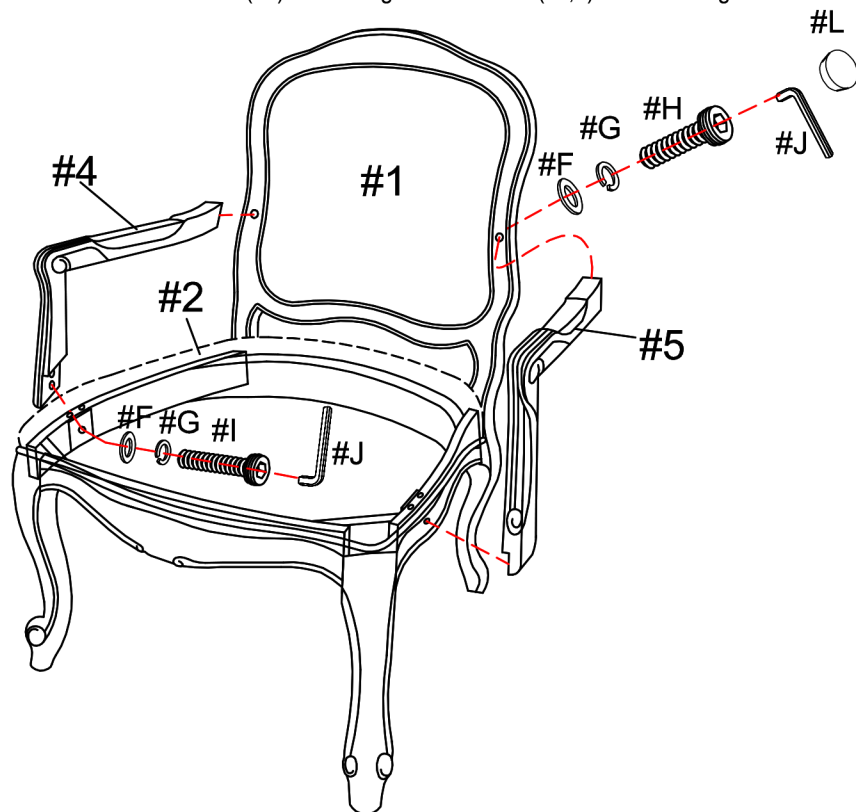


Apply cushion (#2) onto the seat frame (#3).



- I. Align the left and right accents (#4,5) to the pre-drilled holes on the backrest with legs (#1) and the seat frame (#3).
- II. Prepare 2 bolt assemblies by FIRST inserting the lock washer (#G) onto the bolt (#H) then the flat washer (#F) onto that SAME bolt (#H). Insert into the backrest with legs (#1) connecting to the accents (#4,5). Secure using the Allen wrench (#J).
- III. Prepare 4 bolt assemblies by FIRST inserting the lock washer (#G) onto the bolt (#H) then the flat washer (#F) onto that SAME bolt (#H). Insert into the seat frame (#3) connecting to the accents (#4,5). Secure using the Allen wrench (#J).

#F x 4pcs  
 #G x 4pcs  
 #H x 2pcs  
 #I x 2pcs  
 #L x 2pcs



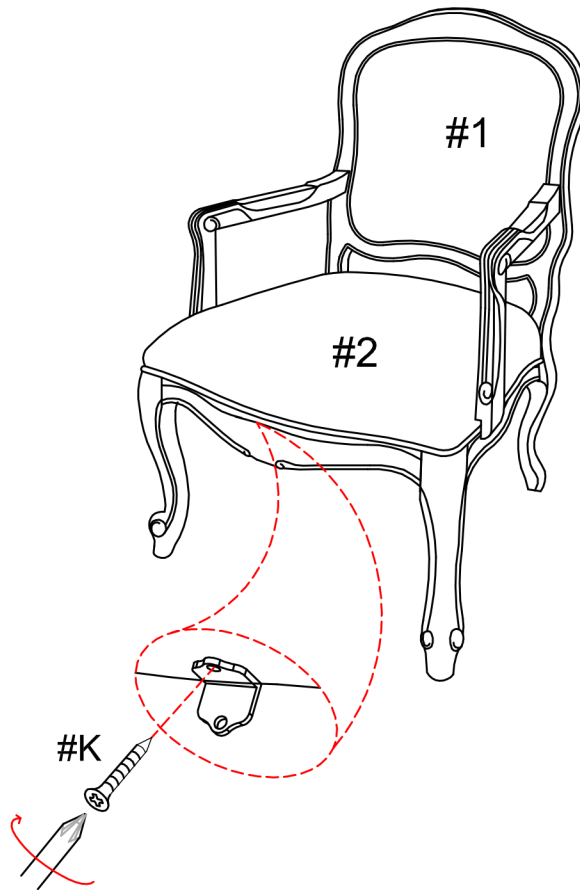
Note: Left and right is determined by facing the front of the chair in its upright position.



#5

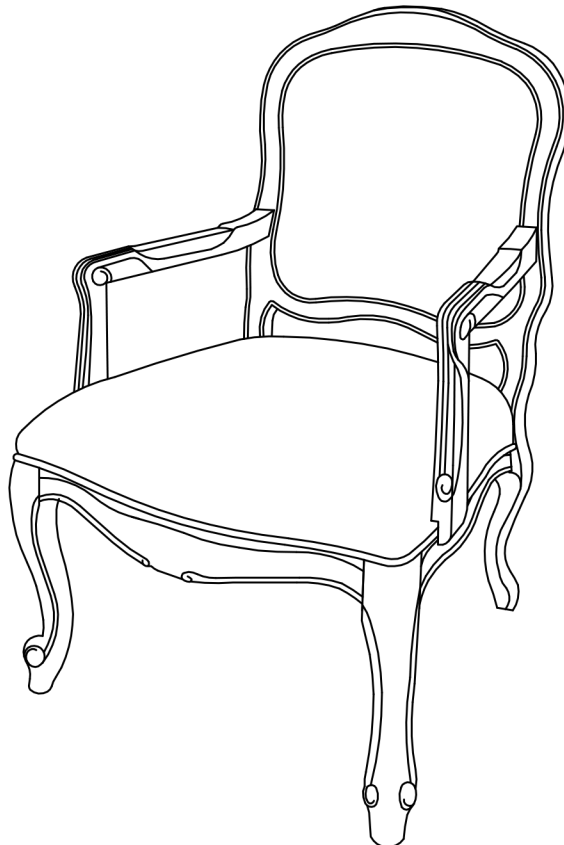
#K x 5pcs

Insert 5 screws (#K) into the bottom of the cushion (#2) to secure with the seat frame (#3). Use the Phillips screwdriver to secure.



#6

Carefully turn the completed chair upright. Make sure the chair is rested on a flat surface and does not feel loose or wobbly. If it does, double check that the bolts are secured and properly tightened.



ASSEMBLY IS COMPLETED